

HYDAC INTERNATIONAL

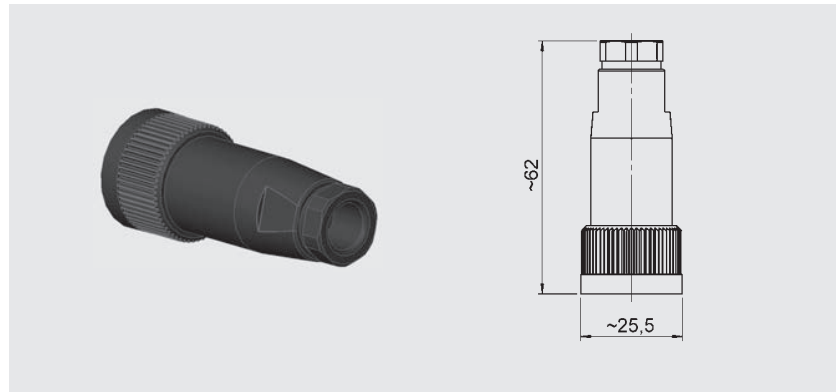
Electrical Accessories

Female Connectors for Sensors

With electrical connection type "4":
(Male Binder series 714 M18)

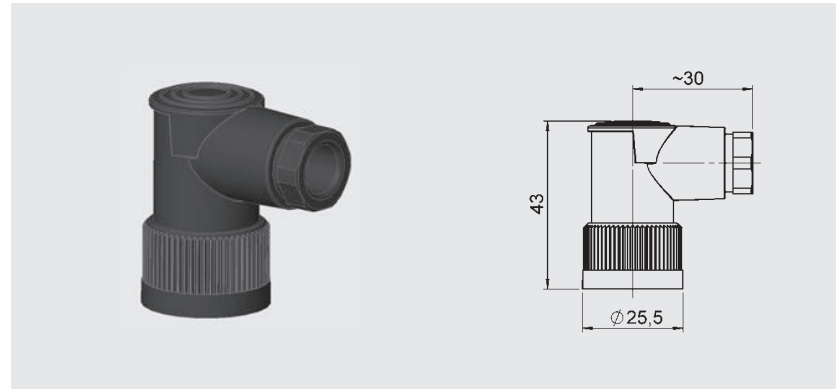
ZBE 02

Female connector
Binder series 714 M18
4 pole, straight
Part No.: 609479



ZBE 03

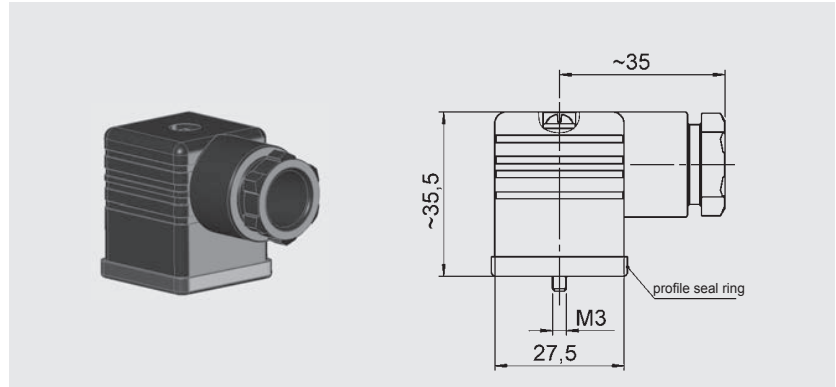
Female connector
Binder series 714 M18
4 pole, right-angle
Part No.: 609480



ZBE 01

Female connector
DIN 43560 / ISO 4400
3 pole + PE, right-angle
Part No.: 905701

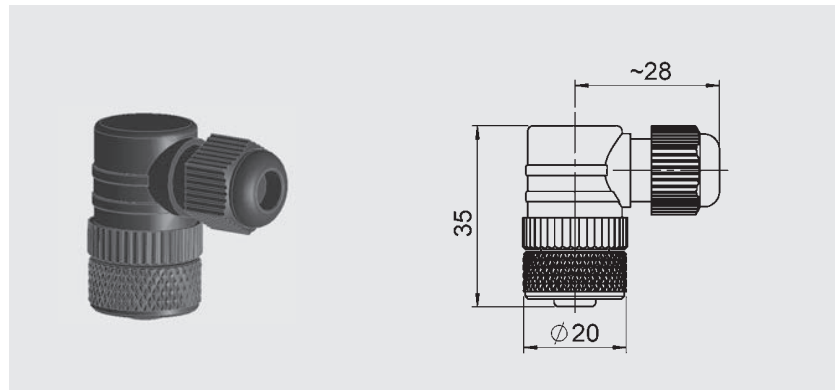
With electrical connection type "5":
(Male DIN 43650 / ISO 4400)



ZBE 06

Female connector M12x1
4 pole, right-angle
Part No.: 6006788

With electrical connection type "6":
(Male M12x1, 4 pole)



ZBE 06-02

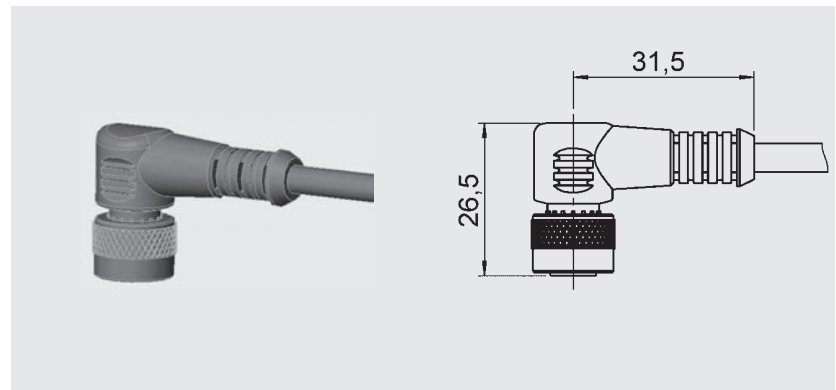
Female connector M12x1
4 pole, right-angle
with 2 m cable
Part No.: 6006790

ZBE 06-05

Female connector M12x1
4 pole, right-angle
with 5 m cable
Part No.: 6006789

Colour code:

Pin 1: brown
Pin 2: white
Pin 3: blue
Pin 4: black

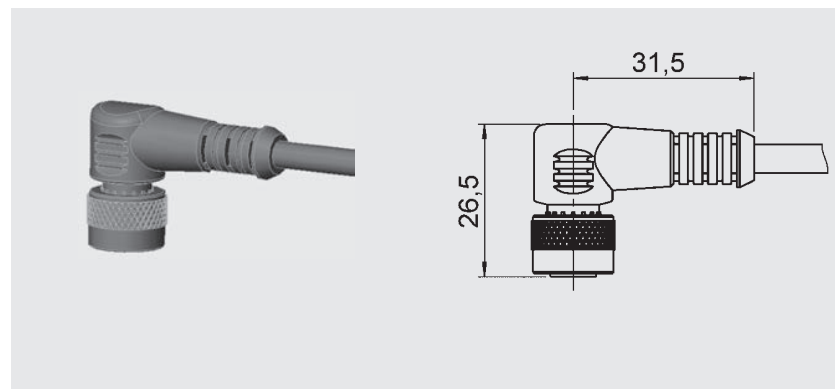


ZBE 06S-05

Female connector M12x1
4 pole, right-angle
with 5 m cable, screened
Part No.: 6044891

Colour code:

Pin 1: brown
Pin 2: white
Pin 3: blue
Pin 4: black

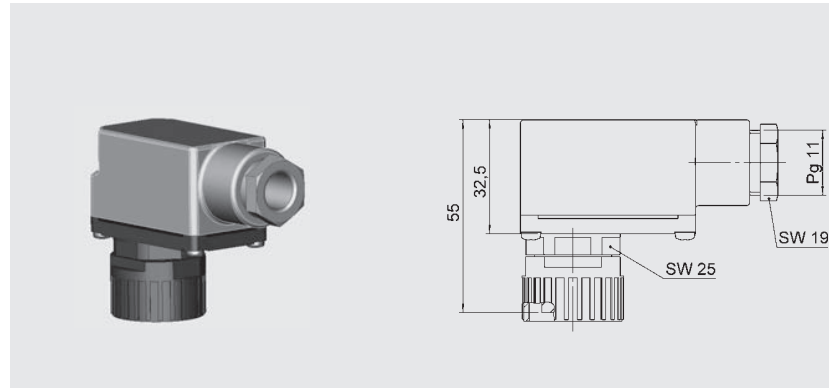


E 18.362.1/03.11

ZBE 10

Female connector DIN 43651
6 pole + PE, right-angle
Part No.: 654527

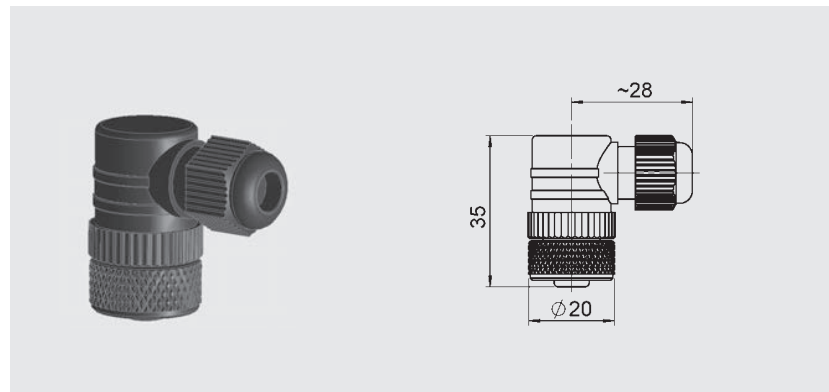
**With electrical connection type "7":
(Male DIN 43651)**



ZBE 08

Female connector M12x1
5 pole, right-angle
Part No.: 6006786

**With electrical connection type "8":
(Male M12x1, 5 pole)**



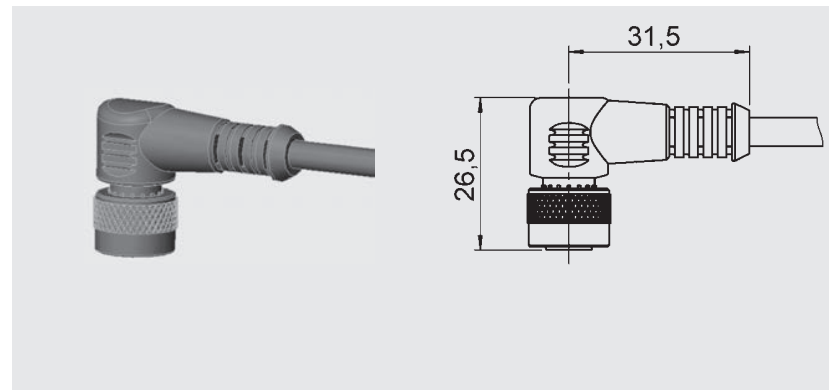
ZBE 08-02

Female connector M12x1
5 pole, right-angle
with 2 m cable
Part No.: 6006792

ZBE 08-05

Female connector M12x1
5 pole, right-angle
with 5 m cable
Part No.: 6006791

Colour code:
Pin 1: brown
Pin 2: white
Pin 3: blue
Pin 4: black
Pin 5: grey



ZBE 08S-02

Female connector M12x1
5 pole, right-angle
with 2 m cable, screened
Part No.: 6019455

ZBE 08S-05

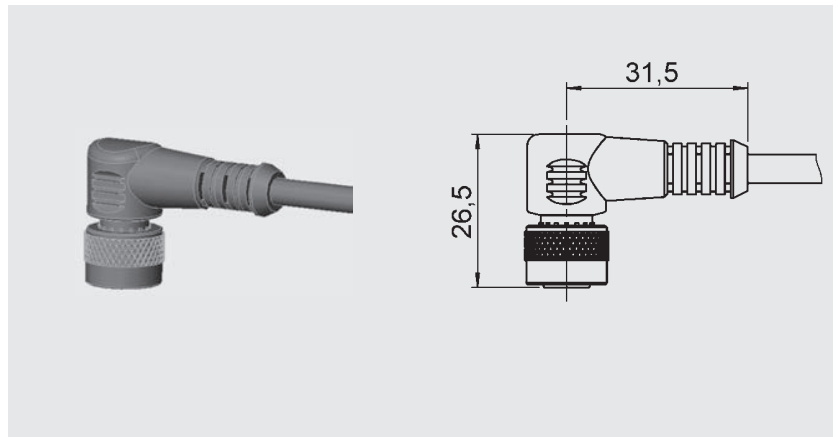
Female connector M12x1
5 pole, right-angle
with 5 m cable, screened
Part No.: 6019456

ZBE 08S-10

Female connector M12x1
5 pole, right-angle
with 10 m cable, screened
Part No.: 6023102

Colour code:

Pin 1: brown
Pin 2: white
Pin 3: blue
Pin 4: black
Pin 5: grey

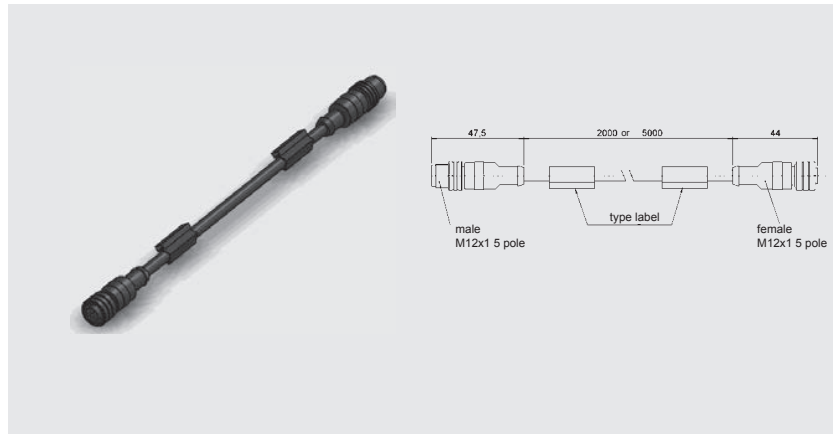


ZBE 30-02

Connection cable M12x1
plug/socket
5 pole 2 m
Part No.: 6040851

ZBE 30-05

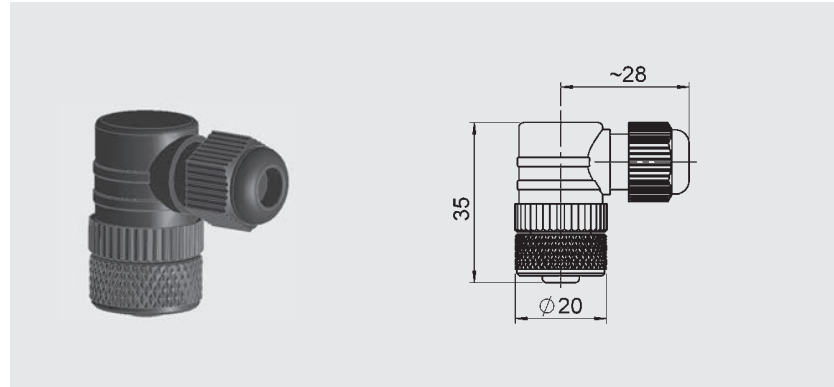
Connection cable M12x1
plug/socket
5 pole 5 m
Part No.: 6040852



ZBE 0P

Female connector M12x1
8 pole, right-angle
Part No.: 6055444

**With electrical connection type "P":
(Male M12x1, 8 pole)**



ZBE 0P-02

Female connector M12x1
8 pole, right-angle
with 2 m cable
Part No.: 6052697

ZBE 0P-05

Female connector M12x1
8 pole, right-angle
with 5 m cable
Part No.: 6052698

Colour code:

Pin 1: white
Pin 2: brown
Pin 3: green
Pin 4: yellow
Pin 5: grey
Pin 6: pink
Pin 7: blue
Pin 8: red

