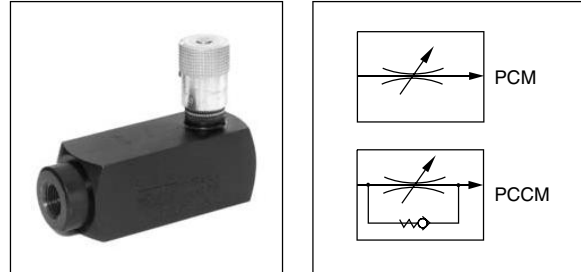


Flow Control Valve
 Series PCM / 9PCM

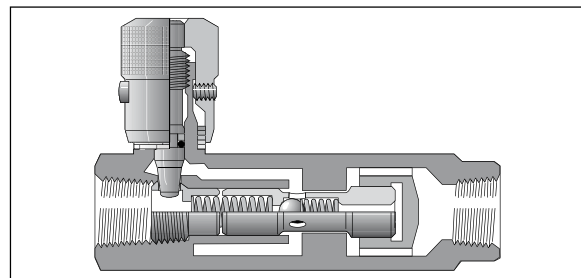
Characteristics / Ordering Code

Manatrol 2 way flow control valves for pressure compensated regulation of the flow rate. As a consequence of pressure changes, the set value can vary by $\pm 5\%$ within the tolerance range. Viscosity changes have the same effect and are to be observed.


Technical data

Size	Max. press. [bar]	Flow control		Check valve		Weight [kg]
		Q* [l/min]	Δp [bar]	Q _{max} [l/min]	Δp [bar]	
400	210	1 - 10	7	20	3	0.82
600	210	2 - 25	7	30	3	1.05
800	210	6 - 60	11	75	8	1.68
1200	210	10 - 100	11	130	8	3.64
1600	210	19 - 190	11	250	10	6.59

* Min. and max. flow rate

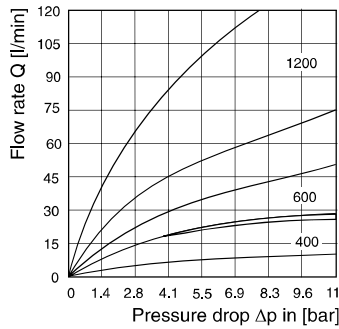

Ordering code

<input type="checkbox"/>	PC	<input type="checkbox"/>	M	<input type="checkbox"/>	S	<input type="checkbox"/>	<input type="checkbox"/>	<input type="checkbox"/>
Thread type	Press. comp. flow control valve	Design	Thread size	Steel body	Clamping screw	Seal	Design series (is determined by factory)	
Code	Thread					Code	Seal	
omit	NPTF					omit	NBR	
9	BSPP					V	FPM	
Code	Design					Code	Clamping screw	
omit	Without check valve					omit	Hexagon socket	
C	With check valve					F	With knurled knob	
						T ²⁾	Tamper-proof	
Code	Size					2) not available above size 1200		
400	1/4							
600	3/8							
800	1/2							
1200	3/4							
1600	1							

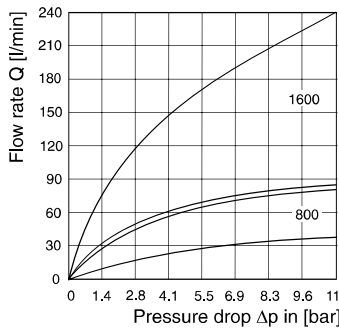
Bold letters = Short-term availability

PCM-9PCM_UK.INDD RH_26.11.07

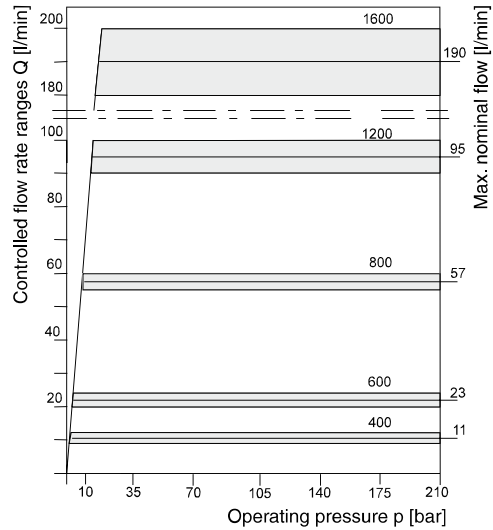

Parker Hannifin GmbH & Co. KG
 Hydraulic Controls Division
 Kaarst, Germany

Characteristic Curves / Dimensions
**Flow Control Valve
Series PCM / 9PCM**
 $\Delta p/Q$ curves


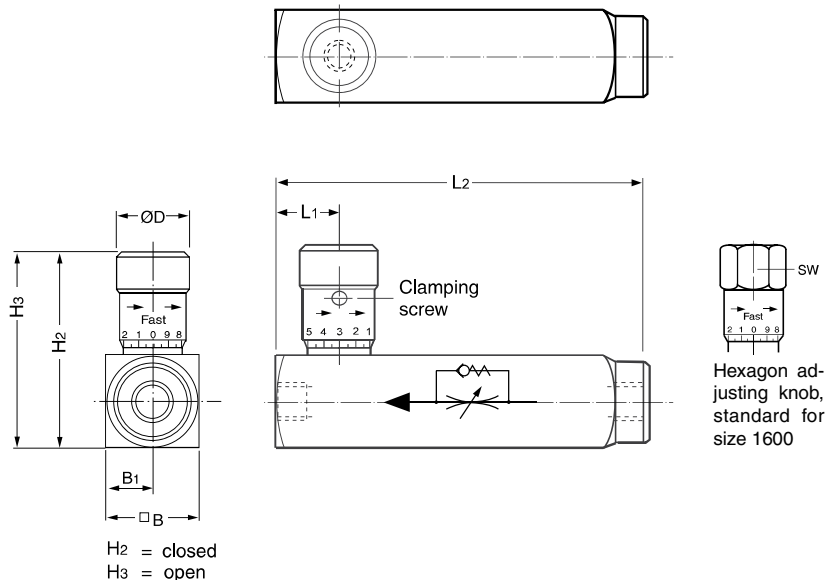
Sizes 400, 600 and 1200:
Pressure drop Δp for flow through check valve in range Q_{max}/Q_{min} with each size



Sizes 800 and 1600:
Pressure drop Δp for flow through check valve in range Q_{max}/Q_{min} with each size

Size 400 - 1600 p/Q control characteristic


The curves refer to hydraulic oil of 33 cSt / 50°C.

Dimensions


Size	R*	H3	H2	B	L1	B1	L2	ØD	SW
400	1/4	69	64	35	16	18	92	21	-
600	3/8	80	74	38	18	19	106	25	-
800	1/2	103	95	44	22	22	125	30	-
1200	3/4	128	116	57	28	29	149	35	-
1600	1	175	158	70	33	35	176	-	47.8

* Pipe thread G or NPTF

PCM-9PCM_UK.INDD RH_26.11.07



Parker Hannifin GmbH & Co. KG
 Hydraulic Controls Division
 Kaarst, Germany