

Catalogue HY29-0001/UK  
**T7D / T7DS - Ordering Code**

**Industrial Vane Pumps**  
**T7/T67/T6C**

**Model No.** T7D\* or T7DS - B42 - 1 R 00 - A 1 - M0 - ..

**T7D series - 125 A2 HW**  
 ISO 2 bolts 3019-2 mounting flange  
**T7DS series - SAE C 2 bolts**  
 J744 mounting flange  
 \* Rear drive option available, please contact Parker Denison

**Displacement**  
 Volumetric displacement (ml/rev.)  
 B14 = 44,0 B31 = 99,2  
 B17 = 55,0 B35 = 113,4  
 B20 = 66,0 B38 = 120,6  
 B22 = 70,3 B42 = 137,5  
 B24 = 81,1 045 = 145,7  
 B28 = 90,0 050 = 158,0

**Type of shaft T7D - T7DS**  
 5 = keyed (ISO 3019-2 - G32M)

**Type of shaft T7DS**  
 1 = keyed (SAE C) Ø 31,7  
 2 = keyed (non SAE)  
 3 = splined (SAE C) 14 teeth  
 4 = splined (non SAE)

**Modifications**

**Mounting w/connection variables**  
 4 bolts SAE flange J518

	P = 1.1/4" - S = 2"	
	Metric thread	UNC thread
T7D	M0	
T7DS	M0	Y0 <sup>1)</sup> 00

<sup>1)</sup> 250 bar max. int.

**Seal class**

1 = S1 BUNA N - 0,7 bar max. (for mineral oil)  
 4 = S4 EPDM - 7 bar max. (for fire resistant fluids)  
 5 = S5 VITON® - 7 bar max. (for mineral oil and fire resistant fluids)

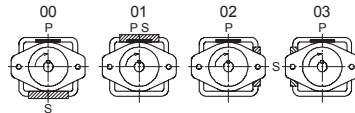
**Design letter**

**Porting combination**  
 00 = standard

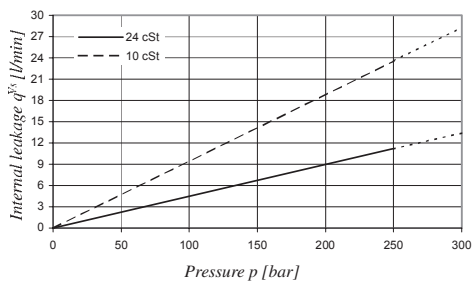
**Direction of rotation (shaft end view)**

R = Clockwise  
 L = Counter-clockwise

P = Pressure port  
 S = Suction port

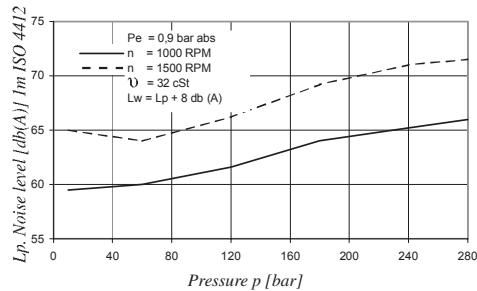


**INTERNAL LEAKAGE (TYPICAL)**

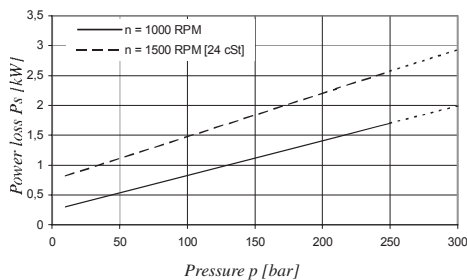


Do not operate pump more than 5 seconds at any speed or viscosity if internal leakage is higher than 50% of theoretical flow.

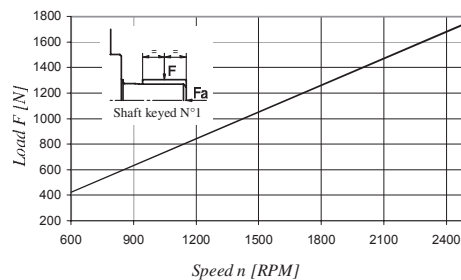
**NOISE LEVEL (TYPICAL) - T7D - B31**



**POWER LOSS HYDROMECHANICAL (TYPICAL)**



**PERMISSIBLE RADIAL LOAD**

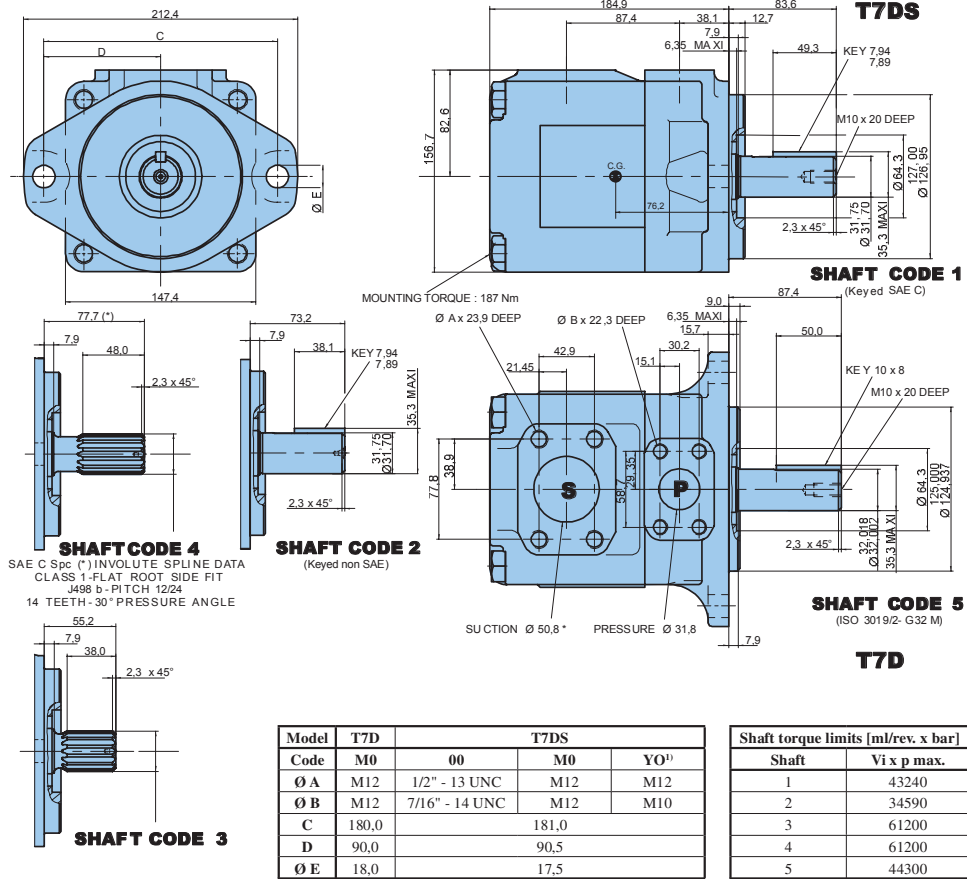


Catalogue HY29-0001/UK

Industrial Vane Pumps

T7D/DS - Dimensions - Weight : 26,0 kg

T7/T67/T6C



**OPERATING CHARACTERISTICS - TYPICAL [24 cSt]**

Pressure port	Series	Vi Volumetric displacement	Flow q <sub>v</sub> [l/min] & n = 1500 RPM			Input power P [kW] & n = 1500 RPM		
			p = 0 bar	p = 140 bar	p = 300 bar	p = 7 bar	p = 140 bar	p = 300 bar
T7D T7DS	B14	44,0 ml/rev	66,0	59,4	51,9	1,5	16,6	34,2
	B17	55,0 ml/rev	82,5	75,9	68,4	1,7	20,4	42,4
	B20	66,0 ml/rev	99,0	92,4	84,9	1,9	24,3	50,7
	B22	70,3 ml/rev	105,5	98,8	91,3	2,0	25,8	53,9
	B24	81,1 ml/rev	121,7	115,0	107,5	2,2	29,5	62,0
	B28	90,0 ml/rev	135,0	128,4	120,9	2,3	32,7	68,7
	B31	99,2 ml/rev	148,8	142,2	134,7	2,5	35,9	75,6
	B35	113,4 ml/rev	170,1	163,5	156,9 <sup>1)</sup>	2,7	40,8	80,5 <sup>1)</sup>
	B38	120,6 ml/rev	180,9	174,3	167,7 <sup>1)</sup>	2,9	43,4	85,6 <sup>1)</sup>
	B42	137,5 ml/rev	206,3	199,6	194,0 <sup>2)</sup>	3,2	49,3	90,5 <sup>2)</sup>
	045	145,7 ml/rev	218,6	209,2	202,6 <sup>3)</sup>	4,1	52,8	89,5 <sup>3)</sup>
	050	158,0 ml/rev	237,0	227,7	223,0 <sup>4)</sup>	4,4	57,1	85,0 <sup>4)</sup>

<sup>1)</sup> B35 - B38 = 280 bar max. int. <sup>2)</sup> B42 = 260 bar max. int. <sup>3)</sup> 045 = 240 bar max. int. <sup>4)</sup> 050 = 210 bar max. int.  
\* special 2.1/2" (Ø 63,5) suction also available - Please contact Parker Denison

