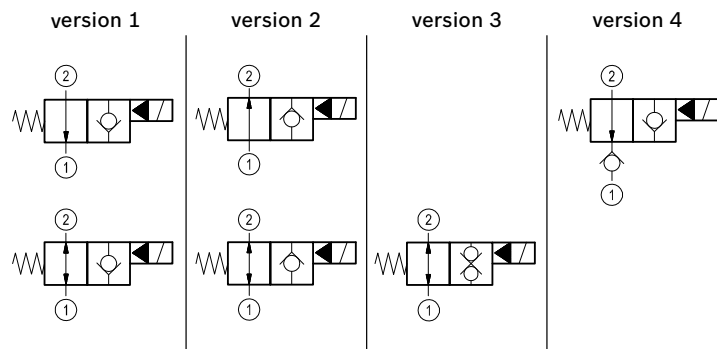
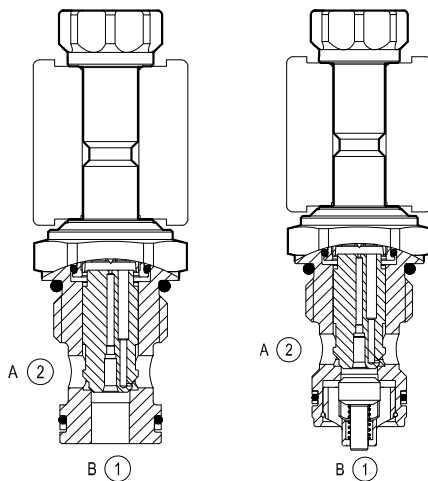


## Solenoid operated valves pilot operated poppet type 2-way normally open

Special cavity, 017-E

VEI-8A-09-NA

OD.15 - X - 17 - Y - S0



### General

Weight	kg (lbs)	0.21 (0.46)
Installation orientation		Optional
Ambient temperature range	°C (°F)	-30 to 60 (-22 to 140)

### Hydraulic

Max. operating pressure	bar (psi)	350 (5000)
Max. proof pressure	bar (psi)	420 (6000)
Flow range	l/min. (gpm)	2-70 (0.5-18)
Fatigue cycle life	cycles	1 million cycles at 350 bar
Max. internal leakage	drops/min.	20
Fluid temperature range	°C (°F)	-20 to 80 (-4 to 176)
Fluids		Mineral-based or synthetics with lubricating properties at viscosities of 20 to 380 mm <sup>2</sup> /s (cSt)
Installation torque	Nm (ft-lbs)	54-66 (40-49)
Filtration		Nominal value max. 10µm (NAS 8) ISO 4406 19/17/14
Cavity		017-E see RE 18325-75
Seal kit - version 1	code material no.	RG17E201052010 R934003562
Seal kit - version 2-3-4	code material no.	RG17E201053010 R934003563
Seal kit coil	code material no.	RG12A1PNBR7010 R934003958
Other technical data		See data sheet RE 18350-50

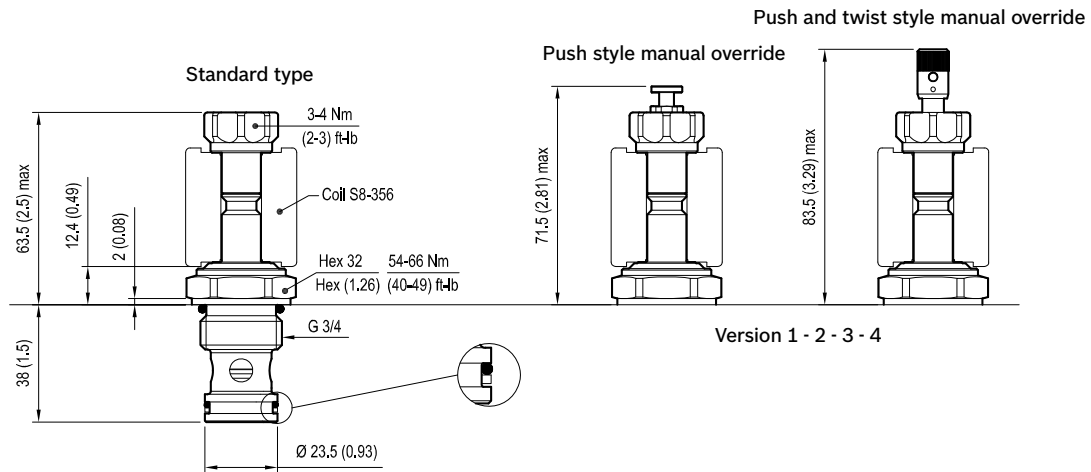
### Electrical

Type of voltage		DC voltage
Coil type		S8-356 see RE 18325-90
Supply voltage		See data sheet RE 18325-90
Nominal voltage		± 10%
Power consumption	W	20
Duty cycle coil	%	See performance graphs
Type of protection		See data sheet RE 18325-90

Note: Coils must be ordered separately.

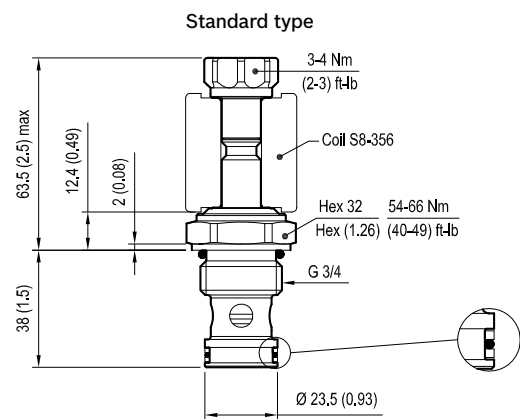
## Dimensions

Version 1: Solenoid operated valve, poppet 2-way normally open

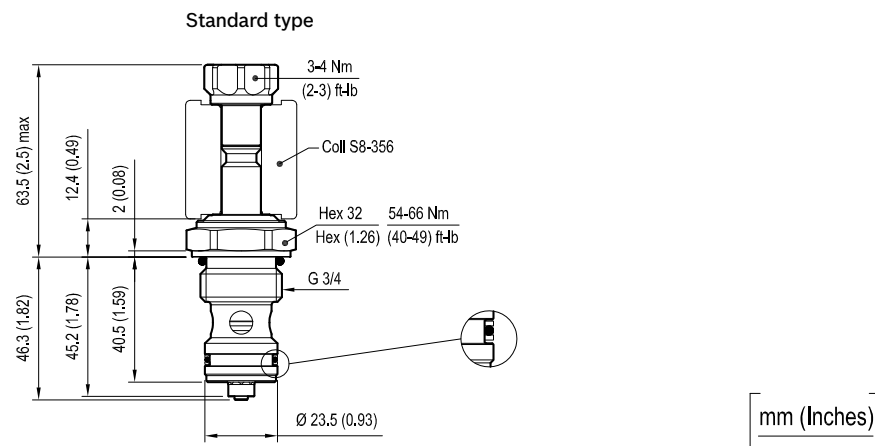


Version 2: Solenoid operated valve, poppet 2-way normally open

Version 3: Solenoid operated valve, poppet 2-way double lock normally open



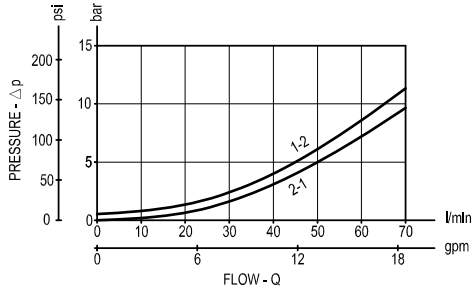
Version 4: Solenoid operated valve, poppet 2-way normally open



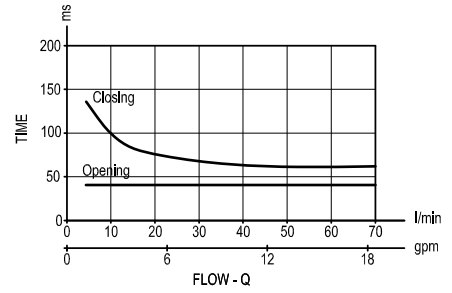
mm (Inches)

Performance graphs

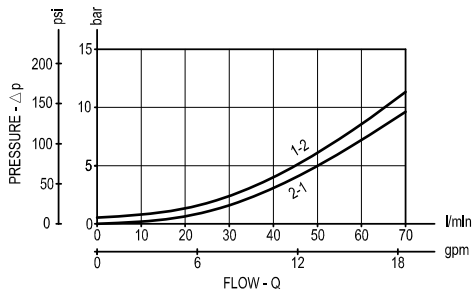
Version 1 - Version 2



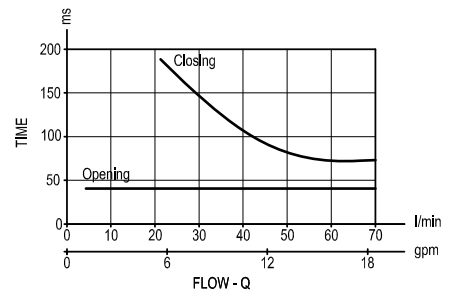
Standard



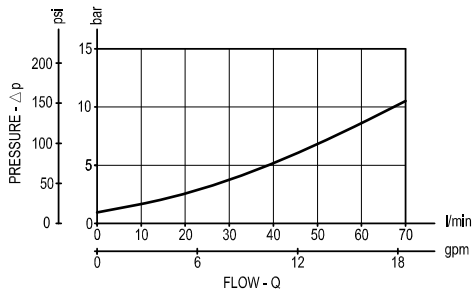
Version 3



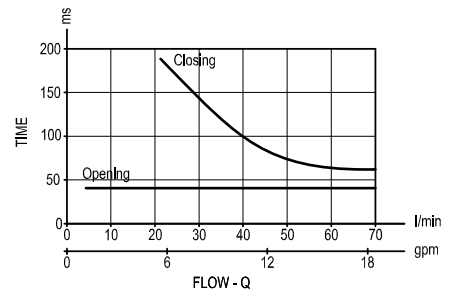
Standard



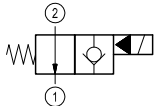
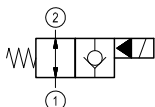
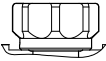
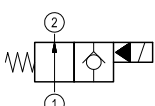
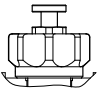
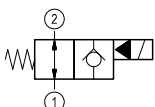
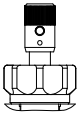
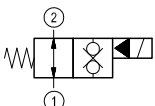
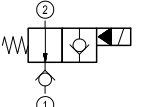
Version 4



Standard



**Ordering code**

OD.15		*	17	*	S0
Solenoid operated valves poppet type 2-way normally open		Tube not welded			
monodirectional type		= 02	standard type		
bidirectional type		= 06	1A = 		
monodirectional type		= 10	1B = 		
bidirectional type		= 04	1C = 		
bidirectional type		= 32	Special cavity: 017-E		
monodirectional type		= 12			

Type	Material number	Type	Material number
OD1502171AS000	R934000718	OD1510171AS000	R934001051
OD1502171BS000	R934000721	OD1510171BS000	R934004148
OD1502171CS000	R901177370	OD1510171CS000	R934001052
OD1506171AS000	R901113677	OD1512171AS000	R934001090
OD1506171BS000	R901113680	OD1532171AS000	R901113683
OD1506171CS000	R934000956	OD1532171BS000	R901113684
OD1504171AS000	R901113668	OD1532171CS000	R934001189
OD1504171BS000	R901113669		
OD1504171CS000	R934000809		

Bosch Rexroth Oil Control S.p.A.  
 Via Leonardo da Vinci 5  
 P.O. Box no. 5  
 41015 Nonantola – Modena, Italy  
 Tel. +39 059 887 611  
 Fax +39 059 547 848  
 cartridges@oilcontrol.com  
 www.boschrexroth.com

© This document, as well as the data, specifications and other information set forth in it, are the exclusive property of Bosch Rexroth Oil Control S.p.a.. It may not be reproduced or given to third parties without its consent.

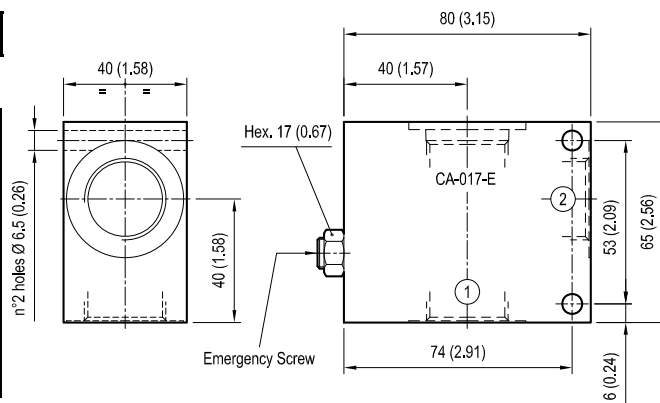
The data specified above only serve to describe the product. No statements concerning a certain condition or suitability for a certain application can be derived from our information. The information given does not release the user from the obligation of own judgment and verification. It must be remembered that our products are subject to a natural process of wear and aging.

Subject to change.

## Manifolds with emergency screw Aluminium / Steel

CAVITY: 017-E

	Ordering code	Ports 1-2	Weight kg (lbs)
Aluminium	OE150003 R934001557	G 1/2	0.48 (1.06)
	OE150004 R901121824	G 3/4	0.47 (1.04)
Steel	OE1500030055 R934001558	G 1/2	1.32 (2.91)
	OE1500040055 R934001561	G 3/4	1.24 (2.73)



[ mm / Inches ]

