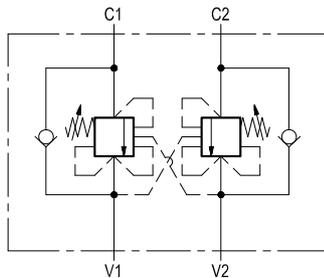


Dual counterbalance, relief compensated

VBSO-DE-CC

05.42.05 - X - Y - Z



Description

It provides static and dynamic control of load by regulating the flow IN and OUT of the actuator, through ports C1 and C2. This valve module includes 2 sections, each one composed by a check and a relief valve with balanced piston, pilot assisted by pressure in the opposite line: the check section allows free flow into the actuator, then holds the load against reverse movement; with pilot pressure applied at the line across, the pressure setting of the relief is reduced in proportion to the stated ratio until opening and allowing controlled reverse flow. Relief operates at the valve setting independent of back-pressure, but the piloted opening remains subject to additive pressure at V1 or V2.

Technical data

Hydraulic

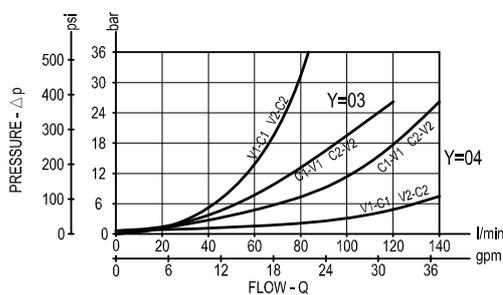
Operating pressure	bar (psi)	up to 210 (3000)
Max. flow:	see performance graph	

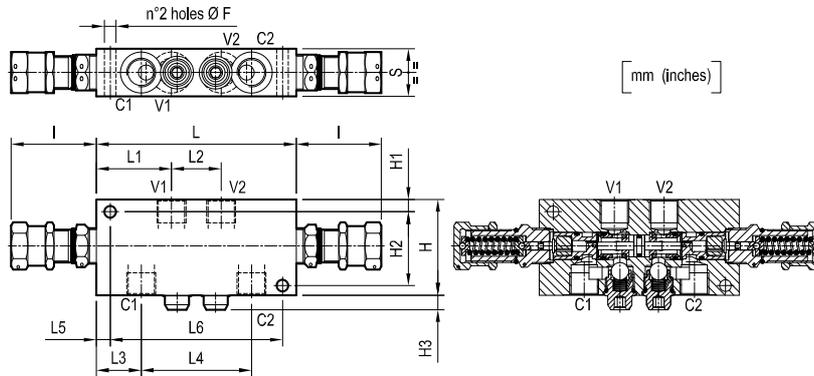
General

Manifold material	Aluminium	
Note: aluminium bodies are often strong enough for operating pressures exceeding 210 bar (3000 psi), depending from the fatigue life expected in the specific application. If in doubt, consult our Service Network.		
Weight	see "Dimensions"	
Fluid temperature range	°C (°F)	between -30 (-22) and +100 (212)
Other technical data	see data sheet RE 18350-50	

Note: for applications outside these parameters, please consult us.

Performance



Dimensions


[mm (inches)]

40	155	10	107	34	50	62.5	175	62	11	70	10	90	10.5		G 3/4	2,2
(1,58)	(6,1)	(0,39)	(4,21)	(1,34)	(1,97)	(2,46)	(6,89)	(2,44)	(0,43)	(2,76)	(0,39)	(3,54)	(0,41)			(4,9)
35	125	10	80	32.5	36	54.5	145	62	11	54	8	70	8.5		G 1/2	1,45
(1,38)	(4,92)	(0,39)	(3,15)	(1,28)	(1,42)	(2,15)	(5,71)	(2,44)	(0,43)	(2,13)	(0,32)	(2,76)	(0,34)			(3,2)
S	L6	L5	L4	L3	L2	L1	L	I	H3	H2	H1	H	F		Y	Weight kg (lbs)

Ordering code

05.42.05	X	Y	Z
-----------------	----------	----------	----------

 Dual counterbalance,
 relief compensated

Pilot ratio

= 02 8.2:1

= 10 3.2:1

Port sizes

V1-V2

C1-C2

= 03

G 1/2

G 1/2

= 04

G 3/4

G 3/4

SPRINGS

	Adj. pressure range bar (psi)	Pres. increase bar/turn (psi/turn)	Std. setting Q=5 (l/min.) bar (psi)
= 20	60-210 (900-3000)	54 (783)	200 (2900)
= 35	100-350 (1450-5000)	95 (1378)	350 (5000)

Type	Material number
054205020320000	R930001786
05420502033500A	R930001787
054205020420000	R930001789
05420502043500B	R930001790
054205100320000	R930001942
05420510033500A	R930001794
054205100420000	R930001943
05420510043500A	R930001799

Type	Material number

 Bosch Rexroth Oil Control S.p.A.
 Via Leonardo da Vinci 5
 P.O. Box no. 5
 41015 Nonantola – Modena, Italy
 Tel. +39 059 887 611
 Fax +39 059 547 848
 motion-control-valves@oilcontrol.com
 www.boschrexroth.com

© This document, as well as the data, specifications and other information set forth in it, are the exclusive property of Bosch Rexroth Oil Control S.p.A.. It may not be reproduced or given to third parties without its consent.

The data specified above only serve to describe the product. No statements concerning a certain condition or suitability for a certain application can be derived from our information. The information given does not release the user from the obligation of own judgment and verification. It must be remembered that our products are subject to a natural process of wear and aging.

Subject to change.