

RE 18331-40/04.10

1/4

Replaces: RE 00199/11.07

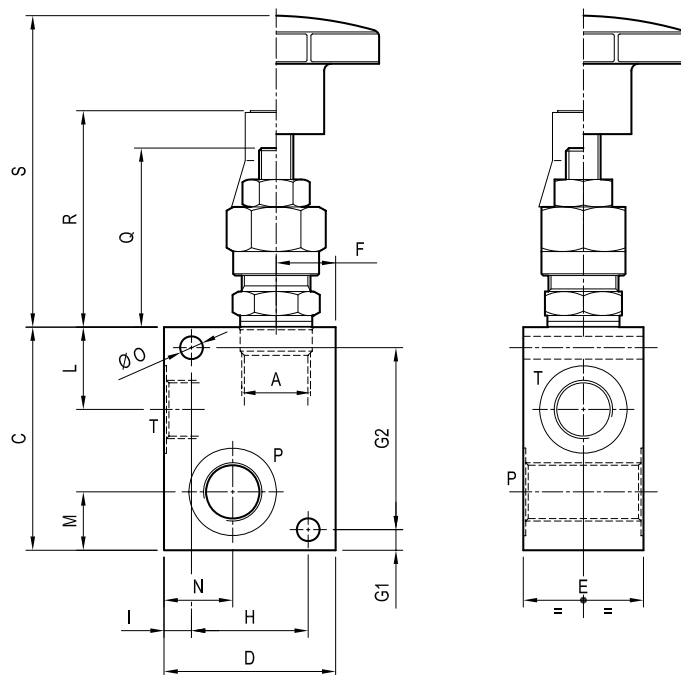
Relief, direct acting guided poppet type

Special cavity

Cartridge style in manifold

VSC-30
05.13.01 - X - Y - Z

Dimensions



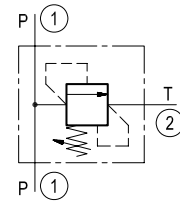
Technical data

Max flow: up to 30 l/min (8 gpm)

Max operating pressure: 210 bar (3000 psi)

 Standard manifolds in high strength **aluminium**.

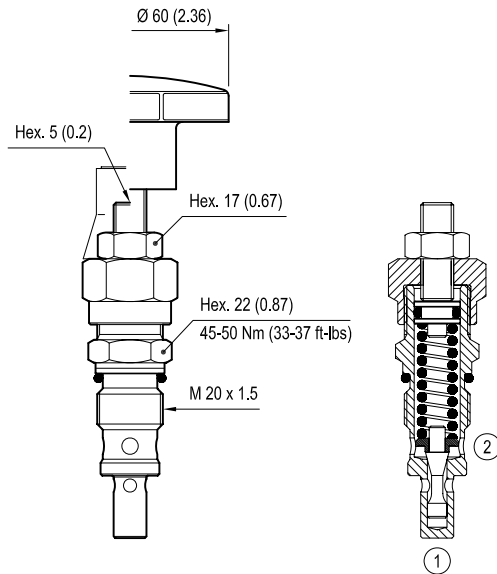
For working pressure up to 350 bar (5000 psi) and for fatigue applications with any working pressure, steel manifolds are available upon request.


Table "Y"

Special Cavity	Y	PORT SIZE	DIMENSIONS mm (Inches)														
			P - T	C	D	E	F	G1	G2	H	I	L	M	N	O	Q	R
008	09	G 1/4	65 (2.56)	50 (1.97)	35 (1.38)	18 (0.71)	6 (0.24)	53 (2.09)	34 (1.34)	8 (0.32)	24 (0.95)	17 (0.67)	22 (0.87)	6.5 (0.26)	51 (2.01)	61 (2.40)	89 (3.50)
	02	G 3/8	65 (2.56)	50 (1.97)	35 (1.38)	18 (0.71)	6 (0.24)	53 (2.09)	34 (1.34)	8 (0.32)	24 (0.95)	17 (0.67)	20 (0.79)	6.5 (0.26)	51 (2.01)	61 (2.40)	89 (3.50)
	03	G 1/2	65 (2.56)	50 (1.97)	35 (1.38)	18 (0.71)	6 (0.24)	53 (2.09)	34 (1.34)	8 (0.32)	24 (0.95)	17 (0.67)	18 (0.71)	6.5 (0.26)	51 (2.01)	61 (2.40)	89 (3.50)

Archivierung: 08/2012

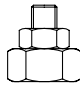
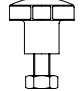
Cartridge style




Cartridge code: 04.11.18 - X - 99 - Z

[mm (inches)]

Table "X"

X	ADJUSTMENTS	
03	Leakproof hex. socket screw	
04	Handknob and locknut	

OPTIONS		
Ordering code	Description	
11.04.23.003		Tamper resistant cap

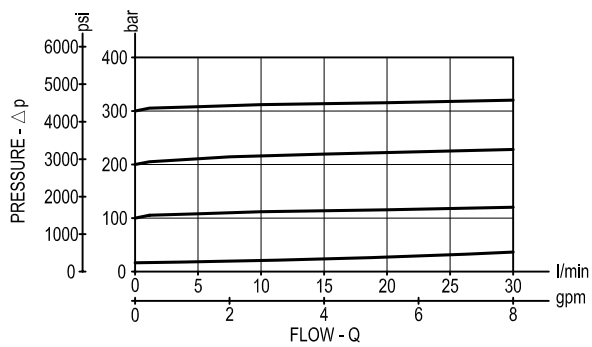
CARTRIDGE TECHNICAL DATA

Special cavity: **008**
For other details see data sheet RE 18318-23

Table "Z"

Z	SPRINGS		
	Adjust pressure range bar (psi)	Pressure increase bar (psi)	Standard setting bar (psi) Q = 5 l/min
05	5-50 (75-725)	12 (174)	50 (725)
10	30-100 (435-1450)	24 (348)	100 (1450)
20	50-210 (725-3000)	47 (682)	200 (2900)
35	100-350 (1450-5000)	82 (1189)	350 (5000)

Performance graph



Archivierung: 08/2012

Ordering code

05.13.01	X	Y	Z
----------	---	---	---

Manifold with relief, direct acting
guided poppet type
Special cavity

Settings - Springs
(see table Z on page 2)

Cartridge style - Adjustments
(see table X on page 2)

Manifold style - Dimensions and port sizes
(see table Y on page 1)

Preferred types (readily available)

Type	Material number	Type	Material number
051301030905000	R930001280	051301040235000	R930001290
051301030910000	R930001281	051301040305000	R930001291
051301030920000	R930001282	051301040320000	R930001292
051301030935000	R930001283	051301040335000	R930001293
051301030205000	R930001263		
051301030210000	R930001264		
051301030220000	R930001266		
051301030235000	R930001269		
051301030305000	R930001271		
051301030310000	R930001274		
051301030320000	R930001275		
051301030335000	R930001278		
051301040205000	R930001287		
051301040210000	R930001288		
051301040220000	R930001289		

Further types available by request

Bosch Rexroth Oil Control S.p.A.
Via Leonardo da Vinci 5
P.O. Box no. 5
41015 Nonantola – Modena, Italy
Tel. +39 059 887 611
Fax +39 059 547 848
integrated-circuits@oilcontrol.com
www.boschrexroth.com

© This document, as well as the data, specifications and other information set forth in it, are the exclusive property of Bosch Rexroth Oil Control S.p.a.. It may not be reproduced or given to third parties without its consent.

The data specified above only serve to describe the product. No statements concerning a certain condition or suitability for a certain application can be derived from our information. The information given does not release the user from the obligation of own judgment and verification. It must be remembered that our products are subject to a natural process of wear and aging.

Subject to change.

Archivierung: 08/2012