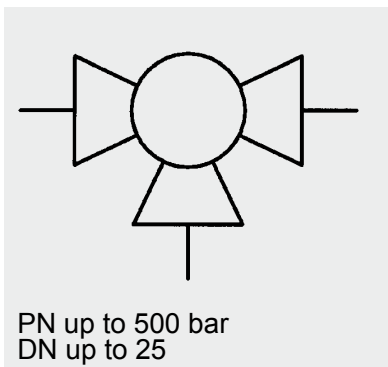


HYDAC INTERNATIONAL


3/2 Way Ball Valves

KHB3K

Model code
(also order example)

KHB3K G 1/2 L 1112 01 X A

Designation

KHB3K = 3/2 way ball valve

Type of connection

G = Whitworth female thread ISO 228
 LR = Pipe connection - light range DIN 2353
 SR = Pipe connection - heavy range DIN 2353
 NPT = Female thread ANSI B 1.20.1

Ball bore

Materials

Housing, connection adapters and control spindle

1 = Steel
 3 = Stainless steel

Ball

1 = Steel
 3 = Stainless steel

Ball seal

1 = POM
 3 = PTFE
 8 = PEEK

Control spindle seal

2 = NBR (Perbunan)
 3 = PTFE
 4 = FKM (Viton)

Handle

01 = Aluminium clamped handle, straight
 02 = Aluminium clamped handle, cranked
 03 = Zinc die-cast clamped handle, straight
 04 = Zinc die-cast bolt-on handle, cranked
 06 = Steel bolt-on handle, cranked
 09 = Without handle

Series

(determined by manufacturer)

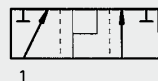
Surface protection

... = phosphate-plated (no details required)
 A = zinc-plated, chrome (VI)-free

Function diagram

3/2 way ball valve L-bore 90° switch

2 3



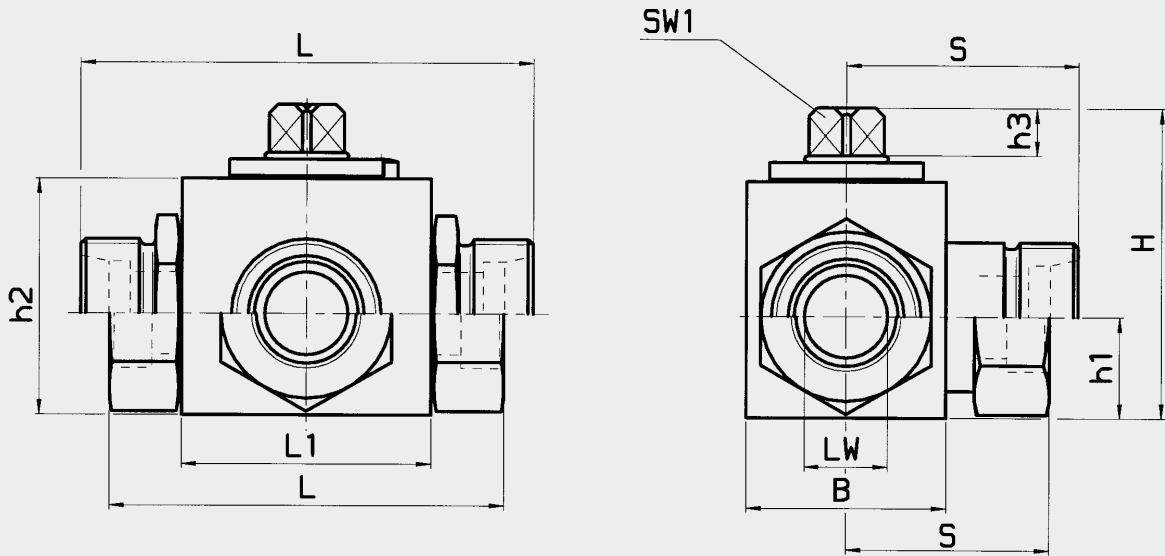
* undefined switching position

Technical specifications

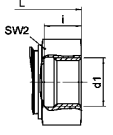
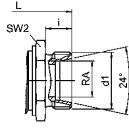
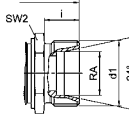
Types of connection:	Light and heavy threaded pipe connection to DIN 2353 Whitworth female thread to ISO 228 NPT SAE
Mounting position:	Optional
Ambient temperature:	-10 °C to +80 °C
Nominal pressure:	up to PN 500 bar
Operating fluids:	Mineral oil to DIN 51524 Part 1 and Part 2 (other fluids on request)
Temperature of operating fluid:	-10 °C to +80 °C
Spare parts:	Seal kits available on request

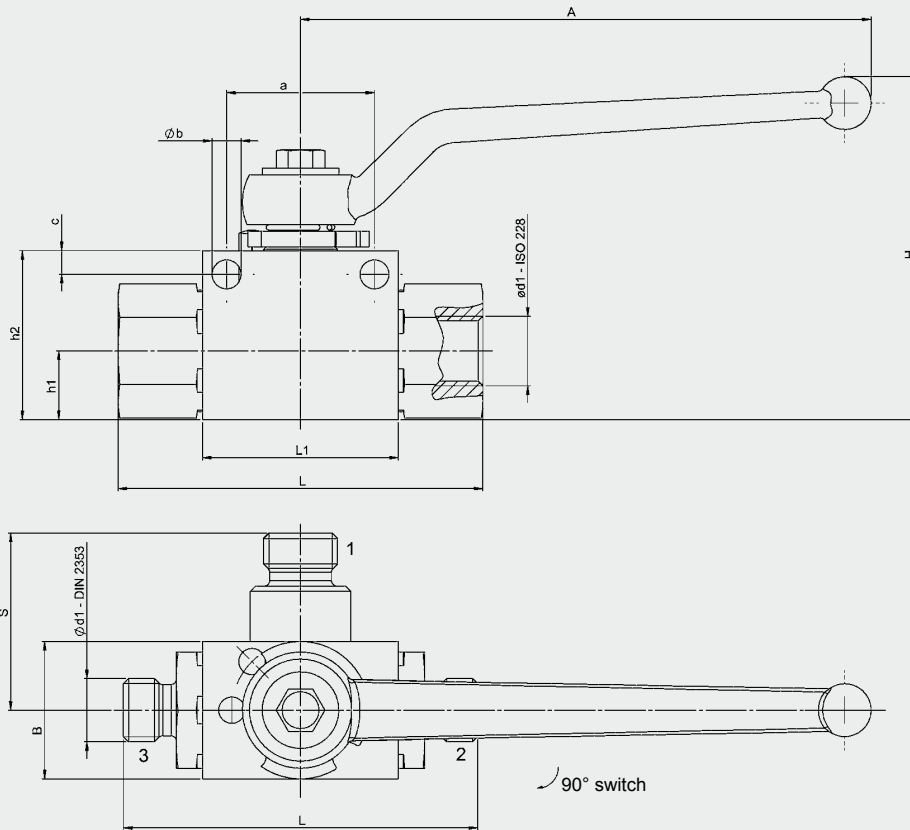
Dimensions

3/2 way ball valve



Stainless steel

Connection type	Type	DN	Int. Ø.	RA	d1	i	L	L1	B	H	h1	h2	h3	S	SW1	SW2	Wt. [kg]	Nom. press. PN [bar]
DIN ISO 228 Female thread 	KHB3K-G1/8	4	8	–	G1/8	10	69	37	29	45.2	14.5	33.5	7	34.5	9	22	0.41	500
	KHB3K-G1/4	6	8	–	G1/4	14	69	37	29	45.2	14.5	33.5	7	34.5	9	22	0.49	500
	KHB3K-G3/8	10	10	–	G3/8	14	72	42	35	50.7	17.2	40	8.5	36	9	27	0.62	500
	KHB3K-G1/2	13	12	–	G1/2	16	84	42	35	53.2	17.2	40	8.5	41.5	9	30	0.8	500
	KHB3K-G1/2	16	15	–	G1/2	16	82.8	47	41	63.7	20.5	46.5	11	41.5	12	32	1	400
	KHB3K-G3/4	20	20	–	G3/4	18	95	60	49	77.8	27.5	60	11.6	47.5	14	41	1.9	315
	KHB3K-G1	25	25	–	G1	20.5	113	65	58	82.6	29.5	65	11.6	56.5	14	50	2.4	315
DIN 2353 Light range 	KHB3K-06LR	4	4	6	M12x1.5	10	67	37	29	45.2	14.5	33.5	7	33.5	9	22	0.36	500
	KHB3K-08LR	6	6	8	M14x1.5	10	67	37	29	45.2	14.5	33.5	7	33.5	9	22	0.36	500
	KHB3K-10LR	8	8	10	M16x1.5	11	74	42	35	53.2	17.2	40	8.5	37	9	27	0.72	500
	KHB3K-12LR	10	10	12	M18x1.5	11	74	42	35	53.2	17.2	40	8.5	37	9	27	0.73	500
	KHB3K-15LR	13	12	15	M22x1.5	12	82	42	35	53.2	17.2	40	8.5	41	9	30	0.9	500
	KHB3K-18LR	13	12	18	M26x1.5	12	82	42	35	53.2	17.2	40	8.5	41	9	30	0.92	500
	KHB3K-18LR	16	15	18	M26x1.5	12	81.8	47	41	63.7	20.5	46.5	11	41	12	32	0.95	400
	KHB3K-22LR	20	19	22	M30x2	14	101	60	49	77.8	27.5	60	11.6	50.5	14	41	2.02	315
	KHB3K-28LR	25	24	28	M36x2	14	108	65	58	82.6	29.5	65	11.6	54	14	50	2.13	315
DIN 2353 Heavy range 	KHB3K-08SR	4	5	8	M16x1.5	12	73	37	29	45.2	14.5	33.5	7	36.5	9	22	0.39	500
	KHB3K-10SR	6	7	10	M18x1.5	12	73	37	29	45.2	14.5	33.5	7	36.5	9	22	0.39	500
	KHB3K-12SR	8	8	12	M20x1.5	12	76	42	35	53.2	17.2	40	8.5	38	9	27	0.74	500
	KHB3K-14SR	10	10	14	M22x1.5	14	80	42	35	53.2	17.2	40	8.5	40	9	27	0.77	500
	KHB3K-16SR	13	12	16	M24x1.5	14	81	42	35	53.2	17.2	40	8.5	40.5	9	30	0.92	500
	KHB3K-20SR	13	12	20	M30x2	16	85	42	35	53.2	17.2	40	8.5	42.5	9	32	1.02	500
	KHB3K-20SR	16	15	20	M30x2	16	89.8	47	41	63.7	20.5	46.5	11	45	12	32	1.6	400
	KHB3K-25SR	20	20	25	M36x2	18	109	60	49	77.8	27.5	60	11.6	54.5	14	41	2.2	315
	KHB3K-30SR	25	25	30	M42x2	20	120	65	58	82.6	29.5	65	11.6	60	14	50	2.4	315

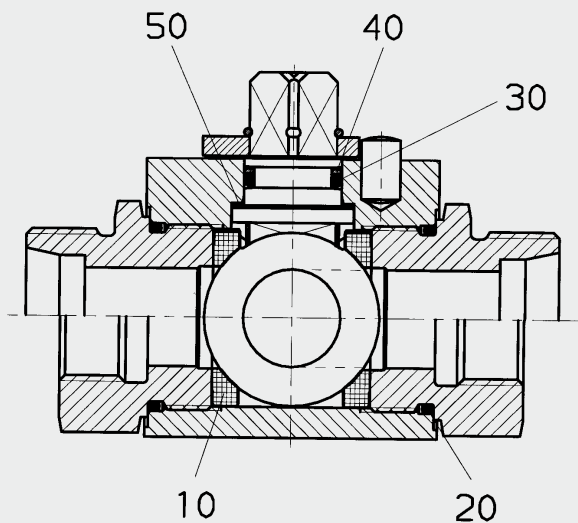
Dimensions, Mounting bore (S0 1073)


$\varnothing d1$	DN	PN	L	L1	B	H	h1	h2	a	$\varnothing b$	c	A	S
G 1/8	04	500	69	37	26	64	13.0	32	28	5.5	4.5	108	34.5
G 1/4	06	500	69	37	26	64	13.0	32	28	5.5	4.5	108	34.5
G 3/8	10	500	72	42	32	68	17.0	40	32	5.5	5.0	108	36.0
G 1/2*	13	500	84	47	35	68	17.0	40	32	5.5	5.0	108	41.5
G 1/2	16	400	83	47	38	102	19.0	45	38	5.5	5.0	174	41.5
G 3/4	20	315	95	60	48	115	24.5	57	46	6.6	6.0	174	47.5
G 1	25	315	113	65	57	122	28.5	64	46	6.6	6.0	174	56.5
08LR	06	500	67	37	26	64	13.0	32	28	5.5	4.5	108	33.5
10LR	08	500	71	37	26	64	13.0	32	28	5.5	4.5	108	35.5
12LR	10	500	74	42	32	68	17.0	40	32	5.5	5.0	108	37.0
15LR*	13	500	82	47	35	68	17.0	40	32	5.5	5.0	108	41.0
15LR	12	400	82	47	38	102	19.0	45	38	5.5	5.0	174	41.0
18LR	16	400	82	47	38	102	19.0	45	38	5.5	5.0	174	41.0
22LR	20	315	101	60	48	115	24.5	57	46	6.6	6.0	174	50.5
28LR	25	315	108	65	57	122	28.5	64	46	6.6	6.0	174	54.0

* reduced bore



SPARE PARTS (seal kit)



NOTE

The information in this brochure relates to the operating conditions and applications described.

For applications or operating conditions not described, please contact the relevant technical department.

Subject to technical modifications.

Seal kit	Order No. = Part No.
DN 04/06	703 048
DN 08/10	703 014
DN 13	703 046
DN 12/16	703 010
DN 20	703 005
DN 25	703 004

The parts indicated by numbers in the above drawing are contained in the seal kit.