

SCE-020 digital display unit

Device features

- Easily readable digital display:
 - Large
 - Bright
- Programmable
- Unit of measure can be selected
- Adjustable display range
- Input:

Current	0/4 to 20 mA
Voltage	0 to 10 V
Frequency	0 to 8 kHz
- Switching output
- Loop-through function:
 - Analogue output
 - Serial interface
- Standard housing 96 x 48 mm



Diverse connections, a flexible display and many outputs are the features of the digital display SCE.

The SCE-020 converts standard analogue signals (in the range 0 to 10 V up to 0/4 to 20 mA) into clearly readable measurement values or units.

The **SCE-020** can be used to easily display every desired sensor. (pressure, temperature, torque, length, etc.)

Functions

The display can be read from a long distance. The measurement range and the decimal point can be adjusted to fit user requirements so that different measurement values can be displayed.

The accompanying units are mounted on a separate illumination area.

The power supply varies from 11 to 30 VDC.

An adjustable limit value can be monitored using the floating switching output.

Loop-through function

The analogue output or the RS232 serial interface can forward the signal to the appropriate peripheral.

The SCE-020 display unit can be used when different measurement values need to be displayed in a simple and flexible manner.

SCE-020 digital display unit

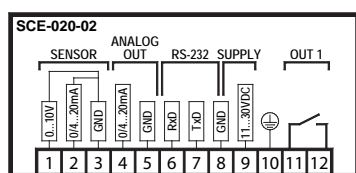
Technical data

	SCE-020-2
Input	0 to 20 mA, 4 to 20 mA or 0 to 10 V
Input resistance	0 to 20 mA = 150 Ω, 4 to 20 mA = 150 Ω, 0 to 10 V = 67 KΩ
Analogue output	0 to 20 mA, 4 to 20 mA
Analogue output load	≤ 500 Ω
Interface	RS-232C
Limit value	Floating CO contact 250 V/5 A max.

Input	
Measurement error	± 0.2 % of the display ± 1 digit
Measurement rate	5 ms
	Threshold query every 5 ms
Measuring range	Freely selectable (programmable)
Display	
Display	4-digit 7-segment LED
Display range	-999 to 9999
Digit height	13 mm
Decimal point	Freely programmable
Dimension display	Selectable, by attaching a dimensioning label to the appropriate illumination area
Ambient conditions	
Operating temperature range	0 to +60 °C
Storage temperature range	-25 to +80 °C
Relative humidity	< 80 %
Protection degree	IP44 according to DIN 40050

Power supply	
Auxiliary Power	11 to 30 VDC
Current consumption	Approx. 100 mA
Housing	
Material	PC ABS black Self-extinguishing according to UL94V0, For table and console installation
Front dimensions	96 x 48 mm
Installation depth	131 mm
Connection	12 -pole terminal block with wire protection, max. 1.5 mm ²
Mounting position	As required
Weight	Approx. 200 g

Pin assignment

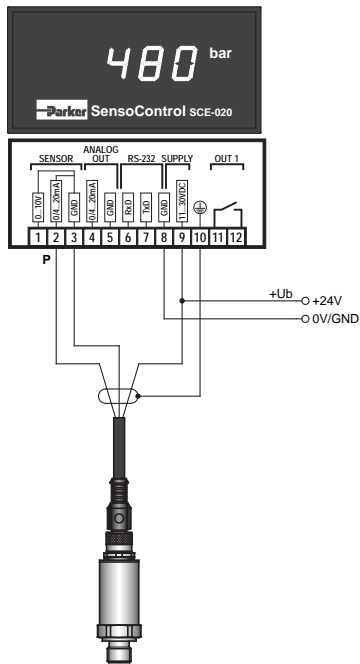


SCE-020 digital display unit

Connection examples (0/4 to 20 mA)

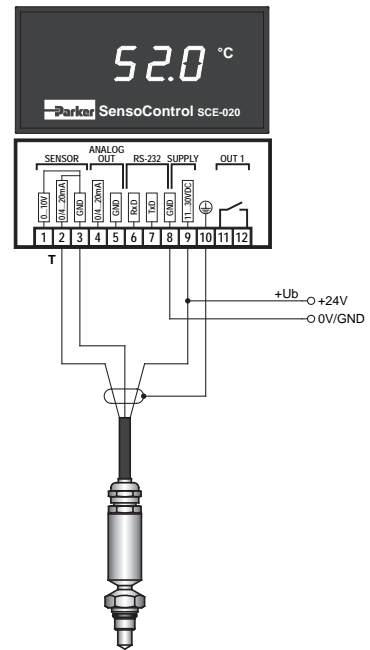
SCE-020-02

Pressure sensor SCP



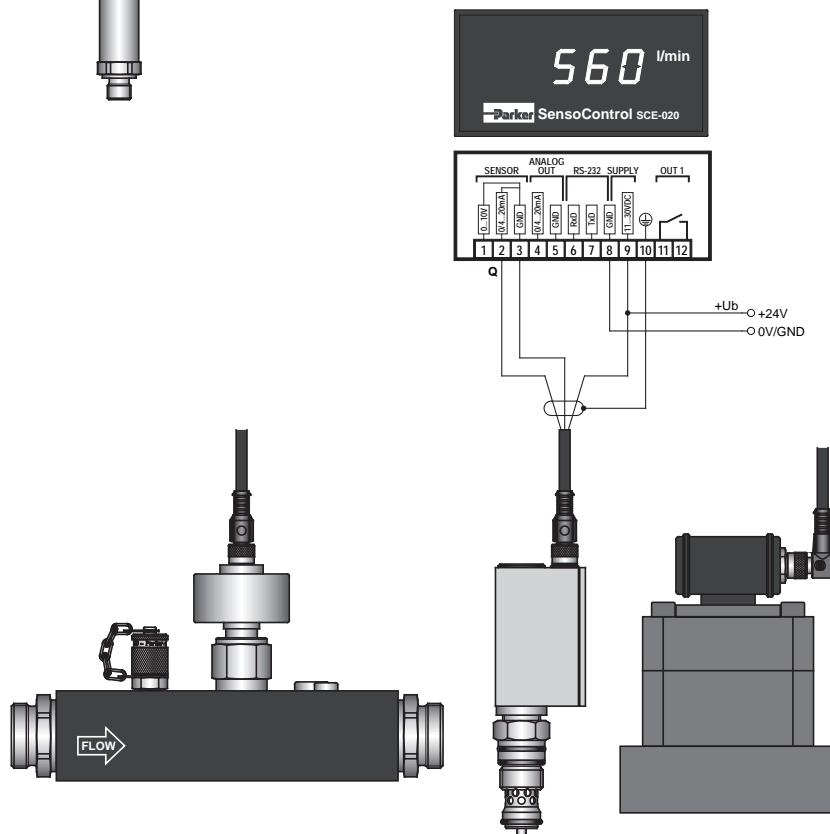
SCE-020-02

Temperature sensor SCT



SCE-020-02

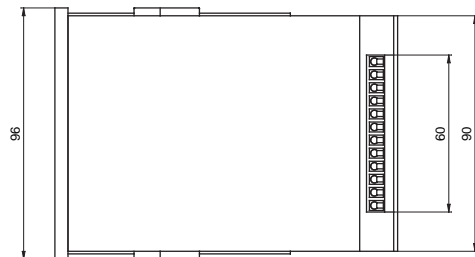
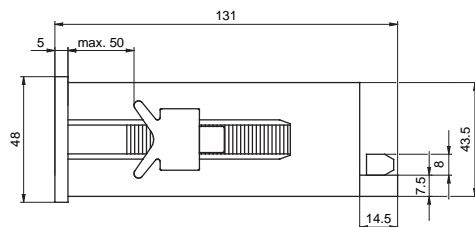
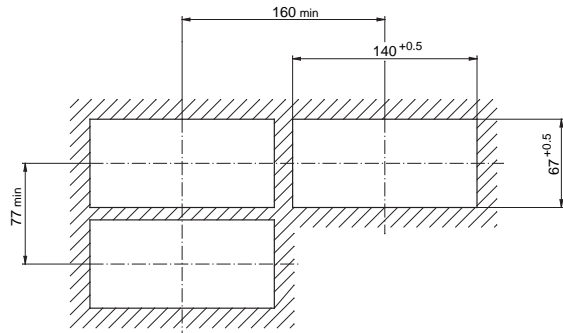
Flow sensor



Digital displays

SCE-020 digital display unit

Dimensioned drawings



Order code

SCE-020 Input 0/4 to 20 mA/0 to 10 V

SCE-020-02

+ 1 switching output
+ RS232C serial interface

Accessories:

Data cable SCE – PC
Power cable 115/230 VAC

SCK-300-02-31

SCSN-410