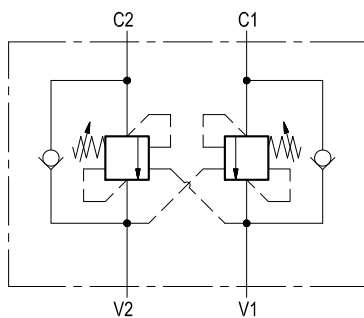


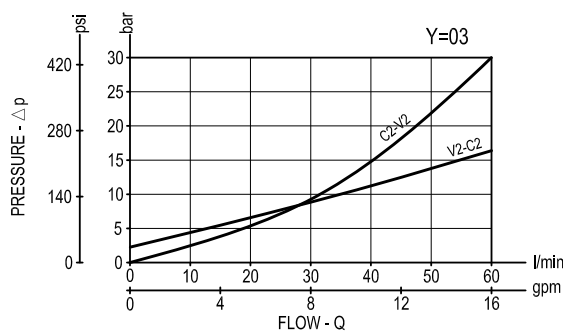
# Dual counterbalance

**A-VBSO-DE-30-PI**
**08.48.11 - X - Y - Z**


## Description

It provides static and dynamic control of load by regulating the flow IN and OUT of the actuator, through ports C1 and C2. This valve module includes 2 sections, each one composed by a check and a relief valve pilot assisted by pressure in the opposite line: the check section allows free flow into the actuator, then holds the load against reverse movement; with pilot pressure applied at the line across, the pressure setting of the relief is reduced in proportion to the stated ratio until opening and allowing controlled reverse flow. Back-pressure at V1 or V2 is additive to the pressure setting in all functions.

## Performance



## Technical data

### Hydraulic

Max. operating pressure	bar (psi)	350 (5000)
-------------------------	-----------	------------

Max. flow	l/min (gpm)	60 (16)
-----------	-------------	---------

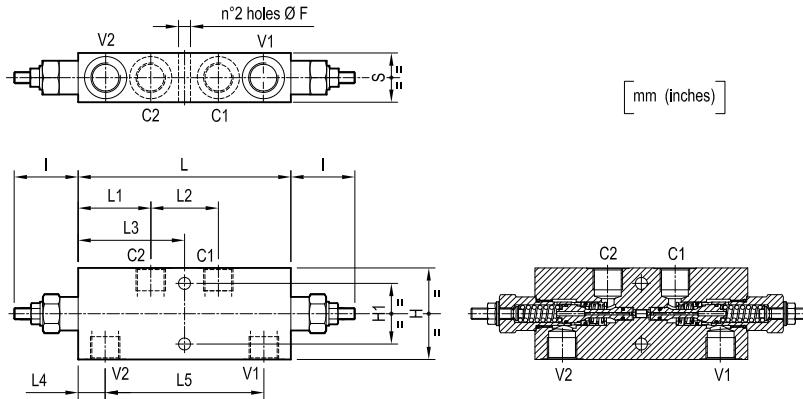
Relief setting: at least 1.3 times the highest expected load.

### General

Manifold material	Steel
Weight	see "Dimensions"
Fluid temperature range	°C (°F) between -30 (-22) and +100 (212)
Other technical data	see data sheet RE 18350-50

**Note:** for applications outside these parameters, please consult us.

Archivierung: 03/2015

**Dimensions**


35 (1.38)	112.6 (4.43)	19.2 (0.76)	75.5 (2.97)	47.6 (1.87)	51.7 (2.04)	151 (5.95)	45.5 (1.79)	43 (1.69)	65 (2.56)	8.5 (0.34)				G 1/2	2.9 (6.4)
30 (1.18)	109.6 (4.32)	20.7 (0.82)	75.5 (2.97)	47.6 (1.87)	51.7 (2.04)	151 (5.95)	45.5 (1.79)	38 (1.5)	55 (2.17)	8.5 (0.34)				G 3/8	2.5 (5.5)
S	L5	L4	L3	L2	L1	L	I	H1	H	F				Y	Weight kg (lbs)

**Ordering code**

<b>08.48.11</b>	<b>X</b>	<b>Y</b>	<b>Z</b>
-----------------	----------	----------	----------

Dual counterbalance

Pilot ratio

= 03 4.2:1

Port sizes	V1-V2	C1-C2	
= 02	G 3/8	G 3/8	
= 03	G 1/2	G 1/2	

**SPRINGS**

	Adj. pressure range bar (psi)	Pres. increase bar/turn (psi/turn)	Std. setting Q=5 (l/min.) bar (psi)
= 20	60-210 (870-3000)	63 (914)	200 (2900)
= 35	100-350 (1450-5000)	138 (2001)	350 (5000)

 Tamper resistant cap  
 code 11.04.23.002  
 R930000752


Type	Material number
084811030220000	R930006936
084811030235000	R930006445
084811030320000	R930006817
084811030335000	R930006818

Type	Material number

 Bosch Rexroth Oil Control S.p.A.  
 Via Leonardo da Vinci 5  
 P.O. Box no. 5  
 41015 Nonantola – Modena, Italy  
 Tel. +39 059 887 611  
 Fax +39 059 547 848  
 motion-control-valves@oilcontrol.com  
 www.boschrexroth.com

© This document, as well as the data, specifications and other information set forth in it, are the exclusive property of Bosch Rexroth Oil Control S.p.a. It may not be reproduced or given to third parties without its consent.

The data specified above only serve to describe the product. No statements concerning a certain condition or suitability for a certain application can be derived from our information. The information given does not release the user from the obligation of own judgment and verification. It must be remembered that our products are subject to a natural process of wear and aging.

Subject to change.