

Technical Information

H1 Axial Piston Single Pumps

Size 060/068



Technical Information

H1 Axial Piston Single Pumps, Size 060/068

Revision history*Table of revisions*

Date	Changed	Rev
May 2017	NFPE gen. 3 changes.	0701
November 2015	Master Model Code changes.	0600
September 2014	MDC, CCO, and Swash Angle Sensor options added	FA
May 2014	Converted to Danfoss layout - DITA CMS	EA
Apr 2013	FDC option added	DA
Mar 2013	AC section updated	CA
Dec 2012	AC added	BA
Nov 2010	First edition	AA

Contents
Technical specifications

H1 Pump General Specification.....	5
Technical data H1P 060/068.....	5
Operating parameters H1P 060/068.....	6
Fluid Specifications	6
External Radial Shaft Loads.....	7
Bearing life H1P 060/068.....	7
Mounting flange loads H1P 060/068.....	8
Charge pump.....	9
Charge Pump Selection.....	9
Charge pump flow and power curves, 14/17 cm ³	9

Master Model Code
Control Options

Electrical Displacement Control (EDC).....	17
EDC Control Signal Requirements.....	17
EDC Solenoid Data.....	18
Control Response.....	18
Response time, EDC 060/068.....	19
Manual Displacement Control (MDC)	20
MDC Torque.....	20
MDC General Information.....	21
MDC Shaft Rotation.....	21
Control Response.....	21
Response time, MDC 060/068.....	22
Neutral Start Switch (NSS).....	22
Case Gauge Port M14.....	23
Lever.....	23
Forward-Neutral-Reverse electric control (FNR), options: A9 (12 V) and B1 (24 V).....	24
Control Response.....	25
FNR response time 060/068.....	25
Non Feedback Proportional Electric Control (NFPE).....	26
Control Signal Requirements, NFPE 060/068.....	27
Control Response.....	28
Response Time, NFPE 060/068.....	28
Automotive Control (AC).....	29
Mode types.....	29
Basic functions.....	29
Performance functions.....	30
Protection and safety functions.....	30
Engine control and protection.....	30
Installation features.....	30
Fan Drive Control (FDC).....	31
Control Response.....	32
Response time, FDC.....	32
Manual Over Ride (MOR).....	33
Swash plate angle sensor for NFPE and AC2 controls.....	34
Swash Plate Angle Sensor Parameters.....	34
Swash plate angle sensor connector.....	35
Interface with ECU.....	35
Control-Cut-Off valve (CCO valve).....	36
CCO solenoid data.....	36
Brake gauge port with MDC.....	37
Displacement limiter.....	38
Displacement change (approximately) H1P 060/068.....	38

Dimensions

Input shaft, option G1 (SAE C, 14 teeth).....	39
Input shaft, option F1 (SAE C, 21 teeth) 045/053.....	40
H1P Auxiliary mounting, option H2 (SAE A, 9 teeth).....	41

Contents

H1P Auxiliary mounting, option H1 (SAE A, 11 teeth)	42
H1P Auxiliary mounting, option H3 (SAE B, 13 teeth)	43
H1P Auxiliary mounting, option H5 (SAE B-B, 15 teeth)	44
H1P Auxiliary mounting, option H6 (SAE C, 14 teeth)	45
H1P 060/068 displacement limiter, option B.....	45

Installation drawings

Port description H1P 060/068.....	46
Dimensions H1P 060/068.....	48

Controls

Electric Displacement Control (EDC), options: A2 (12 V) / A3 (24 V).....	51
Electric Displacement Control (EDC) with MOR, options: A4 (12 V) / A5 (24 V).....	51
H1P 060/068 Manual Displacement Control (MDC), option M1.....	52
H1P 060/068 Manual Displacement Control (MDC) with NSS, option M2.....	53
H1P 060/068 Manual Displacement Control (MDC) with CCO, option M3, M4.....	54
H1P 060/068 Manual Displacement Control (MDC) with NSS and CCO, option M5, M6.....	55
Forward-Neutral-Reverse (FNR) with MOR, options: A9 (12 V) / B1 (24 V).....	56
Non Feedback Proportional Electric control (NFPE), with MOR, option A8 (12 V)/B8 (24 V).....	57
Automotive Control (AC) Dimensions.....	58
Fan Drive Control (FDC), option F1 (12V) / F2 (24V).....	59

Filtration

H1P 060/068, suction filtration, option L	60
Remote full charge pressure filtration, option P for end cap option F (SAE-C PTO).....	61
Integral full flow charge pressure filtration with filter bypass sensor, options M / D3, F4.....	62
External full flow charge pressure filtration, option E / D8, F5.....	64

Technical Information

H1 Axial Piston Single Pumps, Size 060/068
Technical specifications
H1 Pump General Specification

Design	Axial piston pump of cradle swashplate design with variable displacement
Direction of rotation	Clockwise, Counterclockwise
Pipe connections	<i>Main pressure ports:</i> ISO split flange boss <i>Remaining ports:</i> SAE straight thread O-ring boss
Recommended installation position	Pump installation position is discretionary, however the recommended control position is on the top or at the side with the top position preferred. If the pump is installed with the control at the bottom, flushing flow must be provided through port M14 located on the EDC, FNR and NFPE control. Vertical input shaft installation is acceptable. If input shaft is at the top 1 bar case pressure must be maintained during operation. The housing must always be filled with hydraulic fluid. Recommended mounting for a multiple pump stack is to arrange the highest power flow towards the input source. Consult Danfoss for nonconformance to these guidelines.
Auxiliary cavity pressure	Will be inlet pressure with internal charge pump. For reference see H1P 060/068 Operating Parameters . Will be case pressure with external charge supply. Please verify mating pump shaft seal capability.

Technical data H1P 060/068

Feature	Size 060	Size 068
Displacement	60.4 cm ³ [3.69 in ³]	68.0 cm ³ [4.15 in ³]
Flow at rated (continuous) speed	210 l/min [55.5 US gal/min]	238 l/min [62.8 US gal/min]
Torque at maximum displacement (theoretical)	0.96 N·m/bar [590 lbf·in/1000psi]	1.08 N·m/bar [610 lbf·in/1000psi]
Mass moment of inertia of rotating components	0.00709 kg·m ² [0.00523 slug·ft ²]	0.00707 kg·m ² [0.00522 slug·ft ²]
Mass [weight] dry	50 kg [110 lb] (without charge pump or auxiliary mounting flange)	
Oil volume	2.1 l [0.55 US gal]	
Mounting flange	ISO 3019-1 flange 127-4 (SAE C)	
Input shaft outer diameter, splines and tapered shafts	ISO 3019-1, outer Ø32 mm - 4 (SAE C, 14 teeth) ISO 3019-1, outer Ø35 mm - 4 (SAE C, 21 teeth)	
Auxiliary mounting flange with metric fasteners Shaft outer diameter and splines	ISO 3019-1, flange 82 - 2, outer Ø16 mm - 4 (SAE A, 9 teeth) ISO 3019-1, flange 82 - 2, outer Ø19 mm - 4 (SAE A, 11 teeth) ISO 3019-1, flange 101 - 2, outer Ø22 mm - 4 (SAE B, 13 teeth) ISO 3019-1, flange 101 - 2, outer Ø25 mm - 4 (SAE B-B, 15 teeth) ISO 3019-1, flange 127 - 4, outer Ø32 mm - 4 (SAE C, 14 teeth)	
Suction port	ISO 11926-1 – 1 ⁵ / ₁₆ -12 (SAE O-ring boss)	
Case drain ports L2, L4	ISO 11926-1 – 1 ¹ / ₁₆ -12 (SAE O-ring boss)	
Main port configuration	Ø25.4 - 450 bar split flange boss per ISO 6162, M12x1.75	
Other ports	SAE O-ring boss. See Installation drawings on page 46.	
Customer interface threads	Metric fasteners	

Technical Information
H1 Axial Piston Single Pumps, Size 060/068
Technical specifications
Operating parameters H1P 060/068

Feature		Size 060	Size 068
Input speed at minimum charge/control pressure	Minimum for internal ¹⁾ and external ²⁾ charge supply	500 min ⁻¹ (rpm)	
	Minimum for full performance for internal charge supply	1200 min ⁻¹ (rpm)	
	Rated	3500 min ⁻¹ (rpm)	
	Maximum	4000 min ⁻¹ (rpm)	
System pressure	Maximum working pressure	420 bar [6090 psi]	380 bar [5510 psi]
	Maximum pressure	450 bar [6527 psi]	400 bar [5800 psi]
	Maximum low loop	45 bar [650 psi]	
	Minimum low loop pressure	10 bar [145 psi]	
Charge pressure	Minimum	14.5 bar [210 psi]	
	Maximum	34 bar [493 psi]	
Control pressure	Minimum at corner power for EDC, MDC, FNR	18.5 bar [270 psi]	
	Minimum at corner power for NFPE	26 bar [377 psi]	
	Maximum	40 bar [580 psi]	
Charge pump inlet pressure	Rated	0.7 bar (absolute) [9 in Hg vacuum]	
	Minimum (cold start)	0.2 bar (absolute) [24 in Hg vacuum]	
	Maximum	4 bar [58 psi]	
Case pressure	Rated	3 bar [44 psi]	
	Maximum	5 bar [73 psi]	
Lip seal external maximum pressure		0.4 [5.8 psi]	

¹⁾ Performance (pressure and displacement) may be limited due to limited control pressure.

²⁾ Full performance (pressure and displacement) possible at minimum charge and control pressure supply.

Fluid Specifications
Viscosity and Temperature range

Feature		Unit	Data
Viscosity	Intermittent ¹⁾	mm ² /s [SUS]	5 [42]
	Minimum		7 [49]
	Recommended range		12 – 80 [66 – 370]
	Maximum		1600 [7500]
Temperature range ²⁾	Minimum ³⁾ (Cold start)	°C [°F]	-40 [-40]
	Recommended range		60 – 85 [140 – 185]
	Rated		104 [220]
	Maximum Intermittent ¹⁾		115 [240]

¹⁾ Intermittent = Short term t < 1 min per incident and not exceeding 2 % of duty cycle based load-life

²⁾ At the hottest point, normally case drain port

³⁾ Cold start = Short term t < 3 min, p ≤ 50 bar [725 psi], n ≤ 1000 min⁻¹ (rpm)

Technical Information
H1 Axial Piston Single Pumps, Size 060/068
Technical specifications
Filtration, Cleanliness level and Efficiency β_x -ratio (Recommended Minimum)

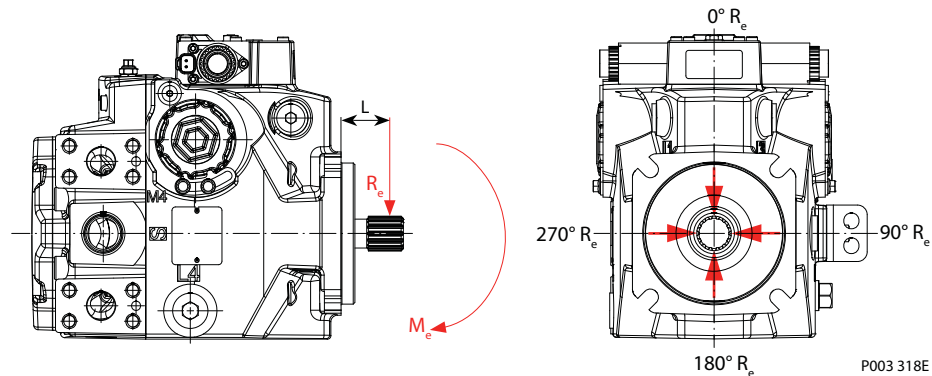
Cleanliness per ISO 4406	22/18/13
Efficiency β_x (charge pressure filtration)	$\beta_{15-20} = 75$ ($\beta_{10} \geq 10$)
Efficiency β_x (suction and return line Filtration)	$\beta_{35-45} = 75$ ($\beta_{10} \geq 2$)
Recommended inlet screen mesh size	100 – 125 μm

External Radial Shaft Loads

The pumps are designed with bearings that can accept some external radial loads. The external radial shaft load limits are a function of the load position and orientation, and the operating conditions of the unit. External radial shaft loads impact lifetime. For lifetime calculations please contact your Danfoss representative.

The maximum allowable radial load (R_e) is based on the maximum external moment (M_e) and the distance (L) from the mounting flange to the load. It may be determined using the following formula:

$$R_e = \frac{M_e}{L}$$

Radial load position


- M_e = shaft moment
- L = flange distance
- R_e = external force to the shaft

Thrust loads should be avoided. Contact your Danfoss representative in the event thrust loads are anticipated.

Bearing life H1P 060/068
Maximum external shaft load based on shaft deflection

External radial moment	Unit	Size 060 / 068
M_e	N·m [lbf·in]	104 [920]

All external shaft loads affect bearing life. In applications with external shaft loads, minimize the impact by positioning the load at 0° or 180° as shown in the figure.

Danfoss recommends clamp-type couplings for applications with radial shaft loads.

Contact your Danfoss representative for an evaluation of unit bearing life if you have continuously applied external loads exceeding 25 % of the maximum allowable radial load (R_e) or the pump swashplate is positioned on one side of center all or most of the time.

Technical Information

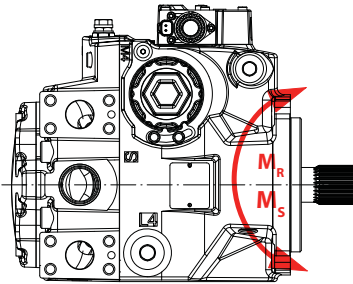
H1 Axial Piston Single Pumps, Size 060/068

Technical specifications

Mounting flange loads H1P 060/068

The moments shown below apply for top or side control orientation.

Mounting flange loads, Size 060/068



P001 916

Rated moment:

$$M_R = 2110 \text{ N}\cdot\text{m} [18\,680 \text{ lbf}\cdot\text{in}]$$

Shock load moment:

$$M_S = 5275 \text{ N}\cdot\text{m} [46\,690 \text{ lbf}\cdot\text{in}]$$

For more information, see *H1 Axial Piston Pumps, Basic Information*, **BC0000057**, the section "Mounting flange loads".

Technical specifications
Charge pump
Charge Pump Selection

In most applications a general guideline is that the charge pump displacement should be at least 10% of the total displacement of all components in the system. Unusual application conditions may require a more detailed review of charge flow requirements. System features and conditions which may invalidate the 10% guideline include (but are not limited to):

- Continuous operation at low input speeds <math> < 1500 \text{ min}^{-1} \text{ (rpm)} </math>
- High shock loading and/or long loop lines
- High flushing flow requirements
- Multiple low speed high torque motors
- High input shaft speeds

Contact your Danfoss representative for application assistance if your application includes any of these conditions.

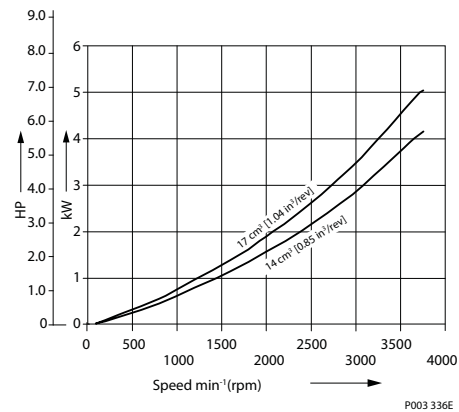
Charge pump flow and power curves, 14/17 cm³

Charge pressure: 20 bar [290 psi]

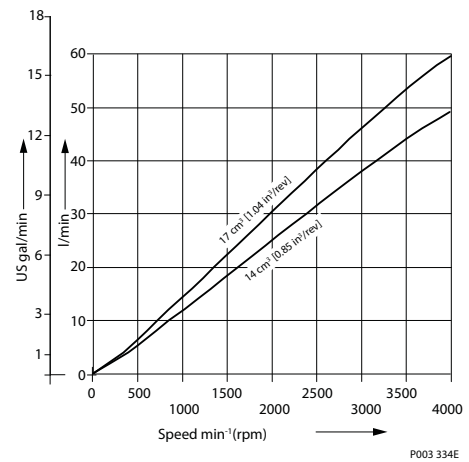
Viscosity: 11 mm²/s [63 SUS]

Temperature: 80°C [176°F]

Charge pump power requirements



Charge pump flow



Master Model Code

H1P **A** **B** **Z** **D** **F** **E** **G** **H** **J** **K** **M** **N** **S** **T** **V** **W** **X** **Y**

D – Controls — Automotive Control (AC)

Code	AC type	Voltage	MOR	Speed sensor	Wire harness	Angle sensor	DEUTSCH Connector
P6	AC-1	12 V	●	●	●	—	●
P7	AC-1	24 V	●	●	●	—	●
P8	AC-2	12 V	●	●	●	●	●
P9	AC-2	24 V	●	●	●	●	●
P5	AC-1	12 V	●	—	—	—	●
R3	AC-1	24 V	●	—	—	—	●
R4	AC-2	12 V	●	—	—	●	●
R5	AC-2	24 V	●	—	—	●	●

● – To be used for the control; — Not to be used for the control

D – Controls (continued) — Manual Displacement Control (MDC)

Code	Control type	CCO Voltage	CCO	Neutral Start Switch	DEUTSCH Connector
M1	MDC	—	—	—	—
M2	MDC	—	—	●	●
M3	MDC	12 V	●	—	●
M4	MDC	24 V	●	—	●
M5	MDC	12 V	●	●	●
M6	MDC	24 V	●	●	●

Align with options **F**: Orifices and **Y**: Settings for adjustment (if applicable).

D – Controls (continued) — Fan Drive Control (FDC)

Code	Control type	Voltage	DEUTSCH Connector
F1	FDC	12 V	●
F2	FDC	24 V	●

Align with options: **F**: Orifices, **E**: Displacement limiters, **M**, **N**: Overpressure protection, and **W**: Special hardware.

Master Model Code

H1P **A** **B** **Z** **D** **F** **E** **G** **H** **J** **K** **M** **N** **S** **T** **V** **W** **X** **Y**

S – Charge pump

F	14 cm ³ /rev [0.85 in ³ /rev]
C	17 cm ³ /rev [1.03 in ³ /rev]
N	No charge pump, external charge supply (Align with options: E and T)

T – Filtration (Align with option G – Endcap selection)

L	Suction filtration (see <i>H1P 060/068, suction filtration, option L</i> on page 60)
M	Integral full charge flow filtration with bypass, bypass sensor, medium filter length, 11004918
P	Remote full charge flow filtration
E	External charge flow filtration (Align with options: N and S)

V – Charge pressure relief setting

18	18 bar [261 psi]	Not to be used for NFPE, AC and FDC controls.
20	20 bar [290 psi]	
22	22 bar [319 psi]	
24	24 bar [348 psi]	
26	26 bar [377 psi]	
28	28 bar [406 psi]	
30	30 bar [435 psi]	
32	32 bar [464 psi]	
34	34 bar [493 psi]	

W – Special hardware features

PN	EDC / FNR / MDC valve plate
P1	NFPE valve plate (Align with options: D and E)
P2	NFPE / FDC / AC valve plate and speed ring on the cylinder block
P4	EDC / FNR / MDC valve plate with speed ring on the cylinder block (Align with options: D and E)
H1	MDC / EDC / FNR valve plate with MDC handle

X – Paint and nametag

NNN	Black paint and Danfoss nametag
------------	---------------------------------

Control Options

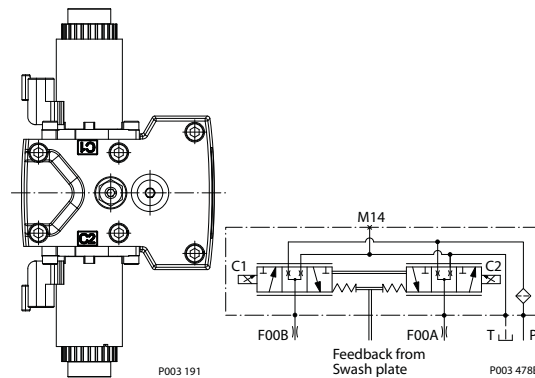
Electrical Displacement Control (EDC)

The Electrical Displacement Control (EDC) consists of a pair of proportional solenoids on each side of a three-position, four-way porting spool. The proportional solenoid applies a force input to the spool, which ports hydraulic pressure to either side of a double acting servo piston.

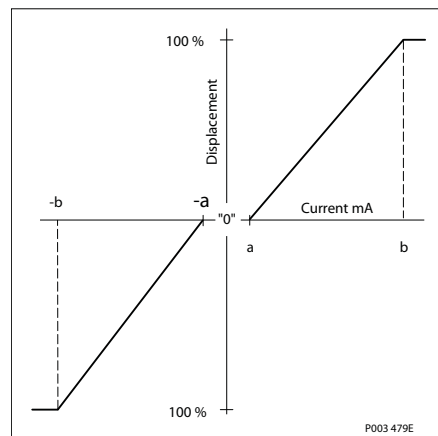
Differential pressure across the servo piston rotates the swashplate, changing the pump's displacement from full displacement in one direction to full displacement in the opposite direction.

Under some circumstances, such as contamination, the control spool could stick and cause the pump to stay at some displacement. A serviceable 125 µm screen is located in the supply line immediately before the control porting spool.

Electrical Displacement Control, with hydraulic schematic



Pump displacement vs. control current

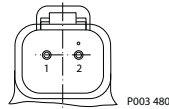


EDC Control Signal Requirements

Control minimum current to stroke pump

Voltage	a*	b	Pin connections
12 V	640 mA	1640 mA	any order
24 V	330 mA	820 mA	

* Factory test current, for vehicle movement or application actuation expect higher or lower value.

Control Options


P003 480

Connector ordering data

Description	Quantity	Ordering data
Mating connector	1	DEUTSCH DT06-2S
Wedge lock	1	DEUTSCH W2S
Socket contact (16 and 18 AWG)	2	DEUTSCH 0462-201-16141
Danfoss mating connector kit	1	K29657

EDC Solenoid Data

Description		12 V	24 V
Maximum current		1800 mA	920 mA
Nominal coil resistance	@ 20 °C [68 °F]	3.66 Ω	14.20 Ω
	@ 80 °C [176 °F]	4.52 Ω	17.52 Ω
Inductance		33 mH	140 mH
PWM signal frequency	Range	70 – 200 Hz	
	Recommended*	200 Hz	
IP Rating	IEC 60 529	IP 67	
	DIN 40 050, part 9	IP 69K with mating connector	
Connector color		Black	

* PWM signal required for optimum control performance.

Pump output flow direction vs. control signal

Shaft rotation	CW		CCW	
	C1	C2	C1	C2
Coil energized*				
Port A	out	in	in	out
Port B	in	out	out	in
Servo port pressurized	M4	M5	M4	M5

* For coil location see Installation drawings.

Control Response

H1 controls are available with optional control passage orifices to assist in matching the rate of swashplate response to the application requirements (e.g. in the event of electrical failure). The time required for the pump output flow to change from zero to full flow (acceleration) or full flow to zero (deceleration) is a net function of spool porting, orifices, and charge pressure. A swashplate response table is available for each frame indicating available swashplate response times. Testing should be conducted to verify the proper orifice selection for the desired response.

[H1 pumps are limited in mechanical orificing combinations. Mechanical servo orifices are to be used only for fail-safe return to neutral in the event of an electrical failure.](#)

Typical response times at the following conditions:

Δp	250 bar [3626 psi]
Viscosity and temperature	30 mm ² /s [141 SUS] and 50 °C [122 °F]

Control Options

Typical response times at the following conditions: (continued)

Charge pressure	20 bar [290 psi]
Speed	1800 min ⁻¹ (rpm)

Response time, EDC 060/068

Stroking direction	0.8 mm [0.03 in] Orifice	1.3 mm [0.05 in] Orifice	No orifice
Neutral to full flow	2.6 s	1.2 s	0.8 s
Full flow to neutral	1.7 s	0.8 s	0.4 s

Control Options

Manual Displacement Control (MDC)

A Manual proportional Displacement Control (**MDC**) consists of a handle on top of a rotary input shaft. The shaft provides an eccentric connection to a feedback link. This link is connected on its one end with a porting spool. On its other end the link is connected the pumps swashplate.

This design provides a travel feedback without spring. When turning the shaft the spool moves thus providing hydraulic pressure to either side of a double acting servo piston of the pump.

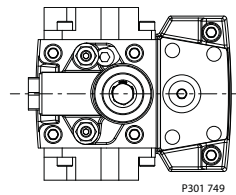
Differential pressure across the servo piston rotates the swash plate, changing the pump's displacement. Simultaneously the swashplate movement is fed back to the control spool providing proportionality between shaft rotation on the control and swashplate rotation.

The MDC changes the pump displacement between no flow and full flow into opposite directions. Under some circumstances, such as contamination, the control spool could stick and cause the pump to stay at some displacement.

A serviceable 125 µm screen is located in the supply line immediately before the control porting spool.

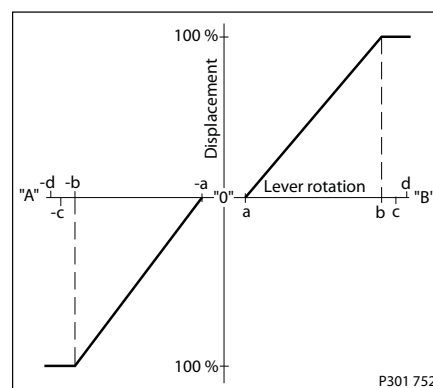
The MDC is sealed by means of a static O-ring between the actuation system and the control block. Its shaft is sealed by means of a special O-ring which is applied for low friction. The special O-ring is protected from dust, water and aggressive liquids or gases by means of a special lip seal.

Manual Displacement Control



P301 749

Pump displacement vs. control lever rotation



Legend:

Deadband on **B** side – $a = 3^\circ \pm 1^\circ$

Maximum pump stroke – $b = 30^\circ +2/-1^\circ$

Required customer end stop – $c = 36^\circ \pm 3^\circ$

Internal end stop – $d = 40^\circ$

MDC Torque

Description	Value
Torque required to move handle to maximum displacement	1.4 N·m [12.39 lbf·in]
Torque required to hold handle at given displacement	0.6 N·m [5.31 lbf·in]
Maximum allowable input torque	20 N·m [177 lbf·in]

Control Options

! Caution

Volumetric efficiencies of the system will have impacts on the start and end input commands.

MDC General Information

In difference to other controls the MDC provides a mechanical deadband. This is required to overcome the tolerances in the mechanical actuation.

The MDC contains an internal end stop to prevent over travel. The restoring moment is appropriate for turning the MDC input shaft back to neutral only. Any linkages or cables may prevent the MDC from returning to neutral.

The MDC is designed for a maximum case pressure of 5 bar and a rated case pressure of 3 bar. If the case pressure exceeds 5 bar there is a risk of an insufficient restoring moment. In addition a high case pressure can cause the NSS to indicate that the control is not in neutral. High case pressure may cause excessive wear.

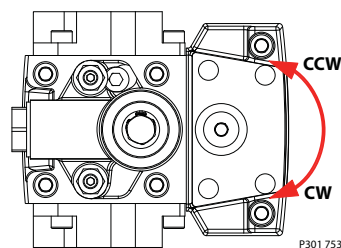
Customers can apply their own handle design but they must care about a robust clamping connection between their handle and the control shaft and avoid overload of the shaft.

Customers can connect two MDC's on a tandem unit in such a way that the actuation force will be transferred from the pilot control to the second control but the kinematic of the linkages must ensure that either control shaft is protected from torque overload. To avoid an overload of the MDC, customers must install any support to limit the setting range of the Bowden cable.

! Caution

Using the internal spring force on the input shaft is not an appropriate way to return the customer connection linkage to neutral.

MDC Shaft Rotation



MDC shaft rotation data

Pump shaft rotation*	Clock Wise (CW)		Counter Clock Wise (CCW)	
	CW	CCW	CW	CCW
Port A	in (low)	out (high)	out (high)	in (low)
Port B	out (high)	in (low)	in (low)	out (high)
Servo port high pressure	M5	M4	M5	M4

* As seen from shaft side.

Control Response

H1 controls are available with optional control passage orifices to assist in matching the rate of swashplate response to the application requirements (e.g. in the event of electrical failure). The time required for the pump output flow to change from zero to full flow (acceleration) or full flow to zero (deceleration) is a net function of spool porting, orifices, and charge pressure. A swashplate response table is available for each frame indicating available swashplate response times. Testing should be conducted to verify the proper orifice selection for the desired response.

Control Options

H1 pumps are limited in mechanical orificing combinations. Mechanical servo orifices are to be used only for fail-safe return to neutral in the event of an electrical failure.

Typical response times at the following conditions:

Δp	250 bar [3626 psi]
Viscosity and temperature	30 mm ² /s [141 SUS] and 50 °C [122 °F]
Charge pressure	20 bar [290 psi]
Speed	1800 min ⁻¹ (rpm)

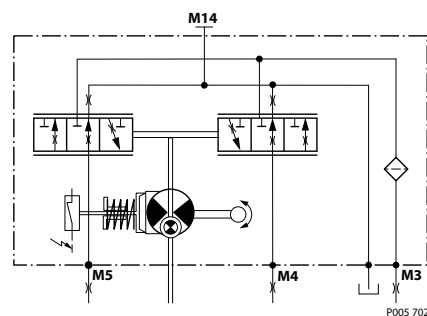
Response time, MDC 060/068

Code	Orifice description (mm)				Stroking direction (sec)	
	P	A	B	Tank (A+B)	Neutral to full flow	Full flow to neutral
C3	–	–	–	–	0.4	0.4
C6	–	–	–	1	1.1	1.0
C7	–	–	–	1.3	0.7	0.7
C8	0.8	–	–	0.6	3.6	2.6
C9	1	–	–	0.6	3.3	2.4
D1	1	–	–	0.8	2.1	1.5
D2	1.3	–	–	0.8	1.8	1.4
D3	1.3	–	–	1	1.3	1.0
D4	1.3	1.3	1.3	1	1.6	1.2
D5	0.6	0.8	0.8	0.6	6.5	3.6

Neutral Start Switch (NSS)

The Neutral Start Switch (**NSS**) contains an electrical switch that provides a signal of whether the control is in neutral. The signal in neutral is Normally Closed (**NC**).

Neutral Start Switch schematic



Neutral Start Switch data

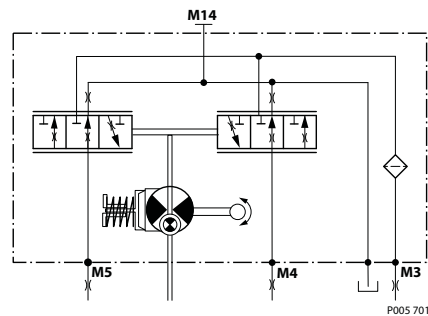
Max. continuous current with switching	8.4 A
Max. continuous current without switching	20 A
Max. voltage	36 V _{DC}
Electrical protection class	IP67 / IP69K with mating connector

Control Options

Case Gauge Port M14

The drain port should be used when the control is mounted on the unit's bottom side to flush residual contamination out of the control.

MDC schematic diagram

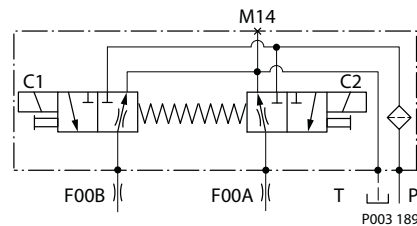
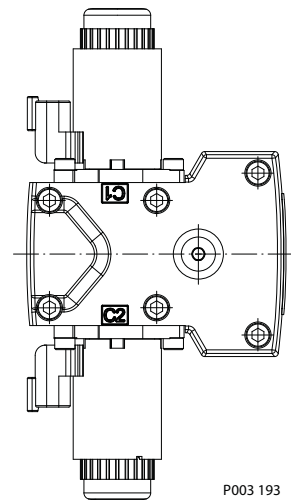
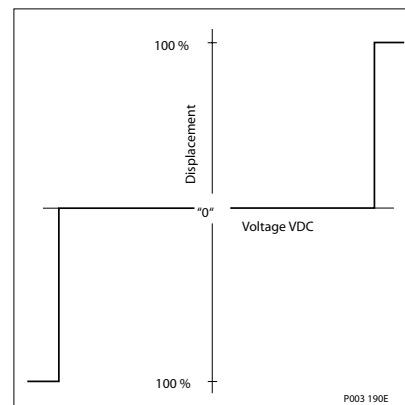


Lever

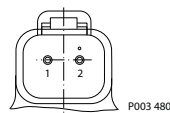
MDC-controls are available with an integrated lever.

Control Options
Forward-Neutral-Reverse electric control (FNR), options: A9 (12 V) and B1 (24 V)

The 3-position **FNR** control uses an electric input signal to switch the pump to a full stroke position. Under some circumstances, such as contamination, the control spool could stick and cause the pump to stay at some displacement. A serviceable 125 µm screen is located in the supply line immediately before the control porting spool.

Forward-Neutral-Reverse electric control (FNR) FNR hydraulic schematic

Pump displacement vs. electrical signal

Control current

Voltage	Min. current to stroke pump	Pin connections
12 V	750 mA	any order
24 V	380 mA	


Connector ordering data

Description	Quantity	Ordering data
Mating connector	1	DEUTSCH DT06-2S
Wedge lock	1	DEUTSCH W2S
Socket contact (16 and 18 AWG)	2	DEUTSCH 0462-201-16141
Danfoss mating connector kit	1	K29657

Control Options
Solenoid data

Voltage	12 V	24 V
Minimum supply voltage	9.5 V _{DC}	19 V _{DC}
Maximum supply voltage (continuous)	14.6 V _{DC}	29 V _{DC}
Maximum current	1050 mA	500 mA
Nominal coil resistance @ 20 °C [70 °F]	8.4 Ω	34.5 Ω
PWM Range	70-200 Hz	
PWM Frequency (preferred)*	100 Hz	
IP Rating (IEC 60 529) + DIN 40 050, part 9	IP 67 / IP 69K (part 9 with mating connector)	
Bi-directional diode cut off voltage	28 V _{DC}	53 V _{DC}

* PWM signal required for optimum control performance.

Pump output flow direction vs. control signal

Shaft rotation	CW		CCW	
	C1	C2	C1	C2
Coil energized*				
Port A	in	out	out	in
Port B	out	in	in	out
Servo port pressurized	M5	M4	M5	M4

* For coil location see [Installation drawings](#) on page 46.

Control Response

H1 controls are available with optional control passage orifices to assist in matching the rate of swashplate response to the application requirements (e.g. in the event of electrical failure). The time required for the pump output flow to change from zero to full flow (acceleration) or full flow to zero (deceleration) is a net function of spool porting, orifices, and charge pressure. A swashplate response table is available for each frame indicating available swashplate response times. Testing should be conducted to verify the proper orifice selection for the desired response.

H1 pumps are limited in mechanical orificing combinations. Mechanical servo orifices are to be used only for fail-safe return to neutral in the event of an electrical failure.

Typical response times at the following conditions:

Δp	250 bar [3626 psi]
Viscosity and temperature	30 mm ² /s [141 SUS] and 50 °C [122 °F]
Charge pressure	20 bar [290 psi]
Speed	1800 min ⁻¹ (rpm)

FNR response time 060/068

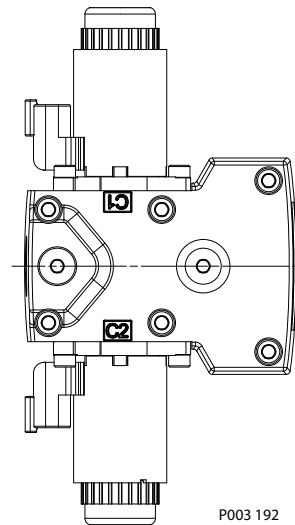
Stroking direction	0.8 mm [0.03 in] orifice	1.3 mm [0.05 in] orifice	No orifice
Neutral to full flow	2.2 s	1.0 s	1.1 s
Full flow to neutral	2.0 s	0.9 s	0.8 s

Control Options
Non Feedback Proportional Electric Control (NFPE)

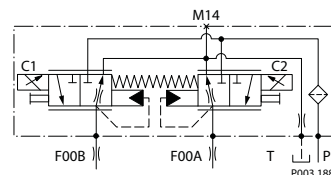
The Non Feedback Proportional Electric (**NFPE**) control is an electrical automotive control in which an electrical input signal activates one of two proportional solenoids that port charge pressure to either side of the pump servo cylinder. The NFPE control has no mechanical feedback mechanism.

A serviceable 170 μm screen is located in the supply line immediately before the control porting spool.

Non Feedback Proportional Electric Control



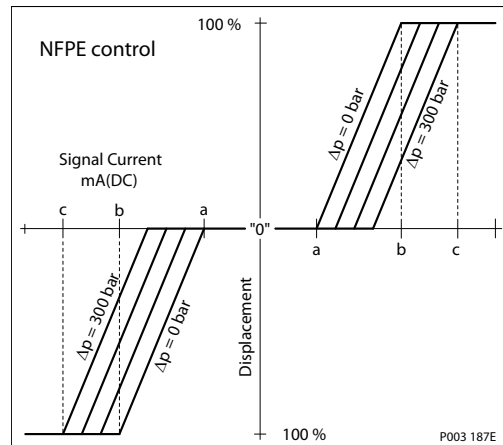
NFPE schematic



The pump displacement is proportional to the solenoid signal current, but it also depends upon pump input speed and system pressure. This characteristic also provides a power limiting function by reducing the pump swashplate angle as system pressure increases. A typical response characteristic is shown in the accompanying graph. Under some circumstances, such as contamination, the control spool could stick and cause the pump to stay at some displacement.

Control Options

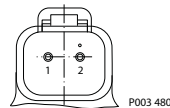
Pump displacement vs. input signal


Control Signal Requirements, NFPE 060/068

Control current

Voltage	a*	b	c	Pin connections
12 V	694 mA	1114 mA	1490 mA	any order
24 V	347 mA	583 mA	745 mA	

* Factory test current, for vehicle movement or application actuation expect higher or lower value.



Connector ordering data

Description	Quantity	Ordering data
Mating connector	1	DEUTSCH DT06-2S
Wedge lock	1	DEUTSCH W2S
Socket contact (16 and 18 AWG)	2	DEUTSCH 0462-201-16141
Danfoss mating connector kit	1	K29657

Description	12 V	24 V
Maximum current	1800 mA	920 mA
Nominal coil resistance	@ 20 °C [68 °F]	3.66 Ω
	@ 80 °C [176 °F]	4.52 Ω
Inductance	33 mH	140 mH
PWM signal frequency	Range	70 – 200 Hz
	Recommended*	200 Hz
IP Rating	IEC 60 529	IP 67
	DIN 40 050, part 9	IP 69K with mating connector
Connector color	Black	

* PWM signal required for optimum control performance.

Control Options
Pump output flow direction vs. control signal

Shaft rotation	CW		CCW	
Coil energized*	C1	C2	C1	C2
Port A	in	out	out	in
Port B	out	in	in	out
Servo port pressurized	M5	M4	M5	M4

* For coil location see Installation drawings.

Control Response

H1 controls are available with optional control passage orifices to assist in matching the rate of swashplate response to the application requirements (e.g. in the event of electrical failure). The time required for the pump output flow to change from zero to full flow (acceleration) or full flow to zero (deceleration) is a net function of spool porting, orifices, and charge pressure. A swashplate response table is available for each frame indicating available swashplate response times. Testing should be conducted to verify the proper orifice selection for the desired response.

H1 pumps are limited in mechanical orificing combinations. Mechanical servo orifices are to be used only for fail-safe return to neutral in the event of an electrical failure.

Typical response times at the following conditions:

Δp	250 bar [3626 psi]
Viscosity and temperature	30 mm ² /s [141 SUS] and 50 °C [122 °F]
Charge pressure	20 bar [290 psi]
Speed	1800 min ⁻¹ (rpm)

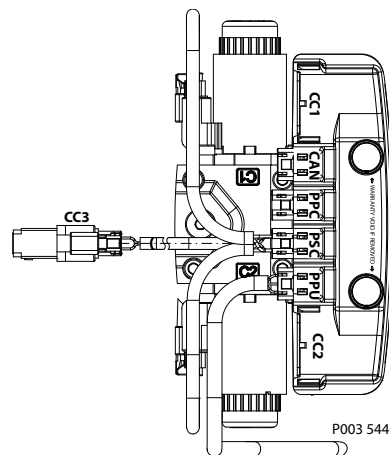
Response Time, NFPE 060/068

Stroking direction	0.8 mm [0.03 in] orifice	1.3 mm [0.05 in] orifice	2.3 mm [0.09 in] orifice
Neutral to full flow	2.5 s	1.1 s	0.6 s
Full flow to neutral	1.9 s	0.6 s	0.3 s

Control Options

Automotive Control (AC)

The H1 **Automotive Control (AC)** is an electric NFPE Control with an integrated microcontroller, installed on the pump. The integrated microcontroller enhanced control performance with a flexible, configurable control scheme for an entire single path propel transmission. It can be used in combination with fixed and variable displacement hydraulic-motors. With the pre-installed application software and easily changeable control parameters, it is possible to tailor the vehicle's driving behavior to the individual requirements of the customer.



The H1 Automotive Control is divided into 2 systems:

- AC-1
- AC-2

AC-2 is an extension of AC-1 that features an integrated pump swash plate angle sensor and software enabled functions such as Swash Plate Control.

Mode types

The application software provides 3 different hydrostatic propel methods, defined as mode types, which can be used individually.

- **Automotive Load dependent** (torque controlled) driving behavior. Setpoint for the drive curve is the engine rpm.
- **Non-Automotive Load independent** (speed controlled) driving mode. Setpoint for the drive curve is a Joystick or drive pedal signal, independent of the engine rpm. The best performance will be achieved with an AC-2 Swash Plate Angle Sensor.
- **Creep-Automotive Load dependent** (torque controlled) driving behavior (like Automotive). Setpoint for the drive curve is the engine rpm. The setpoint can be reduced by the creep potentiometer if a high engine rpm in combination with low vehicle speed is needed.

Basic functions

- Four selectable system modes, selectable via switch.
- Individual settings for forward and reverse driving direction (4 x 2 curves).
- Independent pump and hydraulic-motor profiling and ramping for each mode.
- Electric drive pedal connection
- Electronic inching function without separate control valve
- Electric creep mode potentiometer

Control Options

- Configurable System Mode & Direction change
- Load independent pump displacement control with integrated Swash Plate Angle Sensor (AC-2)
- Hydraulic-motor displacement control including brake pressure defeat function

Performance functions

- ECO fuel saving mode with automatic reduction of the engine speed during transport (Cruise control)
- Vehicle constant speed drive control
- Vehicle speed limitation
- Dynamic brake light, automatic park brake, reverse buzzer and status LED outputs
- Vehicle speed controlled output function.
- Temperature compensation for predictable performance
- Advanced CAN J1939 interface for the information exchange with the vehicle control system

Protection and safety functions

- Safety controlled vehicle start protection with engine speed check, battery check and FNR must be in neutral, etc..
- Operator presence detection
- Hydraulic system overheat and low-temperature protection
- Hydraulic motor over speed protection
- Park brake test mode for roller applications to fulfill SAE J1472 / EN500-4.
- SIL2 compliant

Engine control and protection

- CAN J1939 engine interface
- Engine speed control via drive pedal with safety controlled monitoring function
- Engine antistall protection
- Engine over speed protection during inching
- Engine speed dependent Retarder control
- Engine cold start protection

Installation features

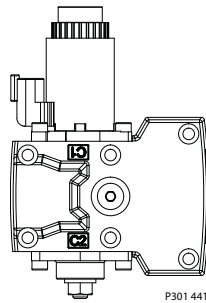
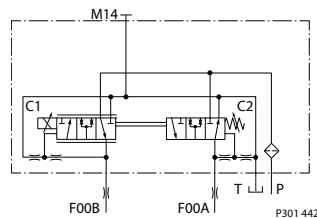
- Factory calibration for hysteresis compensation.
- Starting current adjustment in the factory
- Pre-installed application software and parameter files

For more information, see *Automotive Control for H1 Single Pumps Technical Information*, **BC00000213**.

Control Options
Fan Drive Control (FDC)

The Fan Drive Control (**FDC**) is a non-feedback control in which an electrical input signal activates the proportional solenoid that ports charge pressure to either side of the pump servo cylinder. The single proportional solenoid is used to control pump displacement in the forward or reverse direction. The control spool is spring biased to produce maximum forward pump displacement in the absence of an electrical input signal. Based on the spring bias spool default forward flow for a CW rotation pump is out of Port B while default forward flow for a CCW rotation pump is out of Port A.

The pump displacement is proportional to the solenoid signal current, but it also depends upon pump input speed and system pressure. This characteristic also provides a power limiting function by reducing the pump swashplate angle as system pressure increases. The pump should be configured with 0.8 mm control orifices to provide slowest response and maximize system stability. Additionally pressure limiter (PL) valves are used to limit maximum fan trim speed in both (forward and reverse) directions.

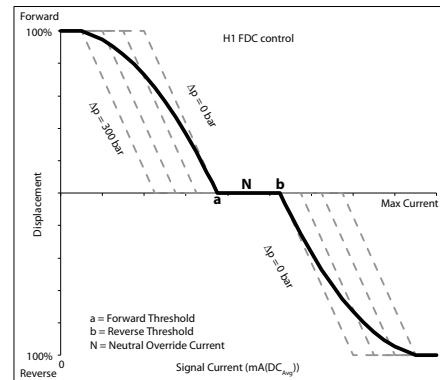
FDC control

FDC hydraulic schematic


H1 pumps with FDC will be delivered from factory with nominal PL setting of 150 bar [2175 psi]. The PL must be re-adjusted to ensure that the fan reaches the desired fan speed to satisfy the cooling needs of the system. HPRV setting must be always at least 30 bar [435 psi] higher than PL setting.

Under some circumstances, such as contamination, the control spool could stick and cause the pump to stay at some displacement.

For more information necessary to properly size and configure a hydraulic fan drive system, see *Hydraulic Fan Drive Design Guidelines AB00000019*.

Use in other systems could result in unintended movement of the machine or it's elements. Loss of the input signal to this control will cause the pump to produce maximum flow.
 The FDC is for Fan Drive systems only!

Control Options
Pump displacement vs. control current


P301 443

Control Response

H1 controls are available with optional control passage orifices to assist in matching the rate of swashplate response to the application requirements (e.g. in the event of electrical failure). The time required for the pump output flow to change from zero to full flow (acceleration) or full flow to zero (deceleration) is a net function of spool porting, orifices, and charge pressure. A swashplate response table is available for each frame indicating available swashplate response times. Testing should be conducted to verify the proper orifice selection for the desired response.

H1 pumps are limited in mechanical orificing combinations. Mechanical servo orifices are to be used only for fail-safe return to neutral in the event of an electrical failure.

Typical response times at the following conditions:

Δp	250 bar [3626 psi]
Viscosity and temperature	30 mm ² /s [141 SUS] and 50 °C [122 °F]
Charge pressure	20 bar [290 psi]
Speed	1800 min ⁻¹ (rpm)

Response time, FDC

Stroking direction	0.8 mm [0.03 in] orifice
Full flow to neutral	2.6 s
Full forward flow to full reverse flow	3.7 s

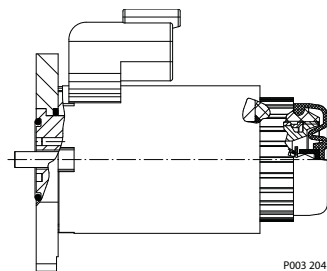
Control Options

Manual Over Ride (MOR)

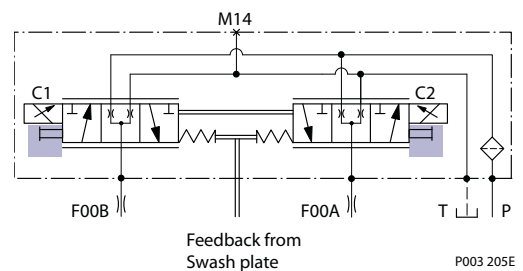
All controls are available with a Manual Over Ride (MOR) either standard or as an option for temporary actuation of the control to aid in diagnostics.

Forward-Neutral-Reverse (FNR) and Non Feedback Proportional Electric (NFPE) controls are always supplied with MOR functionality.

Manual OverRide (MOR)



MOR schematic diagram (EDC shown)



Unintended MOR operation will cause the pump to go into stroke. The vehicle or device must always be in a „safe“ condition (i.e. vehicle lifted off the ground) when using the MOR function.

The MOR plunger has a 4 mm diameter and must be manually depressed to be engaged. Depressing the plunger mechanically moves the control spool which allows the pump to go on stroke.

The MOR should be engaged anticipating a full stroke response from the pump.

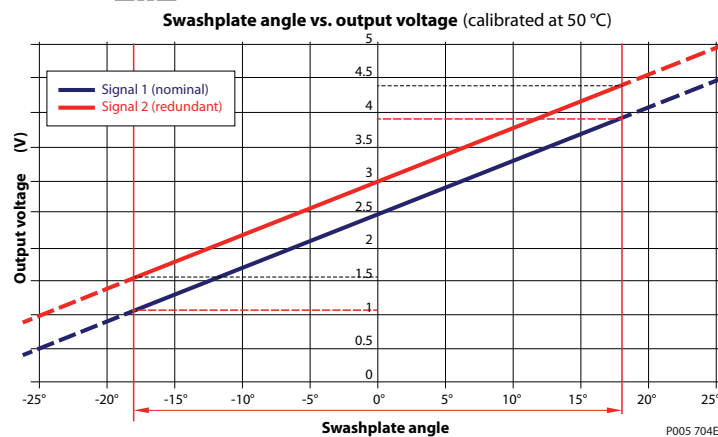
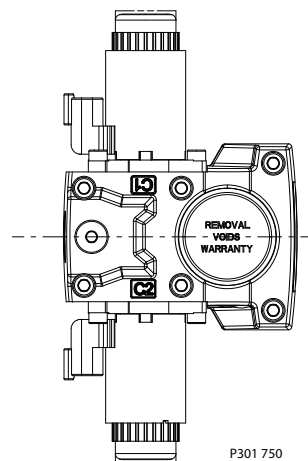
Warning

An o-ring seal is used to seal the MOR plunger where initial actuation of the function will require a force of 45 N to engage the plunger. Additional actuations typically require less force to engage the MOR plunger. Proportional control of the pump using the MOR should not be expected.

Refer to control flow table for the relationship of solenoid to direction of flow.

Control Options
Swash plate angle sensor for NFPE and AC2 controls

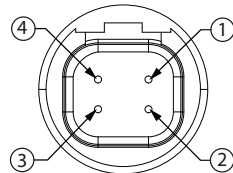
The angle sensor detects the swash plate angle position and direction of rotation from the zero position. The swash angle sensor works on the AMR sensing technology. Under the saturated magnetic field, the resistance of the element varies with the magnetic field direction. The output signal give a linear output voltage for the various magnet positions in the sensing range. The swashplate angle sensor is available for all NFPE and AC2 controls.


Swash Plate Angle Sensor Parameters

Parameter	Minimum	Typical	Maximum
Supply voltage range	4.75 V	5 V	5.25 V
Supply protection	–	–	28 V
Supply current	–	22 mA	25 mA
Output current (Signal 1, 2)	–	0.1 mA	–
Short circuit output current to supply or GND ¹⁾	–	–	7.5 mA
Sensitivity	70.0 mV/deg	78.0 mV/deg	85.8 mV/deg
Working range (swashplate angle)	–18°C	0°C	18°C
Correlation between signals 1 and 2 ²⁾	475 mV	500 mV	525 mV

¹⁾ Up to duration of 2.5 seconds at 25°C

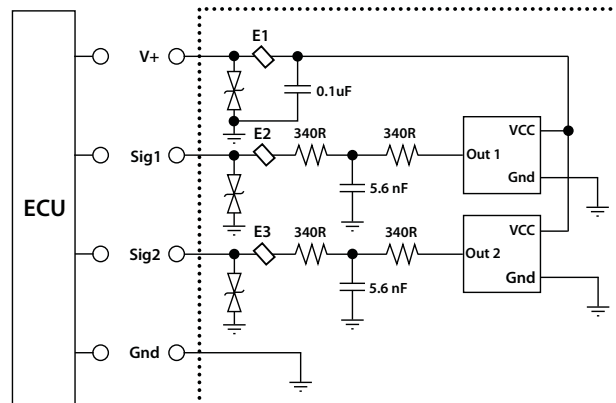
²⁾ Signal 1 (nominal) is lower than signal 2 (redundant)

Control Options
Swash plate angle sensor connector
Pin assignment


1. Ground (GND)
2. Output Signal 2 (SIG2) – Secondary (redundant)
3. Output Signal 1 (SIG1) – Primary (nominal)
4. Supply (V+)

Swash angle sensor connector order numbers

Description	Quantity	Ordering number
Mating connector DEUTSCH DTM06-4S-E004	1	11105824
Wedge lock DEUTSCH W4S	1	11084558
Socket contact (16-18 AWG)DEUTSCH 0462-201-16141	2	K02325

Interface with ECU
Interface with ECU schematic


Minimum recommended load resistance is 100 kΩ.

Control Options

Control-Cut-Off valve (CCO valve)

The H1 pump offers an optional control cut off valve integrated into the control. This valve will block charge pressure to the control, allowing the servo springs to de-stroke both pumps regardless of the pump's primary control input. There is also a hydraulic logic port, X7, which can be used to control other machine functions, such as spring applied pressure release brakes. The pressure at X7 is controlled by the control cut off solenoid. The X7 port would remain plugged if not needed.

In the normal (de-energized) state of the solenoid charge flow is prevented from reaching the controls. At the same time the control passages and the X7 logic port are connected and drained to the pump case. The pump will remain in neutral, or return to neutral, independent of the control input signal. Return to neutral time will be dependent on oil viscosity, pump speed, swashplate angle, and system pressure.

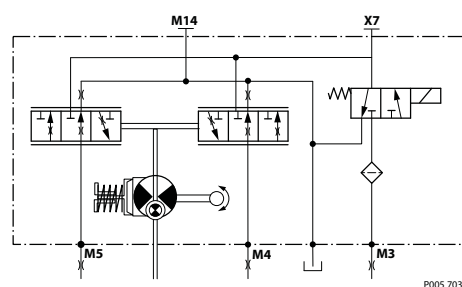
When the solenoid is energized, charge flow and pressure is allowed to reach the pump control. The X7 logic port will also be connected to charge pressure and flow.

The solenoid control is intended to be independent of the primary pump control making the control cut off an override control feature. It is however recommended that the control logic of the CCO valve be maintained such that the primary pump control signal is also disabled whenever the CCO valve is de-energized. Other control logic conditions may also be considered.

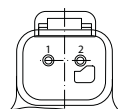
All EDC and MDC controls are available with a CCO valve. The CCO-valve is available with 12 V or 24 V solenoid.

The response time of the unit depends on the control type and the used control orifices.

CCO schematic (MDC shown)



CCO connector



Connector ordering data

Description	Quantity	Ordering number
Mating connector	1	DEUTSCH DT06-2S
Wedge lock	1	DEUTSCH W2S
Socket contact (16 and 18 AWG)	2	DEUTSCH 0462-201-16141

CCO solenoid data

Nominal supply voltage		12 V	24 V
Supply voltage	Maximum	14.6 V	29 V
	Minimum	9.5 V	19 V
Nominal coil resistance at 20°C		10.7 Ω	41.7 Ω

Control Options

Nominal supply voltage		12 V	24 V
Supply current	Maximum	850 mA	430 mA
	Minimum	580 mA	300 mA
PWM frequency	Range	50-200 Hz	50-200 Hz
	Preferred	100 Hz	100 Hz
Electrical protection class		IP67 / IP69K with mating connector	
Bi-directional diode cut off voltage		28 V	53 V

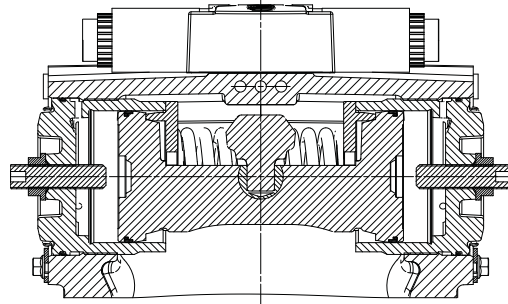
Brake gauge port with MDC
 **Caution**

It is not recommended to use brake port for any external flow consumption to avoid malfunction of CCO function.

Control Options
Displacement limiter

H1 pumps are designed with optional mechanical displacement (stroke) limiters factory set to max. displacement. The maximum displacement of the pump can be set independently for forward and reverse using the two adjustment screws to mechanically limit the travel of the servo piston down to 50 % displacement.

Adjustments under operating conditions may cause leakage. The adjustment screw can be completely removed from the threaded bore if backed out to far.



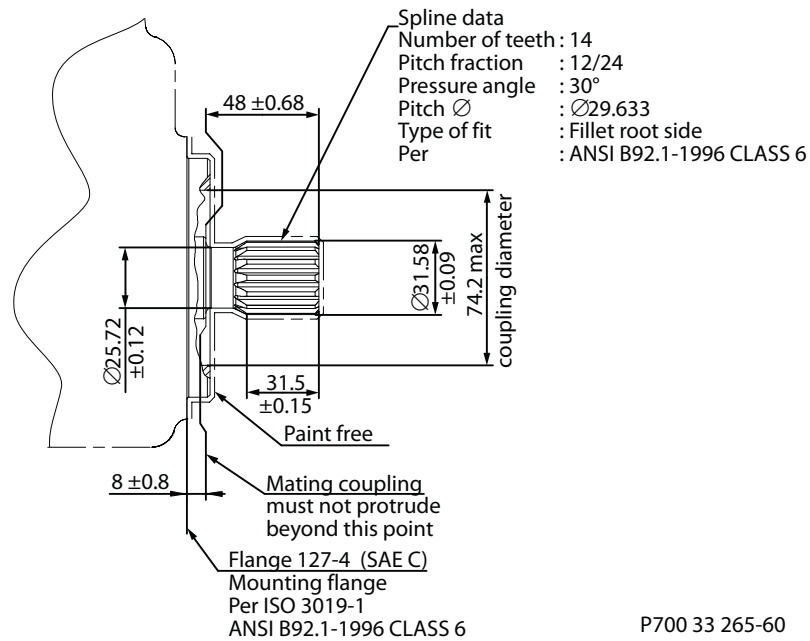
P003 266

Displacement change (approximately) H1P 060/068

Parameter	Size 060	Size 068
1 Turn of displacement limiter screw	5.9 cm ³ [0.36 in ³]	6.6 cm ³ [0.40 in ³]
Internal wrench size	4 mm	
External wrench size	13 mm	
Torque for external hex seal lock nut	23 N•m [204 lbf•in]	

For more information, see *H1 Axial Piston Pumps, Service Manual, AX00000087*, the section "Displacement Limiter Adjustment".

Technical Information

H1 Axial Piston Single Pumps, Size 060/068
Dimensions
Input shaft, option G1 (SAE C, 14 teeth)
Option G1, ISO 3019-1, outer dia 32 mm-4 (SAE C, 14 teeth) 060/068

Specifications

Option	G1	
Spline	14 teeth, 12/24 pitch	
Min. active spline length ¹⁾	31.45 mm [1.238 in]	
Torque rating ²⁾	Rated	534 N·m [4720 lbf·in]
	Maximum	592 N·m [5240 lbf·in]

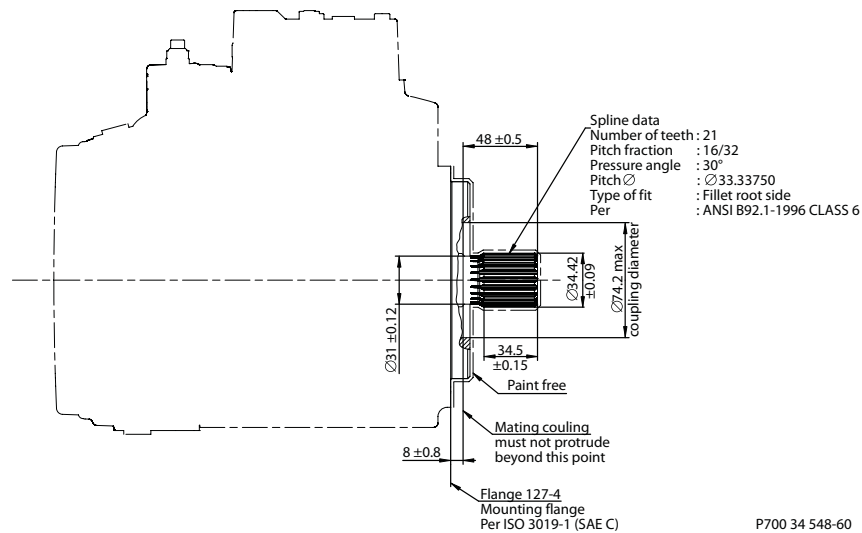
¹⁾ Minimum active spline length for the specified torque ratings.

²⁾ For definitions of maximum and rated torque values, refer to *Basic Information 11062168*, section Shaft Torque Ratings and Spline Lubrication.

Technical Information

H1 Axial Piston Single Pumps, Size 060/068
Dimensions
Input shaft, option F1 (SAE C, 21 teeth) 045/053

Option F1, ISO 3019-1, outer dia 35 mm-4 (SAE C, 21 teeth)

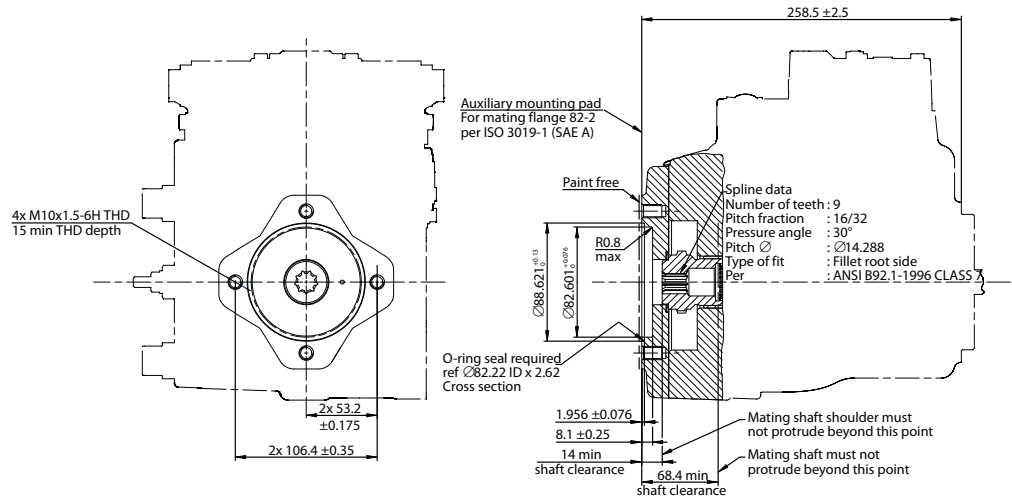

Specifications

Option	F1
Spline	21 teeth, 16/32 pitch
Min. active spline length ¹⁾	34.5 mm [1.358 in]
Torque rating ²⁾	Rated
	Maximum
	760 N·m [6730 lbf·in]
	1137 N·m [10 060 lbf·in]

¹⁾ Minimum active spline length for the specified torque ratings.

²⁾ For definitions of maximum and rated torque values, refer to *Basic Information 11062168*, section Shaft Torque Ratings and Spline Lubrication.

Technical Information

H1 Axial Piston Single Pumps, Size 060/068
Dimensions
H1P Auxiliary mounting, option H2 (SAE A, 9 teeth)
Option H2, ISO 3019-1, flange 82-2 (SAE A, 9 teeth)


P700 33 318-60

Specifications

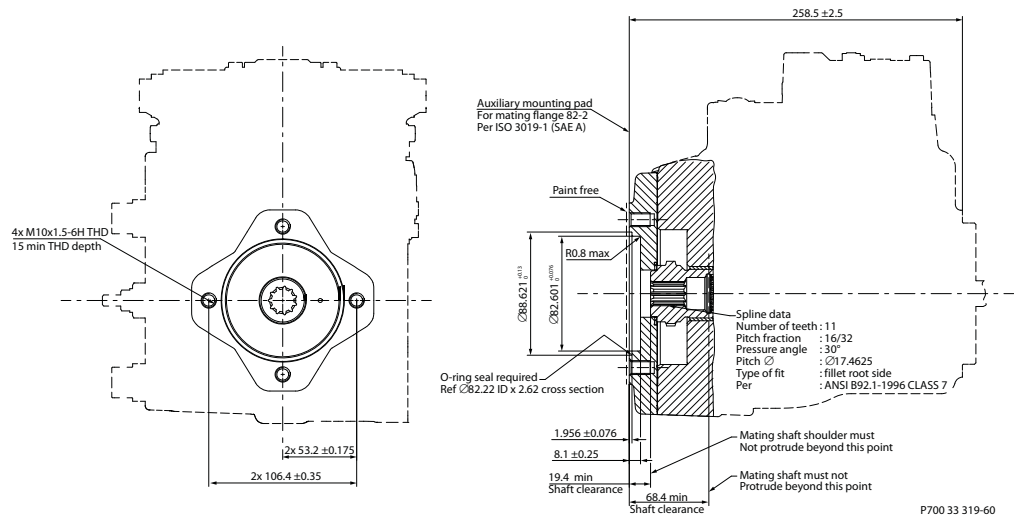
Option	H2
Spline	9 teeth, 16/32 pitch
Maximum torque¹⁾	162 N·m [1430 lbf·in]

¹⁾ For definitions of maximum and rated torque values, refer to *Basic Information 11062168*, section Shaft Torque Ratings and Spline Lubrication.

 **Caution**

Standard pad cover is installed only to retain coupling during shipping. Do not operate pump without an auxiliary pump or running cover installed.

Technical Information

H1 Axial Piston Single Pumps, Size 060/068
Dimensions
H1P Auxiliary mounting, option H1 (SAE A, 11 teeth)
Option H1, ISO 3019-1, flange 82-2 (SAE A, 11 teeth)

Specifications

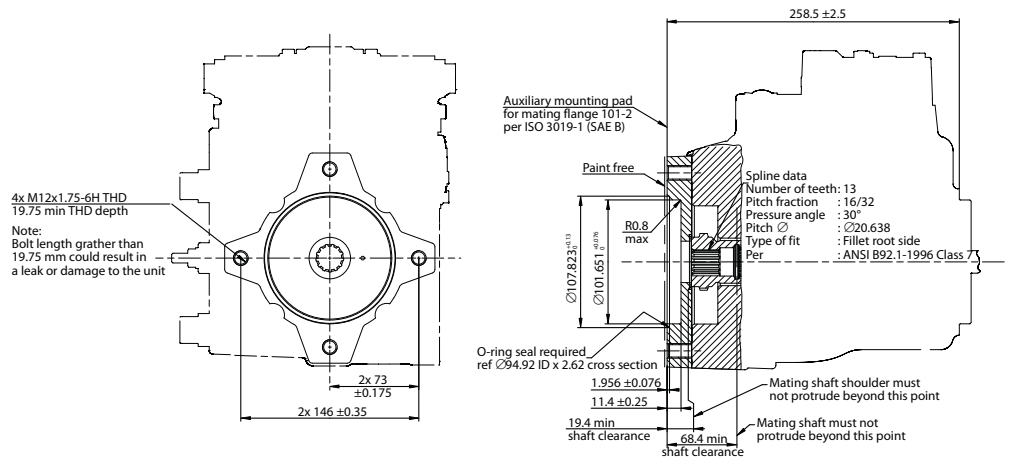
Option	H1
Spline	11 teeth, 16/32 pitch
Maximum torque¹⁾	296 N·m [2620 lbf·in]

¹⁾ For definitions of maximum and rated torque values, refer to *Basic Information 11062168*, section Shaft Torque Ratings and Spline Lubrication.

 **Caution**

Standard pad cover is installed only to retain coupling during shipping. Do not operate pump without an auxiliary pump or running cover installed.

Technical Information

H1 Axial Piston Single Pumps, Size 060/068
Dimensions
H1P Auxiliary mounting, option H3 (SAE B, 13 teeth)
Option H3, ISO 3019-1, flange 101-2 (SAE B, 13 teeth)


P700 33 32060

Specifications

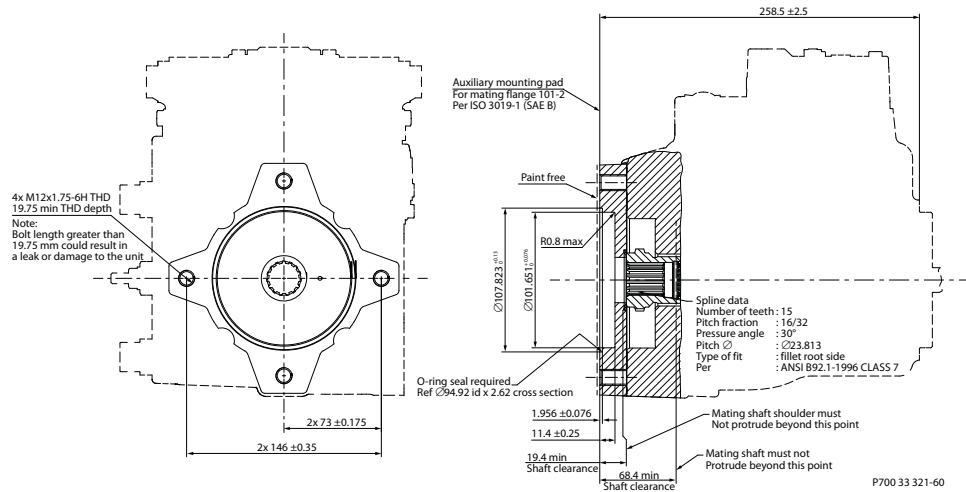
Option	H3
Spline	13 teeth, 16/32 pitch
Maximum torque¹⁾	395 N·m [3500 lbf·in]

¹⁾ For definitions of maximum and rated torque values, refer to *Basic Information 11062168*, section Shaft Torque Ratings and Spline Lubrication.

 **Caution**

Standard pad cover is installed only to retain coupling during shipping. Do not operate pump without an auxiliary pump or running cover installed.

Technical Information

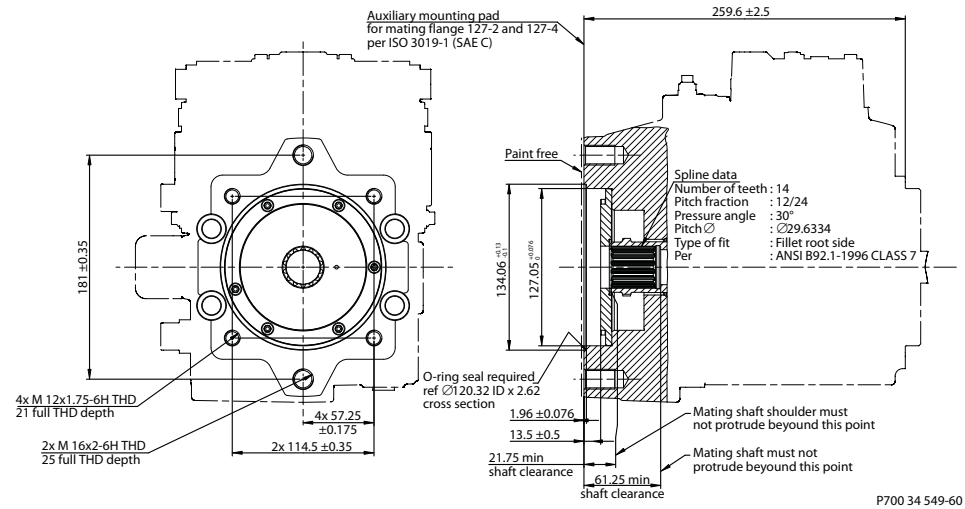
H1 Axial Piston Single Pumps, Size 060/068
Dimensions
H1P Auxiliary mounting, option H5 (SAE B-B, 15 teeth)
Option H5, ISO 3019-1, flange 101-2 (SAE B-B, 15 teeth)

Specifications

Option	H5
Spline	15 teeth, 16/32 pitch
Maximum torque ¹⁾	693 N·m [6130 lbf·in]

¹⁾ For definitions of maximum and rated torque values, refer to *Basic Information 11062168*, section Shaft Torque Ratings and Spline Lubrication.

! Caution

Standard pad cover is installed only to retain coupling during shipping. Do not operate pump without an auxiliary pump or running cover installed.

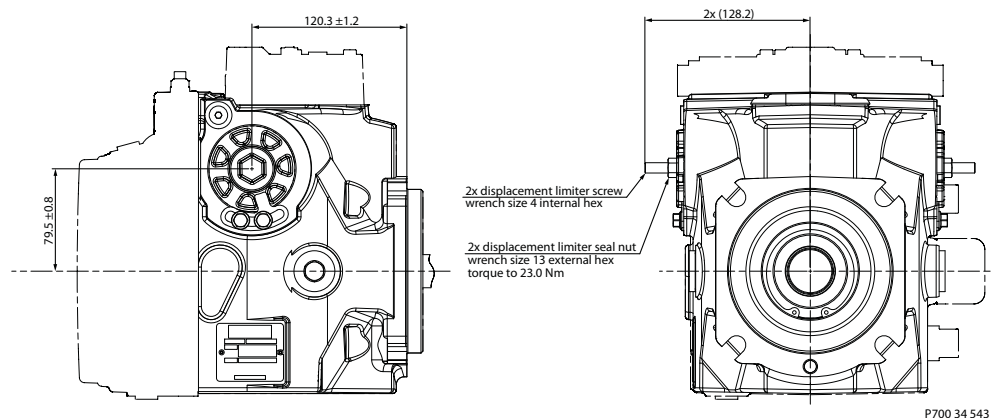
Technical Information
H1 Axial Piston Single Pumps, Size 060/068
Dimensions
H1P Auxiliary mounting, option H6 (SAE C, 14 teeth)
Option H6, ISO 3019-1, flange 127-4 (SAE C, 14 teeth)

Specifications

Option	H6
Spline	14 teeth, 12/24 pitch
Maximum torque ¹⁾	816 N·m [7220 lbf·in]

¹⁾ For definitions of maximum and rated torque values, refer to *Basic Information 11062168*, section Shaft Torque Ratings and Spline Lubrication.

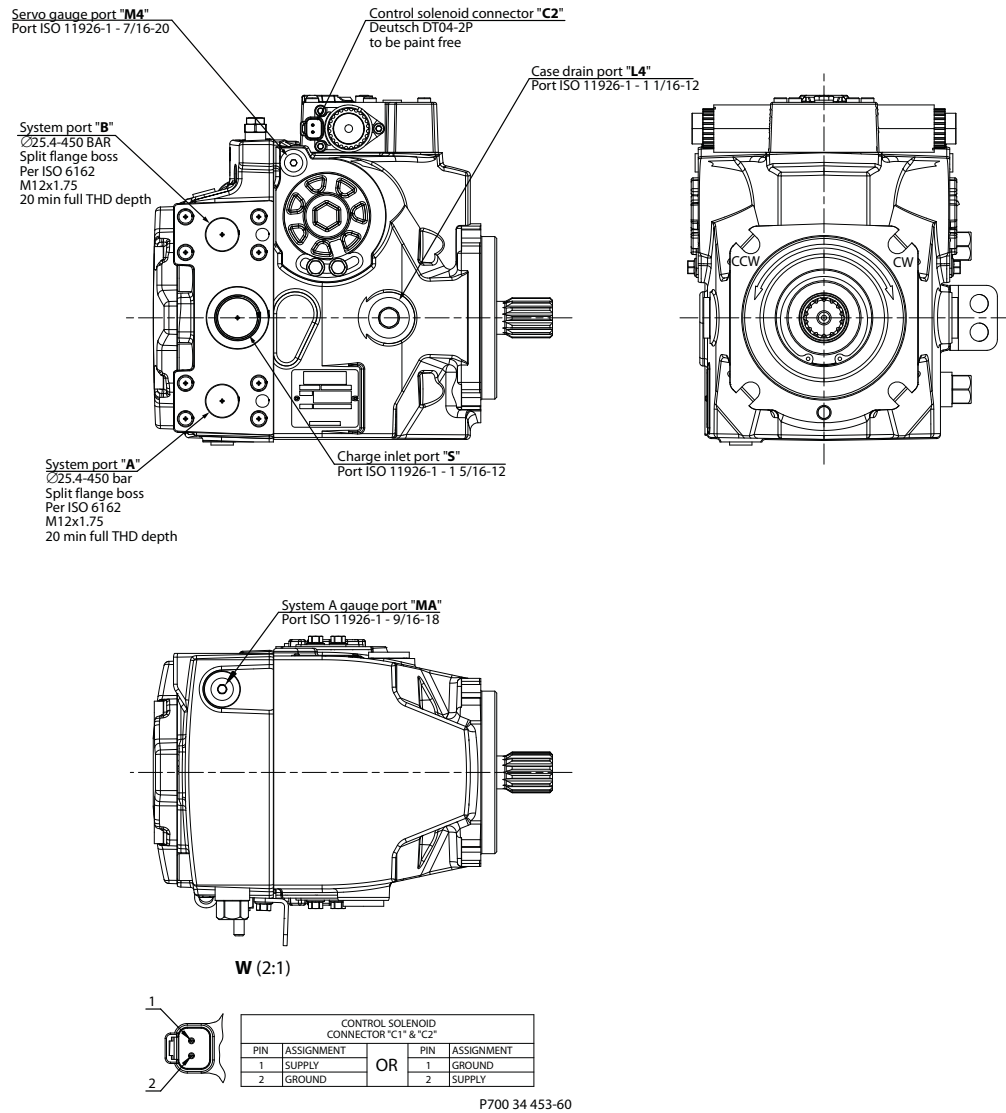
 **Caution**

Standard pad cover is installed only to retain coupling during shipping. Do not operate pump without an auxiliary pump or running cover installed.

H1P 060/068 displacement limiter, option B


Please contact Danfoss representative for specific installation drawings.

Technical Information

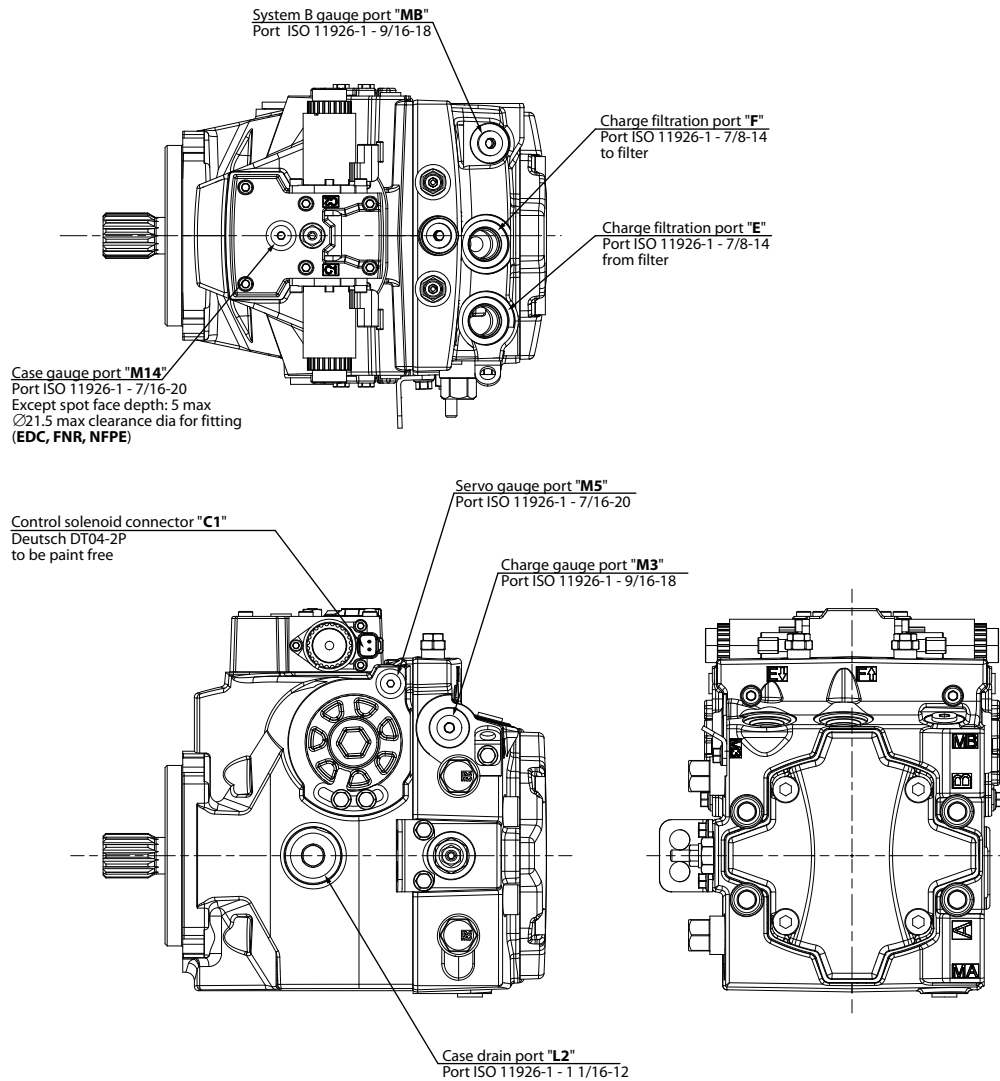
H1 Axial Piston Single Pumps, Size 060/068
Installation drawings
Port description H1P 060/068


Please contact Danfoss representative for specific installation drawings.

Technical Information

H1 Axial Piston Single Pumps, Size 060/068

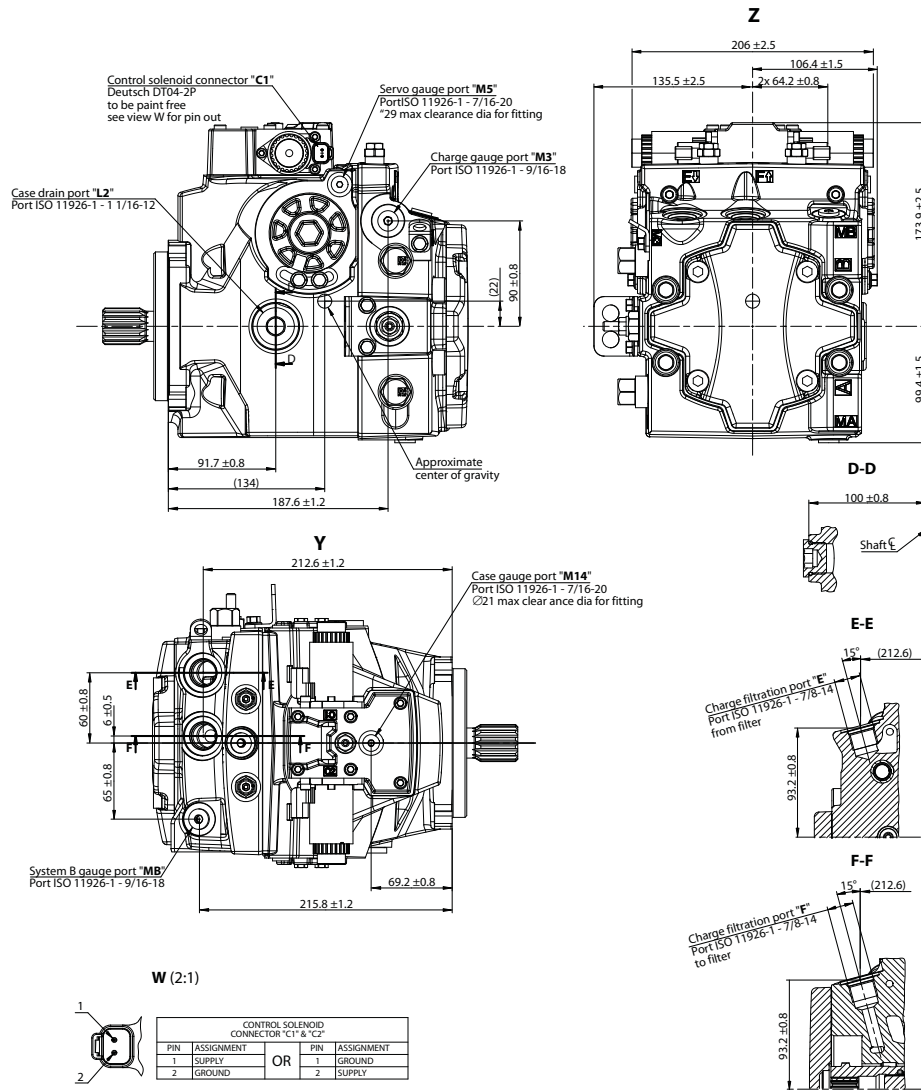
Installation drawings



Please contact Danfoss representative for specific installation drawings.

Technical Information
H1 Axial Piston Single Pumps, Size 060/068

Installation drawings



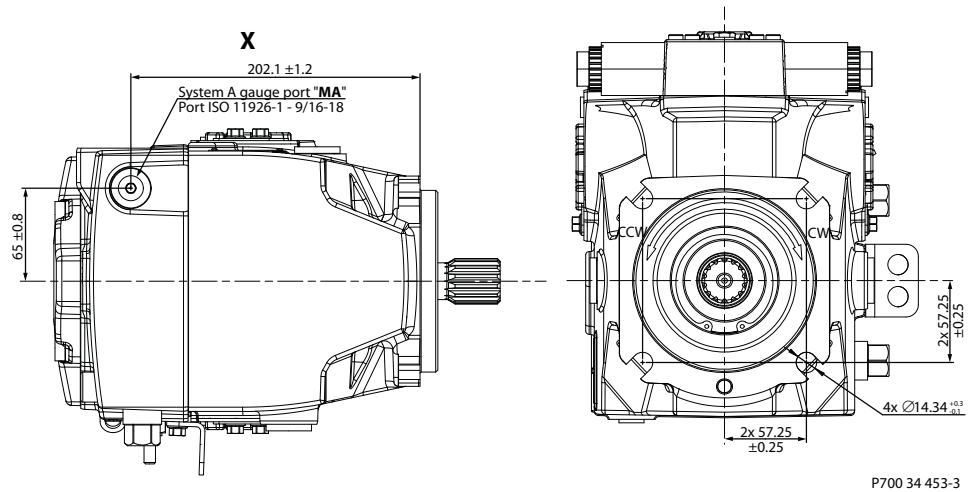
P700 34 453

Please contact Danfoss representative for specific installation drawings.

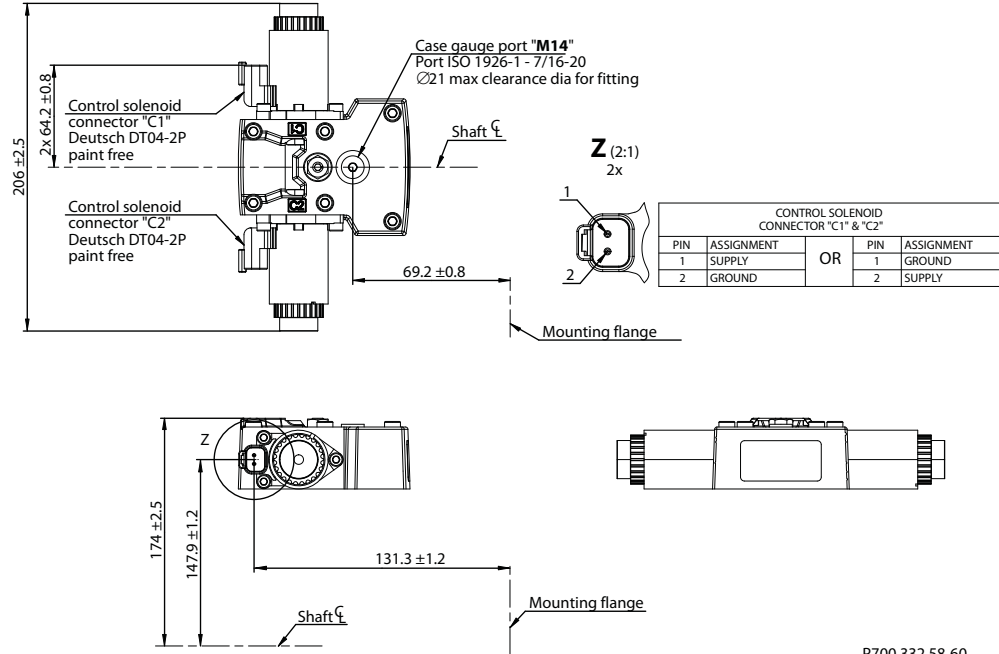
Technical Information

H1 Axial Piston Single Pumps, Size 060/068

Installation drawings

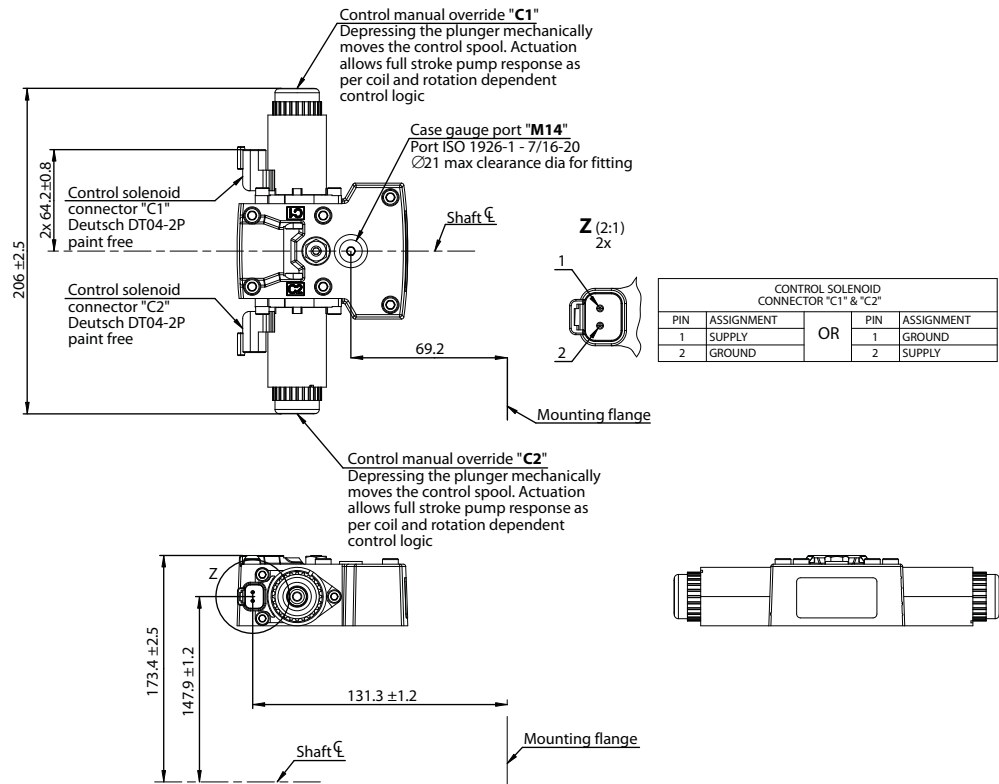


Please contact Danfoss representative for specific installation drawings.

Technical Information
H1 Axial Piston Single Pumps, Size 060/068
Controls
Electric Displacement Control (EDC), options: A2 (12 V) / A3 (24 V)


P700 332 58-60

Please contact Danfoss representative for specific installation drawings.

Electric Displacement Control (EDC) with MOR, options: A4 (12 V) / A5 (24 V)


P700 33 399-60

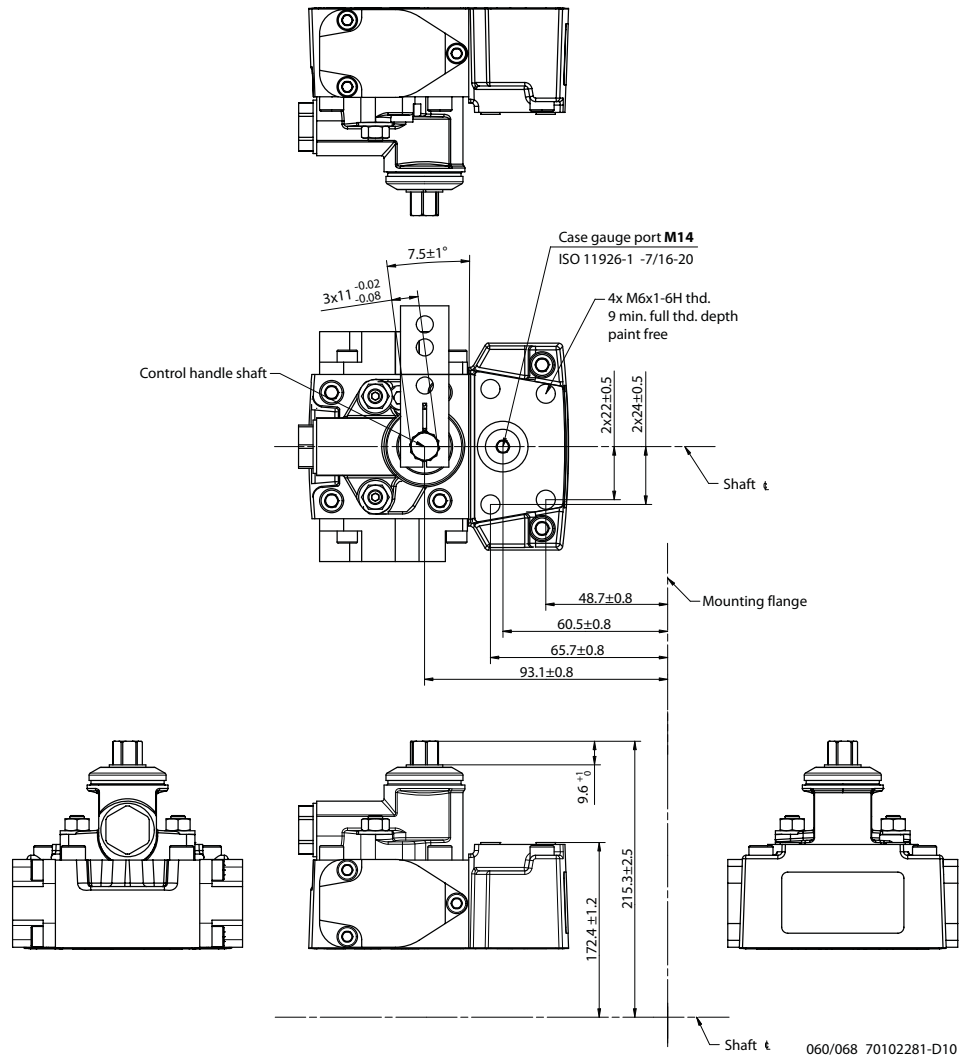
Technical Information

H1 Axial Piston Single Pumps, Size 060/068

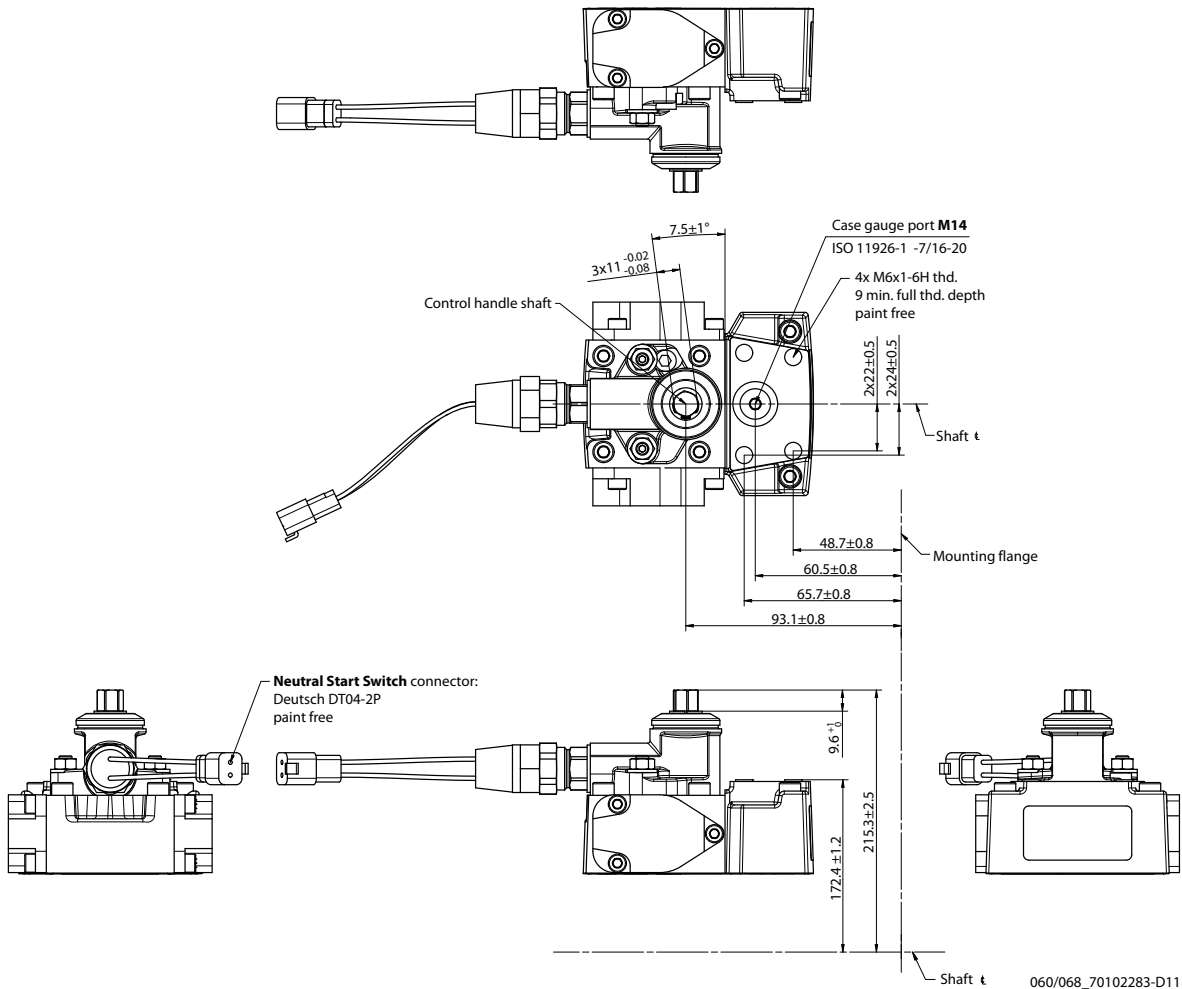
Controls

Please contact Danfoss representative for specific installation drawings.

H1P 060/068 Manual Displacement Control (MDC), option M1

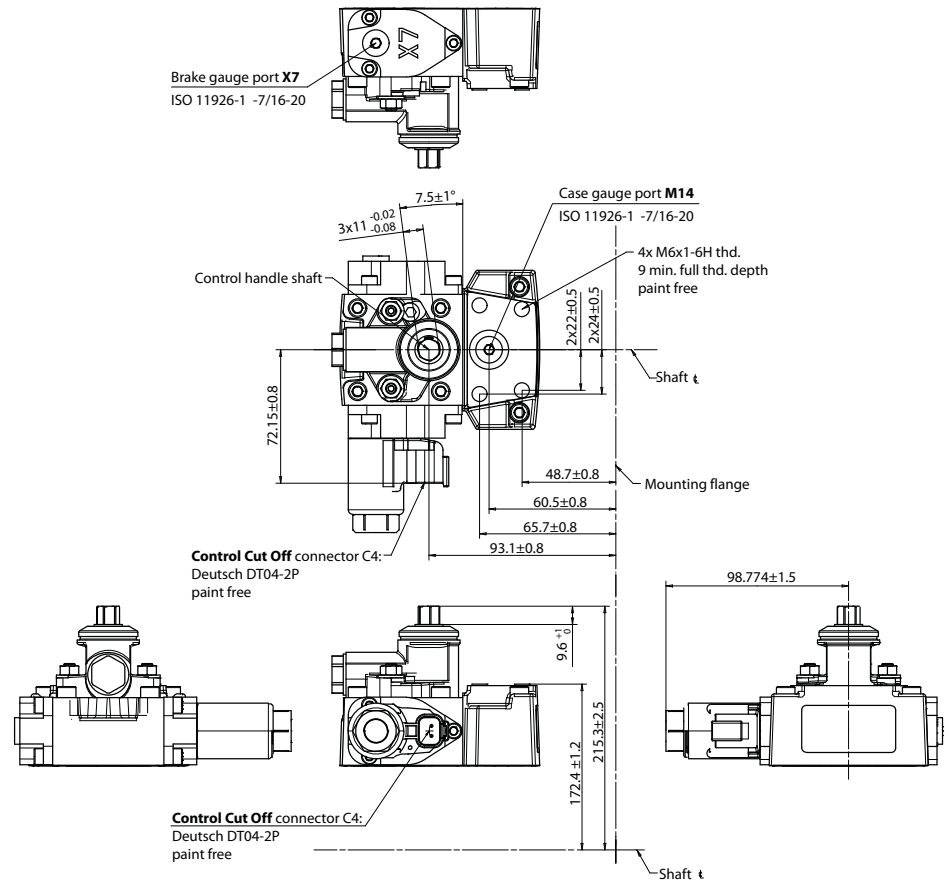


Please contact Danfoss representative for specific installation drawings.

Technical Information
H1 Axial Piston Single Pumps, Size 060/068
Controls
H1P 060/068 Manual Displacement Control (MDC) with NSS, option M2

Neutral Start Switch connector:

Pin	Assignment		Pin	Assignment
1	Supply	OR	1	Ground
2	Ground		2	Supply

Please contact Danfoss representative for specific installation drawings.

Controls
H1P 060/068 Manual Displacement Control (MDC) with CCO, option M3, M4


060/068_70102283-D12

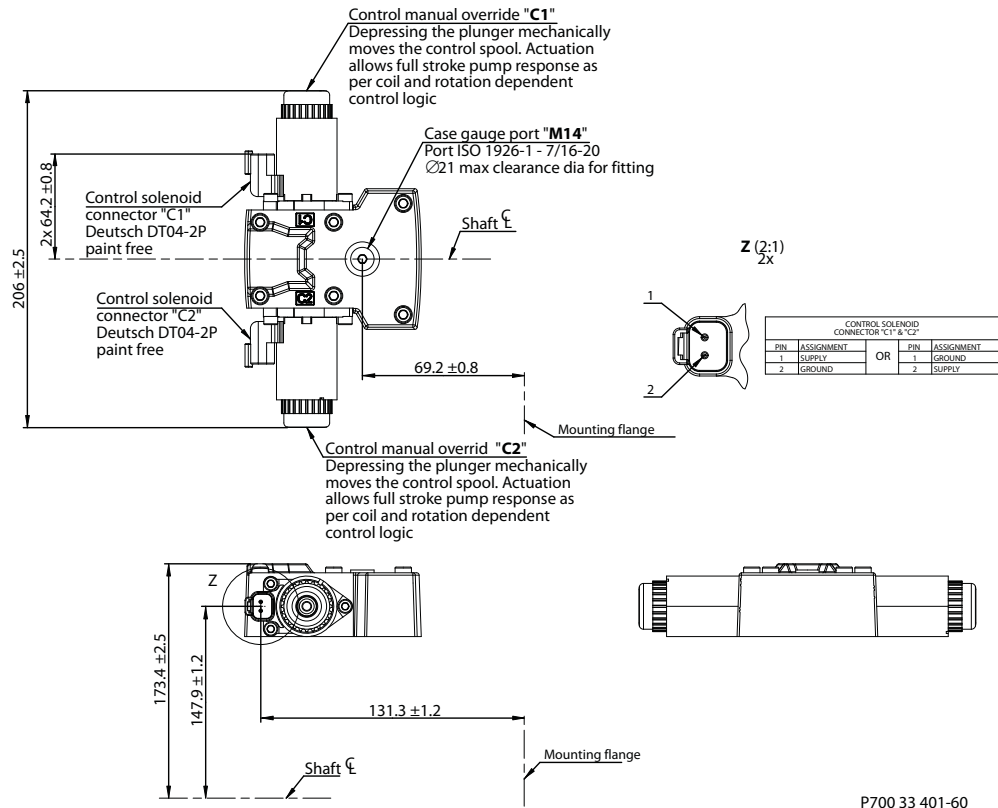
Control Cut Off connector C4:

Pin	Assignment		Pin	Assignment
1	Supply	OR	1	Ground
2	Ground		2	Supply

Please contact Danfoss representative for specific installation drawings.

Controls

Forward-Neutral-Reverse (FNR) with MOR, options: A9 (12 V) / B1 (24 V)

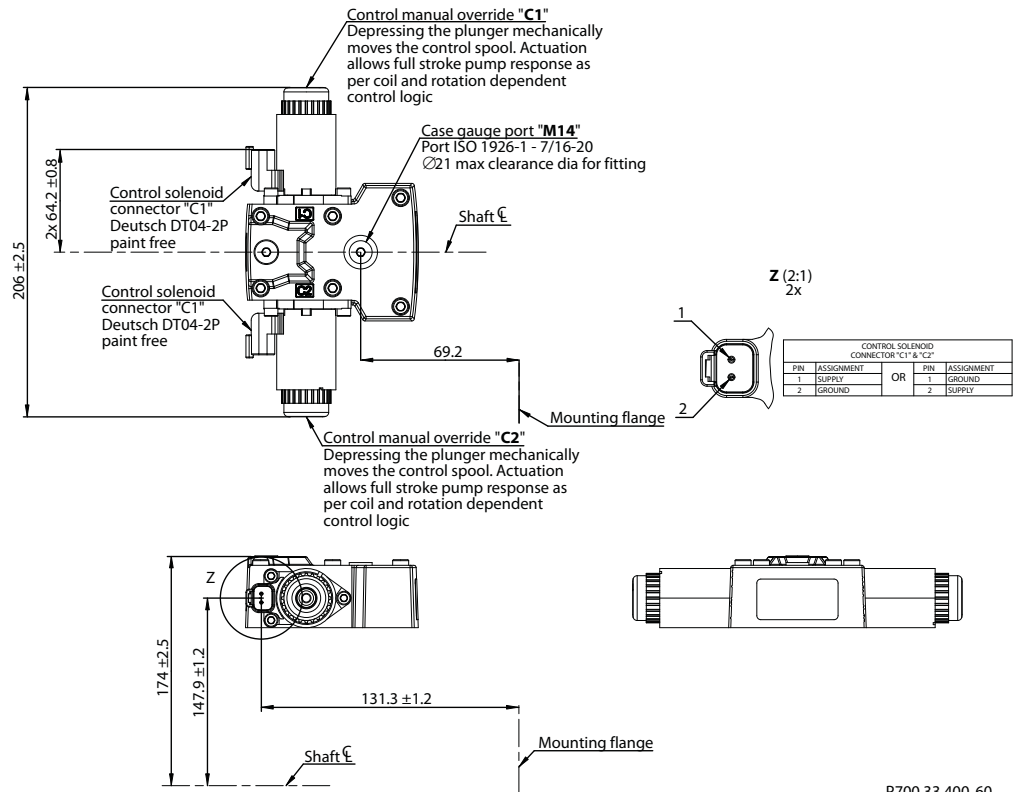


Please contact Danfoss representative for specific installation drawings.

Technical Information
H1 Axial Piston Single Pumps, Size 060/068

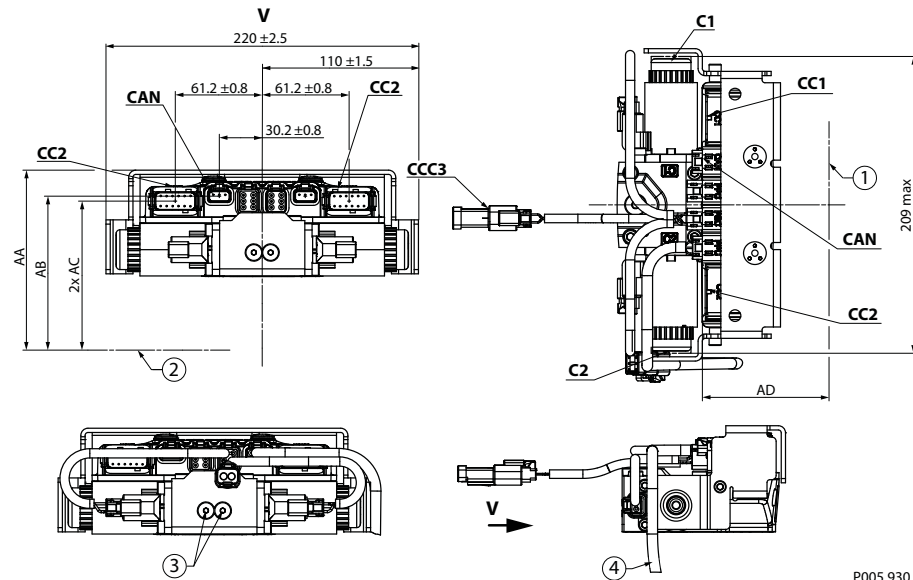
Controls

Non Feedback Proportional Electric control (NFPE), with MOR, option A8 (12 V)/B8 (24 V)



P700 33 400-60

Please contact Danfoss representative for specific installation drawings.

Technical Information
H1 Axial Piston Single Pumps, Size 060/068
Controls
Automotive Control (AC) Dimensions


P005 930

1. Mounting flange
2. Shaft
3. Plug removing can cause contamination issues
4. PPU wire harness is factory installed to speed sensor

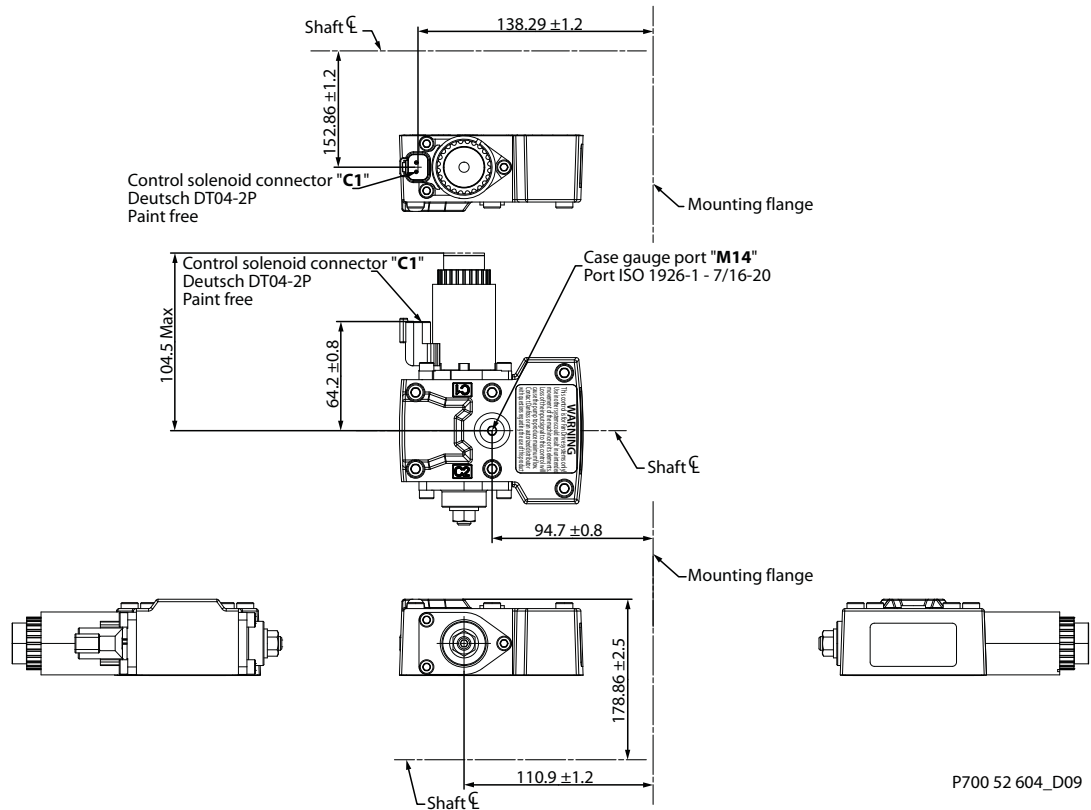
Dimensions, (mm)

Callout	Value
AA	208.9 ±2.5
AB	190.5 ±1.2
AC	2x 187.1 ±1.2
AD	89.2 ±1.2

Connectors description

Port	Description
C1 C2	Control MOR; Depressing the plunger mechanically moves the control spool. Actuation allows full stroke pump response as per coil and rotation dependent control logic.
CC1	Control connector Deutsch DTM04-12P -A; Paint free
CC2	Control connector Deutsch DTM04-12P -B; Paint free
CCC3	Control connector Deutsch DT06-2S; Paint free; For using connector the plug may be removed.
CAN	Control connector Deutsch DTM04-3P; Paint free; For using connector the plug may be removed.

Please contact Danfoss representative for specific installation drawings.

Controls
Fan Drive Control (FDC), option F1 (12V) / F2 (24V)


Control solenoid connector C1 and C2:

Pin	Assignment	Alternative	Pin	Assignment
1	Supply	OR	1	Ground
2	Ground		2	Supply

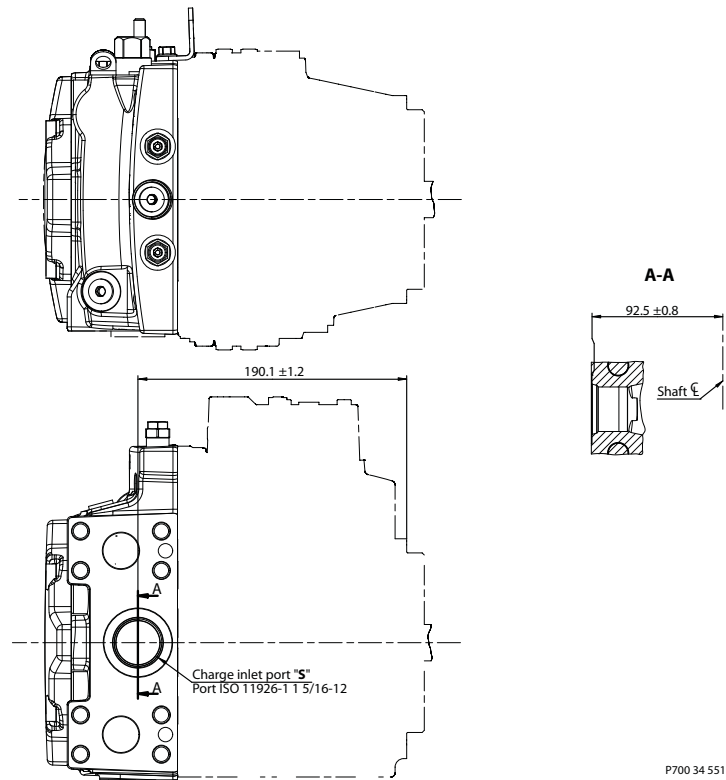
Please contact Danfoss representative for specific installation drawings.

Technical Information

H1 Axial Piston Single Pumps, Size 060/068

Filtration

H1P 060/068, suction filtration, option L



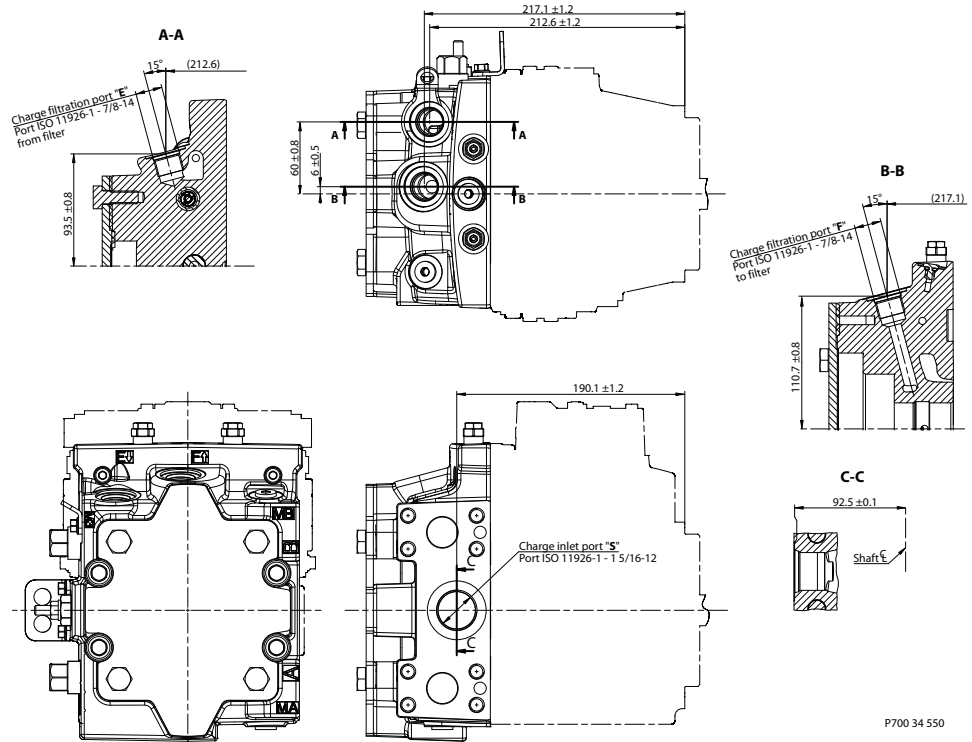
P700 34 551

Please contact Danfoss representative for specific installation drawings.

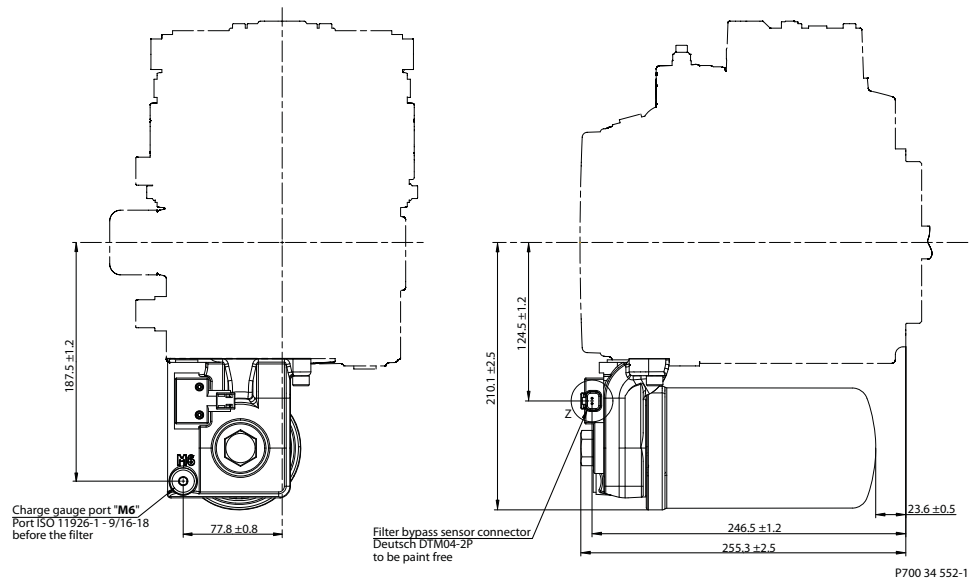
Technical Information
H1 Axial Piston Single Pumps, Size 060/068

Filtration

Remote full charge pressure filtration, option P for end cap option F (SAE-C PTO)



Please contact Danfoss representative for specific installation drawings.

Technical Information
H1 Axial Piston Single Pumps, Size 060/068
Filtration
Integral full flow charge pressure filtration with filter bypass sensor, options M / D3, F4
Integral full flow charge pressure filtration with filter bypass sensor, option M, for end cap option D3

Z (2:1)

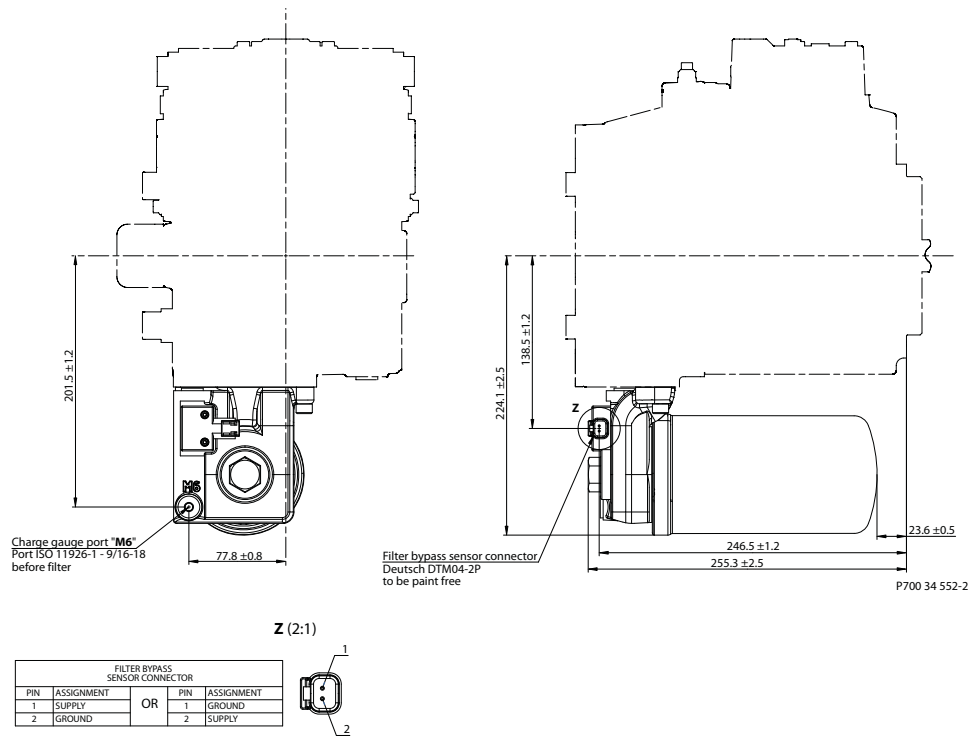
FILTER BYPASS SENSOR CONNECTOR				
PIN	ASSIGNMENT	OR	PIN	ASSIGNMENT
1	SUPPLY		1	GROUND
2	GROUND		2	SUPPLY



Please contact Danfoss representative for specific installation drawings.

Technical Information
H1 Axial Piston Single Pumps, Size 060/068
Filtration

Integral full flow charge pressure filtration with filter bypass sensor, option M, for end cap option F4 (SAE-C PTO)



Please contact Danfoss representative for specific installation drawings.

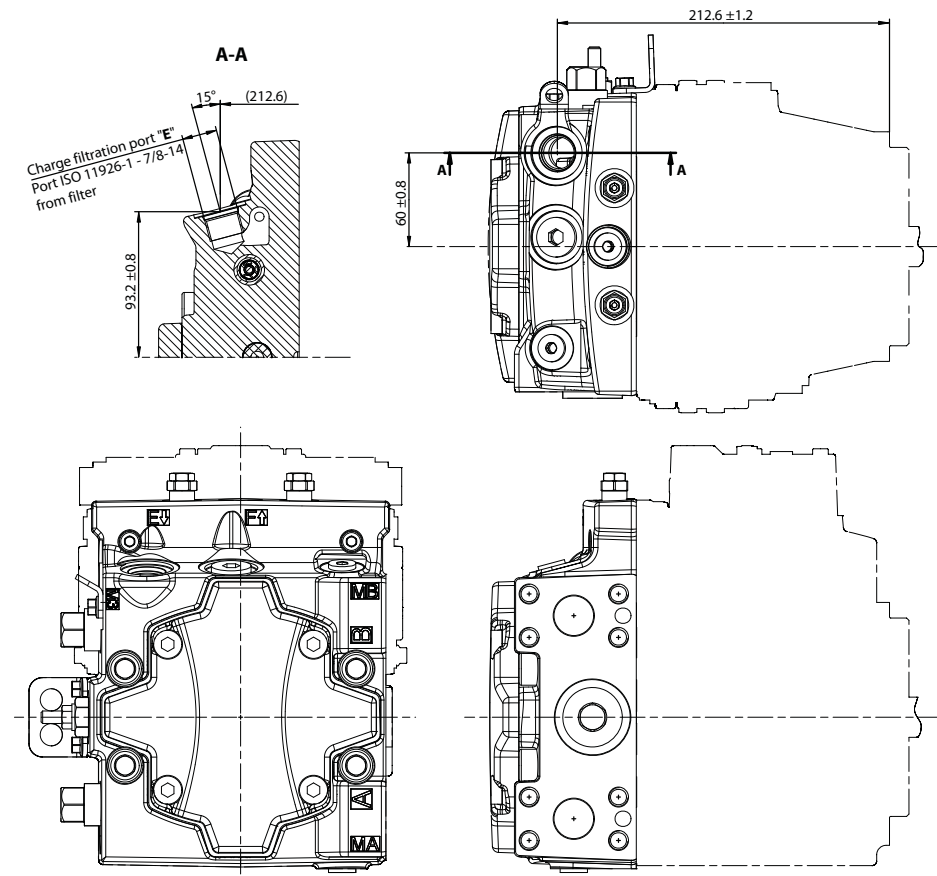
Technical Information

H1 Axial Piston Single Pumps, Size 060/068

Filtration

External full flow charge pressure filtration, option E / D8, F5

External full flow charge pressure filtration, option E for end cap option D8

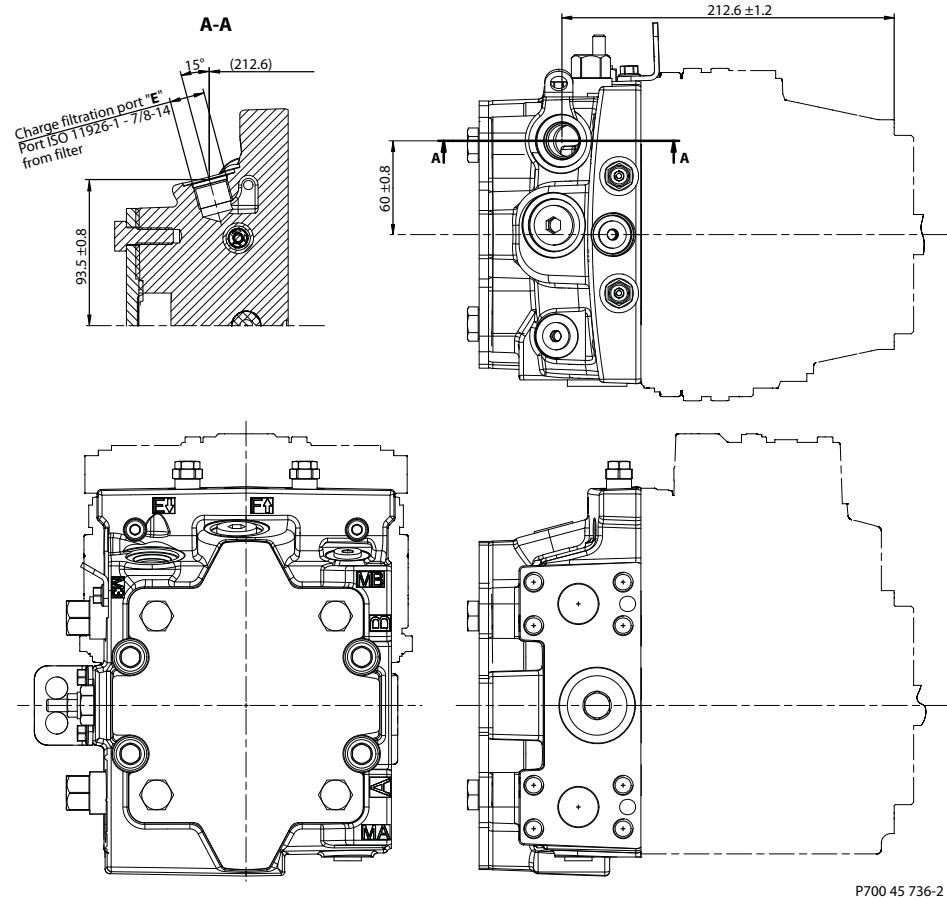


P700 45 736-1

Please contact Danfoss representative for specific installation drawings.

Filtration

External full flow charge pressure filtration, option E for end cap option F5 (SAE-C PTO)



P700 45 736-2

Please contact Danfoss representative for specific installation drawings.



Hydraulik · Automation

Danfoss

Technical Information

H1 Axial Piston Single Pumps, Size 060/068



Hydraulik · Automation



Technical Information

H1 Axial Piston Single Pumps, Size 060/068

Products we offer:

- Bent Axis Motors
- Closed Circuit Axial Piston Pumps and Motors
- Displays
- Electrohydraulic Power Steering
- Electrohydraulics
- Hydraulic Power Steering
- Integrated Systems
- Joysticks and Control Handles
- Microcontrollers and Software
- Open Circuit Axial Piston Pumps
- Orbital Motors
- PLUS+1® GUIDE
- Proportional Valves
- Sensors
- Steering
- Transit Mixer Drives

Danfoss Power Solutions is a global manufacturer and supplier of high-quality hydraulic and electronic components. We specialize in providing state-of-the-art technology and solutions that excel in the harsh operating conditions of the mobile off-highway market. Building on our extensive applications expertise, we work closely with our customers to ensure exceptional performance for a broad range of off-highway vehicles.

We help OEMs around the world speed up system development, reduce costs and bring vehicles to market faster.

Danfoss – Your Strongest Partner in Mobile Hydraulics.

Go to www.powersolutions.danfoss.com for further product information.

Wherever off-highway vehicles are at work, so is Danfoss. We offer expert worldwide support for our customers, ensuring the best possible solutions for outstanding performance. And with an extensive network of Global Service Partners, we also provide comprehensive global service for all of our components.

Please contact the Danfoss Power Solution representative nearest you.

Comatrol

www.comatrol.com

Turolla

www.turollaocg.com

Hydro-Gear

www.hydro-gear.com

Daikin-Sauer-Danfoss

www.daikin-sauer-danfoss.com

Local address:

**Danfoss
Power Solutions (US) Company**
2800 East 13th Street
Ames, IA 50010, USA
Phone: +1 515 239 6000

**Danfoss
Power Solutions GmbH & Co. OHG**
Krokamp 35
D-24539 Neumünster, Germany
Phone: +49 4321 871 0

**Danfoss
Power Solutions ApS**
Nordborgvej 81
DK-6430 Nordborg, Denmark
Phone: +45 7488 2222

**Danfoss
Power Solutions Trading
(Shanghai) Co., Ltd.**
Building #22, No. 1000 Jin Hai Rd
Jin Qiao, Pudong New District
Shanghai, China 201206
Phone: +86 21 3418 5200

Danfoss can accept no responsibility for possible errors in catalogues, brochures and other printed material. Danfoss reserves the right to alter its products without notice. This also applies to products already on order provided that such alterations can be made without changes being necessary in specifications already agreed. All trademarks in this material are property of the respective companies. Danfoss and the Danfoss logotype are trademarks of Danfoss A/S. All rights reserved.