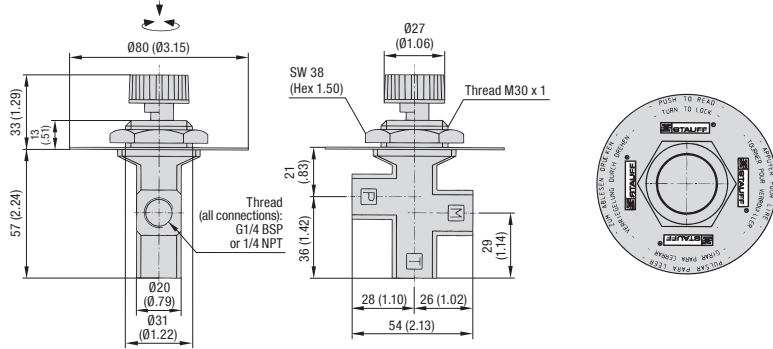


## Gauge Isolator Valves



### Gauge Isolator Valve ▪ Type SWS-S1 (Single Station)



#### Characteristics

**Effective protection of pressure gauges against overload caused by pressure peaks**

#### Features

- Suitable for panel installation
- Max. panel thickness of 5 mm / .20 in
- Fixed with hexagonal nut
- Push button to reagent and turn to lock
- Multilingual instructions printed on face plate

#### Media Compatibility

- Suitable for hydraulic fluids

Please contact STAUFF before using with other media.

#### Materials

- Body made of Cast Iron
- Spindle made of Steel
- Push / turn button made of Polyamide (PA)
- Face plate made of Aluminium
- O-rings made of NBR (Buna-N®)

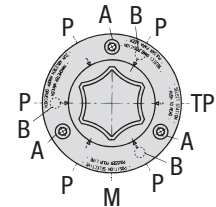
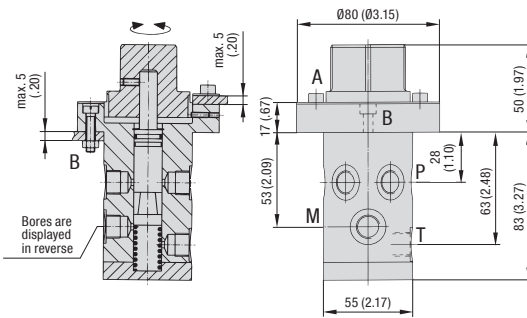
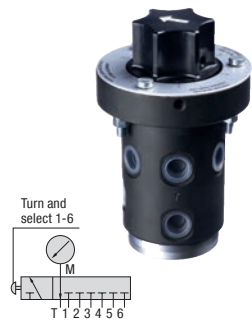
#### Technical Data

- Maximum working pressure: 400 bar / 5800 PSI
- Operating temperature range: -30 °C ... +115 °C / -22 °F ... +239 °F

#### Order Codes

<b>SWS</b>	-	<b>S1</b>	-	<b>G04</b>
①		②		③
<b>① Type</b>	Gauge Isolator Valve			<b>SWS</b>
<b>② Style</b>	Single station			<b>S1</b>
<b>③ Connection Thread</b>	Female G1/4 BSP (for all connections)			<b>G04</b>
	Female 1/4 NPT (for all connections)			<b>N04</b>

### Gauge Isolator Valve ▪ Type SWS-M (Multi Station)



- Mounting Bores** (ø6 mm / .24 in)
- A** 3 bores, equally spaced (120°), BCD ø65 mm / 2.56 in
  - B** 3 bores, equally spaced (120°), BCD ø65 mm / 2.56 in

- Connections** (G1/4 BSP or 7/16-20 UNF)
- P** 6 bores, equally spaced (60°)
  - M** 1 bore
  - T** 1 bore

#### Characteristics

**Pressure measurement on six positions in the hydraulic circuit with only one pressure gauge**

#### Features

- Suitable for bulkhead installation
- Max. panel thickness of 5 mm / .20 in
- Fixed with connection flange and screws: 3 hexagon head bolts M5 x 10 (DIN 933) for mounting the printed panel and 3 socket cap screws M5 x 25 (DIN 912) with washers (DIN 127) and nut (DIN 934) for panel installation included in delivery
- Turn button to select position of measurement
- Multilingual instructions printed on panel

#### Media Compatibility

- Suitable for hydraulic fluids

Please contact STAUFF before using with other media.

#### Materials

- Body made of Cast Iron
- Spindle made of Steel
- Push / turn button made of Polyamide (PA)
- Face plate and end cover made of Aluminium
- O-rings made of NBR (Buna-N®)

#### Technical Data

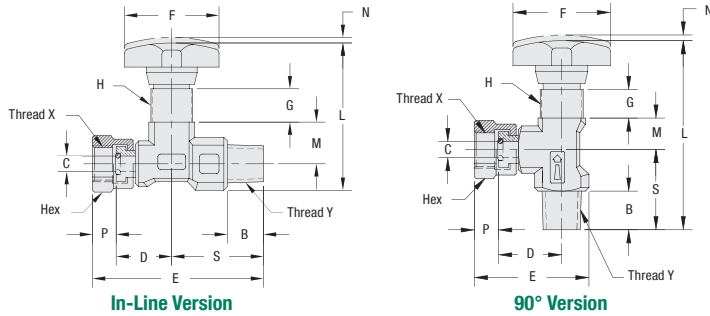
- Maximum working pressure: 400 bar / 5800 PSI
- Operating temperature range: -30 °C ... +115 °C / -22 °F ... +239 °F

#### Order Codes

<b>SWS</b>	-	<b>M</b>	-	<b>G04</b>
①		②		③
<b>① Type</b>	Gauge Isolator Valve			<b>SWS</b>
<b>② Style</b>	Multi station			<b>M</b>
<b>③ Connection Thread</b>	Female G1/4 BSP for all connections			<b>G04</b>
	Female 7/16-20 UNF (1/4" SAE) for all connections			<b>U04</b>



### Gauge Isolator Needle Valve ▪ Types SWS-A1/A2 (Single Station)



#### Dimensions

Type	Thread X (Female)	Thread Y (Male)	Dimensions (mm/in)													Weight (kg/lbs)
			B	C	D	E	F	G	H	L	M	N	P	S	Hex	
SWS-A1	G1/4 BSP 1/4 NPT	1/4 BSPT	13	5,6	20	61,5	34	12	M15 x1	53	15	2	8,5	33	18	0,13
		1/4 NPT 7/16-20 UNF (1/4" SAE)	.51	.22	.78	2.42	1.34	.47		2.09	.59	.08	.33	1.30	.71	.22
SWS-A2	G1/4 BSP 1/4 NPT	1/4 BSPT	13,5	5,6	22	40	34	10	M15 x1	66	11	2	8,5	28	18	0,11
		1/4 NPT	.53	.22	.87	1.57	1.34	.39		2.60	.43	.08	.33	1.10	.71	.44

#### Characteristics

**Effective protection of pressure gauges against overload caused by pressure peaks**

#### Features

- Designed for in-line assembly (type A1) or 90° assembly (type A2) with female BSP / male BSPT, female NPT / male NPT or female NPT / male SAE threaded connections
- Panel mounting nuts available on request
- Rotating swivel nut allows for accurate orientation of the pressure gauge

#### Materials

- Body made of Steel, zinc-plated
- Spindle made of Steel
- Hand-wheel made of Polyamide (PA)
- O-rings made of NBR (Buna-N®)
- Anti-extrusion ring made of PTFE

Contact STAUFF for alternative materials.

#### Technical Data

- Maximum working pressure: 400 bar / 5800 PSI (for all sizes)
- Operating temperature range: -20 °C ... +100 °C / -4 °F ... +212 °F

#### Order Codes



#### ① Type

Gauge Isolator Valve **SWS**

#### ③ Style

Single station, in-line version **A1**  
Single station, 90° version **A2**

#### ② Connection Threads

Female G1/4 BSP and Male 1/4 BSPT **G04/B04**  
Female 1/4 NPT and Male 1/4 NPT **N04F/N04M**  
Female 1/4 NPT and Male 7/16-20 UNF  
(1/4" SAE) (only available for in-line version) **N04F/U04M**

#### ④ Panel Mounting Kit

Without panel mounting kit (standard option) **—**  
With panel mounting kit **PM**

