



**Niehues**

Hydraulik · Automation

ENGINEERING  
TOMORROW

*Danfoss*

Technical Information

# Joysticks

## JS1 Heavy Duty



[powersolutions.danfoss.com](http://powersolutions.danfoss.com)

**PLUS**

Archivierung: 05/2018

**Revision history**
*Table of revisions*

<b>Date</b>	<b>Changed</b>	<b>Rev</b>
March 2018	Removed J options from PR7, PP7 grip faceplate options; Added Grip only sales and service options topic; removed the wire color column from all connectors pin tables; corrected H4 through H12 tables under Grip model code; added to types of grips offered for applications that require high ingress protection; and listed grips with Operator Presence Switch in Product configuration model code table H7 and H8	0801
January 2018	Added Analog Cat 1, 3 information	0701
November 2017	Added CANalog and CAN+ information	0601
January 2017	Pushbutton color codes updated	0503
January 2017	Removed information that does not apply, corrected PR2 grip options information	0502
December 2016	Added PVE information	0501
October 2016	Updated PR2 faceplate designation; and Environmental IP rating	0403
September 2016	Updated Operating temperature for CAN to 85° C in Environmental table	0402
September 2016	Updates regarding IP switches; Common model code for J3-cable	0401
September 2016	Various updates; updated to Engineering Tomorrow design	0302
February 2016	Removed Connection diagrams chapter	0201
February 2016	First edition	0101

Technical Information  
**JS1 Heavy Duty Joysticks**


---

**Contents**
**Overview**

JS1-H description.....	5
Features.....	5
Options.....	6

**HR1, HP1 grip**

Description.....	7
Dimensions.....	8
Ten total grip functions.....	8
Function overview.....	9
Faceplate options.....	9
Cover options.....	10
Base options.....	11

**ST2, SP2 grip**

Dimensions.....	13
Five total grip functions.....	13
Faceplate options.....	14
Cover options.....	14

**PR2, PP2 grip**

Dimensions.....	16
Twelve total grip functions.....	16
Faceplate options.....	17
Cover options.....	18

**ST7, SP7 grip**

Dimensions.....	20
Faceplate options.....	21
Cover options.....	22

**PR7, PP7 grip**

Dimensions.....	24
Faceplate options.....	25
Cover options.....	26

**Compatible grips**

Grip only sales and service options.....	27
Dimensions.....	28

**Base**

Dimensions.....	29
-----------------	----

**Electronic modules**

CAN.....	30
CAN+.....	30
CANalog.....	30
Additional X and Y analog outputs.....	30
Proportional roller output.....	30
PVE.....	30
PVE—Standard.....	30
PVE—Extended.....	32
Non-Redundant Analog interface (CAT1).....	32
Full-Redundant Analog interface (CAT3).....	32

**Connection diagrams**

CAN+.....	33
CANalog.....	34
PVE DSUB.....	35
Analog Cat 1.....	36
Analog Cat 3.....	37
PVE DEUTSCH.....	38

**Specifications**


---

**Contents**

Mechanical.....	39
Electrical—CAN, CAN+, and CANalog.....	39
Electrical—PVE (Standard and Extended).....	39
Electrical—PVE (Extended only).....	40
Electrical—Analog Cat 1, Cat 3.....	40
Environmental.....	40
<b>Joystick functions</b>	
Grip options.....	42
Push button.....	42
Roller.....	43
FNR.....	44
Toggle switch.....	44
Operator Presence switch.....	45
<b>Connector options and cabling</b>	
One 6 pin connector.....	46
Two 6 pin connectors.....	47
Two 12 pin connectors.....	48
Two 12 pin and one 6 pin connectors.....	49
One 18 pin connector.....	50
One 25 pin SUB-D and one 6 pin connectors.....	51
Mating connectors bag assemblies.....	52
Cable assemblies.....	53
<b>Product configuration model code</b>	
JS1-H base and grip model code fields.....	55
JS1-H Base model code.....	56
Grip model code.....	58
Common model code.....	65
<b>Product installation</b>	
Joystick safety critical functions.....	66
Machine wiring guidelines.....	66
<b>Appendix: CAN J1939 protocol</b>	
Joysticks CAN J1939 protocol option.....	68
SAE J1939 basic joystick message.....	69
Data field.....	69
JS1-H Basic joystick message data field descriptions.....	70
Joystick X-axis neutral position status.....	71
Joystick X-axis handle left negative position status.....	71
Joystick X-axis handle right positive position status.....	71
Joystick X-axis position status.....	71
Joystick Y-axis neutral position status.....	72
Joystick Y-axis handle back negative position status.....	72
Joystick Y-axis handle forward positive position status.....	72
Joystick Y-axis position status.....	72
Joystick button 1-8 pressed status.....	73
SAE J1939 extended joystick message.....	74
Extended joystick message parameters and data field descriptions.....	74
SAE J1939 error (DM1) messages.....	76
<b>Appendix: CAN+ and CANopen protocol</b>	
CANopen Object Dictionary for JS1-H joysticks.....	78
Parameter/variable index - JS1-H CAN, JS1-H CANalog.....	79
Parameter/variable index - JS1-H CAN+.....	91
Error handling.....	103

Technical Information  
**JS1 Heavy Duty Joysticks**

---

**Overview**

**JS1-H description**

*A wide variety of new grip designs*



The Danfoss JS1 platform offers a wide variety of new grip designs and were developed after extensive research detailing operator needs. The JS1 heavy duty joysticks (JS1-H) and compatible grips meet the demanding conditions typically found in mobile equipment environments. The available grips features provide a high degree of protection from chemicals, shock, vibration and EMC exposure. Danfoss joysticks are appropriate for both in-cabin and out of cabin applications and feature ergonomic forms that minimize machine operator fatigue. The JS1-H ergonomic left-hand, right-hand and ambidextrous grip design options enable efficient operation and comfortable human-machine interface with easy to use fingertip controls for maximum productivity. The grips feature a modular design that allows switch and proportional rollers locations flexibility.

**Features**

- Hall effect with two sensors per axis or long life potentiometer position sensing
- Simultaneous operation of two proportional rollers
- Operator Presence switch

Technical Information  
**JS1 Heavy Duty Joysticks**

---

**Overview**

**Options**

Axis

- Dual axis
- Single axis
- Single axis with friction

Output options

- CAN J1939
- CANopen
- PVE
- CANalog
- CAN+
- Analog Category 1
- Analog Category 3

Ergonomic grip

- Right hand
- Left hand
- Ambidextrous (used with either the left or right hand)

On axis shaft, deflection

- $\pm 18^\circ$

JS1-H grips

- HR1
- ST2
- ST7
- PR2
- PR7

Technical Information  
**JS1 Heavy Duty Joysticks**

---

**HR1, HP1 grip**

Horizontal, multifunction, ergonomic HR1, HP1 grip



**Description**

The horizontal, multifunction, ergonomic HR1, HP1 grip is designed with easy to use fingertip controls for a comfortable user interface and maximum functional control.

The grip features a modular design that allows flexibility in the location of switches and proportional functions.

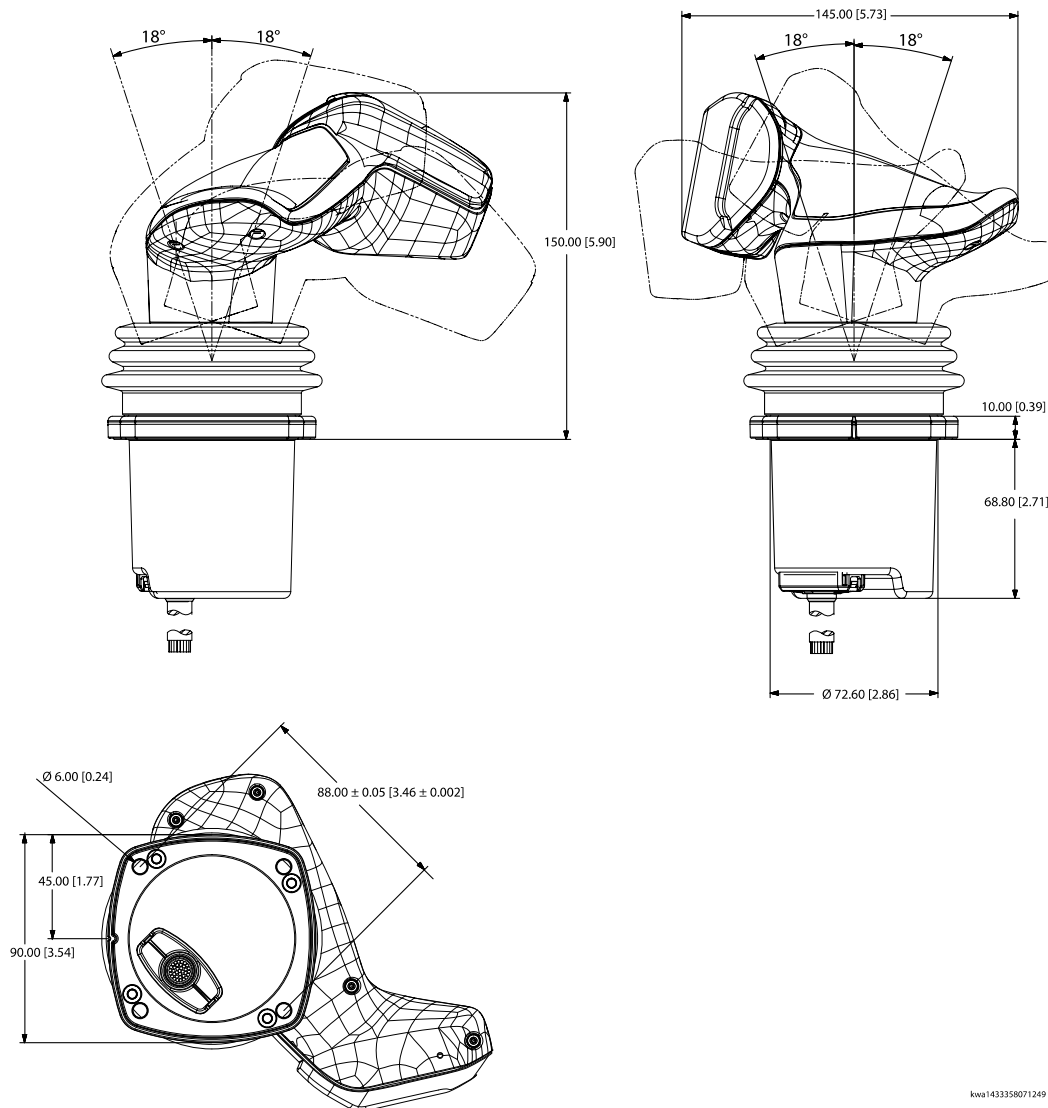
For applications that require high ingress protection (IP66) select the HP1 grip. For more information, see ordering code F2, under *Grip model code* on page 58.

Technical Information  
**JS1 Heavy Duty Joysticks**

**HR1, HP1 grip**

**Dimensions**

HR1 (horizontal) grip with base dimensions in millimeters [inches]



**Ten total grip functions**

- Front plate: Up to five functions
- Grip top side: Up to two functions
- Grip rear side: Up to three functions

Push button = 1 function, roller/rocker/FNR/Operator Presence Switch = 2 functions

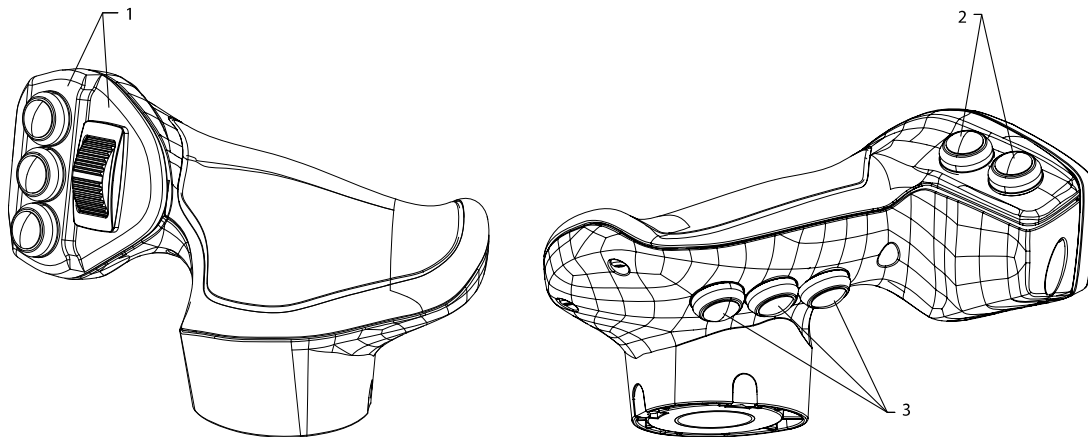


Technical Information  
**JS1 Heavy Duty Joysticks**

**HR1, HP1 grip**

**Function overview**

*HR1 grip function overview*

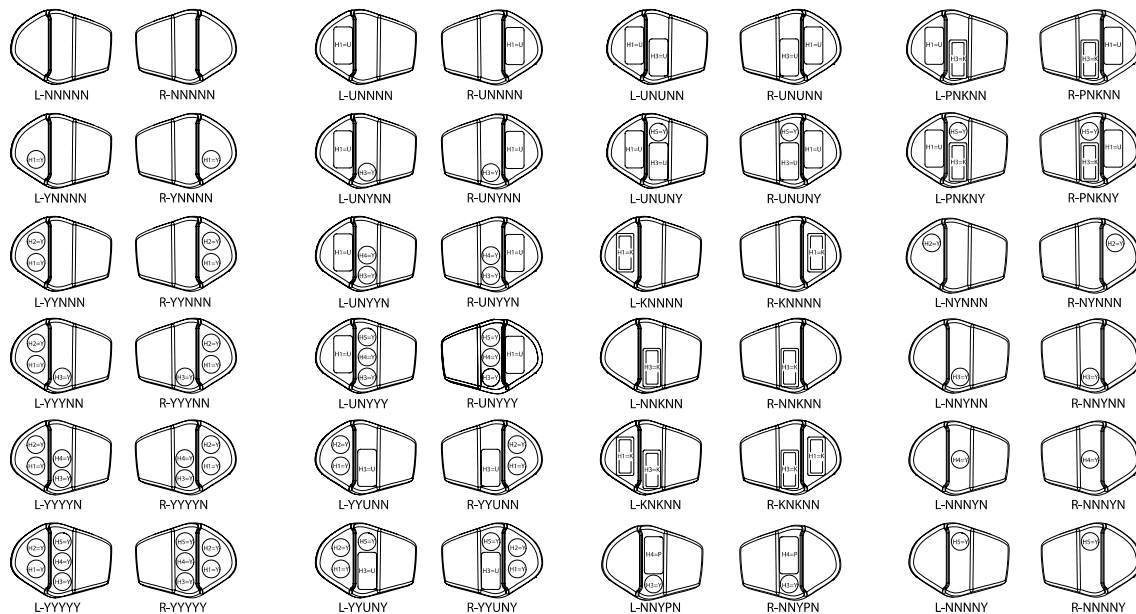


kwa1452624614146

1. Faceplate finger function location
2. Cover finger function location
3. Base finger function location

**Faceplate options**

*HR1 grip faceplate options*



kwa1452624730259

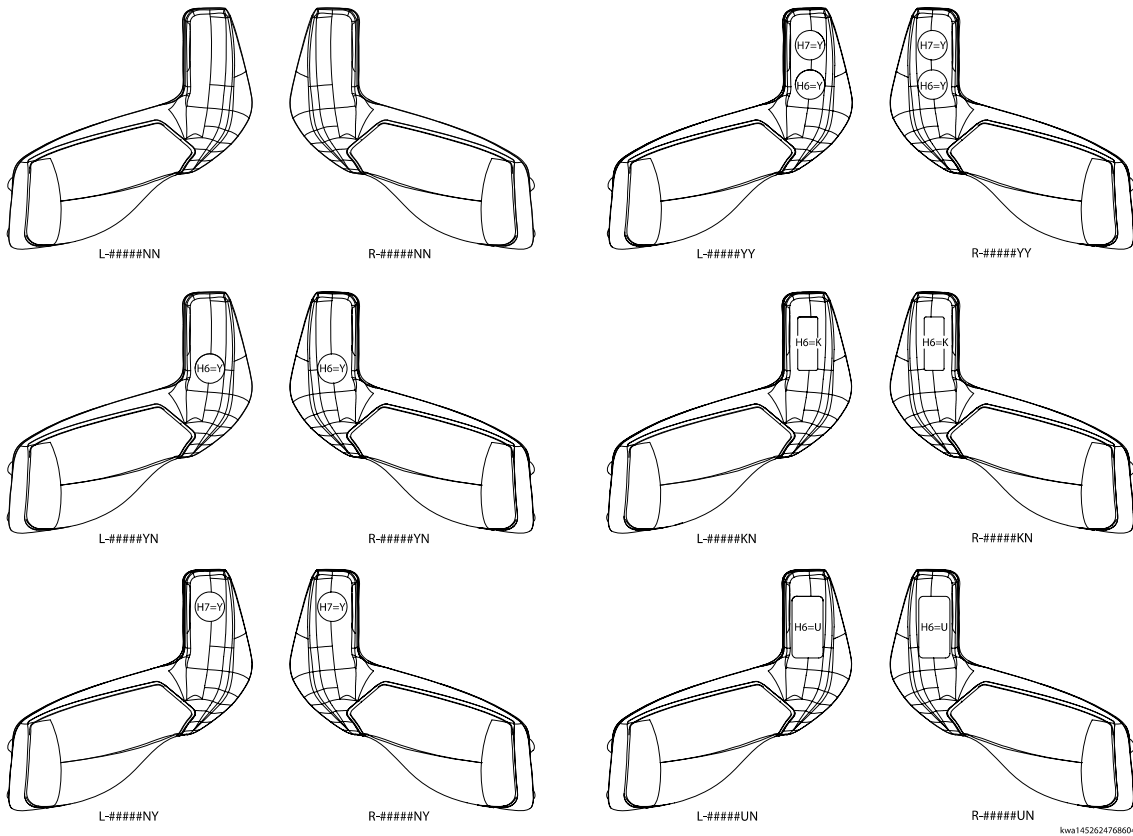
Technical Information  
**JS1 Heavy Duty Joysticks**

**HR1, HP1 grip**

**Related reference**

**Cover options**

*HR1 grip cover options*

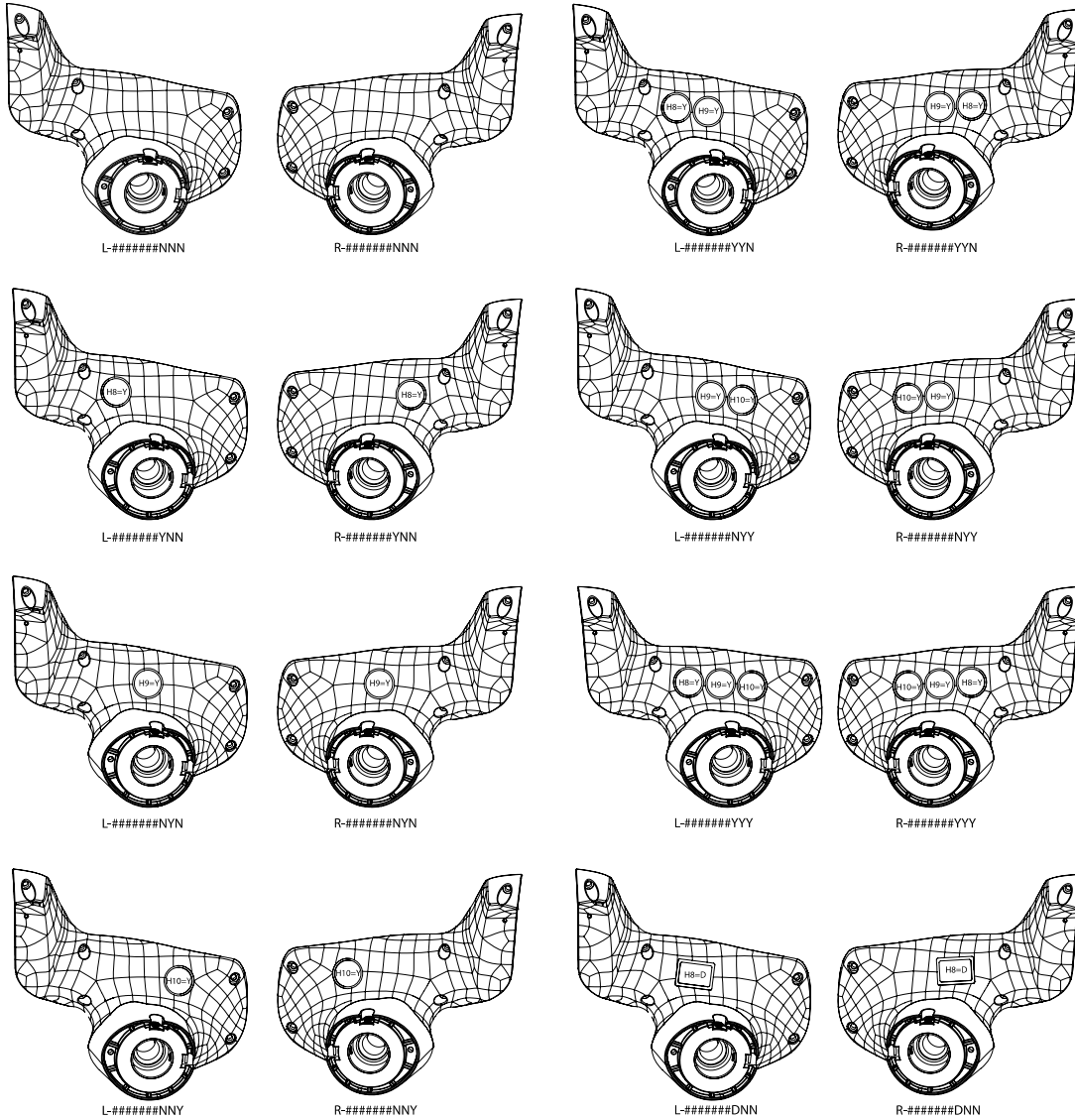


Technical Information  
**JS1 Heavy Duty Joysticks**

**HR1, HP1 grip**

**Base options**

*HR1 grip base options*



kwa1452624813199

Technical Information  
**JS1 Heavy Duty Joysticks**

---

**ST2, SP2 grip**



The ergonomic ST2, SP2 grip is designed to provide a solution to grip applications requiring an operator presence function. The profile of the ST2, SP2 grip, ensures that the operator's fingers are always close to the buttons to minimize operator fatigue and maximize functional control.

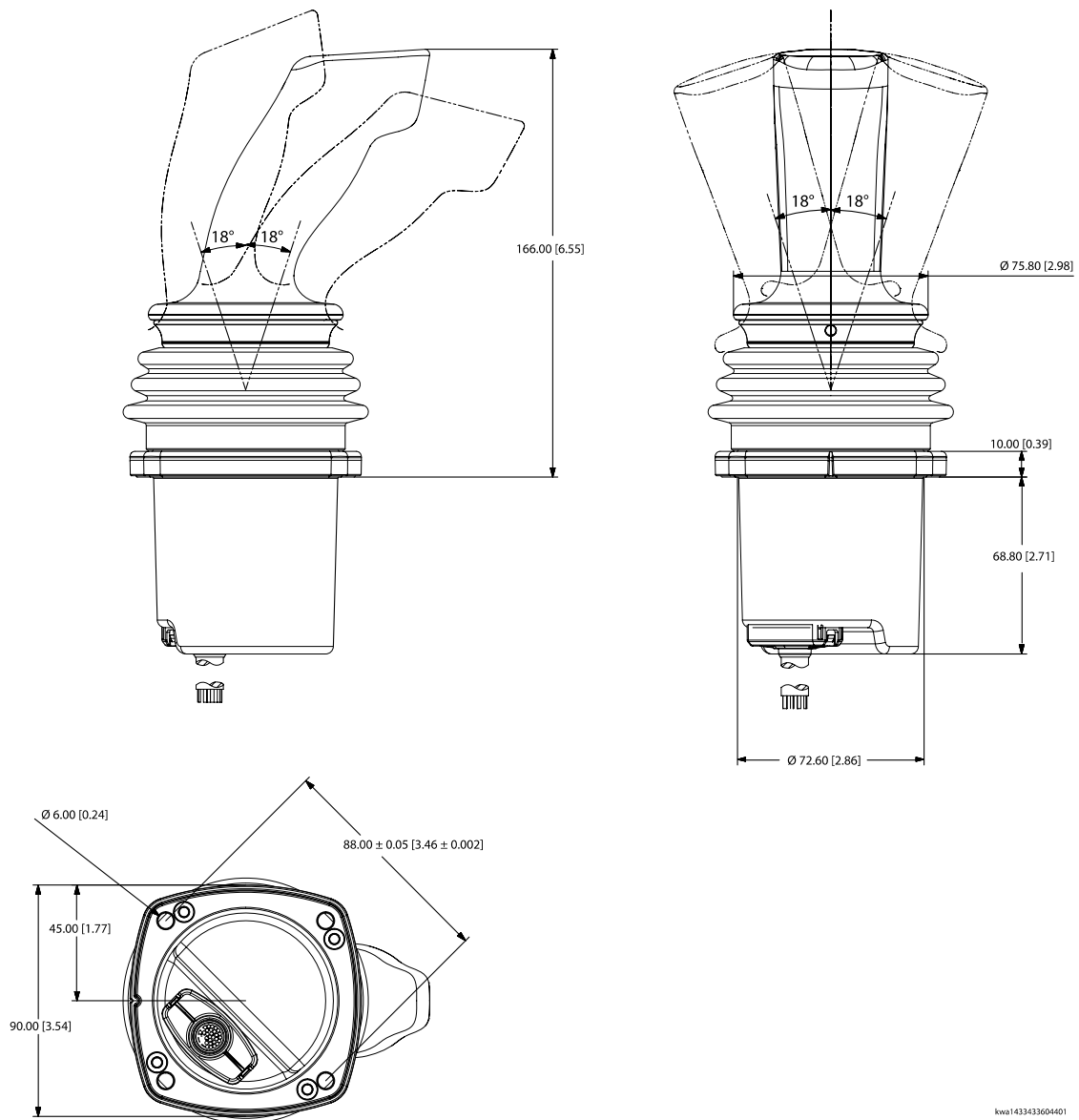
For applications that require high ingress protection (IP66) select the SP2 grip. For more information see F2 ordering code under *Grip model code* on page 58.

Technical Information  
**JS1 Heavy Duty Joysticks**

**ST2, SP2 grip**

**Dimensions**

ST2 grip with base dimensions in millimeters [inches]



**Five total grip functions**

- Front plate: Up to three functions
- Pointer finger side: one function (if nothing is placed in position 2)
- Grip rear side: Up to two functions or an Operator Presence switch

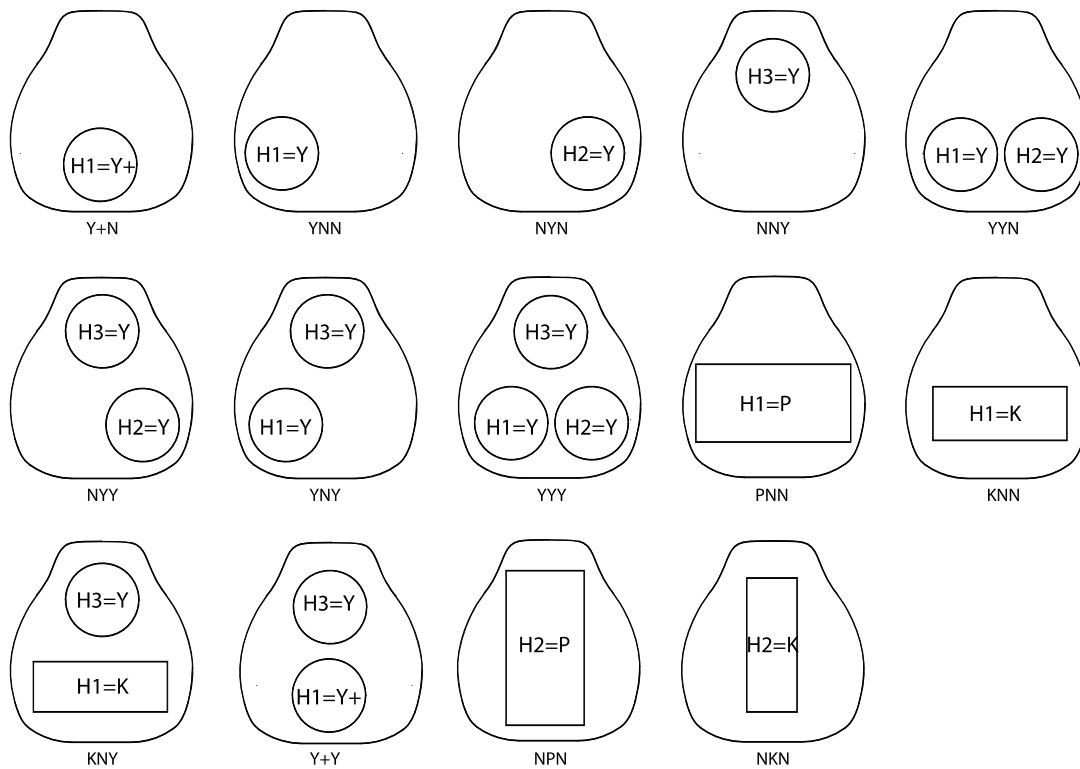
Push button = 1 function, roller/rocker/FNR/Operator Presence Switch = 2 functions

Technical Information  
**JS1 Heavy Duty Joysticks**

**ST2, SP2 grip**

**Faceplate options**

*ST2 grip faceplate options*

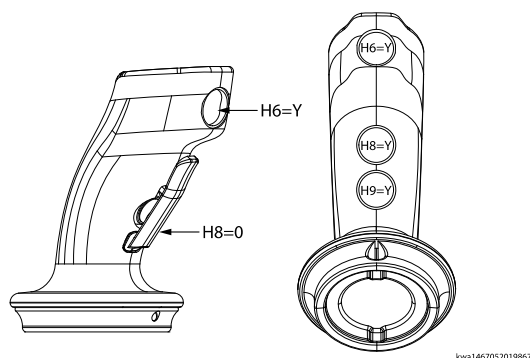


kwa1442519181260

**Related reference**

**Cover options**

*ST2 grip cover options*



kwa1467052019867

Technical Information  
**JS1 Heavy Duty Joysticks**

---

**PR2, PP2 grip**



The PR2, PP2 grip is the successor of the Prof 1. The grip features a forward-leaning, curved, ergonomic shape. The textured surface and movement pattern of the grip is designed for a comfortable user interface and maximum functional control.

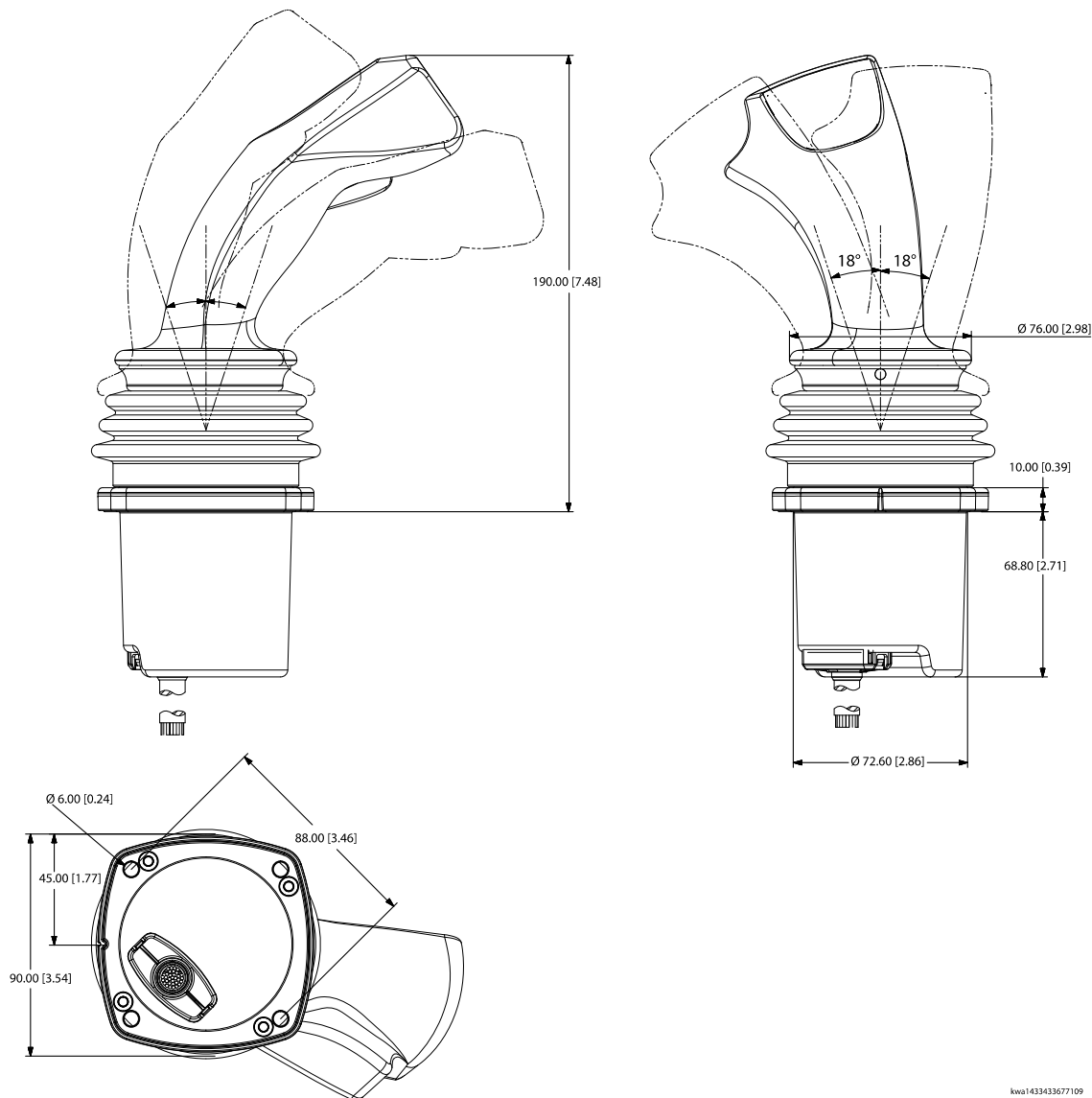
For applications that require high ingress protection (IP66) select the PP2 grip. For more information see F2 ordering code under *Grip model code* on page 58.

Technical Information  
**JS1 Heavy Duty Joysticks**

**PR2, PP2 grip**

**Dimensions**

PR2 grip with base dimensions in millimeters [inches]

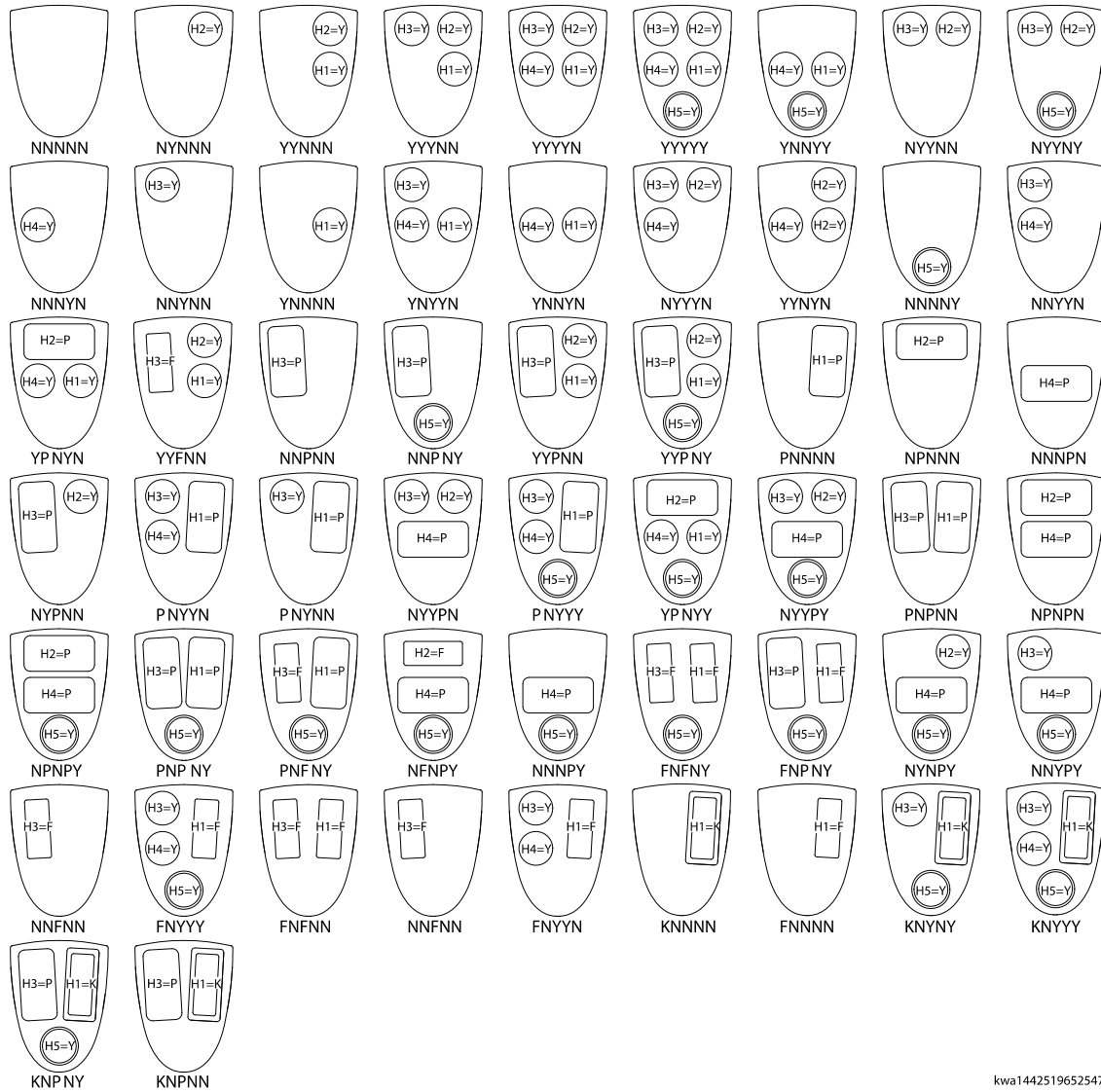


**Twelve total grip functions**

- Front plate: Up to five functions
- Grip left side: Up to three functions
- Grip right side: Up to two functions
- Grip rear side: Up to two functions or an OPS

Push button = 1 function, roller/rocker/FNR/Operator Presence Switch = 2 functions



Technical Information  
**JS1 Heavy Duty Joysticks**
**PR2, PP2 grip**
**Faceplate options**
*PR2 faceplate options*


kwa1442519652547

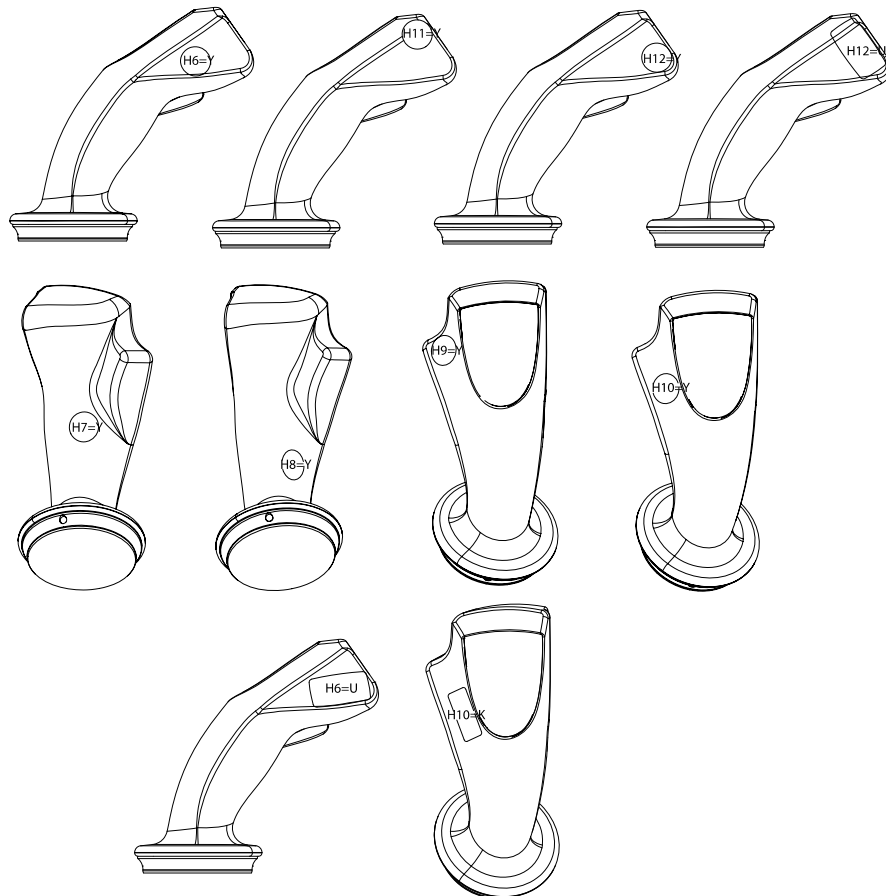
**Related reference**

Technical Information  
**JS1 Heavy Duty Joysticks**

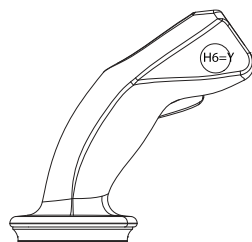
**PR2, PP2 grip**

**Cover options**

*PR2 cover options*



*H6 alternate position when configuring Prof1 replacement*



When this option is used, grip is limited to 8 functions.

Technical Information  
**JS1 Heavy Duty Joysticks**

---

**ST7, SP7 grip**



The multifunction, ambidextrous, ergonomic ST7, SP7 grip is designed for a comfortable user interface and maximum functional control. The ST7, SP7 grip features a modular design that allows switch location flexibility.

The ST7, SP7 grip is available with combinations of up to 11 push-button switches, or a mix of proportional, FNR, rocker switches, and an Operator Presence switch.

---

For applications that require high ingress protection (IP66) select the SP7 grip. For more information see F2 ordering code under *Grip model code* on page 58.

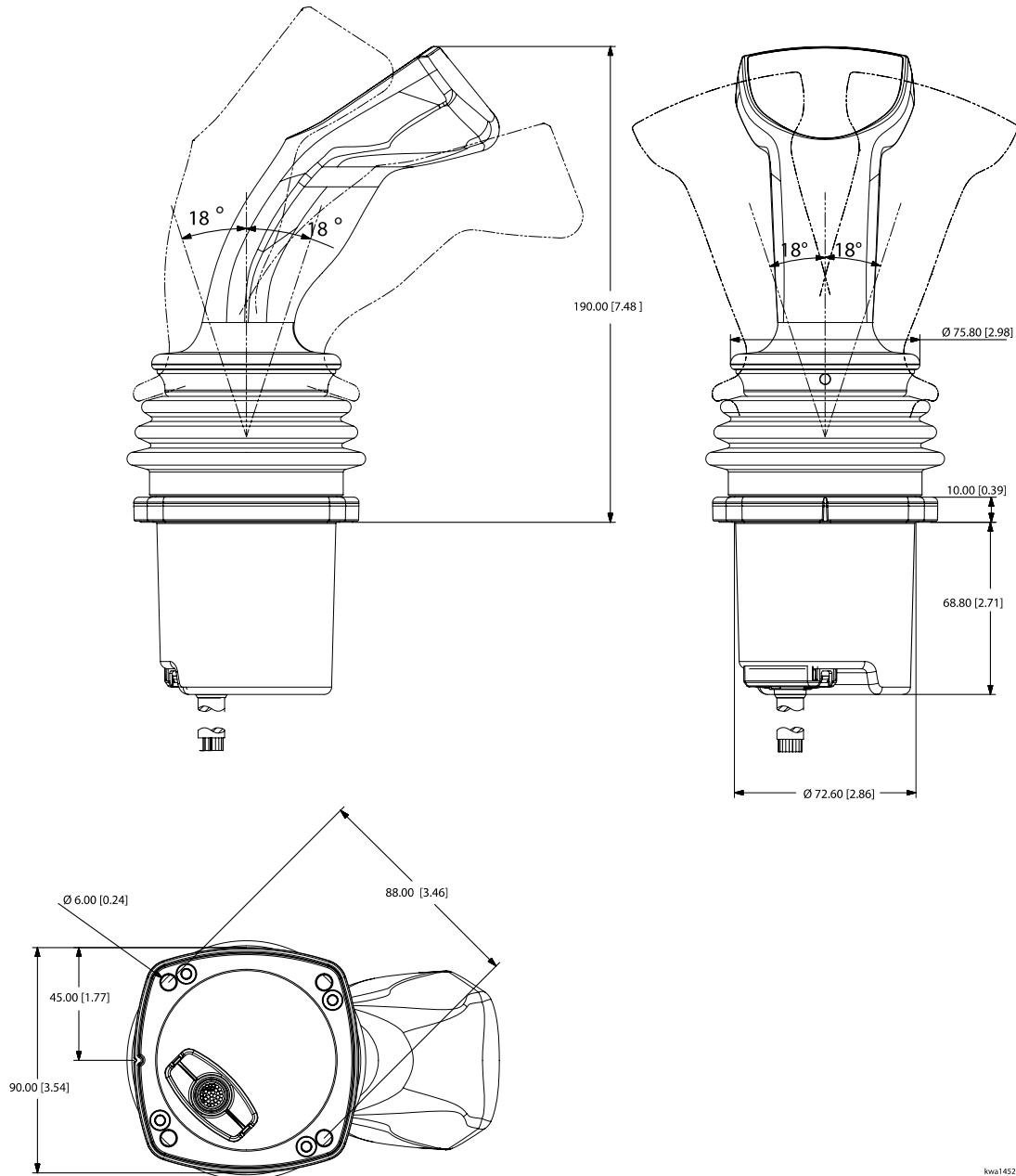
---

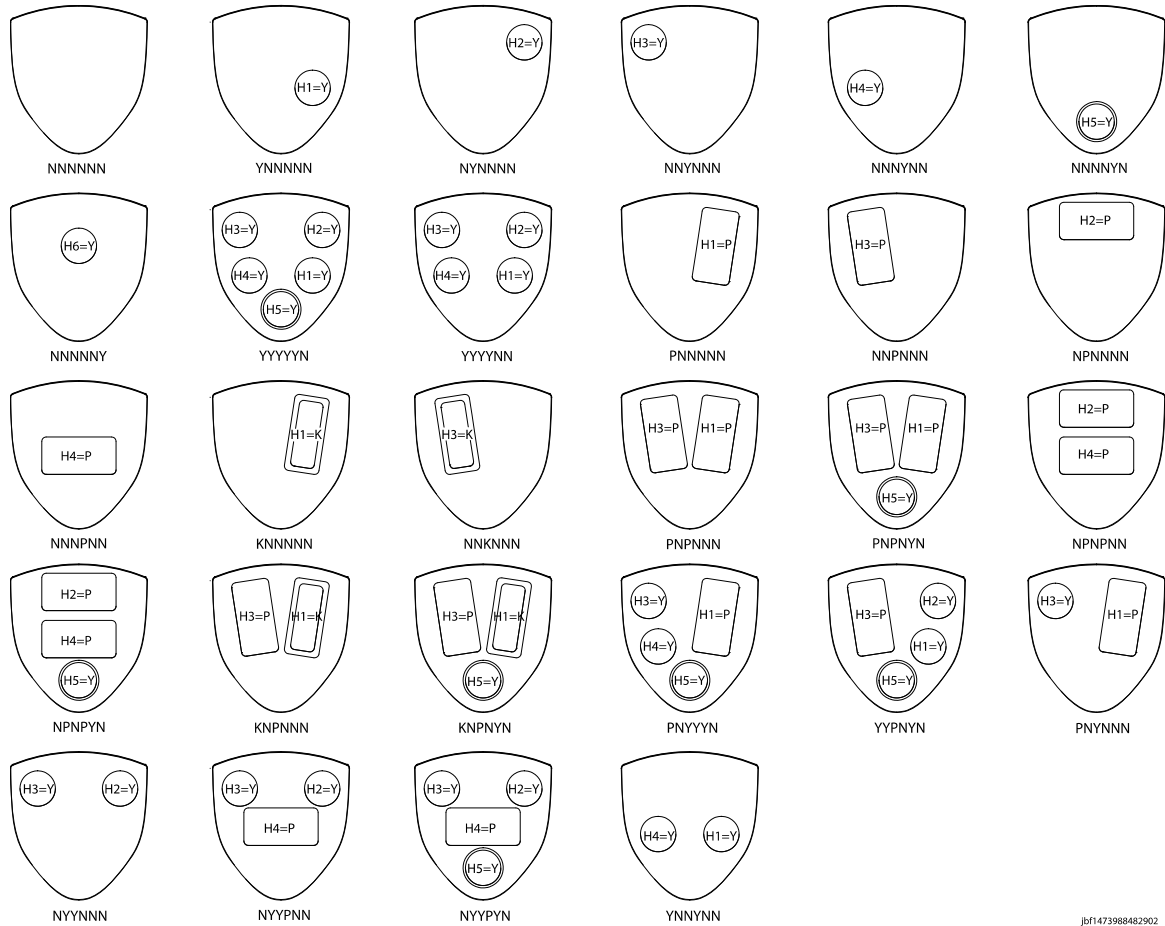
Technical Information  
**JS1 Heavy Duty Joysticks**

**ST7, SP7 grip**

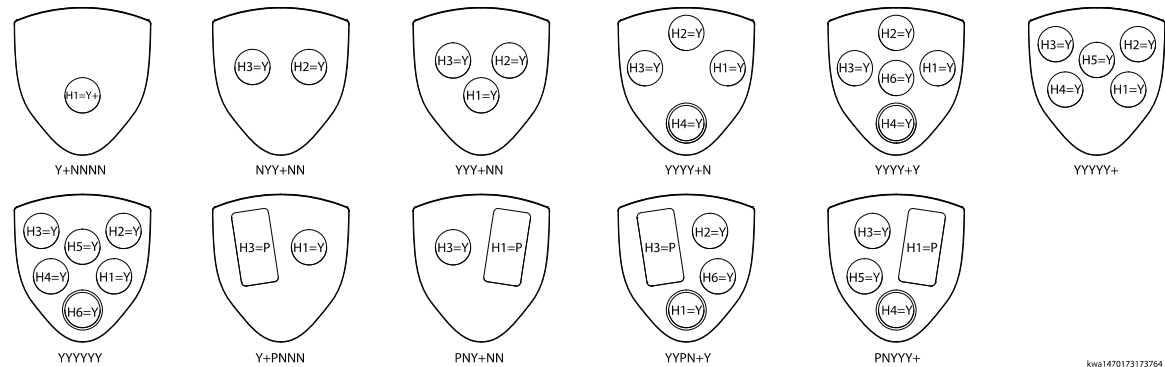
**Dimensions**

ST7 grip with base dimensions in millimeters [inches]



Technical Information  
**JS1 Heavy Duty Joysticks**
**ST7, SP7 grip**
**Faceplate options**
*ST7 grip faceplate options*


jbf1473988482902

*ST7 grip faceplate customer specified options*


kwa1470173173764

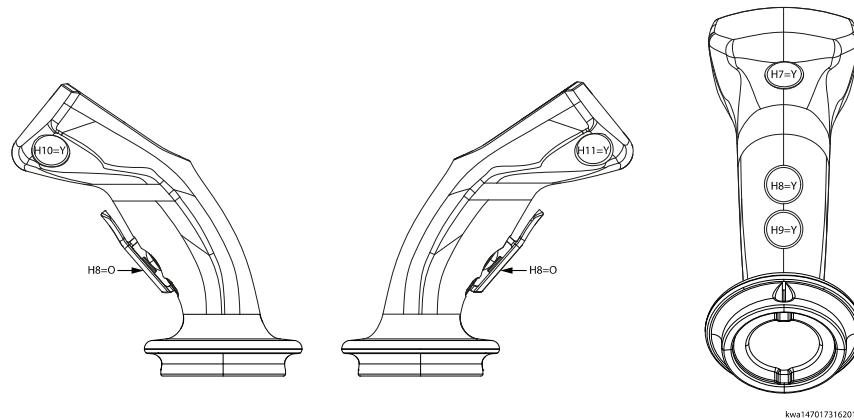
Technical Information  
**JS1 Heavy Duty Joysticks**

---

**ST7, SP7 grip**

**Cover options**

*ST7 cover options*



Technical Information  
**JS1 Heavy Duty Joysticks**

---

**PR7, PP7 grip**



The ergonomic PR7, PP7 left and right hand grips, with easy-to-use finger tip switches, are designed for ease of access to push-button, trigger switches and proportional grip function manipulation for a comfortable user interface and maximum functional control.

The PR7, PP7 grip features quicker adaptability, especially for new and complex machines, maximizing productivity in all operating conditions.

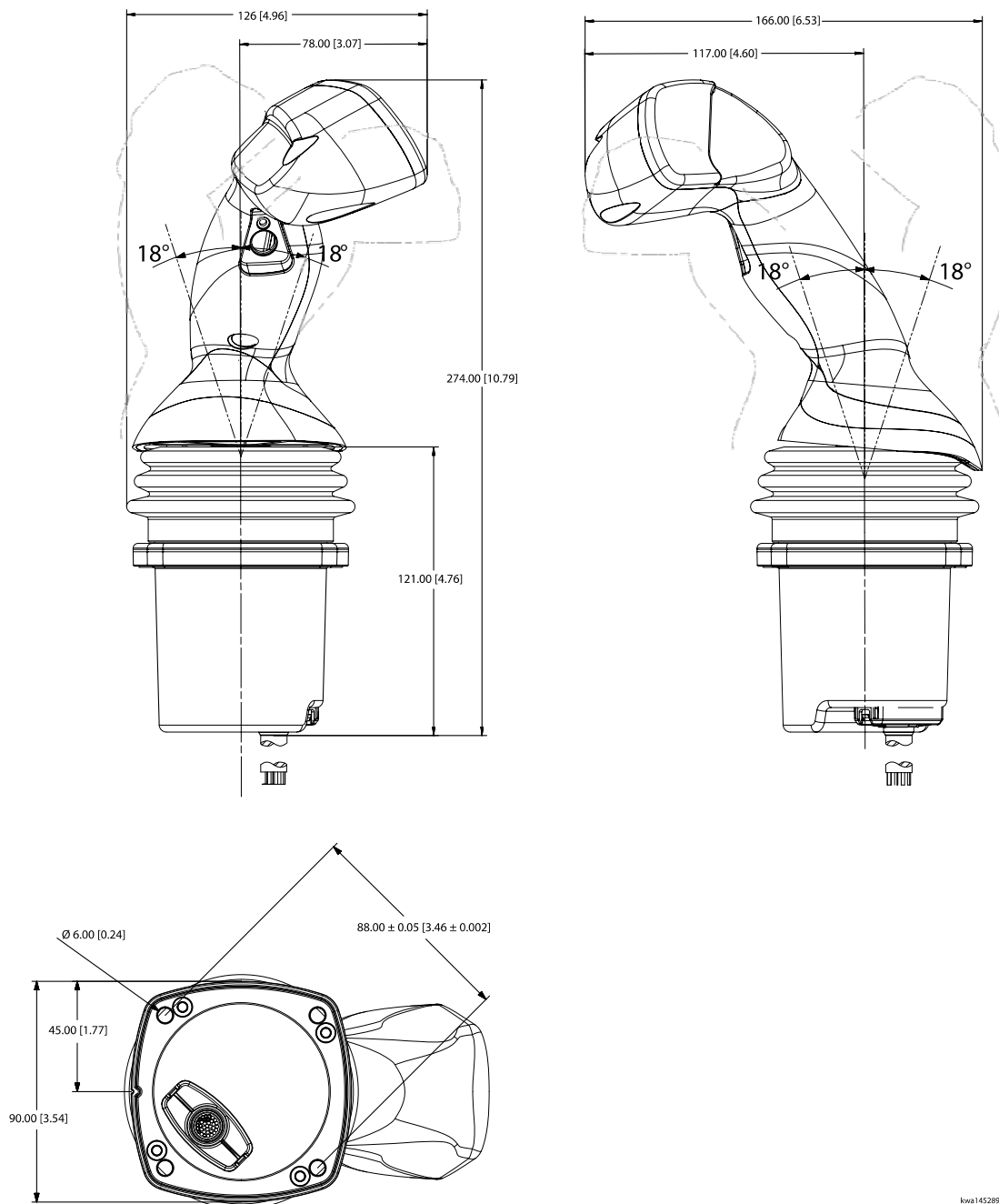
For applications that require high ingress protection (IP66) select the PP7 grip. For more information see F2 ordering code under *Grip model code* on page 58.

Technical Information  
**JS1 Heavy Duty Joysticks**

**PR7, PP7 grip**

**Dimensions**

PR7 grip with base dimensions in millimeters [inches]



kwa1452895556296

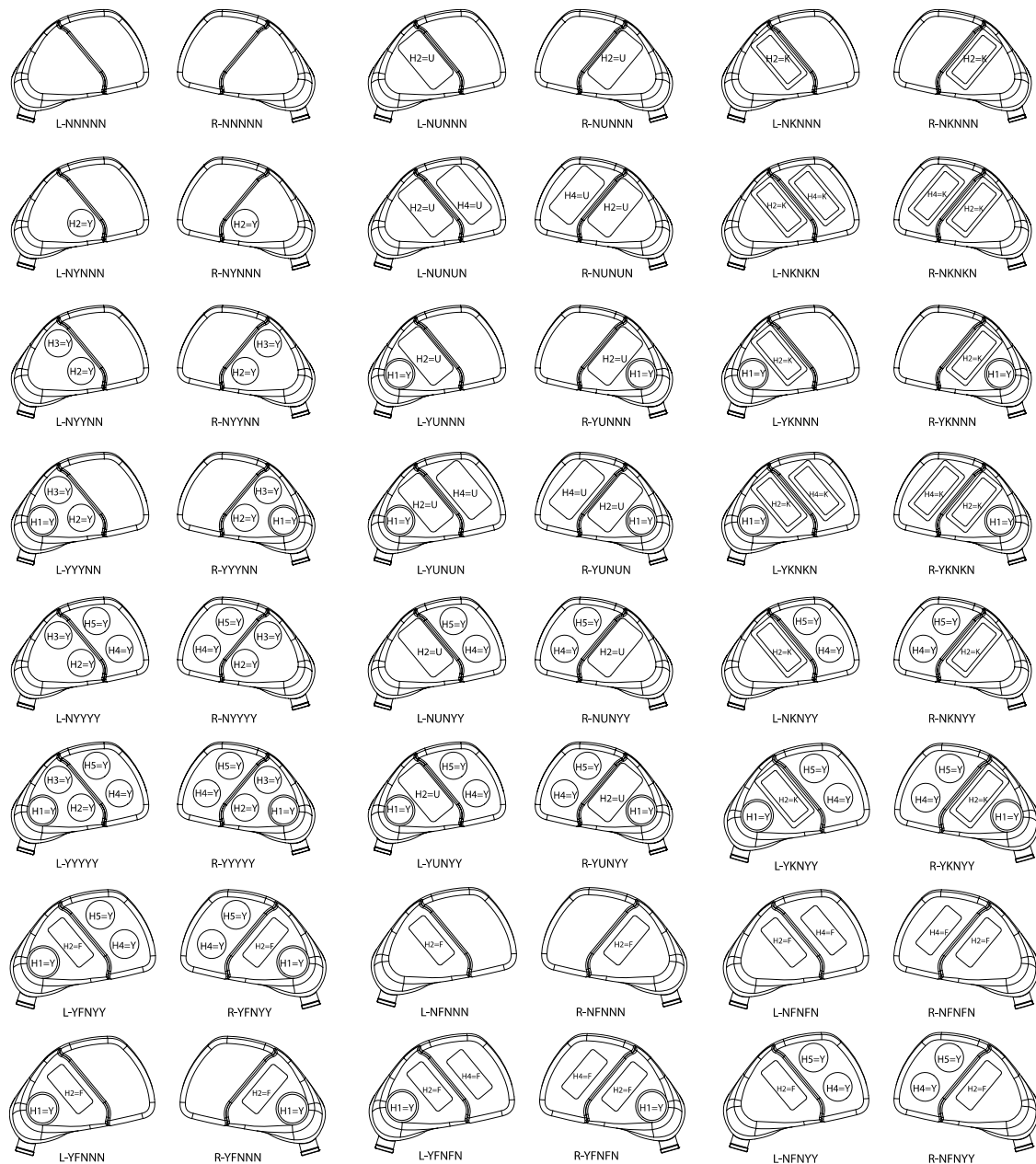


Technical Information  
**JS1 Heavy Duty Joysticks**

**PR7, PP7 grip**

**Faceplate options**

*PR7 faceplate options*



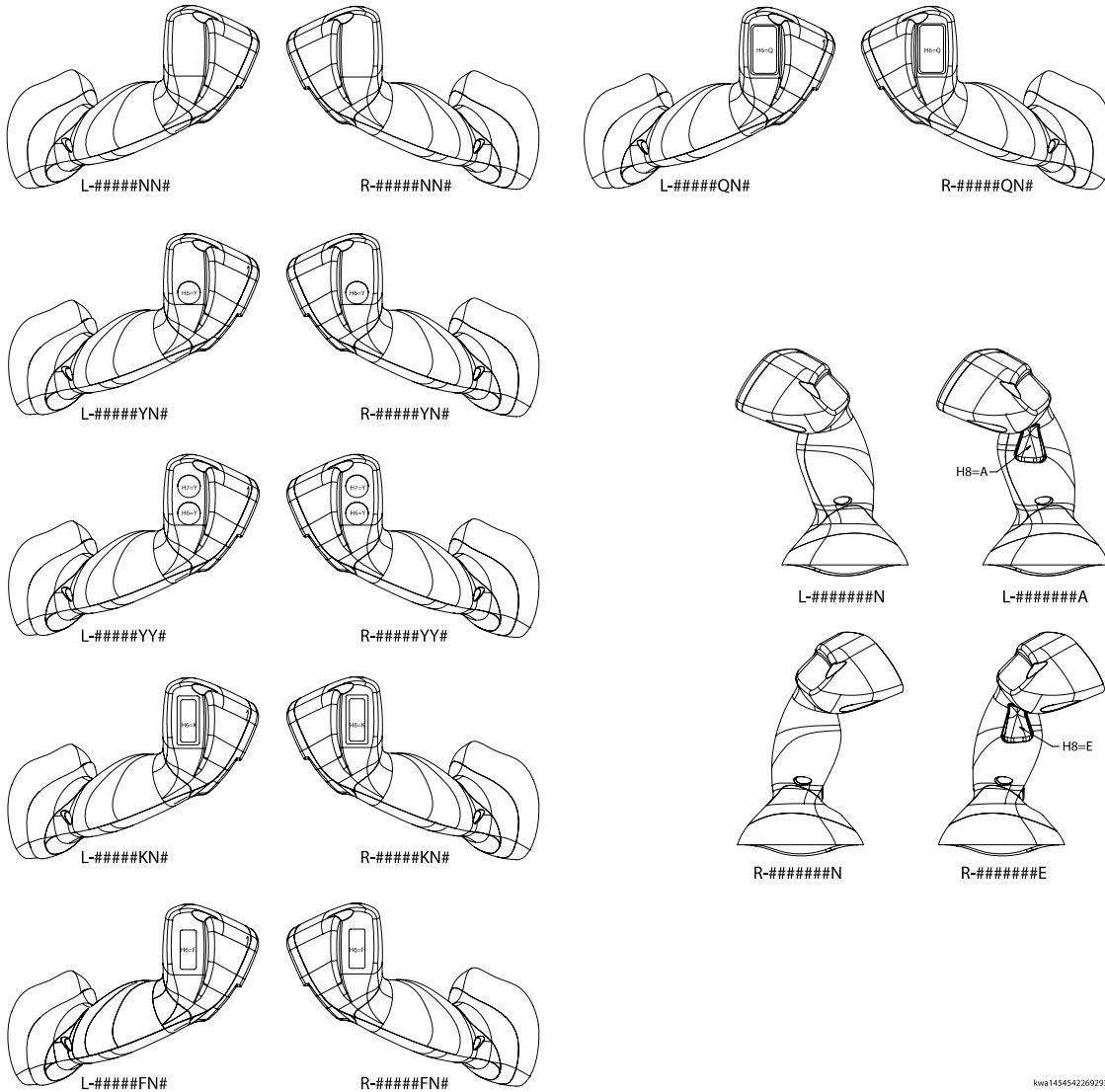
kwa1454539607113

Technical Information  
**JS1 Heavy Duty Joysticks**

**PR7, PP7 grip**

**Cover options**

*PR7 cover options*



Technical Information  
**JS1 Heavy Duty Joysticks**
**Compatible grips**

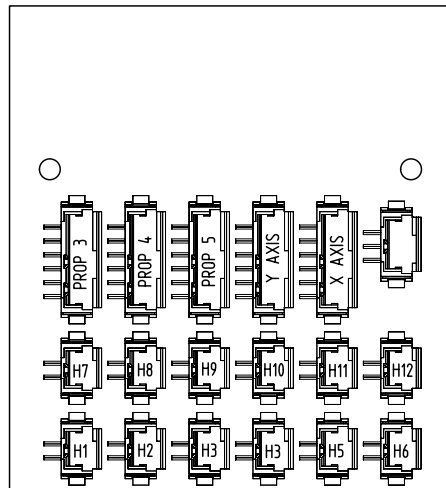
Other Danfoss grips compatible with the JS1 heavy duty base are Prof1, PVRE and PVRET which are generally used together with valves. For more information regarding Prof1, PVRE and PVRET grips please reference *Prof 1, PVRE and PVRET Joystick Technical Information Manual, 520L0541*.

**Grip only sales and service options**

All Danfoss grips are sell-able items. Go to [Product configuration model code](#) on page 55 and [Grip model code](#) on page 58 for developing grips.

All finger functions are marked with colored tape to indicate their position on the grip. The grip locations will match to a location on the printed circuit board.

*Printed circuit board*



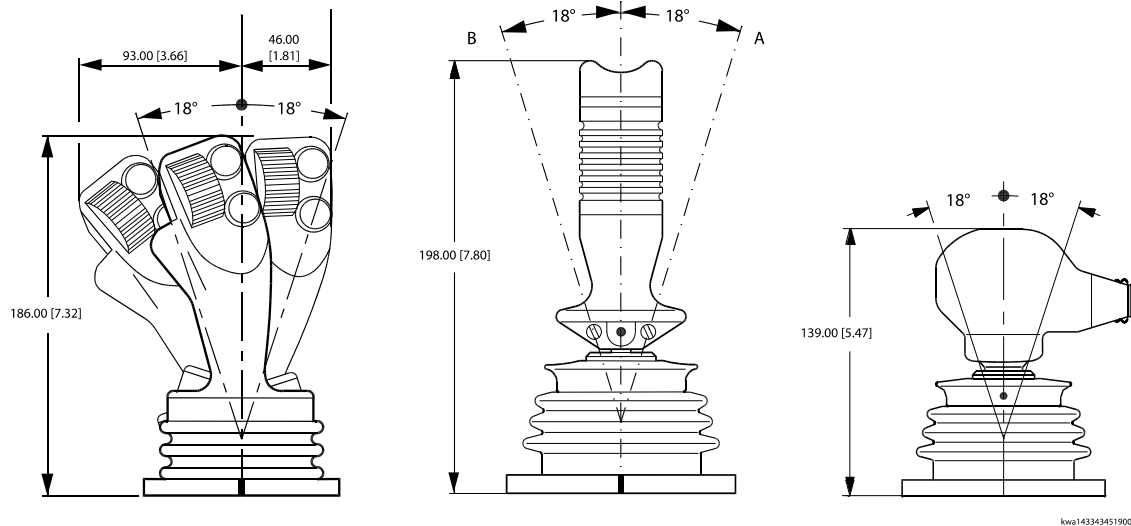
Position	Tape color
H1	Red
H2	Yellow
H3	Blue
H4	Black
H5	N/A
H6	None
H7	Green
H8	Blue/Black
H9	Yellow/Black
H10	Yellow/Red
H11	White/Red
H12	White/Green
Prop 3	N/A
Prop 4	Yellow
Prop 5	Red

Technical Information  
**JS1 Heavy Duty Joysticks**

**Compatible grips**

**Dimensions**

*PROF1; PVRE; and PVRET grips dimensions in millimeters [inches]*

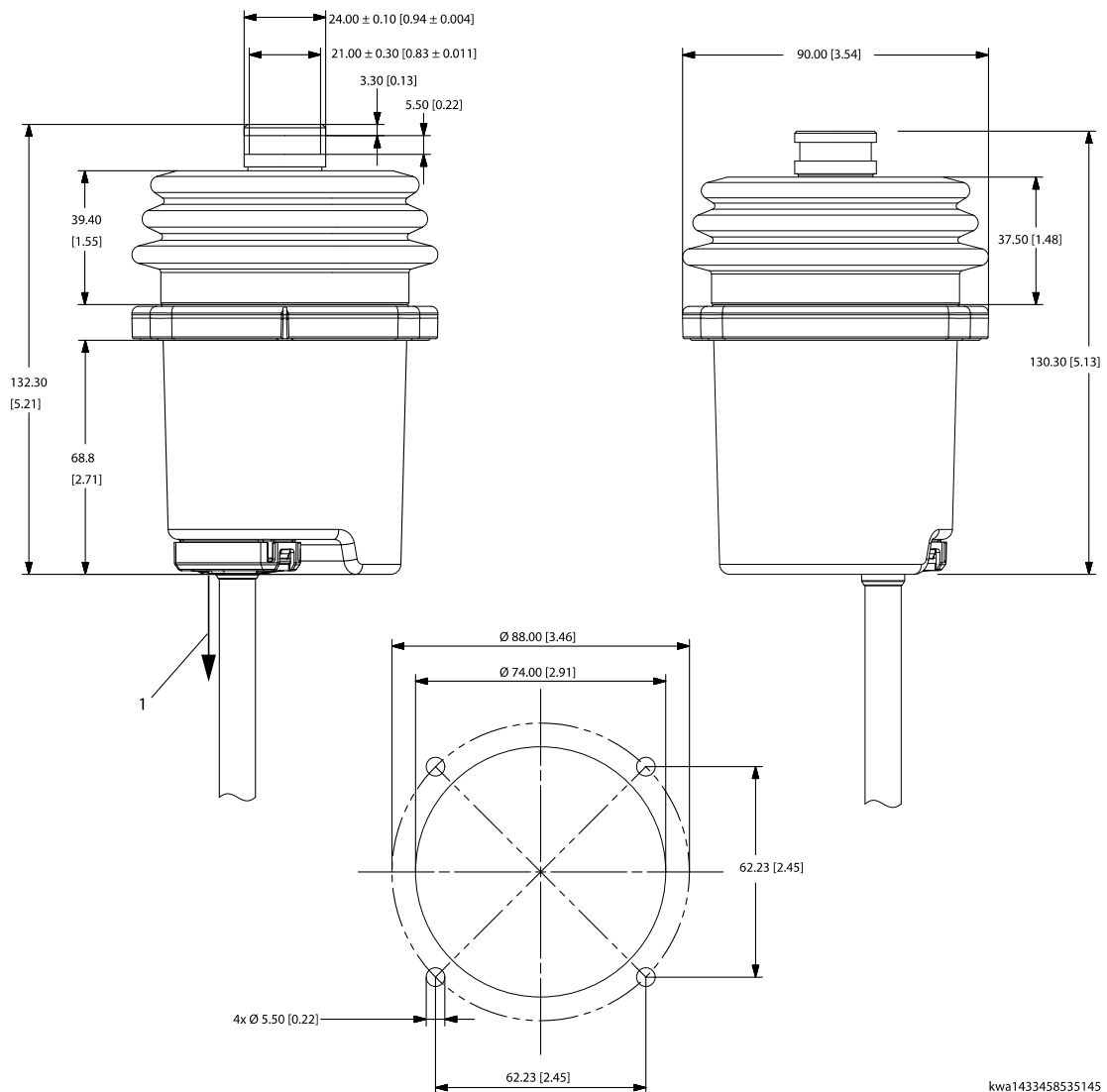


Technical Information  
**JS1 Heavy Duty Joysticks**

**Base**

**Dimensions**

*Friction held base; and Spring return base dimensions in millimeter [inches]*



**1. Minimum clearance from the bottom of the base:**

- 25.4 mm (1 in) for the one and two pin connector cables (CAN output)
- 40 mm (1.6 in) for all other cables

Mounting screws have a maximum torque of 7.9 N·m (69.9 in·lbf).

Technical Information  
**JS1 Heavy Duty Joysticks**


---

**Electronic modules**
**CAN**

The CAN heavy duty joystick provides conditioned output information in CAN 2.0B, J1939 or in CAN 2.0B, CANopen message protocols.

**CAN+**

The CAN+ electronic module is designed to provide the same functionality as some of the Danfoss JS6000 and JS7000 modules. "The +" feature set allows developers to take advantage of 4 analog and 7 digital inputs for other machine functions.

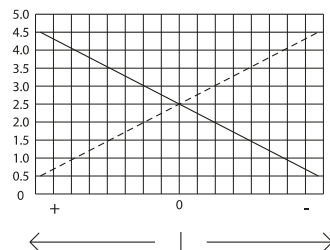
The Can+ electronic module has a sensor power output of 5.0 V<sub>DC</sub> rated for 250 mA.

**CANalog**

The CANalog electronic module provides conditioned output information in CAN 2.0B, J1939 or in CAN 2.0B, CANopen message protocols. Additionally, the two X-axis outputs and the two Y-axis outputs are brought out as analog signals on the connecting cables. The outputs from any other optional analog devices, such as rollers, are also brought out to the connecting cables.

**Additional X and Y analog outputs**

There are two X-axis outputs and two Y-axis outputs on the CAN joystick. The outputs are linear with respect to the shaft angle. The two outputs of the same axis are complementary of each other, as the output voltage of one increases, the output voltage of the second decreases. The voltage output ranges from 0.5 to 4.5 V<sub>DC</sub>.

**Proportional roller output**


P200078

<b>Volts:</b>	Output with Halls = 0.5 to 4.5 V
<b>Solid line:</b>	Output 1
<b>Dashed line:</b>	Output 2
<b>Left arrow:</b>	Direction 1 (+ travel)
<b>Right arrow:</b>	Direction 2 (- travel)

**PVE**

The PVE electronic module is designed to provide functionality the same as the Danfoss Prof1 Joystick. There are two different PVE modules, the Standard and the Extended.

**PVE—Standard**

The standard level electronic module provides amplifiers, inverting and signal relays on all proportional outputs, and an electronic switch on all On/Off outputs.

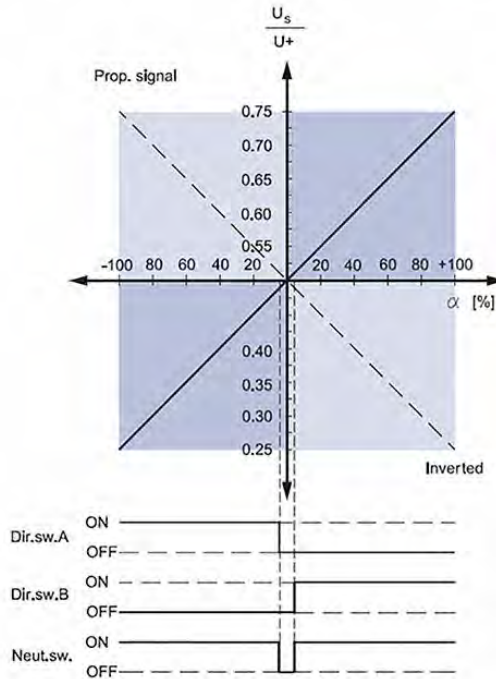
The signal relays are controlled by the power supply in such a way that a power failure will disconnect the output. When used together with a Danfoss proportional valve signal inversion, the joystick moves the

Technical Information  
**JS1 Heavy Duty Joysticks**

**Electronic modules**

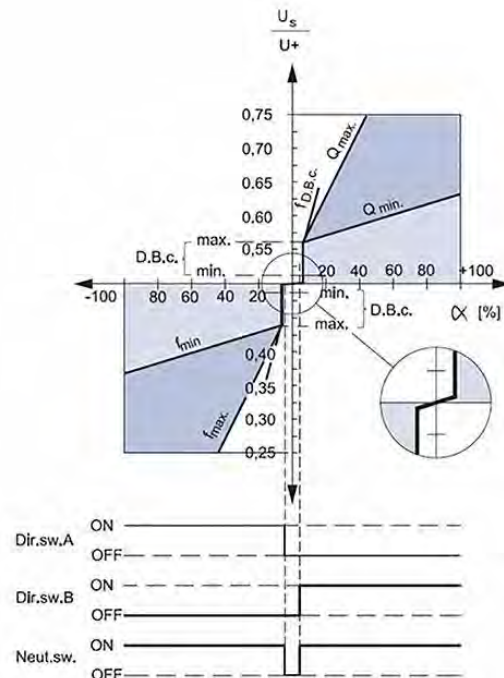
spool in the direction opposite to the default. This is equivalent to swapping the hoses on the valve outlets.

The directional switches are not affected by the signal inversion.



**Electronic modules**
**PVE—Extended**

The extended level electronic module has the same configuration as the standard level module. Additionally it has adjustable proportional functions. The extended level module offers the option of individual signal adaption (flow adjustment) and common dead-band compensation.



The dead band compensation ensures that the dead band of the valve is reduced to a minimum movement of the grip. The dead band compensation is only active outside the neutral range, which ensures normal amplification within the neutral position range. The dead band compensation is set for all four proportional functions on one potentiometer. For each proportional function there are two integrated potentiometers that independently control the gain for the A and B directions of the signal output without limiting the movement range of the handle (adjustable flow range). The gain of each function can be adjusted from 0.25 to 2.00. This has no effect within the dead band compensation.

**Non-Redundant Analog interface (CAT1)**

The Non-Redundant Analog interface provides single channel X-axis and Y-axis output signals by a pure analog platform that contains no active electronics. This version offers raw signals from function modules, proportional modules, and push buttons. This module is available only with Hall effect sensing elements. The Hall effect base is limited to  $5 V_{DC}$  input power and provides an output of 10 to 90% of the input voltage.

**Full-Redundant Analog interface (CAT3)**

In addition to the features of the Analog Category 1 electronic module, the Analog Category 3 interface provides redundant X- and Y-axis output signals with separated power supply and ground connections.

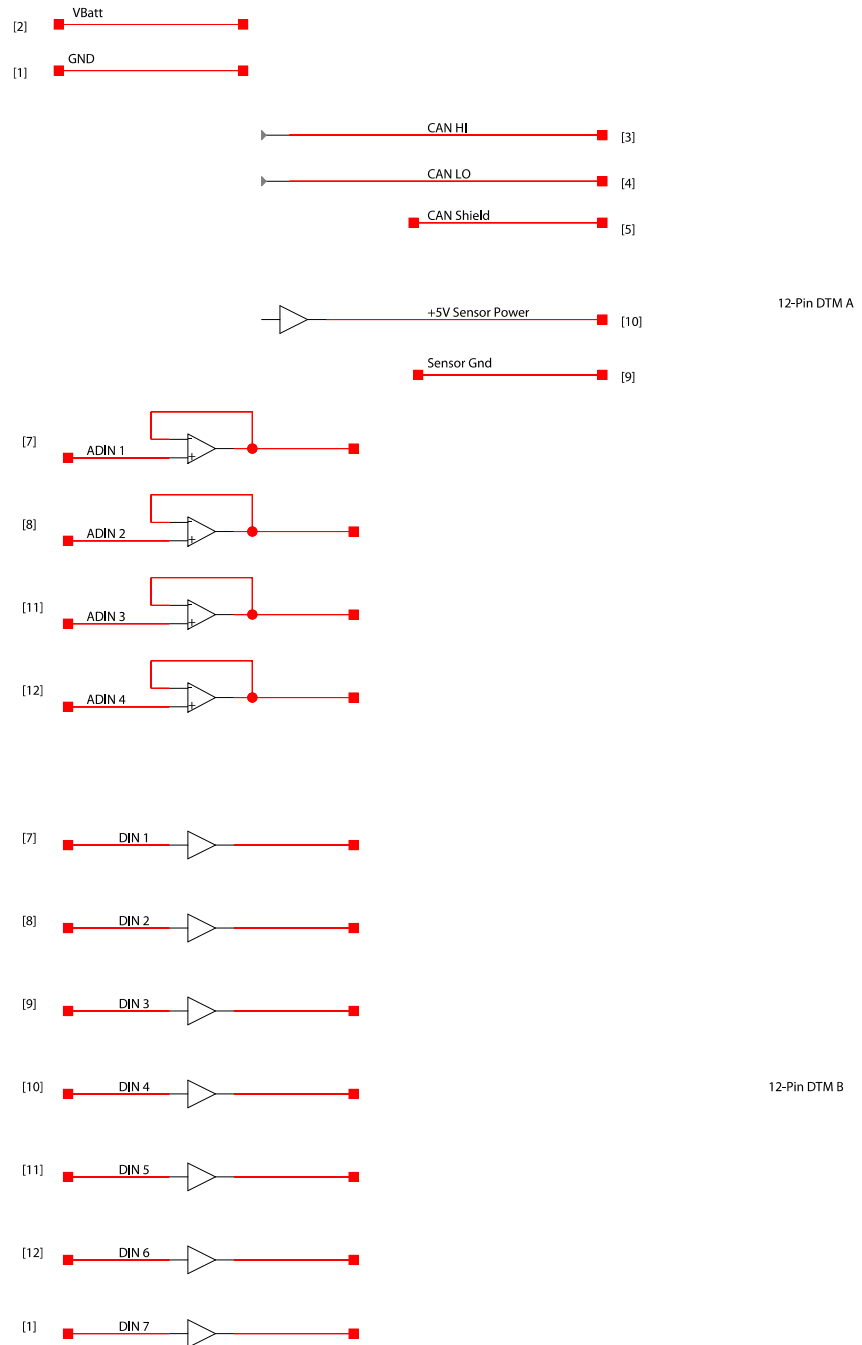


Technical Information  
**JS1 Heavy Duty Joysticks**

**Connection diagrams**

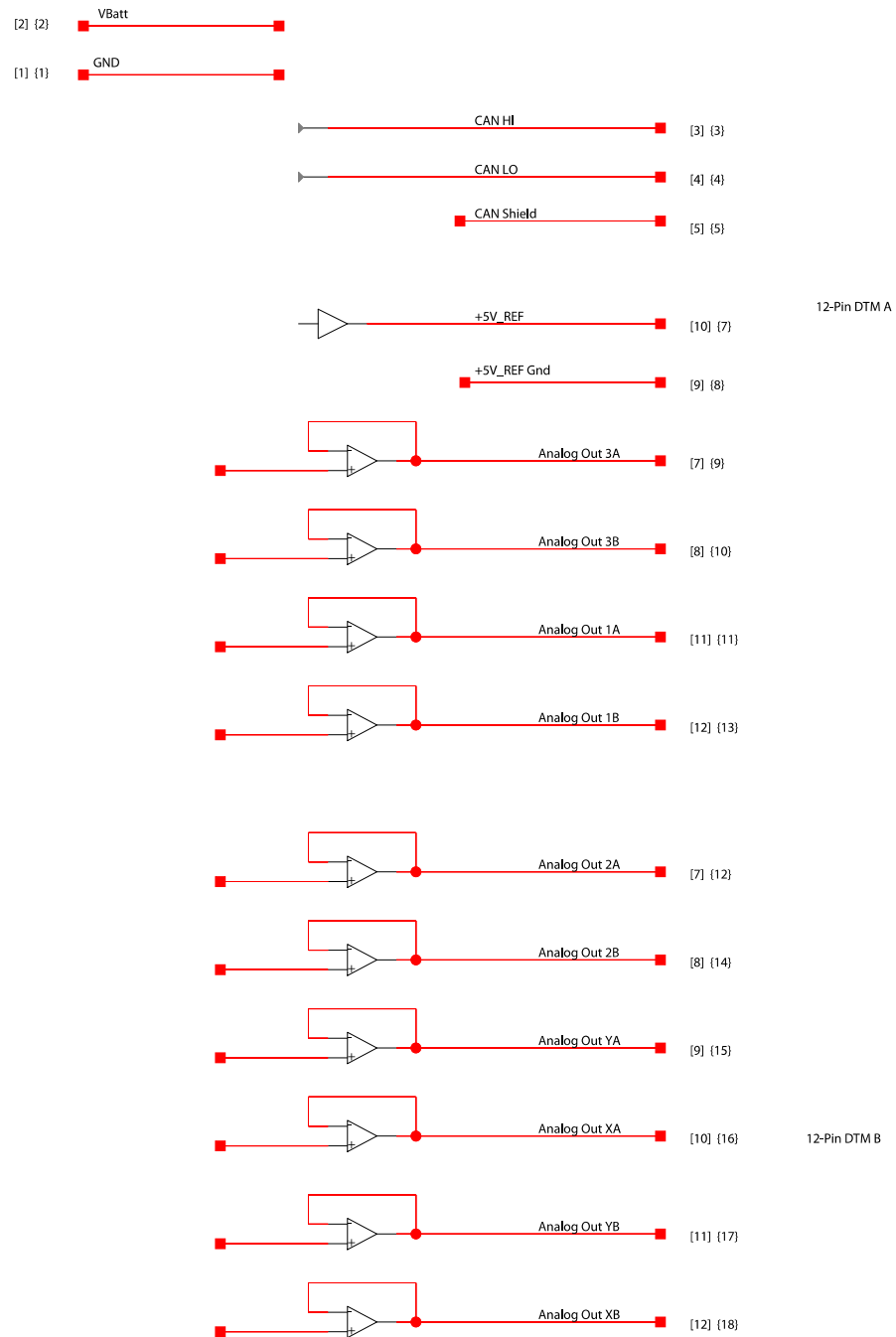
**CAN+**

Numbers in [] indicate external DTM pin number.



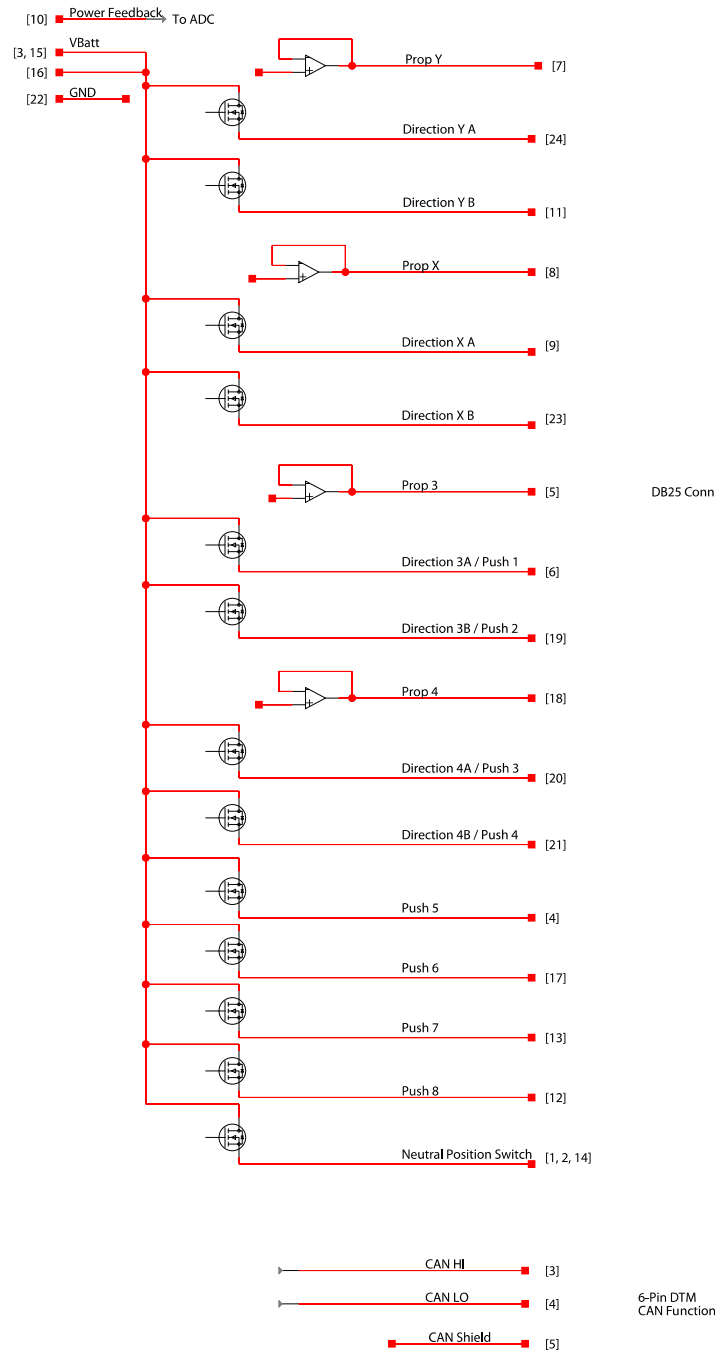
**Connection diagrams**
**CANalog**

Numbers in [] indicate external DTM pin number, numbers in {} indicate external 18 pin DT pin number.



Technical Information  
**JS1 Heavy Duty Joysticks**
**Connection diagrams**
**PVE DSUB**

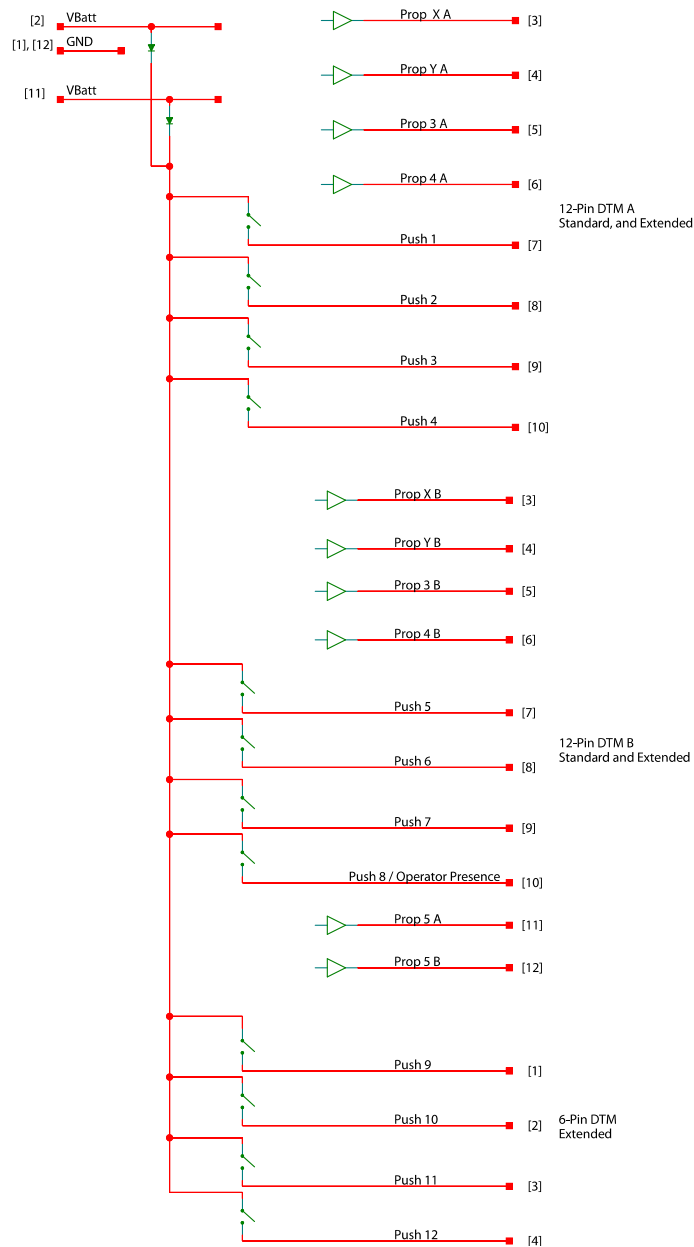
Numbers in [ ] indicate the DB25 connector pin number.



**Connection diagrams**

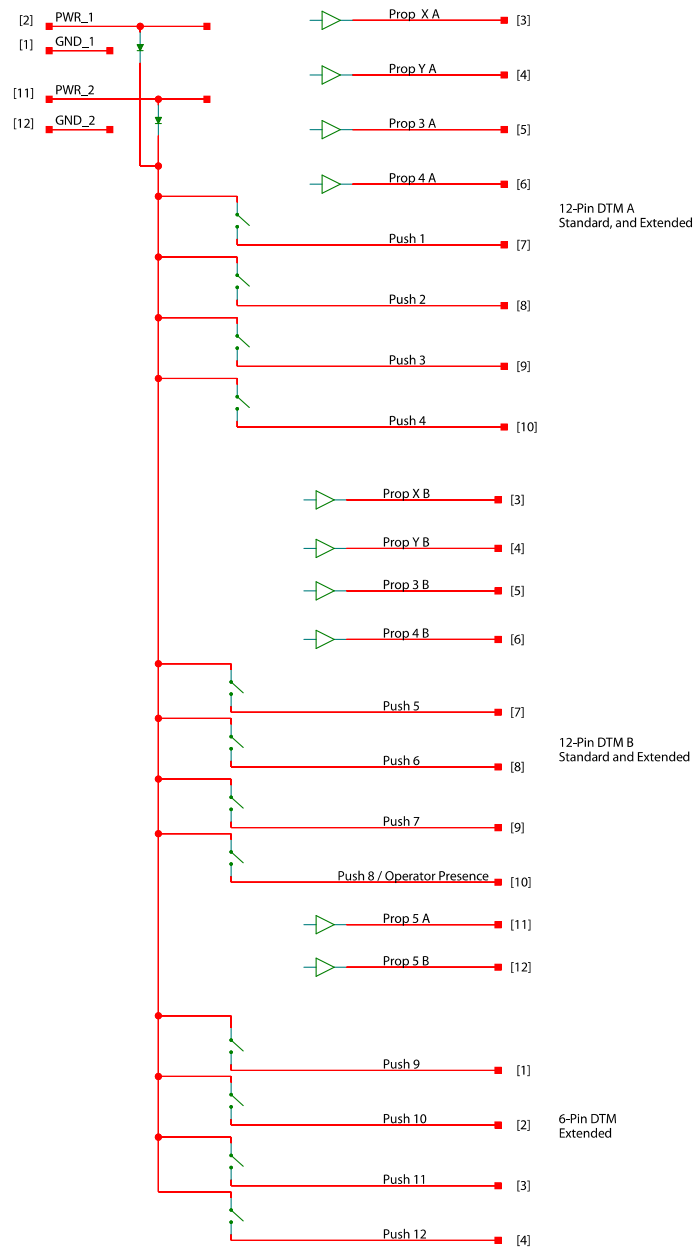
**Analog Cat 1**

Numbers in [ ] indicate external DTM pin number.



Technical Information  
**JS1 Heavy Duty Joysticks**
**Connection diagrams**
**Analog Cat 3**

Numbers in [ ] indicate external DTM pin number.

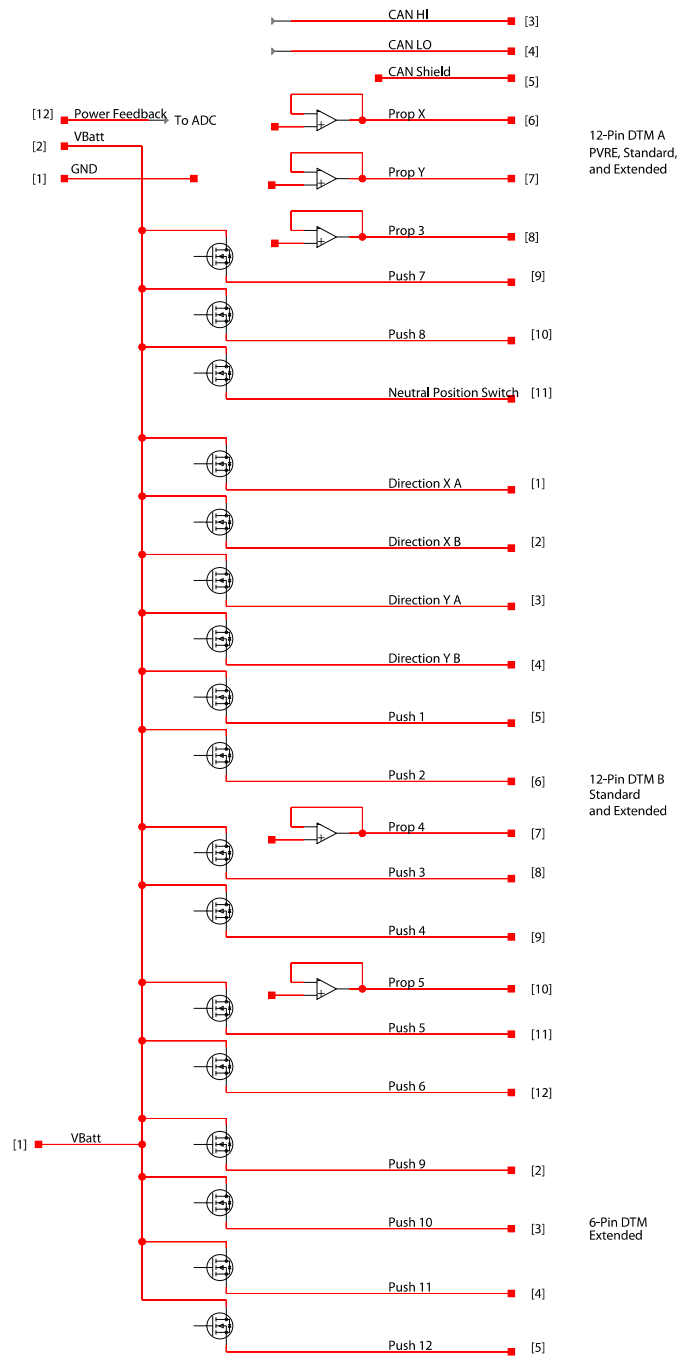


Technical Information  
**JS1 Heavy Duty Joysticks**

Connection diagrams

**PVE DEUTSCH**

Numbers in [] indicate external DTM pin number.



**Specifications**
**Mechanical**
*Mechanical characteristics*

<b>Shaft mechanical angle limits</b>	± 18°
<b>Base mechanical life</b>	Single axis with friction = 1 million full operating cycles Single axis and dual axis with spring return = 2.0 million full operating cycles
<b>Maximum force on handle</b>	1000 N
<b>Maximum torque</b>	15 Nm
<b>Base only mass</b>	0.75 kg (1.65 lbf)
<b>Weight (base without grip)</b>	725 G (1.8 lb)
<b>Vertical maximum load</b>	6000 N (1350 lbs)

*Spring return*

<b>Breakout load on axis</b>	Standard duty spring: 6 to 8.5 N (3.37 to 5.71 lbf) Heavy duty spring: 12 to 19 N (2.698 to 4.271 lbf)
------------------------------	-----------------------------------------------------------------------------------------------------------

*Friction hold*

<b>Friction level</b>		<b>Friction</b>	<b>Center detent</b>
A	Low friction-Low detent	0.8 Nm	1.5 Nm
B	Low friction-High detent	0.8 Nm	2.0 Nm
C	High friction-High detent	1.6 Nm	3.0 Nm

**Electrical—CAN, CAN+, and CANalog**
*Electrical—CAN, CAN+, and CANalog characteristics*

<b>Sensor type</b>	Hall effect with redundant sensors Potentiometer
<b>Resolution</b>	12 bit
<b>Supply voltage (V<sub>s</sub>)</b>	9 to 36 V <sub>DC</sub>
<b>Output</b>	J1939 and CANopen protocols
<b>Can+ Sensor Power</b>	5.0 V <sub>DC</sub> +/- 5% at 250 mA
<b>CANalog volt reference</b>	5.0 V <sub>DC</sub> +/- 5% at 50 mA
<b>Base maximum current consumption</b>	120 mA at 9 V
<b>CANalog analog outputs</b>	0.5 to 4.5 V <sub>DC</sub> at 1 mA max

**Electrical—PVE (Standard and Extended)**
*Electrical—PVE (Standard and Extended) characteristics*

<b>Supply voltages</b>	U <sub>DC</sub>	9 to 36 V <sub>DC</sub>
<b>Maximum current consumption</b>		8 A
<b>Current consumption, no load</b>		150 mA
<b>Maximum load for push buttons and directional switches for all proportional functions</b>		0.6 A
<b>Neutral position switch</b>		3 A

Technical Information  
**JS1 Heavy Duty Joysticks**
**Specifications**
*Electrical—PVE (Standard and Extended) characteristics (continued)*

<b>Sensor type</b>		Hall effect with redundant sensors	
		Potentiometer	
<b>Signal voltage <math>U_s</math></b>	<b>Minimum to maximum</b>	0.25 to 0.75	
	<b>Neutral position</b>	0.50	
<b>Signal load in neutral position</b>	<b>Load type</b>	<b>PVE</b>	<b>Other</b>
	<b>Load impedance</b>	>6 k $\Omega$	>15 k $\Omega$
<b>Signal current at maximum movement</b>	<b><math>U_{DC} = 12\text{ V}</math></b>	<b>6 k<math>\Omega</math></b>	<b>15 k<math>\Omega</math></b>
		$\pm 0.6\text{ mA}$	0.2 to 0.6 mA
	<b><math>U_{DC} = 24\text{ V}</math></b>	$\pm 1.2\text{ mA}$	0.4 to 1.2 mA
<b>Signal current in neutral position</b>	<b><math>U_{DC} = 12\text{ V}</math></b>	$\pm 0\text{ mA}$	$\pm 0.4\text{ mA}$
	<b><math>U_{DC} = 24\text{ V}</math></b>	$\pm 0\text{ mA}$	$\pm 0.8\text{ mA}$
<b>Inverter</b>	<b>Non inverted</b>	Output signal = $U_s$	
	<b>Inverted</b>	Output signal = $-1 \times (U_s - 0.5 \times U_+) + 0.5 \times U_+$	

**Electrical—PVE (Extended only)**
*Electrical—PVE (Extended only) characteristics*

<b>Signal regulation <math>U_s</math></b>	<b><math>U_s</math> Minimum (50%)</b>	0.37 to 0.63 at 100% movement
	<b><math>U_+</math> Maximum (200%)</b>	0.25 to 0.75 at 50% movement
<b>Dead band compensation</b>	<b><math>U_s</math> Minimum</b>	0.00
	<b><math>U_+</math> Maximum</b>	0.06

**Electrical—Analog Cat 1, Cat 3**
*Electrical—Analog Cat 1, Cat 3 characteristics*

<b>Sensor type</b>	Hall effect with redundant sensors
<b>Supply voltage (<math>V_s</math>)</b>	4.5 to 5.5 $V_{DC}$
<b>Output</b>	10 to 90% of input voltage
<b>Output impedance</b>	1 mA max output current at 200 Ohm output impedance
<b>Digital outputs</b>	$V_s - 0.3 V_{DC}$ , maximum current 100 mA

**Environmental**
*Environmental characteristics*

<b>Operating temperature</b>	CAN, CANalog, CAN+, Analog Cat1, Analog Cat3	-30° C to 80° C (-22° F to 176° F)
	PVE	-30° C to 70° C (-22° F to 158° F)
<b>Storage temperature</b>	-40° C to 85° C (-40° F to 185° F)	
<b>EMI/RFI rating</b>	150 V/m	
<b>Vibration</b>	25 G, 10 ms, 500 bumps in each of 6 directions IEC 60068-2-29 test Eb	



Technical Information  
**JS1 Heavy Duty Joysticks**

---

**Specifications**





*Environmental characteristics (continued)*

<b>Shock</b>	50 G, 11 ms, 3 shocks in each of 6 directions IEC 60068-2-29 test Ea
<b>Ingress Protection (IP) rating</b>	Up to IP 66 (dependent on grip sealing selected)


For more information regarding Ingress Protection (IP) rating reference F2—Grip type, *Grip model code* on page 58

---


Technical Information  
**JS1 Heavy Duty Joysticks**
**Joystick functions**
**Grip options**

Name	Image	Option	Switch functions quantity	Push buttons quantity	Roller/rocker quantity	Alternative configuration
HR1		Left hand and right hand grip	10	10	3	2 rollers or rockers with 4 push buttons
ST2		Ambidextrous grip	5	5	1	1 roller or rocker with 1 push button and 1 Operator Presence switch
PR2		Left hand and right hand grip	12	11	3	3 rollers or rockers with 3 push buttons and 1 Operator Presence switch
ST7		Ambidextrous grip	11	11	2	2 rollers or rockers with 2 push buttons and 1 Operator Presence switch
PR7		Left hand and right hand grip	8	7	3	3 rollers or rocker with 1 push button and 1 trigger switch


**Push button**


Name	View	Description	Data	Code number
Flat profile		Action	Momentary	11174908-Black--B
		Type	Single pole, NO	11174907-Red--R
		Current rating	30 Vdc/50 mA	11174906-Yellow--Y
		Connection in base	Use 1 function	11174909-Gray--G
		Mechanical life	1 million cycles	11189216-Green--L
		Operating force	1 to 2.5 N (100 to 250 g)	11189217-Blue--W
		Ingress protection, IP rating	IP 66	11189218-White--H
		Operating temperature	-30°C to 60°C (-22°F to 140°F)	

Technical Information  
**JS1 Heavy Duty Joysticks**
**Joystick functions**


Name	View	Description	Data	Code number
Dome shape		Action	Momentary	11167315-Yellow-1
		Type	SPST-NO-DB	11167314-Black-2
		Current rating	30 Vdc/50 mA	11189213-Green-3
		Connection in base	Use 1 function	11167271-Red-4
		Mechanical life	1 million cycles	11189214-Blue-5
		Operating force	Nominal 3 N (306 g)	11189215-White-6
		Ingress protection, IP rating	IP 66	
		Operating temperature	-40°C to +85°C (-40°F to 185°F)	

**Roller**


Name	View	Description	Data	Code number
Roller—5mm (use only on the faceplate)		Action	Spring return to neutral	162B3100—P
		Output	Max. voltage: 30 Vdc	162B3109—S
			Proportional signal: 25% - 50% - 75%	
			Impedance: 5 kΩ ±50%	
			Signal: 15 uA (1 mA peak)	
		Direction switches	30 Vdc/2 mA	
		Working angle	±42°	
		Mechanical life	3 million cycles	
		Ingress protection (IP) rating	IP 43	
Operating temperature	-30°C to 60°C (-22°F to 140°F)			


Name	View	Description	Data	Code number
Roller—3mm (use only on the grip)		Action	Spring return to neutral	11145231—U
		Output	Maximum voltage: 30 Vdc	11089719—Q
			Proportional signal: 25% - 50% - 75%	
			Impedance: 5 kΩ ±50%	
			Signal: 15 uA (1mA peak)	
		Direction switches	30 Vdc/2 mA	
		Working angle	±42°	
		Mechanical life	3 million cycles	
		Ingress protection (IP) rating	IP 43	
Operating temperature	-30°C to 60°C (-22°F to 140°F)			

Technical Information  
**JS1 Heavy Duty Joysticks**
**Joystick functions**


Name	View	Description	Data	Code number
Roller—proportional		Action	Proportional spring return to center ±40° mechanical travel	11174764—V
		Sensing	Hall effect	
		CAN electrical output	±0 to 1000 counts from center	
		Analog electrical output	0.5 to 4.5 Vdc (2.5 Vdc center)	
		Mechanical life	3 million cycles	
		Ingress protection (IP) rating	Electrical shield IP 66	
		Operating temperature	-30°C to 60°C (-22°F to 140°F)	

**FNR**

Name	View	Description	Data	Code number
Black		Action	3-position maintained	162B3030—F
		Type	Single pole, NC - NO - NC	
		Contact rating	30 Vdc/50 mA	
		Connection in base	Use 2 functions	
		Mechanical life	1 million cycles	
		Ingress protection, IP rating	IP 40	
		Operating temperature	-30°C to 60°C (-22°F to 140°F)	

Name	View	Description	Data	Code number
Red		Action	3-position maintained	11181338—K
		Type	Single pole, NC - NO - NC	
		Contact rating	30 Vdc/50 mA	
		Connection in base	Use 2 functions	
		Mechanical life	1 million cycles	
		Ingress protection, IP rating	IP 54	
		Operating temperature	-30°C to 60°C (-22°F to 140°F)	


**Toggle switch**


Name	View	Description	Data	Code number
Rocker		Action	2-position maintained	11043530—T
		Type	Single pole, NO and NC output	
		Contact rating	30 Vdc/50 mA	
		Connection in base	Use 2 functions	
		Mechanical life	1 million cycles	
		Ingress protection, IP rating	IP 40	
		Operating temperature	-30°C to 60°C (-22°F to 140°F)	

Technical Information  
**JS1 Heavy Duty Joysticks**


---

**Joystick functions**
**Operator Presence switch**

Name	View	Description	Data	Code number
Square push button		Action	Momentary	162B3020—D
		Type	Single pole, NO	
		Contact rating	30 Vdc, 50 mA	
		Connection in base	Use 1 function	
		Mechanical life	1 million cycles	
		Ingress protection, IP rating	IP 40	
		Operating temperature	-20° C to 55° C (-4° F to to 67° F)	

Name	View	Description	Data	Code number
Operator Presence switch		Action	Momentary	11169098 - O
		Type	Single pole, NO	
		Contact rating	10 mA, 12 Vdc resistive	
		Connection in base	Use 1 function	
		Mechanical life	1 million cycles	
		Ingress protection, IP rating	IP 66	
		Operating temperature	-40° C to +85° C (-40° F to 185° F)	

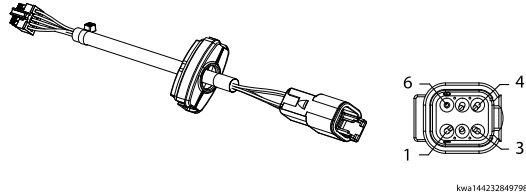
Technical Information  
**JS1 Heavy Duty Joysticks**

**Connector options and cabling**

**One 6 pin connector**

Used only with CAN base.

Cabling and pin location: One 6 pin DEUTSCH DTM04 connector



One 6 pin pinout

DEUTSCH DTM04 6 pin	Function
1	Ground
2	Power
3	CAN high
4	CAN low
5	CAN shield
6	NC

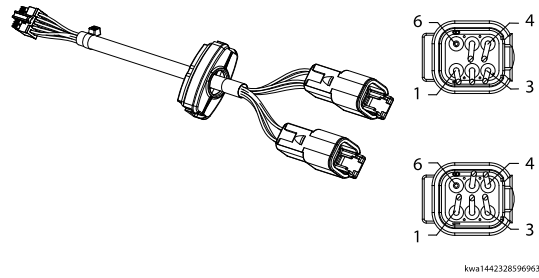
Technical Information  
**JS1 Heavy Duty Joysticks**

**Connector options and cabling**

**Two 6 pin connectors**

Used only in CAN base.

*Cabling and pin location: Two 6 pin DEUTSCH DTM04 connectors*



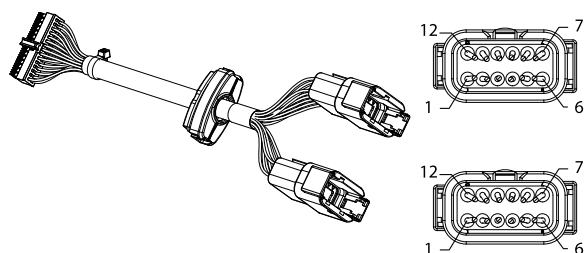
*Two 6 pin pinout*

DEUTSCH DTM04 6 pin	DEUTSCH DTM04 6 pin	Function
1		Ground
2		Power
3		CAN high
4		CAN low
5		CAN shield
6		NC
	1	Ground
	2	Power
	3	CAN high
	4	CAN low
	5	CAN shield
	6	NC

Technical Information  
**JS1 Heavy Duty Joysticks**
**Connector options and cabling**
**Two 12 pin connectors**

Used only on CANalog, CAN+, PVE, Analog Cat 1, and Analog Cat 3 Standard base.

Cabling and pin location: Two 12 pin DEUTSCH DTM04 connectors



kwa1454870808461

**Standard, 12 pin A pinout**

DEUTSCH DTM04 12 PIN	PVE Standard	CANalog	CAN+	Analog Cat 1	Analog Cat 3
1	GND	GND	GND	GND	GND_ANA1
2	PWR	PWR	PWR	PWR_ANA	PWR_ANA1 (+5V only)
3	CAN high	CAN high	CAN high	Y1 (Prop 1)	Y1 (Prop 1)
4	CAN low	CAN low	CAN low	X1 (Prop 2)	X1 (Prop 2)
5	CAN shield	CAN shield	CAN shield	Analog 3A	Analog 3A
6	Proportional Y	NC	NC	Analog 4A	Analog 4A
7	Proportional X	Grip analog 3a	A/D 1	Button 1	Button 1
8	Proportional 3	Grip analog 3b	A/D 2	Button 2	Button 2
9	Push 7	Reference ground	Sensor ground	Button 3	Button 3
10	Push 8	5V reference	Sensor power	Button 4	Button 4
11	PVE power (neutral switch)	Grip analog 1a	A/D 3	PWR_ANA	PWR_ANA2 (+5V Only)
12	PVE power feedback	Grip analog 1b	A/D	GND	GND_ANA2

**Standard, 12 pin B pinout**

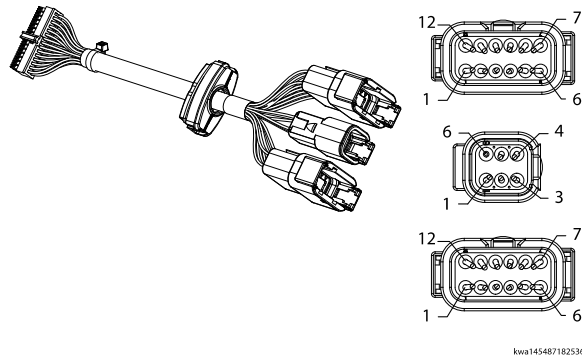
DEUTSCH DTM04 12 PIN	PVE Standard	CANalog	CAN+	Analog Cat 1	Analog Cat 3
1	Direction Ya	NC	Digital input 7	NC	NC
2	Direction Yb	NC	NC	NC	NC
3	Direction Xa	NC	NC	Y2	Y2
4	Direction Xb	NC	NC	X2	X2
5	Push 1	NC	NC	Analog 3B	Analog 3B
6	Push 2	NC	NC	Analog 4B	Analog 4B
7	Proportional 4	Grip analog 2a	Digital input 1	Button 5	Button 5
8	Push 3	Grip analog 2b	Digital input 2	Button 6	Button 6
9	Push 4	Y1	Digital input 3	Button 7	Button 7
10	Proportional 5	X1	Digital input 4	Button 8 / OPS	Button 8 / OPS
11	Direction 5a	Y2	Digital input 5	Analog 5A	Analog 5A
12	Direction 5b	X2	Digital input 6	Analog 5B	Analog 5B



**Connector options and cabling**
**Two 12 pin and one 6 pin connectors**

Used only on PVE Extended base.

Cabling and pin location: Two 12 pin and one 6 pin DEUTSCH DTM04 connectors



Extended, 12 pin A pinout

DEUTSCH DTM04 12 PIN	PVE	Analog Cat 1	Analog Cat 3
1	Ground	GND	GND_ANA1
2	Power	PWR_ANA	PWR_ANA1 (+5V only)
3	CAN high	Y1 (Prop 1)	Y1 (Prop 1)
4	CAN low	X1 (Prop 2)	X1 (Prop 2)
5	CAN shield	Analog 3A	Analog 3A
6	Proportional Y	Analog 4A	Analog 4A
7	Proportional X	Button 1	Button 1
8	Proportional 3	Button 2	Button 2
9	Push 7	Button 3	Button 3
10	Push 8	Button 4	Button 4
11	PVE power (neutral switch)	PWR_ANA	PWR_ANA2 (+5V Only)
12	PVE power feedback	GND	GND_ANA2

Extended, 12 pin B pinout

DEUTSCH DTM04 12 PIN	PVE Standard	Analog Cat 1	Analog Cat 3
1	Direction Ya	NC	NC
2	Direction Yb	NC	NC
3	Direction Xa	Y2	Y2
4	Direction Xb	X2	X2
5	Push 1	Analog 3B	Analog 3B
6	Push 2	Analog 4B	Analog 4B
7	Proportional 4	Button 5	Button 5
8	Push 3	Button 6	Button 6
9	Push 4	Button 7	Button 7
10	Proportional 5	Button 8 / OPS	Button 8 / OPS
11	Direction 5a	Analog 5A	Analog 5A
12	Direction 5b	Analog 5B	Analog 5B

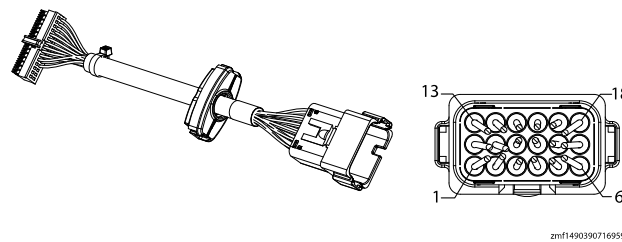
Technical Information  
**JS1 Heavy Duty Joysticks**
**Connector options and cabling**
*Extended, 6 pin pinout*

DEUTSCH DTM04 6-pin	PVE	Analog Cat 1	Analog Cat 3
1	Power	Button 9	Button 9
2	Push 9	Button 10	Button 10
3	Push 10	Button 11	Button 11
4	Push 11	Button 12	Button 12
5	Push 12	open	open
6	NC	NC	NC

**One 18 pin connector**

Used only on CAN+ or CANalog base.

Cabling and pin location: One 18 pin DEUTSCH connector (DT16-18SB-K004)

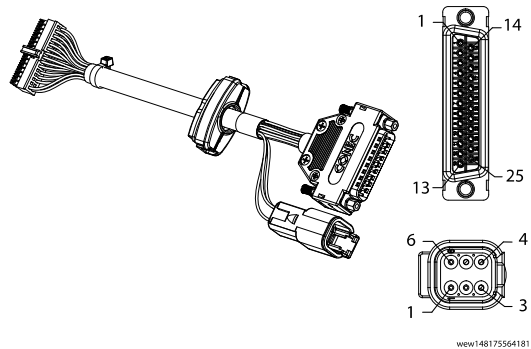

*18 pin pinout*

DEUTSCH 18 pin	CAN+ function	CANalog function
1	Ground	Ground
2	Power	Power
3	CAN Hi	CAN Hi
4	CAN Lo	CAN Lo
5	CAN Shield	CAN Shield
6	Digital input 7	Not connected
7	Vref ground	Reference ground
8	Vref +5V	Reference +5V
9	Analog in 1	Grip analog 3a
10	Analog in 2	Grip analog 3b
11	Analog in 3	Grip analog 1a
12	Analog in 4	Grip analog 2a
13	Digital input 1	Grip analog 1b
14	Digital input 2	Grip analog 2b
15	Digital input 3	Proportional Y-axis 1
16	Digital input 4	Proportional X-axis 1
17	Digital input 5	Proportional Y-axis 2
18	Digital input 6	Proportional X-axis 2

Technical Information  
**JS1 Heavy Duty Joysticks**
**Connector options and cabling**
**One 25 pin SUB-D and one 6 pin connectors**

Used only on PVE base.

Cabling and pin location: One 25 pin SUB-D and one 6 pin DEUTSCH DTM04 connectors; Code number: 11173403-T



25 pin SUB-D pinout

25 pin SUB-D	Function
1	PVE power (neutral switch)
2	PVE power (neutral switch)
3	Power
4	Direction 5a
5	Proportional 3
6	Direction 3a/Push 1/
7	Proportional Y
8	Proportional X
9	Direction Ya
10	PVE Power feedback
11	Direction Xb
12	Push 8
13	Push 7
14	PVE power (neutral switch)
15	Power
16	Power
17	Direction 5b
18	Proportional 4
19	Direction 3b/Push 2/
20	Direction 4a/Push 3/
21	Direction 4a/Push 4/
22	Ground
23	Direction Yb
24	Direction Ya
25	NC

**Connector options and cabling**
*6 pin DEUTSCH DTM04 pinout*

6 pin DEUTSCH DTM04	Function
1	NC
2	NC
3	CAN high
4	CAN low
5	CAN shield
6	NC

**Mating connectors bag assemblies**

(Must be ordered separately from joystick.)

*Danfoss connector bag assemblies part numbers*

Description	Danfoss part number
One 6 pin DEUTSCH connector	10101551
Two 6 pin DEUTSCH connectors	11177980
Two 12 pin DEUTSCH connectors (GRY/BLK)	10100945
Two 12 pin and One 6 pin DEUTSCH connectors (GRY/BLK)	11176538

*DEUTSCH mating connector bag assemblies contents*

Description	6 pin module	12 pin module (GRY)	12 pin module (BLK)
Crimp tool	HDT-48-00	HDT-48-00	HDT-48-00
Contacts	0462-201-2031	0462-201-2031	0462-201-2031
Connector plug	DTM06-6S,GRY	DTM06-12SA, GRY	DTM06-12SB, BLK
Wedge	WM-6S	WM-12S	WM-12S
Strip length	3.96 to 5.54 mm (0.156 to 0.218 in)	3.96 to 5.54 mm (0.156 to 0.218 in)	3.96 to 5.54 mm (0.156 to 0.218 in)
Rear seal maximum insulation OD	3.05 mm (0.120 in)	3.05 mm (0.120 in)	3.05 mm (0.120 in)
Sealing plugs	0413-204-2005	0413-204-2005	0413-204-2005

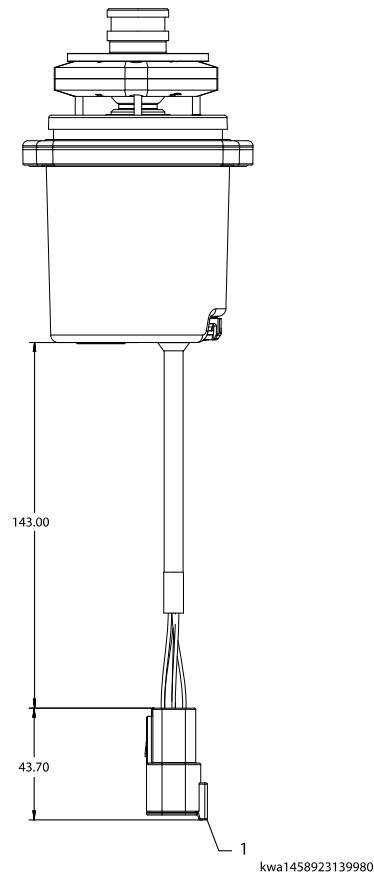
Technical Information  
**JS1 Heavy Duty Joysticks**

**Connector options and cabling**

**Cable assemblies**

All cable assemblies for JS1-H are 185 mm from the bottom of the case to the end of the connector.

*JS1-H cable length in millimeters*



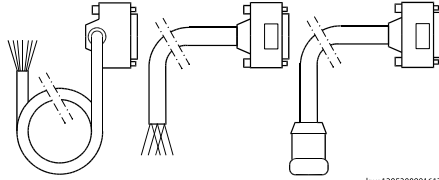
**1.** DEUTSCH DTM04 receptacle

*Compatible mating cables available for different applications*

Code no. 162B....	Length mm	Plug type	Type
6013	4000	Leads	Vertical SUB-D
6014	4000	Leads	Horizontal SUB-D
6015	500	Clipper	–
6016	230	TRIM TRIO	–
6017	230	Tabs	PVRE compatibility

**Connector options and cabling**

*Cable assemblies - first is vertical view, followed by horizontal views*



kwat1385306991617

Technical Information  
**JS1 Heavy Duty Joysticks**


---

**Product configuration model code**

The product configuration model code specifies particular features when ordering the JS1-H. The model code begins with the product family name and the remaining fields are filled in to configure the product with the desired features.

**JS1-H base and grip model code fields**

The configuration model code contains information relating to both base and grip features.

*JS1-H Joystick product configuration model code*

	Base					Grip														Common					
A	B	C	D	E	F1	F2	G	H1	H2	H3	H4	H5	H6	H7	H8	H9	H10	H11	H12	J1	J2	J3	J4	K	
JS1H																									

Technical Information  
**JS1 Heavy Duty Joysticks**
**Product configuration model code**
**JS1-H Base model code**
*JS1-H Joystick product configuration model code*

A	Base					Grip															Common					
	B	C	D	E	F1	F2		G	H1	H2	H3	H4	H5	H6	H7	H8	H9	H10	H11	H12	J1	J2	J3	J4	K	
JS1H																										

**A—Product family**

Code	Description
JS1H	Family name

**B—Operational axis**

Code	Description
NN	No base
XY	Bi-directional: X and Y-axis
NY	Uni-directional: Only Y-axis
XN	Uni-directional: Only X-axis
NF	Single Axis: Frictional Y-axis

**C—Shaft position, sensing output**

Code	Description
NNN	No base
NN2	No base, no connectors on wires
CJP	CAN J1939 with potentiometer
CJH	CAN J1939 with Hall effect
CPP	CANopen with potentiometer
CPH	CANopen with Hall effect
CSP	CAN Analog, J1939 with potentiometer
CSH	CAN Analog, J1939 with Hall effect
CTP	CAN Analog, Open with potentiometer
CTH	CAN Analog, Open with Hall effect
CLP	CAN+ J1939 with potentiometer
CLH	CAN+ J1939 with Hall effect
CMP	CAN+ Open with potentiometer
CMH	CAN+ Open with Hall effect
PSP	PVE Standard base with potentiometer
PSH	PVE Standard base with Hall effect
PEH	PVE Extended base with Hall effect
PBH	Analog Category 1 with Hall effect
PRH	PRH Analog Category 3 with Hall effect

**D—Centering spring**

Code	Description
N	No base
S	Standard spring force



Technical Information  
**JS1 Heavy Duty Joysticks**


---

**Product configuration model code**

Code	Description
H	Heavy spring force
A	Friction 0.8 Nm, Center 1.5 Nm
B	Friction 0.8 Nm, Center 2.0 Nm
C	Friction 1.6 Nm, Center 3.0 Nm

**E—CAN**

Code	Description
NNN	Analog (base and/or grip)
C10	Node ID 10, 250kbs
C13	Node ID 13, 250kbs
C16	Node ID 16, 250kbs
C33	Note ID 33, 250kbs
C34	Note ID 34, 250kbs
C35	Note ID 35, 250kbs
C36	Note ID 36, 250kbs
D90	Node ID 90, 500kbs
D93	Node ID 93, 500kbs
D96	Node ID 96, 500kbs
D9C	Node ID 9C, 500kbs
C90	Node ID 90, 250kbs
C93	Node ID 93, 250kbs
C96	Node ID 96, 250kbs
C9C	Node ID 9C, 250kbs
B10	Node ID 10, 125kbs
B13	Node ID 13, 125kbs
B16	Node ID 16, 125kbs
B1C	Node ID 1C, 125kbs
C1C	Node ID 1C, 250kbs
C71	Replace of NodeID: N71
C72	Replace of NodeID: N72

**F1—Mounting**

Code	Description
N	No base
T	Top mount

Technical Information  
**JS1 Heavy Duty Joysticks**
**Product configuration model code**
**Grip model code**
*JS1-H Joystick product configuration model code*

	Base					Grip																Common				
A	B	C	D	E	F1	F2	G	H1	H2	H3	H4	H5	H6	H7	H8	H9	H10	H11	H12	J1	J2	J3	J4	K		
JS1H																										

*F2—Grip type*

Code	Description
HR1	Horizontal grip
HP1	IP 66 version of HR1
ST2	Medium straight grip
SP2	IP 66 version of ST2
PR2	Prof1 version 2 grip
PP2	IP 66 version of PR2
ST7	Large straight grip
SP7	IP 66 version of ST7
PR7	Professional JS7000 grip
PP7	IP 66 version PR7

Select the grip that meets the needs of your application.

*G—Left or right hand or ambidextrous*

Code	Description
L	Left hand grip
R	Right hand grip
U	Ambidextrous grip (accommodates left and right hand)

Select the grip that meets the needs of your application.

*H1—Defining of front plate*

Code	Description
N	No button
B	Black push button
R	Red push button
Y	Yellow push button
G	Gray push button
L	Green push button
W	Blue push button
H	White push button
1	Yellow push button - Dome Shape
2	Black push button - Dome Shape
3	Green push button - Dome Shape
4	Red push button - Dome Shape
5	Blue push button - Dome Shape
6	White push button - Dome Shape
P	Roller, [position 1-2]
S	Roller v-Lead, [position 1-2]

**Product configuration model code**
*H1—Defining of front plate (continued)*

Code	Description
V	IP 66 Roller, [position 1-2]
F	FNR [Black], [position 1-2]
T	Toggle [Rocker], [position 1-2]
K	FNR [Red], [position 1-2]

*H2—Defining of front plate*

Code	Description
N	No button
B	Black push button
R	Red push button
Y	Yellow push button
G	Gray push button
L	Green push button
W	Blue push button
H	White push button
1	Yellow push button - Dome Shape
2	Black push button - Dome Shape
3	Green push button - Dome Shape
4	Red push button - Dome Shape
5	Blue push button - Dome Shape
6	White push button - Dome Shape
P	Roller, [position 2-3]
S	Roller v-Lead, [position 2-3]
V	IP 66 Roller, [position 2-3]
F	FNR [Black], [position 2-3]
T	Toggle [Black], [position 2-3]
K	FNR [Red], [position 2-3]
+	Customer Refer to ST2 <a href="#">Faceplate options</a> on page 14 and ST7 <a href="#">Faceplate options</a> on page 21

*H3—Defining of front plate*

Code	Description
N	No button
B	Black push button
R	Red push button
Y	Yellow push button
G	Gray push button
L	Green push button
W	Blue push button
H	White push button
1	Yellow push button - Dome Shape
2	Black push button - Dome Shape
3	Green push button - Dome Shape

**Product configuration model code**
*H3—Defining of front plate (continued)*

Code	Description
4	Red push button - Dome Shape
5	Blue push button - Dome Shape
6	White push button - Dome Shape
P	Roller, [position 3-4]
S	Roller v-Lead, [position 3-4]
V	IP 66 Roller, [position 3-4]
F	FNR [Black], [position 3-4]
T	Toggle [Black], [position 3-4]
K	FNR [Red], [position 3-4]
+	Customer Refer to ST2 <a href="#">Faceplate options</a> on page 14 and ST7 <a href="#">Faceplate options</a> on page 21

*H4—Defining of front plate*

Code	Description
N	No button
B	Black push button
R	Red push button
Y	Yellow push button
G	Gray push button
L	Green push button
W	Blue push button
H	White push button
1	Yellow push button - Dome Shape
2	Black push button - Dome Shape
3	Green push button - Dome Shape
4	Red push button - Dome Shape
5	Blue push button - Dome Shape
6	White push button - Dome Shape
P	Roller, [position 4-1]
S	Roller v-Lead, [position 4-1]
V	IP 66 Roller, [position 4-1]
F	FNR [Black], [position 4-1]
T	Toggle [Black], [position 4-1]
K	FNR [Red], [position 4-1]
+	Customer Refer to ST2 <a href="#">Faceplate options</a> on page 14 and ST7 <a href="#">Faceplate options</a> on page 21

*H5—Defining of front plate*

Code	Description
N	No button
B	Black push button
R	Red push button

**Product configuration model code**
*H5—Defining of front plate (continued)*

Code	Description
Y	Yellow push button
G	Gray push button
L	Green push button
W	Blue push button
H	White push button
1	Yellow push button - Dome Shape
2	Black push button - Dome Shape
3	Green push button - Dome Shape
4	Red push button - Dome Shape
5	Blue push button - Dome Shape
6	White push button - Dome Shape
+	Customer Refer to ST2 <a href="#">Faceplate options</a> on page 14 and ST7 <a href="#">Faceplate options</a> on page 21

*H6—Defining grip side*

Code	Description
N	No button
B	Black push button
R	Red push button
Y	Yellow push button
G	Gray push button
L	Green push button
W	Blue push button
H	White push button
1	Yellow push button - Dome Shape
2	Black push button - Dome Shape
3	Green push button - Dome Shape
4	Red push button - Dome Shape
5	Blue push button - Dome Shape
6	White push button - Dome Shape
U	Roller, [position 6-12]
Q	Roller v-Lead, [position 6-12]
V	IP 66 Roller, [position 6-12]
F	FNR [Black], [position 6-12]
T	Toggle [Black], [position 6-12]
K	FNR [Red], [position 6-12]
+	Customer Refer to ST2 <a href="#">Faceplate options</a> on page 14 and ST7 <a href="#">Faceplate options</a> on page 21

**Product configuration model code**
*H7—Defining grip side*

Code	Description
N	No button
B	Black push button
R	Red push button
Y	Yellow push button
G	Gray push button
L	Green push button
W	Blue push button
H	White push button
1	Yellow push button - Dome Shape
2	Black push button - Dome Shape
3	Green push button - Dome Shape
4	Red push button - Dome Shape
5	Blue push button - Dome Shape
6	White push button - Dome Shape
D	Square Push Button - Operator Presence Switch
O	Operator Presence Switch (PR2 and PP2 grips only)
U	Roller, [position 7-8]
Q	Roller v-Lead, [position 7-8]
V	IP 66 Roller, [position 7-8]

*H8—Defining grip side*

Code	Description
N	No button
B	Black push button
R	Red push button
Y	Yellow push button
G	Gray push button
L	Green push button
W	Blue push button
H	White push button
1	Yellow push button - Dome Shape
2	Black push button - Dome Shape
3	Green push button - Dome Shape
4	Red push button - Dome Shape
5	Blue push button - Dome Shape
6	White push button - Dome Shape
D	Square push button - Operator Presence Switch
O	Operator Presence Switch (ST7, SP7, ST2, SP2, HR1, and HP1 grips only)

*H9—Defining of back side*

Code	Description
N	No button
B	Black push button
R	Red push button

**Product configuration model code**
*H9—Defining of back side (continued)*

Code	Description
Y	Yellow push button
G	Gray push button
L	Green push button
W	Blue push button
H	White push button
1	Yellow push button - Dome Shape
2	Black push button - Dome Shape
3	Green push button - Dome Shape
4	Red push button - Dome Shape
5	Blue push button - Dome Shape
6	White push button - Dome Shape
K	FNR [Red], [position 9-10]

*H10—Defining grip side*

Code	Description
N	No button
B	Black push button
R	Red push button
Y	Yellow push button
G	Gray push button
L	Green push button
W	Blue push button
H	White push button
1	Yellow push button - Dome Shape
2	Black push button - Dome Shape
3	Green push button - Dome Shape
4	Red push button - Dome Shape
5	Blue push button - Dome Shape
6	White push button - Dome Shape
F	FNR [Black], [position 10-11]

*H11—Defining grip side*

Code	Description
N	No button
B	Black push button
R	Red push button
Y	Yellow push button
G	Gray push button
L	Green push button
W	Blue push button
H	White push button
1	Yellow push button - Dome Shape
2	Black push button - Dome Shape
3	Green push button - Dome Shape

**Product configuration model code**
*H11—Defining grip side (continued)*

Code	Description
4	Red push button - Dome Shape
5	Blue push button - Dome Shape
6	White push button - Dome Shape

*H12—Defining grip side*

Code	Description
N	No button
B	Black push button
R	Red push button
Y	Yellow push button
G	Gray push button
L	Green push button
W	Blue push button
H	White push button
1	Yellow push button - Dome Shape
2	Black push button - Dome Shape
3	Green push button - Dome Shape
4	Red push button - Dome Shape
5	Blue push button - Dome Shape
6	White push button - Dome Shape
K	FNR [Red], [position 12]

*J1—Grip color*

Code	Description
N	No grip
G	HR1 and PR7 grip
B	ST2, ST7 and PR2 grip

*J2—Color band*

Code	Description
N	No color band
Y	Yellow color band
B	Black color band
R	Red color band

**Related reference**



Technical Information  
**JS1 Heavy Duty Joysticks**
**Product configuration model code**
**Common model code**
*JS1-H Joystick product configuration model code*

A	Base					Grip																Common			
	B	C	D	E	F1	F2	G	H1	H2	H3	H4	H5	H6	H7	H8	H9	H10	H11	H12	J1	J2	J3	J4	K	
JS1H																									

**J3—Cable**

Code	Description
N	No cable
G	CAN cable with 1 x 6 pin DEUTSCH connector
H	CAN cable with 2 x 6 pin DEUTSCH connector
J	CANalog cable with 18 pin DEUTSCH connector
L	PVE cable with 12+12+6 pin DEUTSCH connector
K	PVE cable with 12+12 pin DEUTSCH connector
T	PVE cable with SUB-D 25 + 6 pin DEUTSCH connector
Q	CAN+ cable with 18 pin DEUTSCH connector

**J4—Kit and extension cable**

Code	Description
N	No kit
B	Adapter Plate for JS7000
C	JS6000 bottom mount adapter

**K—Software or settings**

Code	Description
NN	No software or settings

## Product installation

### Joystick safety critical functions

---

For a system to operate safely it must be able to differentiate between commanded and uncommanded inputs. Take steps to detect and manage joystick and system failures that may cause an erroneous output.

For safety critical functions Danfoss recommends you use an independent momentary action system enable switch. You can incorporate this switch into the joystick as an operator presence switch or can be a separate foot or hand operated momentary switch. Disable all joystick functions that the joystick controls when this switch is released.

Ensure the control system looks for the appropriate system enable switch input before the joystick is displaced from its neutral position. Enable functions only after receiving this input.

Applications using CAN joysticks should continuously monitor for the presence of the CAN messages on periodic basis. Messages are to be checked frequently enough for the system or operator to react if the CAN messages lose priority or are no longer received.

---

### Machine wiring guidelines

#### **W** Warning

---

Unintended movement of the machine or mechanism may cause injury to the technician or bystanders. Improperly protected power input lines against over current conditions may cause damage to the hardware. Properly protect all power input lines against over-current conditions. To protect against unintended movement, secure the machine.

---

#### **C** Caution

---

Unused pins on mating connectors may cause intermittent product performance or premature failure. Plug all pins on mating connectors.

---

- Protect wires from mechanical abuse, run wires in flexible metal or plastic conduits.
- Use 85° C (185° F) wire with abrasion resistant insulation and 105° C (221° F) wire should be considered near hot surfaces.
- Use a wire size that is appropriate for the module connector.
- Separate high current wires such as solenoids, lights, alternators or fuel pumps from sensor and other noise-sensitive input wires.
- Run wires along the inside of, or close to, metal machine surfaces where possible, this simulates a shield which will minimize the effects of EMI/RFI radiation.
- Do not run wires near sharp metal corners, consider running wires through a grommet when rounding a corner.
- Do not run wires near hot machine members.
- Provide strain relief for all wires.
- Avoid running wires near moving or vibrating components.
- Avoid long, unsupported wire spans.
- Ground electronic modules to a dedicated conductor of sufficient size that is connected to the battery (-).
- Power the sensors and valve drive circuits by their dedicated wired power sources and ground returns.
- Twist sensor lines about one turn every 10 cm (4 in).
- Use wire harness anchors that will allow wires to float with respect to the machine rather than rigid anchors.

**Appendix: CAN J1939 protocol**

*Joysticks CAN J1939 protocol option* on page 68

*SAE J1939 basic joystick message* on page 69

*SAE J1939 extended joystick message* on page 74

*SAE J1939 error (DM1) messages* on page 76

**Appendix: CAN J1939 protocol**

**Joysticks CAN J1939 protocol option**

Joysticks CAN J1939 protocol option designated as model code CAN and broadcast two J1939 messages to communicate the device information. The two messages are:

- Basic Joystick Message 1 (BJM1)
- Extended Joystick Message (EJM1)

**Appendix: CAN J1939 protocol**
**SAE J1939 basic joystick message**

The JS1-H joystick uses the SAE J1939 basic joystick message to transfer information about the measured status of the X-axis and Y-axis of a joystick, the state of the switches on the joystick grip, and the state of external to the joystick digital inputs.

*Basic joystick message structure*

Basic message number	Priority	Base parameter Group number (PGN)		Protocol Data Unit (PDU) format		PDU specific		Source address		Data field
		Dec	hex	Dec	hex	Dec	hex	Dec	hex	
1	3	64982	FDD6	253	FD	214	D6	*	*	8 bytes
3	3	64986	FDDA	253	FD	218	DA	*	*	8 bytes

\* Depends on position specified in master model code.

- Message transmission rate: 20 ms
- CAN bus baud rate: 250kbps

The resulting SAE J1939 basic joystick message PGN on the CAN bus is:

0xCFDD6\_\*\_\* or 0xCFDDA\_\*\_\*

\* = joystick source address (hex)

**Data field**

The data field contains the joystick's output information. SAE J1939 data fields contain 8 bytes of data.

*Information in the data field*

Byte#	0								1								2 and so on							
Bit#	1	2	3	4	5	6	7	8	1	2	3	4	5	6	7	8	1	2	3	4	5	6	7	8

**Appendix: CAN J1939 protocol**
**JS1-H Basic joystick message data field descriptions**
*Basic joystick message parameters and data field locations*

Start position (byte/bit)	Length (bits)	Parameter name
0/1	2	Joystick X-axis neutral position status
0/3	2	Joystick X-axis lever left negative position status
0/5	2	Joystick X-axis lever right positive position status
0/7 through 1/1-8	10	Joystick X-axis position (Byte 0 Bit 7 is LSB. Byte 1 Bit 8 is MSB)
2/1	2	Joystick Y-axis neutral position status
2/3	2	Joystick Y-axis lever back negative position
2/5	2	Joystick Y-axis lever forward positive position
2/7 through 3/1-8	10	Joystick Y-axis position (Byte 2 Bit 7 is LSB. Byte 3 Bit 8 is MSB)
4/5	2	Joystick Y-axis detent position status
4/7	2	Joystick X-axis detent position status
5/1	2	Grip button 4 pressed status
5/3	2	Grip button 3 pressed status
5/5	2	Grip button 2 pressed status
5/7	2	Grip button 1 pressed status
6/1	2	Grip button 8 pressed status
6/3	2	Grip button 7 pressed status
6/5	2	Grip button 6 pressed status
6/7	2	Grip button 5 pressed status
7/1	2	Grip button 12 pressed status
7/3	2	Grip button 11 pressed status
7/5	2	Grip button 10 presses status
7/7	2	Grip button 9 pressed status

*Data field example 1*

<b>Byte</b>	0							
<b>Bit</b>	8	7	6	5	4	3	2	1
	The 2 LSB* of X-axis position status		X-axis lever right positive status		X-axis lever left negative position status		X-axis neutral position status	

\* Least Significant Bit.

*Data field example 2*

<b>Byte</b>	1							
<b>Bit</b>	8	7	6	5	4	3	2	1
	MSB* X-axis position							

\* Most Significant Bit.

**Appendix: CAN J1939 protocol**
*Data field example 3*

<b>Byte</b>	2							
<b>Bit</b>	8	7	6	5	4	3	2	1
	The 2 LSB* of X-axis position status		X-axis lever forward positive status		Y-axis lever back negative position status		Y-axis neutral position status	

\* Least Significant Bit.

***Joystick X-axis neutral position status***

Reports when the current joystick position is in the neutral position for the X-axis of travel.

*Information in the data field*

Bit status	Remarks
00	Not in neutral position
01	In neutral position
10	Error indicator
11	Not available

***Joystick X-axis handle left negative position status***

Reports when the current joystick position is on the negative travel side (back, left, counterclockwise, down) relative to the neutral position for the X-axis.

*Information in the Data Field*

Bit status	Remarks
00	Not on negative side of neutral
01	On negative side of neutral
10	Error indicator
11	Not available

***Joystick X-axis handle right positive position status***

Reports when the current joystick position is on the positive travel side (forward, right, clockwise, up) relative to the neutral position for the X-axis.

*Information in the data field*

Bit status	Remarks
00	Not on positive side of neutral
01	On positive side of neutral
10	Error indicator
11	Not available

***Joystick X-axis position status***

This is the position of the joystick in the relative motion of travel from the neutral position. The position value of 0 is always neutral. The output range of the joystick handle at the end of travel is factory set according to the option specified in the electrical interface options section of the master model code.

The master model code specifies that the full-scale output at the end of each linear zone will be 1000 counts.

**Appendix: CAN J1939 protocol**
**W Warning**

Potential uncommanded machine movement. Per the SAE J1939-71 standard:

- if the joystick internal diagnostics detect a shaft position measurement error, the joystick output will be set to a value of 1022 counts regardless of shaft position.
- if a specific joystick axis is not available, the basic joystick message for the unavailable axis will indicate an output value of 1023 counts.

Ensure application software recognizes these conditions to avoid the possibility of unintended machine motion.

**Joystick Y-axis neutral position status**

Reports when the current joystick position is in the neutral position for the Y-axis of travel.

Information in the data field

Bit status	Remarks
00	Not in neutral position
01	In neutral position
10	Error indicator
11	Not available

**Joystick Y-axis handle back negative position status**

Reports when the current joystick position is on the negative travel side (back, left, counterclockwise, down) relative to the neutral position for the Y-axis.

Information in the data field

Bit status	Remarks
00	Not on negative side of neutral
01	On negative side of neutral
10	Error indicator
11	Not available

**Joystick Y-axis handle forward positive position status**

Reports when the current joystick position is on the positive travel side (forward, right, clockwise, up) relative to the neutral position for the Y-axis.

Information in the data field

Bit status	Remarks
00	Not on positive side of neutral
01	On positive side of neutral
10	Error indicator
11	Not available

**Joystick Y-axis position status**

This is the position of the joystick in the relative motion of travel from the neutral position. The position value of 0 is always neutral. The output range of the joystick handle at the end of travel is factory set according to the option specified in the electrical interface options section of the master model code.



**Appendix: CAN J1939 protocol**

---

The master model code specifies that the full-scale output at the end of each linear zone will be 1000 counts.

---

**W Warning**

---

Potential uncommanded machine movement. Per the SAE J1939-71 standard:

- if the joystick internal diagnostics detect a shaft position measurement error, the joystick output will be set to a value of 1022 counts regardless of shaft position.
- if a specific joystick axis is not available, the basic joystick message for the unavailable axis will indicate an output value of 1023 counts.

Ensure application software recognizes these conditions to avoid the possibility of unintended machine motion.

---

**Joystick button 1-8 pressed status**

*Joystick button 1-8 pressed status*

Bit status	Remarks
00	Button not pressed
01	Button pressed
10	Error indicator
11	Not available (no button installed)

**Appendix: CAN J1939 protocol**
**SAE J1939 extended joystick message**

The JS1-H joystick uses the SAE J1939 extended joystick message to transfer information about the measured status of up to 3 additional proportional input functions on the joystick grip, and external-to-the-joystick analog inputs. The joystick base X and Y-axis information is available in the basic joystick message.

*Extended joystick message structure*

Message number	Priority	Base PGN		PDU format		PDU specific		Source address		Data field
		Dec	hex	Dec	hex	Dec	hex	Dec	hex	
1	3	64983	FDD7	253	FD	215	D7	The source address depends on position specified in master model code.		8 bytes
3	3	64987	Fddb	253	FD	219	DB	The source address depends on position specified in master model code.		8 bytes

Message transmission rate: 20 ms

CAN bus baud rate: 250kbps

The resulting SAE J1939 extended joystick message PGN on the CAN bus is:

0xCFDD7 \* \_ \* or 0xCFddb \* \_ \*

\* = joystick source address (hex)

**Extended joystick message parameters and data field descriptions**
*Extended joystick message parameters and data field locations*

Start position (Byte/Bit)	Length (Bits)	Parameter name
0/1	2	Grip X-axis neutral position status
0/3	2	Grip X-axis lever left negative position status
0/5	2	Grip X-axis lever right positive position status
0/7 through 1/1-8	10	Grip X-axis position
2/1	2	Grip Y-axis neutral position status
2/3	2	Grip Y-axis lever back negative position
2/5	2	Grip Y-axis lever forward positive position
2/7 through 3/1-8	10	Grip Y-axis position
6/5	2	Grip Y-axis detent position status-not available
6/7	2	Grip X-axis detent position status-not available

Data field descriptions and output ranges for extended joystick messages are similar to those for base X-axis and Y-axis basic joystick messages.

*Grip proportional input naming convention*

Proportional input location	Extended joystick message designation
Horizontal orientation, top	X-axis
Horizontal orientation, bottom	Y-axis

**Appendix: CAN J1939 protocol**

*Grip proportional input naming convention (continued)*

<b>Proportional input location</b>	<b>Extended joystick message designation</b>
Vertical orientation, left side	X-axis
Vertical orientation, right side	Y-axis

**Appendix: CAN J1939 protocol**
**SAE J1939 error (DM1) messages**

SAE J1939 DM1 error messages are supported. Suspect Parameter Number (SPN) and Failure Mode Identifier (FMI) information are in the following tables.

*Failure: Voltage too high*

Message	Axis	SPN	FMI
BJM1	X	2660	3
BJM1	Y	2661	3
BJM1	Grip X	2662	3
BJM1	Grip Y	2663	3
BJM1	Grip Theta	2664	3

*Failure: Voltage too low*

Message	Axis	SPN	FMI
BJM1	X	2660	4
BJM1	Y	2661	4
BJM1	Grip X	2662	4
BJM1	Grip Y	2663	4
BJM1	Grip Theta	2664	4

*Failure: Input not calibrated*

Message	Axis	SPN	FMI
BJM1	X	2660	13
BJM1	Y	2661	13
BJM1	Grip X	2662	13
BJM1	Grip Y	2663	13
BJM1	Grip Theta	2664	13

*Failure: Redundant input failure*

Message	Axis	SPN	FMI
BJM1	X	2660	14
BJM1	Y	2661	14
BJM1	Grip X	2662	14
BJM1	Grip Y	2663	14
BJM1	Grip Theta	2664	14

SAE J1939 dynamic addressing is not supported, since the joystick source addresses are hard-coded (static). However, there is SAE J1939 address claiming protocol compliance. In the unlikely event another node on the SAE J1939 bus claims an identical source address to the joystick, the joystick may cease communication on the bus, depending on the message priority on the other node.

---

**Appendix: CAN+ and CANopen protocol**

*CANopen Object Dictionary for JS1-H joysticks* on page 78

*Parameter/variable index - JS1-H CAN, JS1-H CANalog* on page 79

*Parameter/variable index - JS1-H CAN+* on page 91

*Error handling* on page 103

## Appendix: CAN+ and CANopen protocol

### CANopen Object Dictionary for JS1-H joysticks

To access the CANopen Object Dictionary go to <http://www.powersolutions.danfoss.com/products/electronic-components/Joysticks/>, then under Download find CANopen EDS under the JS1-H.

In order to access an Entry within an Object, the Service Data Object (SDO) is used. The Initiate SDO Download/Upload protocol and the Upload SDO Segment protocol (used when data type is VISIBLE\_STRING) are supported. Each Object has an Index and a Name. For each Entry within an Object there is a Sub-Index followed by a Name and a Description (if applicable).

The different Data types of an Entry can be as follows:

- U32 (UNSIGNED32), U16 (UNSIGNED16) or U8 (UNSIGNED8)
- S32 (INTEGER32), S16 (INTEGER16) or S8 (INTEGER8)
- STR (VISIBLE\_STRING)
- NEUTRAL\_STATE (2 bit state value)

The Access of an Entry can be as follows:

- ro (Read Only)
- rw (Read Write)
- wo (Write Only)
- const

The minimum and maximum value of an Entry is also specified where applicable. This does not mean that there is a check within the joystick that the written value is within the value range, for example, the User is responsible to write a value within the value range. It should also be observed that the Default value of an Entry may not be true for all applications. The Unit/Scale gives either the unit of the value and/or the scaling used where applicable.

### CANopen Baud Rate and Node ID setting

Baud rate and Node ID may be set using the Danfoss PLUS+1<sup>®</sup> Service Tool. Additionally, the parameters can be set using the CANopen LSS protocol.

CiA<sup>®</sup> 305: Layer Setting Services (LSS)

LSS distinguishes between an LSS master (typically residing in the host controller) and the LSS slaves. LSS enables the LSS master to modify the LSS slaves' CANopen node-ID and to switch the entire network from one data rate to another. LSS utilizes exactly two CAN frames. The CAN data frame 7E5h carries the command from the LSS master to one or several LSS slaves. The CAN frame 7E4h is used to provide the response(s) to the LSS master. LSS is specified in the document CiA 305.

Technical Information

**JS1 Heavy Duty Joysticks**
**Appendix: CAN+ and CANopen protocol**
**Parameter/variable index - JS1-H CAN, JS1-H CANalog**
*40h Device type*

Sub-index	Name	Description	Data type	Access	Minimum	Maximum	Default	Unit/Scale
0	NEUTRAL_ST ATE	2-bit Proportional Axis (Neutral State) data type. 0x00 = Neutral 0x01 = Out Of Neutral 0x02 = Error 0x03 = Not Available	U32	ro	-	-	-	-

*1000h Device type*

Sub-index	Name	Description	Data type	Access	Minimum	Maximum	Default	Unit/Scale
0	Device Type	01050191h: Joystick without digital outputs	U32	const	-	-	See description	-

*1001h Device register*

Sub-index	Name	Description	Data type	Access	Minimum	Maximum	Default	Unit/Scale
0	Error Register	Bit 0 (Generic): 1 in case of an unknown error Bit 1 (Current): Always zero Bit 2 (Voltage): 1 in case of a voltage to high or low Bit 3 (Temperature): Always zero Bit 4 (Communication Error): Always zero Bit 5 (Device Profile Specific): Always zero Bit 6 (Reserved): Always zero Bit 7 (Manufacture-Specific): 1 in case of an ILC grip communication error, or a calibration error	U8	ro	-	-	-	-

*1003h Error log: Code*

Sub-index	Name	Description	Data type	Access	Minimum	Maximum	Default	Unit/Scale
0h	Log size	The entry at sub-index 0 contains the number of actual errors that are recorded starting at sub-index 1. Writing a zero to sub-index 0 clears the error log. Writing a value other than zero to sub-index 0 will result in an abort message.	U8	rw	0	24	-	-
1h	Error 1 Code	Every new error is stored at sub-index 1, the older ones move down the list.	U32	ro	0	2 <sup>32</sup> -1	-	-
2h	Error 2 Code		U32	ro	0	2 <sup>32</sup> -1	-	-
3h	Error 3 Code		U32	ro	0	2 <sup>32</sup> -1	-	-
4h	Error 4 Code		U32	ro	0	2 <sup>32</sup> -1	-	-
5h	Error 5 Code		U32	ro	0	2 <sup>32</sup> -1	-	-

Technical Information  
**JS1 Heavy Duty Joysticks**
**Appendix: CAN+ and CANopen protocol**
*1003h Error log: Code (continued)*

Sub-index	Name	Description	Data type	Access	Minimum	Maximum	Default	Unit/Scale
6h	Error 6 Code		U32	ro	0	2 <sup>32</sup> -1	-	-
7h	Error 7 Code		U32	ro	0	2 <sup>32</sup> -1	-	-
8h	Error 8 Code		U32	ro	0	2 <sup>32</sup> -1	-	-
9h	Error 9 Code		U32	ro	0	2 <sup>32</sup> -1	-	-
Ah	Error 10 Code		U32	ro	0	2 <sup>32</sup> -1	-	-
Bh	Error 11 Code		U32	ro	0	2 <sup>32</sup> -1	-	-
Ch	Error 12 Code		U32	ro	0	2 <sup>32</sup> -1	-	-
Dh	Error 13 Code		U32	ro	0	2 <sup>32</sup> -1	-	-
Eh	Error 14 Code		U32	ro	0	2 <sup>32</sup> -1	-	-
Fh	Error 15 Code		U32	ro	0	2 <sup>32</sup> -1	-	-
10h	Error 16 Code		U32	ro	0	2 <sup>32</sup> -1	-	-
11h	Error 17 Code		U32	ro	0	2 <sup>32</sup> -1	-	-
12h	Error 18 Code		U32	ro	0	2 <sup>32</sup> -1	-	-
13h	Error 19 Code		U32	ro	0	2 <sup>32</sup> -1	-	-
14h	Error 20 Code		U32	ro	0	2 <sup>32</sup> -1	-	-
15h	Error 21 Code		U32	ro	0	2 <sup>32</sup> -1	-	-
16h	Error 22 Code		U32	ro	0	2 <sup>32</sup> -1	-	-
17h	Error 23 Code		U32	ro	0	2 <sup>32</sup> -1	-	-
18h	Error 24 Code		U32	ro	0	2 <sup>32</sup> -1	-	-

*1008h Manufacturer device name*

Sub-index	Name	Description	Data type	Access	Minimum	Maximum	Default	Unit/Scale
0	Manufacturer Device Name	JS1-H device family name. Returns "JOYSTICK"	STR	Const	-	-	-	-

*1009h Manufacturer hardware version*

Sub-index	Name	Description	Data type	Access	Minimum	Maximum	Default	Unit/Scale
0	Manufacturer Hardware Version	Hardware part number. The part number will be different for joystick models.	STR	Const	-	-	-	-

*100Ah Manufacturer software version*

Sub-index	Name	Description	Data type	Access	Minimum	Maximum	Default	Unit/Scale
0	Manufacturer Software Version	Software part number and version.	STR	Const	-	-	-	-

*1014h COB-ID EMCY message*

Sub-index	Name	Description	Data type	Access	Minimum	Maximum	Default	Unit/Scale
0	COB-ID EMCY Message	Defines the COB-ID of the EMCY object.	U32	ro	0	2 <sup>32</sup> -1	80h+ Node ID	-



Technical Information  
**JS1 Heavy Duty Joysticks**
**Appendix: CAN+ and CANopen protocol**
*1017h Producer heartbeat time*

Sub-index	Name	Description	Data type	Access	Minimum	Maximum	Default	Unit/Scale
0	Producer	Time in milliseconds on how often the Joystick will transmit a heartbeat. A value of 0 will disable the heartbeat. It requires a reboot for the value to take effect after change.	U16	rw	0	$2^{32}-1$	20	-

*1018h Identity object*

Sub-index	Name	Description	Data type	Access	Minimum	Maximum	Default	Unit/Scale
0	Number of entries		U8	const	-	-	4	-
1	Vendor Id	Returns the Vendor Id for JS1-H = 19h.	U32	const	-	-	19h	-
2	Product Code		U32	const	-	-	1h	-
3	Revision Number		U32	const	-	-	10001h	-
4	Serial Number	Device serial number.	U32	const	-	-	-	-

*1200h Server SDO1 parameters*

Sub-index	Name	Description	Data type	Access	Minimum	Maximum	Default	Unit/Scale
0	Number of entries		U8	const	-	-	2	-
1	COB-ID used by SDO 1 rx		U32	ro	0	$2^{32}-1$	600h+ Node Id	-
2	COB-ID used by SDO 1 tx		U32	ro	0	$2^{32}-1$	580h+ Node Id	-

*1800h Transmit PDO1 communication parameters*

Sub-index	Name	Description	Data type	Access	Minimum	Maximum	Default	Unit/Scale
0	Number of entries		U8	const	-	-	5	-
1	COB-ID used by PDO1 Tx		U32	ro	0	$2^{32}-1$	180h+ Node Id + $2^{30}$	-
2	Transmission Type	FEh: event driven (manufacturer specific)	U8	ro	0	255	FEh	-
3	Inhibit Time	The time is the minimum interval for PDO transmission. The value is defined as multiple of 100 microseconds. The value of 0 shall disable the inhibit time.	U16	rw	0	$2^{16}-1$	0	ms/10

Technical Information  
**JS1 Heavy Duty Joysticks**
**Appendix: CAN+ and CANopen protocol**
*1800h Transmit PDO1 communication parameters (continued)*

Sub-index	Name	Description	Data type	Access	Minimum	Maximum	Default	Unit/Scale
4	Reserved	Not implemented; a read or write access results in an SDO abort with abort code 06090011h.	-	-	-	-	-	-
5	Event Time	The time is the maximum interval for PDO transmission. The value of 0 shall disable the event timer, resulting in the PDO not being transmitted.	U16	rw	0	$2^{16}-1$	20	ms

*1801h Transmit PDO2 communication parameters*

Sub-index	Name	Description	Data type	Access	Minimum	Maximum	Default	Unit/Scale
0	Number of entries		U8	const	-	-	5	-
1	COB-ID used by PDO2 Tx		U32	ro	0	$2^{32}-1$	280h + Node Id + $2^{30}$	-
2	Transmission Type	FEh: event driven (manufacturer specific)	U8	ro	0	255	FEh	-
3	Inhibit Time	The time is the minimum interval for PDO transmission. The value is defined as multiple of 100 microseconds. The value of 0 shall disable the inhibit time.	U16	rw	0	$2^{16}-1$	0	ms/10
4	Reserved	Not implemented; a read or write access results in an SDO abort with abort code 06090011h.	-	-	-	-	-	-
5	Event Timer	The time is the maximum interval for PDO transmission. The value of 0 shall disable the event timer, resulting in the PDO not being transmitted.	U16	rw	0	$2^{16}-1$	20	ms

*1802h Transmit PDO3 communication parameters*

Sub-index	Name	Description	Data type	Access	Minimum	Maximum	Default	Unit/Scale
0	Number of entries		U8	const	-	-	5	-
1	COB-ID used by PDO3 Tx		U32	ro	0	$2^{32}-1$	380h + Node Id + $2^{30}$	-
2	Transmission Type	FEh: event driven (manufacturer specific)	U8	ro	0	255	FEh	-

**Appendix: CAN+ and CANopen protocol**
*1802h Transmit PDO3 communication parameters (continued)*

Sub-index	Name	Description	Data type	Access	Minimum	Maximum	Default	Unit/Scale
3	Inhibit Time	The time is the minimum interval for PDO transmission. The value is defined as multiple of 100 microseconds. The value of 0 shall disable the inhibit time.	U16	rw	0	$2^{16}-1$	0	ms/10
4	Reserved	Not implemented; a read or write access results in an SDO abort with abort code 06090011h.	-	-	-	-	-	-
5	Event Timer	The time is the maximum interval for PDO transmission. The value of 0 shall disable the event timer, resulting in the PDO not being transmitted.	U16	rw	0	$2^{16}-1$	20	ms

*1A00h Transmit PD01 map parameters*

Sub-index	Name	Description	Data type	Access	Minimum	Maximum	Default	Unit/Scale
0	Number of Mapped Applications Objects in PDO1Tx		U8	ro	0	49	49	-
1	Mapping for Proportional Memory Freeze Status	Example: 6000h:1 gives value=60000108h where index=6000h sub-index=01h data type=08h (8bits)	U32	ro	0	$2^{32}-1$	60000108h	-
2	Mapping for Button 1	Button status	U32	ro	0	$2^{32}-1$	60200101h	-
3	Mapping for Button 2	Button status	U32	ro	0	$2^{32}-1$	60200201h	-
4	Mapping for Button 3	Button status	U32	ro	0	$2^{32}-1$	60200301h	-
5	Mapping for Button 4	Button status	U32	ro	0	$2^{32}-1$	60200401h	-
6	Mapping for Button 5	Button status	U32	ro	0	$2^{32}-1$	60200401h	-
7	Mapping for Button 6	Button status	U32	ro	0	$2^{32}-1$	60200601h	-
8	Mapping for Button 7	Button status	U32	ro	0	$2^{32}-1$	60200701h	-
9	Mapping for Button 8	Button status	U32	ro	0	$2^{32}-1$	60200801h	-
10	Mapping for Button 9	Button status	U32	ro	0	$2^{32}-1$	60200901h	-
11	Mapping for Button 10	Button status	U32	ro	0	$2^{32}-1$	60200A01h	-
12	Mapping for Button 11	Button status	U32	ro	0	$2^{32}-1$	60200B01h	-

**Appendix: CAN+ and CANopen protocol**
*1A00h Transmit PD01 map parameters (continued)*

Sub-index	Name	Description	Data type	Access	Minimum	Maximum	Default	Unit/Scale
13	Mapping for Button 12	Button status	U32	ro	0	2 <sup>32</sup> -1	60200C01h	-
14	Mapping for Button 13	Button status	U32	ro	0	2 <sup>32</sup> -1	60200D01h	-
15	Mapping for Button 14	Button status	U32	ro	0	2 <sup>32</sup> -1	60200E01h	-
16	Mapping for Button 15	Button status	U32	ro	0	2 <sup>32</sup> -1	60200F01h	-
17	Mapping for Button 16	Button status	U32	ro	0	2 <sup>32</sup> -1	60201001h	-
18	Mapping for Button 17	Button status	U32	ro	0	2 <sup>32</sup> -1	60201101h	-
19	Mapping for Button 18	Button status	U32	ro	0	2 <sup>32</sup> -1	60201201h	-
20	Mapping for Button 19	Button status	U32	ro	0	2 <sup>32</sup> -1	60201301h	-
21	Mapping for Button 20	Button status	U32	ro	0	2 <sup>32</sup> -1	60201401h	-
22	Mapping for Button 21	Button status	U32	ro	0	2 <sup>32</sup> -1	60201501h	-
23	Mapping for Button 22	Button status	U32	ro	0	2 <sup>32</sup> -1	60201601h	-
24	Mapping for Button 23	Button status	U32	ro	0	2 <sup>32</sup> -1	60201701h	-
25	Mapping for Button 24	Button status	U32	ro	0	2 <sup>32</sup> -1	60201801h	-
26	Reserved	Example: 6000h:2 gives value=60000208h where index=6000h sub-index=02h data type=08h (8 bits)	U32	ro	0	2 <sup>32</sup> -1	60000208h	-
27	Mapping for Button 1	Button enabled	U32	ro	0	2 <sup>32</sup> -1	60201901h	-
28	Mapping for Button 2	Button enabled	U32	ro	0	2 <sup>32</sup> -1	60201A01h	-
29	Mapping for Button 3	Button enabled	U32	ro	0	2 <sup>32</sup> -1	60201B01h	-
30	Mapping for Button 4	Button enabled	U32	ro	0	2 <sup>32</sup> -1	60201C01h	-
31	Mapping for Button 5	Button enabled	U32	ro	0	2 <sup>32</sup> -1	60201D01h	-
32	Mapping for Button 6	Button enabled	U32	ro	0	2 <sup>32</sup> -1	60201E01h	-
33	Mapping for Button 7	Button enabled	U32	ro	0	2 <sup>32</sup> -1	60201F01h	-
34	Mapping for Button 8	Button enabled	U32	ro	0	2 <sup>32</sup> -1	60202001h	-
35	Mapping for Button 9	Button enabled	U32	ro	0	2 <sup>32</sup> -1	60202101h	-
36	Mapping for Button 10	Button enabled	U32	ro	0	2 <sup>32</sup> -1	60202201h	-
37	Mapping for Button 11	Button enabled	U32	ro	0	2 <sup>32</sup> -1	60202301h	-

**Appendix: CAN+ and CANopen protocol**
*1A00h Transmit PDO1 map parameters (continued)*

Sub-index	Name	Description	Data type	Access	Minimum	Maximum	Default	Unit/Scale
38	Mapping for Button 12	Button enabled	U32	ro	0	2 <sup>32</sup> -1	60202401h	-
39	Mapping for Button 13	Button enabled	U32	ro	0	2 <sup>32</sup> -1	60202501h	-
40	Mapping for Button 14	Button enabled	U32	ro	0	2 <sup>32</sup> -1	60202601h	-
41	Mapping for Button 15	Button enabled	U32	ro	0	2 <sup>32</sup> -1	60202701h	-
42	Mapping for Button 16	Button enabled	U32	ro	0	2 <sup>32</sup> -1	60202801h	-
43	Mapping for Button 17	Button enabled	U32	ro	0	2 <sup>32</sup> -1	60202901h	-
44	Mapping for Button 18	Button enabled	U32	ro	0	2 <sup>32</sup> -1	60202A01h	-
45	Mapping for Button 19	Button enabled	U32	ro	0	2 <sup>32</sup> -1	60202B01h	-
46	Mapping for Button 20	Button enabled	U32	ro	0	2 <sup>32</sup> -1	60202C01h	-
47	Mapping for Button 21	Button enabled	U32	ro	0	2 <sup>32</sup> -1	60202D01h	-
48	Mapping for Button 22	Button enabled	U32	ro	0	2 <sup>32</sup> -1	60202E01h	-
49	Mapping for Button 23	Button enabled	U32	ro	0	2 <sup>32</sup> -1	60202F01h	-
50	Mapping for Button 24	Button enabled	U32	ro	0	2 <sup>32</sup> -1	60203001h	-

*1A01h Transmit PDO2 map parameters*

Sub-index	Name	Description	Data type	Access	Minimum	Maximum	Default	Unit/Scale
0	Number of Mapped Applications Objects in PDO2Tx		U8	ro	0	6	6	-
1	Mapping for X-Axis Proportional	Example: 6401h:1 gives value=64010110h where index=6401h sub-index=01h data type=10h (16 bits)	U32	ro	0	2 <sup>32</sup> -1	64010110h	-
2	Mapping for Y-Axis Proportional		U32	ro	0	2 <sup>32</sup> -1	64010210h	-
3	Reserved	Example: 6405h:1 gives value=64050110h where index=6405h sub-index=01h data type=10h (16 bits)	U32	ro	0	2 <sup>32</sup> -1	64050110h	-
4	Mapping for X-Axis Neutral State	Example: 6404h:1 gives value=64040102h where index=6404h sub-index=01h data type=02h (2 bits)	U32	ro	0	2 <sup>32</sup> -1	64040102h	-

Technical Information  
**JS1 Heavy Duty Joysticks**
**Appendix: CAN+ and CANopen protocol**
*1A01h Transmit PDO2 map parameters (continued)*

Sub-index	Name	Description	Data type	Access	Minimum	Maximum	Default	Unit/Scale
5	Mapping for Y-Axis Neutral State		U32	ro	0	$2^{32}-1$	64040202h	-
6	Reserved	Example: 6406h:1 gives value=64060102h where index=6406h sub-index=01h data type=02h (2 bits)	U32	ro	0	$2^{32}-1$	64060102h	-

*1A02h Transmit PDO3 map parameters*

Sub-index	Name	Description	Data type	Access	Minimum	Maximum	Default	Unit/Scale
0	Number of Mapped Applications Objects in PDO3Tx		U8	ro	0	6	6	-
1	Mapping for Grip 1 Proportional	Example: 6401h:1 gives value=64010310h where index=6401h sub-index=03h data type=10h (16 bits)	U32	ro	0	$2^{32}-1$	64010310h	-
2	Mapping for Grip 2 Proportional		U32	ro	0	$2^{32}-1$	64010410h	-
3	Mapping for Grip 3 Proportional		U32	ro	0	$2^{32}-1$	64010510h	-
4	Mapping for Grip 1 Axis Neutral State	Example: 6404h:3 gives value=64040302h where index=6404h sub-index=03h data type=02h (2 bits)	U32	ro	0	$2^{32}-1$	64040302h	-
5	Mapping for Grip 2 Axis Neutral State		U32	ro	0	$2^{32}-1$	64040402h	-
6	Mapping for Grip 3 Axis Neutral State		U32	ro	0	$2^{32}-1$	64040502h	-

**Appendix: CAN+ and CANopen protocol**
*6000h Read input 8-bit*

Sub-index	Name	Description	Data type	Access	Minimum	Maximum	Default	Unit/Scale
0	Number of Inputs 8-Bit		U8	ro	0	1	-	-
1	Proportional Memory Freeze	*Not supported Memory status for the proportional outputs. 0: memory function off (release proportional values) 1: memory functions on (freeze proportional values)	U8	ro	0	0	0	-
2	Proportional Memory Freeze	*Not supported Memory status for the proportional outputs. 0: memory function off (release proportional values) 1: memory functions on (freeze proportional values)	U8	ro	0	0	0	-

*6020h Read input bit (buttons)*

Sub-index	Name	Description	Data type	Access	Minimum	Maximum	Default	Unit/Scale
0	Number of Inputs Bits		U8	ro	0	32	32	-
1	Freeze Bit 1	*Not supported Memory status for the proportional outputs. 0: memory function off (release proportional values) 1: memory functions on (freeze proportional values)	U8	ro	0	0	0	-
2	Freeze Bit 2	*Not supported	U8	ro	0	0	0	-
3	Freeze Bit 3	*Not supported	U8	ro	0	0	0	-
4	Freeze Bit 4	*Not supported	U8	ro	0	0	0	-
5	Freeze Bit 5	*Not supported	U8	ro	0	0	0	-
6	Freeze Bit 6	*Not supported	U8	ro	0	0	0	-
7	Freeze Bit 7	*Not supported	U8	ro	0	0	0	-
8	Freeze Bit 8	*Not supported	U8	ro	0	0	0	-
9	Button 1	0: Not Pressed 1: Pressed	U8	ro	0	1	0	-
10	Button 2	See Button 1 (Sub Index 9)	U8	ro	0	1	0	-
11	Button 3	See Button 1 (Sub Index 9)	U8	ro	0	1	0	-
12	Button 4	See Button 1 (Sub Index 9)	U8	ro	0	1	0	-
13	Button 5	See Button 1 (Sub Index 9)	U8	ro	0	1	0	-
14	Button 6	See Button 1 (Sub Index 9)	U8	ro	0	1	0	-
15	Button 7	See Button 1 (Sub Index 9)	U8	ro	0	1	0	-
16	Button 8	See Button 1 (Sub Index 9)	U8	ro	0	1	0	-
17	Button 9	See Button 1 (Sub Index 9)	U8	ro	0	1	0	-
18	Button 10	See Button 1 (Sub Index 9)	U8	ro	0	1	0	-
19	Button 11	See Button 1 (Sub Index 9)	U8	ro	0	1	0	-
20	Button 12	See Button 1 (Sub Index 9)	U8	ro	0	1	0	-
21	Button 13	See Button 1 (Sub Index 9)	U8	ro	0	1	0	-

**Appendix: CAN+ and CANopen protocol**
*6020h Read input bit (buttons) (continued)*

Sub-index	Name	Description	Data type	Access	Minimum	Maximum	Default	Unit/Scale
22	Button 14	See Button 1 (Sub Index 9)	U8	ro	0	1	0	-
23	Button 15	See Button 1 (Sub Index 9)	U8	ro	0	1	0	-
24	Button 16	See Button 1 (Sub Index 9)	U8	ro	0	1	0	-
25	Button 17	See Button 1 (Sub Index 9)	U8	ro	0	1	0	-
26	Button 18	See Button 1 (Sub Index 9)	U8	ro	0	1	0	-
27	Button 19	See Button 1 (Sub Index 9)	U8	ro	0	1	0	-
28	Button 20	See Button 1 (Sub Index 9)	U8	ro	0	1	0	-
29	Button 21	See Button 1 (Sub Index 9)	U8	ro	0	1	0	-
30	Button 22	See Button 1 (Sub Index 9)	U8	ro	0	1	0	-
31	Button 23	See Button 1 (Sub Index 9)	U8	ro	0	1	0	-
32	Button 24	See Button 1 (Sub Index 9)	U8	ro	0	1	0	-
33	Button 1	0: Not Enabled 1: Enabled	U8	ro	0	1	0	-
34	Button 2	See Button 1 (Sub Index 33)	U8	ro	0	1	0	-
35	Button 3	See Button 1 (Sub Index 33)	U8	ro	0	1	0	-
36	Button 4	See Button 1 (Sub Index 33)	U8	ro	0	1	0	-
37	Button 5	See Button 1 (Sub Index 33)	U8	ro	0	1	0	-
38	Button 6	See Button 1 (Sub Index 33)	U8	ro	0	1	0	-
39	Button 7	See Button 1 (Sub Index 33)	U8	ro	0	1	0	-
40	Button 8	See Button 1 (Sub Index 33)	U8	ro	0	1	0	-
41	Button 9	See Button 1 (Sub Index 33)	U8	ro	0	1	0	-
42	Button 10	See Button 1 (Sub Index 33)	U8	ro	0	1	0	-
43	Button 11	See Button 1 (Sub Index 33)	U8	ro	0	1	0	-
44	Button 12	See Button 1 (Sub Index 33)	U8	ro	0	1	0	-
45	Button 13	See Button 1 (Sub Index 33)	U8	ro	0	1	0	-
46	Button 14	See Button 1 (Sub Index 33)	U8	ro	0	1	0	-
47	Button 15	See Button 1 (Sub Index 33)	U8	ro	0	1	0	-
48	Button 16	See Button 1 (Sub Index 33)	U8	ro	0	1	0	-
49	Button 17	See Button 1 (Sub Index 33)	U8	ro	0	1	0	-
50	Button 18	See Button 1 (Sub Index 33)	U8	ro	0	1	0	-
51	Button 19	See Button 1 (Sub Index 33)	U8	ro	0	1	0	-
52	Button 20	See Button 1 (Sub Index 33)	U8	ro	0	1	0	-
53	Button 21	See Button 1 (Sub Index 33)	U8	ro	0	1	0	-
54	Button 22	See Button 1 (Sub Index 33)	U8	ro	0	1	0	-
55	Button 23	See Button 1 (Sub Index 33)	U8	ro	0	1	0	-
56	Button 24	See Button 1 (Sub Index 33)	U8	ro	0	1	0	-

*6401h Read analog inputs 16-Bit*

Sub-index	Name	Description	Data type	Access	Minimum	Maximum	Default	Unit/Scale
0	Number of Analog Inputs 16-Bit		U8	ro	0	10	-	-
1	X-Axis Proportional		S16	ro	-1000	1000	0	%*10
2	Y-Axis Proportional		S16	ro	-1000	1000	0	%*10



Technical Information  
**JS1 Heavy Duty Joysticks**
**Appendix: CAN+ and CANopen protocol**
*6401h Read analog inputs 16-Bit (continued)*

Sub-index	Name	Description	Data type	Access	Minimum	Maximum	Default	Unit/Scale
3	Grip 1 Proportional		S16	ro	-1000	1000	0	%*10
4	Grip 2 Proportional		S16	ro	-1000	1000	0	%*10
5	Grip 3 Proportional		S16	ro	-1000	1000	0	%*10
6	Axis 5		S16	ro	-1000	1000	0	%*10
7	Axis 6		S16	ro	-1000	1000	0	%*10
8	Axis 7		S16	ro	-1000	1000	0	%*10
9	Axis 8		S16	ro	-1000	1000	0	%*10
10	Axis 9		S16	ro	-1000	1000	0	%*10

*6404h Manufacturer specific input 2-Bit*

Sub-index	Name	Description	Data type	Access	Minimum	Maximum	Default	Unit/Scale
0	Number of Mfg Specific Inputs 2-Bit		U8	ro	0	10	-	-
1	X-Axis Proportional Neutral State		U8	ro	0	3	0	00 – Neutral 01 – Out of Neutral 10 – Error 11 – Not Available
2	Y-Axis Proportional Neutral State		U8	ro	0	3	0	See Sub Index 1
3	Grip 1 Proportional Neutral State		U8	ro	0	3	0	See Sub Index 1
4	Grip 2 Proportional Neutral State		U8	ro	0	3	0	See Sub Index 1
5	Grip 3 Proportional Neutral State		U8	ro	0	3	0	See Sub Index 1
6	Axis 5 Neutral State		U8	ro	0	3	0	See Sub Index 1
7	Axis 6 Neutral State		U8	ro	0	3	0	See Sub Index 1
8	Axis 7 Neutral State		U8	ro	0	3	0	See Sub Index 1
9	Axis 8 Neutral State		U8	ro	0	3	0	See Sub Index 1
10	Axis 9 Neutral State		U8	ro	0	3	0	See Sub Index 1

Technical Information  
**JS1 Heavy Duty Joysticks**


---

**Appendix: CAN+ and CANopen protocol**
*6405h Manufacturer specific reserved 16-Bit*

Sub-index	Name	Description	Data type	Access	Minimum	Maximum	Default	Unit/Scale
0	Number of Mfg Specific Reserved 16-Bit		U16	ro	0	1	-	-
1	Reserved 1		U16	ro	0	2 <sup>16</sup> -1	0	

*6406h Manufacturer specific reserved 2-Bit*

Sub-index	Name	Description	Data type	Access	Minimum	Maximum	Default	Unit/Scale
0	Number of Mfg Specific Reserved 2-Bit		U8	ro	0	1	-	-
1	Reserved 1		U8	ro	0	3	0	

Technical Information  
**JS1 Heavy Duty Joysticks**
**Appendix: CAN+ and CANopen protocol**
**Parameter/variable index - JS1-H CAN+**
*40h Device type*

Sub-index	Name	Description	Data type	Access	Minimum	Maximum	Default	Unit/Scale
0	NEUTRAL_STATE	2-bit Proportional Axis (Neutral State) data type. 0x00 = Neutral 0x01 = Out Of Neutral 0x02 = Error 0x03 = Not Available	U32	ro	=	=	=	=

*1000h Device type*

Sub-index	Name	Description	Data type	Access	Minimum	Maximum	Default	Unit/Scale
0	Device Type	01050191h: Joystick without digital outputs	U32	const	=	=	See description	=

*1001h Device register*

Sub-index	Name	Description	Data type	Access	Minimum	Maximum	Default	Unit/Scale
0	Error Register	Bit 0 (Generic): 1 in case of an unknown error Bit 1 (Current): Always zero Bit 2 (Voltage): 1 in case of a voltage to high or low Bit 3 (Temperature): Always zero Bit 4 (Communication Error): Always zero Bit 5 (Device Profile Specific): Always zero Bit 6 (Reserved): Always zero Bit 7 (Manufacture-Specific): 1 in case of an IIC grip communication error, or a calibration error	U8	ro	=	=	=	=

*1003h Error log: Code*

Sub-index	Name	Description	Data type	Access	Minimum	Maximum	Default	Unit/Scale
0h	Log size	The entry at sub-index 0 contains the number of actual errors that are recorded starting at sub-index 1. Writing a zero to sub-index 0 clears the error log. Writing a value other than zero to sub-index 0 will result in an abort message.	U8	rw	0	24	=	=
1h	Error 1 Code	Every new error is stored at sub-index 1, the older ones move down the list.	U32	ro	0	2 <sup>32</sup> -1	=	=
2h	Error 1 Code		U32	ro	0	2 <sup>32</sup> -1	=	=
3h	Error 1 Code		U32	ro	0	2 <sup>32</sup> -1	=	=
4h	Error 1 Code		U32	ro	0	2 <sup>32</sup> -1	=	=
5h	Error 1 Code		U32	ro	0	2 <sup>32</sup> -1	=	=
6h	Error 1 Code		U32	ro	0	2 <sup>32</sup> -1	=	=
7h	Error 1 Code		U32	ro	0	2 <sup>32</sup> -1	=	=

Technical Information  
**JS1 Heavy Duty Joysticks**
**Appendix: CAN+ and CANopen protocol**
*1003h Error log: Code (continued)*

Sub-index	Name	Description	Data type	Access	Minimum	Maximum	Default	Unit/Scale
8h	Error 1 Code		U32	ro	0	2 <sub>32</sub> -1	=	=
9h	Error 1 Code		U32	ro	0	2 <sub>32</sub> -1	=	=
Bh	Error 1 Code		U32	ro	0	2 <sub>32</sub> -1	=	=
Ch	Error 1 Code		U32	ro	0	2 <sub>32</sub> -1	=	=
Dh	Error 1 Code		U32	ro	0	2 <sub>32</sub> -1	=	=
Eh	Error 1 Code		U32	ro	0	2 <sub>32</sub> -1	=	=
Fh	Error 1 Code		U32	ro	0	2 <sub>32</sub> -1	=	=
10h	Error 1 Code		U32	ro	0	2 <sub>32</sub> -1	=	=
11h	Error 1 Code		U32	ro	0	2 <sub>32</sub> -1	=	=
12h	Error 1 Code		U32	ro	0	2 <sub>32</sub> -1	=	=
13h	Error 1 Code		U32	ro	0	2 <sub>32</sub> -1	=	=
14h	Error 1 Code		U32	ro	0	2 <sub>32</sub> -1	=	=
15h	Error 1 Code		U32	ro	0	2 <sub>32</sub> -1	=	=
16h	Error 1 Code		U32	ro	0	2 <sub>32</sub> -1	=	=
17h	Error 1 Code		U32	ro	0	2 <sub>32</sub> -1	=	=
18h	Error 1 Code		U32	ro	0	2 <sub>32</sub> -1	=	=

*1008h Manufacturer device name*

Sub-index	Name	Description	Data type	Access	Minimum	Maximum	Default	Unit/Scale
0	Manufacturer Device Name	JS1-H device family name. Returns "JOYSTICK"	STR	Const	=	=	=	=

*1009h Manufacturer hardware version*

Sub-index	Name	Description	Data type	Access	Minimum	Maximum	Default	Unit/Scale
0	Manufacturer Hardware Version	Hardware part number. The part number will be different for joystick models.	STR	Const	=	=	=	=

*100Ah Manufacturer software version*

Sub-index	Name	Description	Data type	Access	Minimum	Maximum	Default	Unit/Scale
0	Manufacturer Software Version	Software part number and version.	STR	Const	=	=	=	=

*1014h COB-ID EMCY message*

Sub-index	Name	Description	Data type	Access	Minimum	Maximum	Default	Unit/Scale
0	COB-ID EMCY Message	Defines the COB-ID of the EMCY object.	U32	ro	0	2 <sub>32</sub> -1	80h+ Node ID	=

Technical Information  
**JS1 Heavy Duty Joysticks**
**Appendix: CAN+ and CANopen protocol**
*1017h Producer heartbeat time*

Sub-index	Name	Description	Data type	Access	Minimum	Maximum	Default	Unit/Scale
0	Producer	Time in milliseconds on how often the Joystick will transmit a heartbeat. A value of 0 will disable the heartbeat. It requires a reboot for the value to take effect after change.	U16	rw	0	$2_{32}-1$	20	=

*1018h Identity object*

Sub-index	Name	Description	Data type	Access	Minimum	Maximum	Default	Unit/Scale
0	Number of entries		U8	Const	=	=	4	=
1	Vendor Id	Returns the Vendor Id for JS1-H = 19h.	U32	Const	=	=	19h	=
2	Product Code		U32	Const	=	=	1h	=
3	Revision Number		U32	Const	=	=	10001h	=
4	Serial Number	Device serial number.	U32	Const	=	=	=	=

*1200h Server SDO1 parameters*

Sub-index	Name	Description	Data type	Access	Minimum	Maximum	Default	Unit/Scale
0	Number of entries		U8	Const	=	=	2	=
1	COB-ID used by SDO 1 rx		U32	ro	0	$2_{32}-1$	600h+ Node Id	=
2	COB-ID used by SDO 1 tx		U32	ro	0	$2_{32}-1$	580h+ Node Id	=

*1800h Transmit PDO1 communication parameters*

Sub-index	Name	Description	Data type	Access	Minimum	Maximum	Default	Unit/Scale
0	Number of entries		U8	Const	=	=	5	=
1	COB-ID used by PDO1 Tx		U32	ro	0	$2_{32}-1$	180h+ Node Id + $2_{30}$	=
2	Transmission Type	FEh: event driven (manufacturer specific)	U8	ro	0	255	FEh	=
3	Inhibit Time	The time is the minimum interval for PDO transmission. The value is defined as multiple of 100 microseconds. The value of 0 shall disable the inhibit time.	U16	rw	0	$2_{16}-1$	0	ms/10
4	Reserved	Not implemented; a read or write access results in an SDO abort with abort code 06090011h.	=	=	=	=	=	=
5	Event Time	The time is the maximum interval for PDO transmission. The value of 0 shall disable the event timer, resulting in the PDO not being transmitted.	U16	rw	0	$2_{16}-1$	20	ms

**Appendix: CAN+ and CANopen protocol**
*1801h Transmit PDO2 communication parameters*

Sub-index	Name	Description	Data type	Access	Minimum	Maximum	Default	Unit/Scale
0	Number of entries		U8	Const	=	=	5	=
1	COB-ID used by PDO2 Tx		U32	ro	0	$2_{32}-1$	280h+ Node Id + 2 <sub>30</sub>	=
2	Transmission Type	FEh: event driven (manufacturer specific)	U8	ro	0	255	FEh	=
3	Inhibit Time	The time is the minimum interval for PDO transmission. The value is defined as multiple of 100 microseconds. The value of 0 shall disable the inhibit time.	U16	rw	0	$2_{16}-1$	0	ms/10
4	Reserved	Not implemented; a read or write access results in an SDO abort with abort code 06090011h.	=	=	0	=	=	=
5	Event Time	The time is the maximum interval for PDO transmission. The value of 0 shall disable the event timer, resulting in the PDO not being transmitted.	U16	rw	0	$2_{16}-1$	20	ms

*1802h Transmit PDO3 communication parameters*

Sub-index	Name	Description	Data type	Access	Minimum	Maximum	Default	Unit/Scale
0	Number of entries		U8	Const	=	=	5	=
1	COB-ID used by PDO3 Tx		U32	ro	0	$2_{32}-1$	380h+ Node Id + 2 <sub>30</sub>	=
2	Transmission Type	FEh: event driven (manufacturer specific)	U8	ro	0	255	FEh	=
3	Inhibit Time	The time is the minimum interval for PDO transmission. The value is defined as multiple of 100 microseconds. The value of 0 shall disable the inhibit time.	U16	rw	0	$2_{16}-1$	0	ms/10
4	Reserved	Not implemented; a read or write access results in an SDO abort with abort code 06090011h.	=	=	=	=	=	=
5	Event Time	The time is the maximum interval for PDO transmission. The value of 0 shall disable the event timer, resulting in the PDO not being transmitted.	U16	rw	0	$2_{16}-1$	20	ms

*1803h Transmit PDO4 communication parameters*

Sub-index	Name	Description	Data type	Access	Minimum	Maximum	Default	Unit/Scale
0	Number of entries		U8	Const	=	=	5	=
1	COB-ID used by PDO3 Tx		U32	ro	0	$2_{32}-1$	380h+ Node Id + 2 <sub>30</sub>	=
2	Transmission Type	FEh: event driven (manufacturer specific)	U8	ro	0	255	FEh	=

**Appendix: CAN+ and CANopen protocol**
*1803h Transmit PDO4 communication parameters (continued)*

Sub-index	Name	Description	Data type	Access	Minimum	Maximum	Default	Unit/Scale
3	Inhibit Time	The time is the minimum interval for PDO transmission. The value is defined as multiple of 100 microseconds. The value of 0 shall disable the inhibit time.	U16	rw	0	$2_{16}^{-1}$	0	ms/10
4	Reserved	Not implemented; a read or write access results in an SDO abort with abort code 06090011h.	=	=	=	=	=	=
5	Event Time	The time is the maximum interval for PDO transmission. The value of 0 shall disable the event timer, resulting in the PDO not being transmitted.	U16	rw	0	$2_{16}^{-1}$	20	ms

*1A00h Transmit PDO1 map parameters*

Sub-index	Name	Description	Data type	Access	Minimum	Maximum	Default	Unit/Scale
0	Number of Mapped Applications Objects in PDO1Tx		U8	ro	0	39	39	=
1	Mapping for Proportional Memory Freeze Status	Example: 6000h:1 gives value=60000108h where index=6000h sub-index=01h data type=08h (8bits)	U32	ro	0	0	60000108h	=
2	Mapping for Button 1	Button status	U32	ro	0	1	60200101h	=
3	Mapping for Button 2	Button status	U32	ro	0	1	60200201h	=
4	Mapping for Button 3	Button status	U32	ro	0	1	60200301h	=
5	Mapping for Button 4	Button status	U32	ro	0	1	60200401h	=
6	Mapping for Button 5	Button status	U32	ro	0	1	60200401h	=
7	Mapping for Button 6	Button status	U32	ro	0	1	60200401h	=
8	Mapping for Button 7	Button status	U32	ro	0	1	60200701h	=
9	Mapping for Button 8	Button status	U32	ro	0	1	60200801h	=
10	Mapping for Button 9	Button status	U32	ro	0	1	60200901h	=
11	Mapping for Button 10	Button status	U32	ro	0	1	60200A01h	=
12	Mapping for Button 11	Button status	U32	ro	0	1	60200B01h	=
13	Mapping for Button 12	Button status	U32	ro	0	1	60200C01h	=
14	Reserved	Example: 6000h:2 gives value=60000204h where index=6000h sub-index=02h data type=04h (4 bits)	U32	ro	0	0	60000204h	=

**Appendix: CAN+ and CANopen protocol**
*1A00h Transmit PD01 map parameters (continued)*

Sub-index	Name	Description	Data type	Access	Minimum	Maximum	Default	Unit/Scale
15	Mapping for Button 13	Button status	U32	ro	0	1	60200D01h	=
16	Mapping for Button 14	Button status	U32	ro	0	1	60200E01h	=
17	Mapping for Button 15	Button status	U32	ro	0	1	60200F01h	=
18	Mapping for Button 16	Button status	U32	ro	0	1	60201001h	=
19	Mapping for Button 17	Button status	U32	ro	0	1	60201101h	=
20	Mapping for Button 18	Button status	U32	ro	0	1	60201201h	=
21	Mapping for Button 19	Button status	U32	ro	0	1	60201301h	=
22	Mapping for Button 20	Button status	U32	ro	0	1	60201401h	=
23	Mapping for Button 21	Button status	U32	ro	0	1	60201501h	=
24	Mapping for Button 22	Button status	U32	ro	0	1	60201601h	=
25	Mapping for Button 23	Button status	U32	ro	0	1	60201701h	=
26	Mapping for Button	Button status	U32	ro	0	1	60201801h	=
27	Reserved	Example: 6000h:2 gives value=60000204h where index=6000h sub-index=02h data type=04h (4 bits)	U32	ro	0	1	60000204h	=
28	Mapping for Button 1	Button enabled	U32	ro	0	1	60201901h	=
29	Mapping for Button 2	Button enabled	U32	ro	0	1	60201A01h	=
30	Mapping for Button 3	Button enabled	U32	ro	0	1	60201B01h	=
31	Mapping for Button 4	Button enabled	U32	ro	0	1	60201C01h	=
32	Mapping for Button 5	Button enabled	U32	ro	0	1	60201D01h	=
33	Mapping for Button 6	Button enabled	U32	ro	0	1	60201E01h	=
34	Mapping for Button 7	Button enabled	U32	ro	0	1	60201F01h	=
35	Mapping for Button 8	Button enabled	U32	ro	0	1	60202001h	=
36	Mapping for Button 9	Button enabled	U32	ro	0	1	60202101h	=
37	Mapping for Button 10	Button enabled	U32	ro	0	1	60202201h	=
38	Mapping for Button 11	Button enabled	U32	ro	0	1	60202301h	=
39	Mapping for Button 12	Button enabled	U32	ro	0	1	60202401h	=



Technical Information  
**JS1 Heavy Duty Joysticks**
**Appendix: CAN+ and CANopen protocol**
*1A01h Transmit PDO2 map parameters*

Sub-index	Name	Description	Data type	Access	Minimum	Maximum	Default	Unit/Scale
0	Number of Mapped Applications Objects in PDO2Tx		U8	ro	0	6	6	=
1	Mapping for X-Axis Proportional	Example: 6401h:1 gives value=64010110h where index=6401h sub-index=01h data type=10h (16 bits)	U32	ro	0	2 <sub>32</sub> -1	64010110h	=
2	Mapping for Y-Axis Proportional		U32	ro	0	2 <sub>32</sub> -1	64010210h	=
3	Reserved	Example: 6405h:1 gives value=64050110h where index=6405h sub-index=01h data type=10h (16 bits)	U32	ro	0	2 <sub>32</sub> -1	64050110h	=
4	Mapping for X-Axis Neutral State	Example: 6404h:1 gives value=64040102h where index=6404h sub-index=01h data type=02h (2 bits)	U32	ro	0	2 <sub>32</sub> -1	64040102h	=
5	Mapping for Y-Axis Neutral State		U32	ro	0	2 <sub>32</sub> -1	64040202h	=
6	Reserved	Example: 6406h:1 gives value=64060102h where index=6406h sub-index=01h data type=02h (2 bits)	U32	ro	0	2 <sub>32</sub> -1	64060102h	=

*1A02h Transmit PDO3 map parameters*

Sub-index	Name	Description	Data type	Access	Minimum	Maximum	Default	Unit/Scale
0	Number of Mapped Applications Objects in PDO3Tx		U8	ro	0	6	6	=
1	Mapping for Grip 1 Proportional	Example: 6401h:1 gives value=64010310h where index=6401h sub-index=03h data type=10h (16 bits)	U32	ro	0	2 <sub>32</sub> -1	64010310h	=
2	Mapping for Grip 2 Proportional		U32	ro	0	2 <sub>32</sub> -1	64010410h	=
3	Mapping for Grip 3 Proportional		U32	ro	0	2 <sub>32</sub> -1	64010510h	=
4	Mapping for Grip 1 Axis Neutral State	Example: 6404h:3 gives value=64040302h where index=6404h sub-index=03h data type=02h (2 bits)	U32	ro	0	2 <sub>32</sub> -1	64040302h	=
5	Mapping for Grip 2 Axis Neutral State		U32	ro	0	2 <sub>32</sub> -1	64040402h	=
6	Mapping for Grip 3 Axis Neutral State		U32	ro	0	2 <sub>32</sub> -1	64040502h	=

Technical Information  
**JS1 Heavy Duty Joysticks**
**Appendix: CAN+ and CANopen protocol**
*1A03h Transmit PDO4 map parameters*

Sub-index	Name	Description	Data type	Access	Minimum	Maximum	Default	Unit/Scale
0	Number of Mapped Applications Objects in PDO4Tx		U8	ro	0	4	4	=
1	Mapping for X100p11	Example: 6401h:1 gives value=64010610h where index=6401h sub-index=06h data type=10h (16 bits)	U32	ro	0	2 <sub>32</sub> -1	64010610h	=
2	Mapping for X100p12		U32	ro	0	2 <sub>32</sub> -1	64010710h	=
3	Mapping for X100p30		U32	ro	0	2 <sub>32</sub> -1	64010810h	=
4	Mapping for X100p15		U32	ro	0	2 <sub>32</sub> -1	64010910h	=

*6000h Read input 8-bit*

Sub-index	Name	Description	Data type	Access	Minimum	Maximum	Default	Unit/Scale
0	Number of Inputs 8-Bit		U8	ro	0	1	=	=
1	Proportional Memory Freeze	Not supported Memory status for the proportional outputs. 0: memory function off (release proportional values) 1: memory functions on (freeze proportional values)	U8	ro	0	0	0	=
2	Proportional Memory Freeze	Not supported Memory status for the proportional outputs. 0: memory function off (release proportional values) 1: memory functions on (freeze proportional values)	U8	ro	0	0	0	=

*6020h Read input bit (buttons)*

Sub-index	Name	Description	Data type	Access	Minimum	Maximum	Default	Unit/Scale
0	Number of Inputs Bits		U8	ro	0	32	32	=
1	Freeze Bit 1	Not supported Memory status for the proportional outputs. 0: memory function off (release proportional values) 1: memory functions on (freeze proportional values)	U8	ro	0	0	0	=
2	Freeze Bit 2	Not supported Memory status for the proportional outputs. 0: memory function off (release proportional values) 1: memory functions on (freeze proportional values)	U8	ro	0	0	0	=

**Appendix: CAN+ and CANopen protocol**
*6020h Read input bit (buttons) (continued)*

Sub-index	Name	Description	Data type	Access	Minimum	Maximum	Default	Unit/Scale
3	Freeze Bit 3	Not supported Memory status for the proportional outputs. 0: memory function off (release proportional values) 1: memory functions on (freeze proportional values)	U8	ro	0	0	0	=
4	Freeze Bit 4	Not supported Memory status for the proportional outputs. 0: memory function off (release proportional values) 1: memory functions on (freeze proportional values)	U8	ro	0	0	0	=
5	Freeze Bit 5	Not supported Memory status for the proportional outputs. 0: memory function off (release proportional values) 1: memory functions on (freeze proportional values)	U8	ro	0	0	0	=
6	Freeze Bit 6	Not supported Memory status for the proportional outputs. 0: memory function off (release proportional values) 1: memory functions on (freeze proportional values)	U8	ro	0	0	0	=
7	Freeze Bit 7	Not supported Memory status for the proportional outputs. 0: memory function off (release proportional values) 1: memory functions on (freeze proportional values)	U8	ro	0	0	0	=
8	Freeze Bit 8	Not supported Memory status for the proportional outputs. 0: memory function off (release proportional values) 1: memory functions on (freeze proportional values)	U8	ro	0	0	0	=
9	Button 1	0: Not Pressed 1: Pressed	U8	ro	0	1	0	=
10	Button 2	See Button 1 (Sub Index 9)	U8	ro	0	1	0	=
11	Button 3	See Button 1 (Sub Index 9)	U8	ro	0	1	0	=
12	Button 4	See Button 1 (Sub Index 9)	U8	ro	0	1	0	=
13	Button 5	See Button 1 (Sub Index 9)	U8	ro	0	1	0	=
14	Button 6	See Button 1 (Sub Index 9)	U8	ro	0	1	0	=
15	Button 7	See Button 1 (Sub Index 9)	U8	ro	0	1	0	=
16	Button 8	See Button 1 (Sub Index 9)	U8	ro	0	1	0	=
17	Button 9	See Button 1 (Sub Index 9)	U8	ro	0	1	0	=
18	Button 10	See Button 1 (Sub Index 9)	U8	ro	0	1	0	=
19	Button 11	See Button 1 (Sub Index 9)	U8	ro	0	1	0	=

**Appendix: CAN+ and CANopen protocol**
*6020h Read input bit (buttons) (continued)*

Sub-index	Name	Description	Data type	Access	Minimum	Maximum	Default	Unit/Scale
20	Button 12	See Button 1 (Sub Index 9)	U8	ro	0	1	0	=
21	Button 13	See Button 1 (Sub Index 9)	U8	ro	0	1	0	=
22	Button 14	See Button 1 (Sub Index 9)	U8	ro	0	1	0	=
23	Button 15	See Button 1 (Sub Index 9)	U8	ro	0	1	0	=
24	Button 16	See Button 1 (Sub Index 9)	U8	ro	0	1	0	=
25	Button 17	See Button 1 (Sub Index 9)	U8	ro	0	1	0	=
26	Button 18	See Button 1 (Sub Index 9)	U8	ro	0	1	0	=
27	Button 19	See Button 1 (Sub Index 9)	U8	ro	0	1	0	=
28	Button 20	See Button 1 (Sub Index 9)	U8	ro	0	1	0	=
29	Button 21	See Button 1 (Sub Index 9)	U8	ro	0	1	0	=
30	Button 22	See Button 1 (Sub Index 9)	U8	ro	0	1	0	=
31	Button 23	See Button 1 (Sub Index 9)	U8	ro	0	1	0	=
32	Button 24	See Button 1 (Sub Index 9)	U8	ro	0	1	0	=
33	Button 1	0: Not Enabled 1: Enabled	U8	ro	0	1	0	=
34	Button 2	See Button 1 (Sub Index 33)	U8	ro	0	1	0	=
35	Button 3	See Button 1 (Sub Index 33)	U8	ro	0	1	0	=
36	Button 4	See Button 1 (Sub Index 33)	U8	ro	0	1	0	=
37	Button 5	See Button 1 (Sub Index 33)	U8	ro	0	1	0	=
38	Button 6	See Button 1 (Sub Index 33)	U8	ro	0	1	0	=
39	Button 7	See Button 1 (Sub Index 33)	U8	ro	0	1	0	=
40	Button 8	See Button 1 (Sub Index 33)	U8	ro	0	1	0	=
41	Button 9	See Button 1 (Sub Index 33)	U8	ro	0	1	0	=
42	Button 10	See Button 1 (Sub Index 33)	U8	ro	0	1	0	=
43	Button 11	See Button 1 (Sub Index 33)	U8	ro	0	1	0	=
44	Button 12	See Button 1 (Sub Index 33)	U8	ro	0	1	0	=
45	Button 13	See Button 1 (Sub Index 33)	U8	ro	0	1	0	=
46	Button 14	See Button 1 (Sub Index 33)	U8	ro	0	1	0	=
47	Button 15	See Button 1 (Sub Index 33)	U8	ro	0	1	0	=
48	Button 16	See Button 1 (Sub Index 33)	U8	ro	0	1	0	=
49	Button 17	See Button 1 (Sub Index 33)	U8	ro	0	1	0	=
50	Button 18	See Button 1 (Sub Index 33)	U8	ro	0	1	0	=
51	Button 19	See Button 1 (Sub Index 33)	U8	ro	0	1	0	=
52	Button 20	See Button 1 (Sub Index 33)	U8	ro	0	1	0	=
53	Button 21	See Button 1 (Sub Index 33)	U8	ro	0	1	0	=
54	Button 22	See Button 1 (Sub Index 33)	U8	ro	0	1	0	=
55	Button 23	See Button 1 (Sub Index 33)	U8	ro	0	1	0	=
56	Button 24	See Button 1 (Sub Index 33)	U8	ro	0	1	0	=

*6401h Read analog inputs 16-Bit*

Sub-index	Name	Description	Data type	Access	Minimum	Maximum	Default	Unit/Scale
0	Number of Analog Inputs 16-Bit		U8	ro	0	10	=	=
1	X-Axis Proportional		S16	ro	-1000	1000	0	%*10
2	Y-Axis Proportional		S16	ro	-1000	1000	0	%*10

Technical Information  
**JS1 Heavy Duty Joysticks**
**Appendix: CAN+ and CANopen protocol**
*6401h Read analog inputs 16-Bit (continued)*

Sub-index	Name	Description	Data type	Access	Minimum	Maximum	Default	Unit/Scale
3	Grip 1 Proportional		S16	ro	-1000	1000	0	%*10
4	Grip 2 Proportional		S16	ro	-1000	1000	0	%*10
5	Grip 3 Proportional		S16	ro	-1000	1000	0	%*10
6	Axis 5		S16	ro	-1000	1000	0	%*10
7	Axis 6		S16	ro	-1000	1000	0	%*10
8	Axis 7		S16	ro	-1000	1000	0	%*10
9	Axis 8		S16	ro	-1000	1000	0	%*10
10	Axis 9		S16	ro	-1000	1000	0	%*10

*6404h Manufacturer specific input 2-Bit*

Sub-index	Name	Description	Data type	Access	Minimum	Maximum	Default	Unit/Scale
0	Number of Mfg Specific Inputs 2-Bit		U8	ro	0	10	=	=
1	X-Axis Proportional Neutral State		U8	ro	0	3	0	00 – Neutral 01 – Out of Neutral 12 – Error 13 – Not Available
2	Y-Axis Proportional Neutral State		U8	ro	0	3	0	See Sub Index 1
3	Grip 1 Proportional Neutral State		U8	ro	0	3	0	See Sub Index 1
4	Grip 2 Proportional Neutral State		U8	ro	0	3	0	See Sub Index 1
5	Grip 3 Proportional Neutral State		U8	ro	0	3	0	See Sub Index 1
6	Axis 5 Neutral State		U8	ro	0	3	0	See Sub Index 1
7	Axis 6 Neutral State		U8	ro	0	3	0	See Sub Index 1
8	Axis 7 Neutral State		U8	ro	0	3	0	See Sub Index 1
9	Axis 8 Neutral State		U8	ro	0	3	0	See Sub Index 1
10	Axis 9 Neutral State		U8	ro	0	3	0	See Sub Index 1

*6405h Manufacturer specific reserved 16-Bit*

Sub-index	Name	Description	Data type	Access	Minimum	Maximum	Default	Unit/Scale
0	Number of Mfg Specific Reserved 16- Bit		U16	ro	0	1	=	=
1	Reserved 1		U16	ro	0	$2_{16}-1$	0	

Technical Information  
**JS1 Heavy Duty Joysticks**


---

**Appendix: CAN+ and CANopen protocol**
*6406h Manufacturer specific reserved 2-Bit*

Sub-index	Name	Description	Data type	Access	Minimum	Maximum	Default	Unit/Scale
0	Number of Mfg Specific Reserved 2- Bit		U8	ro	0	1	=	=
1	Reserved 1		U8	ro	0	3	0	

**Appendix: CAN+ and CANopen protocol**
**Error handling**
**General**

When an event classified as an error occurs, a CANopen standard error code is sent out in an EMCY message. The emergency message and its contents are shown in the table below. The emergency message follows reference CiA Draft Standard 301, Version4.0. Parts of the manufacturer specific error field are used for the more specified error definition.

*Emergency message*

Byte	0	1	2	3	4	5	6	7
Content	Emergency error code		Error register	Manufacturer specific				

**Emergency error codes**
*CANopen failure code*

Inputs	Voltage high		Voltage low		Not calibrated		Redundancy	
	Error code	Manufacturer specific	Error code	Manufacturer specific	Error code	Manufacturer specific	Error code	Manufacturer specific
X	0x3110	0x80	0x3120	0x80	0xFF10	0x80	0xFF20	0x80
Y	0x3110	0x81	0x3120	0x81	0xFF10	0x81	0xFF20	0x81
Grip X	0x3110	0x82	0x3120	0x82	0xFF10	0x82	0xFF20	0x82
Grip Y	0x3110	0x83	0x3120	0x83	0xFF10	0x83	0xFF20	0x83
Grip Theta	0x3110	0x84	0x3120	0x84	0xFF10	0x84	0xFF20	0x84

**Manufacturer specific error codes**

The manufacturer specific error codes are used to help identify which sensor has experienced failure.

*Manufacturer specific definition*

Byte 0 occurrence counter	Byte 1 sensor identifier		Byte 2 not used	Byte 3 not used
0-127	Digital inputs	0x00 - 0x3F	0	0
0-127	Digital outputs	0x40 - 0x7F	0	0
0-127	Analog inputs	0x80 - 0xBF	0	0
0-127	Analog outputs	0xC0 - 0xFF	0	0

**Error register**

The error register can also be read at index 1001h:0.

*Standard error register (bit field) for the emergency message*

Code	Bit	Value	Description
Generic	0	0	
Current	1	0	
Voltage	2	0	
Temperature	3	0	
Communication	4	0	
Device	5	0	

**Products we offer:**

- Bent Axis Motors
- Closed Circuit Axial Piston Pumps and Motors
- Displays
- Electrohydraulic Power Steering
- Electrohydraulics
- Hydraulic Power Steering
- Integrated Systems
- Joysticks and Control Handles
- Microcontrollers and Software
- Open Circuit Axial Piston Pumps
- Orbital Motors
- PLUS+1® GUIDE
- Proportional Valves
- Sensors
- Steering
- Transit Mixer Drives

**Danfoss Power Solutions** is a global manufacturer and supplier of high-quality hydraulic and electronic components. We specialize in providing state-of-the-art technology and solutions that excel in the harsh operating conditions of the mobile off-highway market. Building on our extensive applications expertise, we work closely with our customers to ensure exceptional performance for a broad range of off-highway vehicles.

We help OEMs around the world speed up system development, reduce costs and bring vehicles to market faster.

Danfoss – Your Strongest Partner in Mobile Hydraulics.

**Go to [www.powersolutions.danfoss.com](http://www.powersolutions.danfoss.com) for further product information.**

Wherever off-highway vehicles are at work, so is Danfoss. We offer expert worldwide support for our customers, ensuring the best possible solutions for outstanding performance. And with an extensive network of Global Service Partners, we also provide comprehensive global service for all of our components.

Please contact the Danfoss Power Solution representative nearest you.

**Comatrol**

[www.comatrol.com](http://www.comatrol.com)

**Turolla**

[www.turollaocg.com](http://www.turollaocg.com)

**Hydro-Gear**

[www.hydro-gear.com](http://www.hydro-gear.com)

**Daikin-Sauer-Danfoss**

[www.daikin-sauer-danfoss.com](http://www.daikin-sauer-danfoss.com)

Local address:

**Danfoss Power Solutions (US) Company**  
2800 East 13th Street  
Ames, IA 50010, USA  
Phone: +1 515 239 6000

**Danfoss Power Solutions GmbH & Co. OHG**  
Krokamp 35  
D-24539 Neumünster, Germany  
Phone: +49 4321 871 0

**Danfoss Power Solutions ApS**  
Nordborgvej 81  
DK-6430 Nordborg, Denmark  
Phone: +45 7488 2222

**Danfoss Power Solutions Trading (Shanghai) Co., Ltd.**  
Building #22, No. 1000 Jin Hai Rd  
Jin Qiao, Pudong New District  
Shanghai, China 201206  
Phone: +86 21 3418 5200

Danfoss can accept no responsibility for possible errors in catalogues, brochures and other printed material. Danfoss reserves the right to alter its products without notice. This also applies to products already on order provided that such alterations can be made without changes being necessary in specifications already agreed.  
All trademarks in this material are property of the respective companies. Danfoss and the Danfoss logotype are trademarks of Danfoss A/S. All rights reserved.