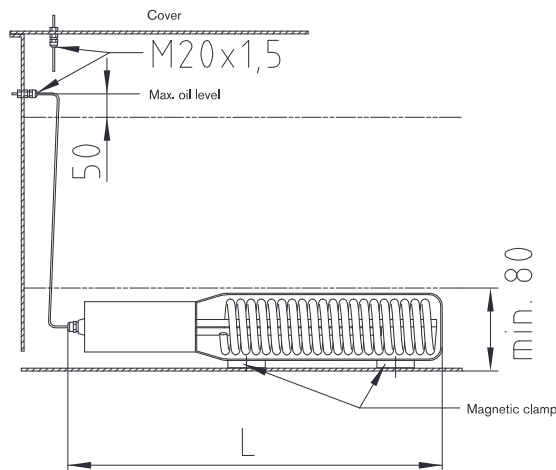


TEMPERATURE CONTROL AND MONITORING HYDRAULIC COMPONENTS

Inserted tank heaters with magnetic clamp - Type TEHM



Technical data:

Switching accuracy:	$\pm 3^\circ$
Voltage:	230V (other voltage up to a maximum of 2 x 400V available on request)
Operating temperature:	-30 °C to +80 °C
Surface load:	1,2 W/cm ² (0,6 W/cm ² on request)
Connection cable:	3 poles, 2,5 m long, incl. cable fitting M20x1.5

Inserted tank heater		
Type TEHM		
Heating capacity [Watt]	Total length L [mm]	Voltage [V]
250	265	230
500	290	230
1000	400	230

As an alternative: control of tank heater via KTR temperature controller (NVT-E/IR). In this case the temperature controller on the tank heater can be done without. Other types on request. Please observe our assembly instructions at www.ktr.com.

Ordering example:	TEHM	1000	00	1 x 230V
	Type	Heating capacity [Watt]	00 = Cut-off temperature set by the manufacturer is 20 °C 01 = Without temperature controller 35 = Requested cut-off temperature e. g. 35 °C	Voltage [V] must be specified in the order, e. g. 1 x 230V; 2 x 400V; 3 x 400V (from 1000 watts)