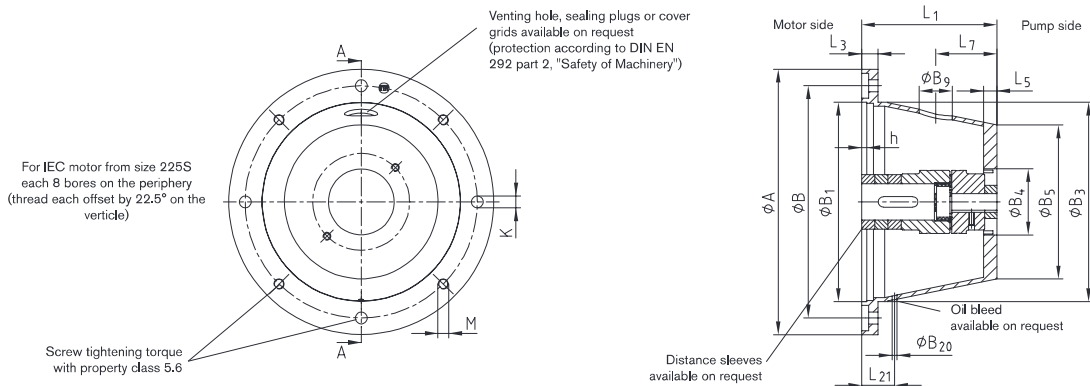
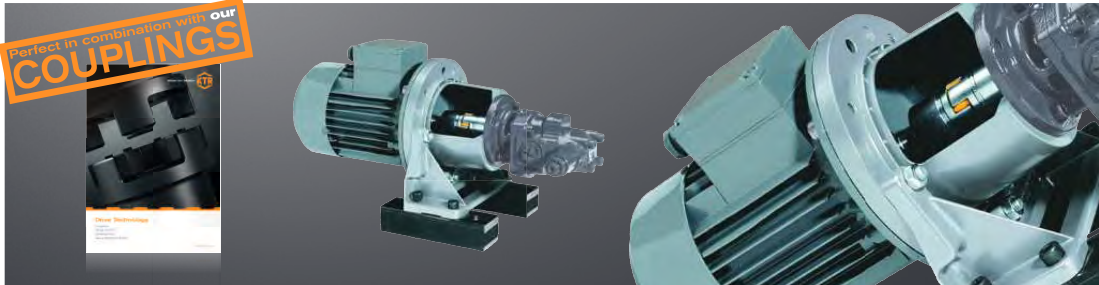


BELLHOUSING HYDRAULIC COMPONENTS

Bellhousings made of aluminium



Please specify in the order if the bellhousing is needed in oilproof design (extra charge)!

Bellhousings according to VDMA 24561 type A																				
IEC motor size (shaft end) d ₁ x l _g	kW with n = 1500 rpm	Bellhousing size	Gasket DP size	Foot flange PTFE/PTFS	Dimensions [mm]												Venting hole		Oil bleed	
					A	B	B ₁	B ₃	h	K	M	L ₁	L ₃	L ₅ ¹⁾	B ₅	B ₄	B ₉	L ₇	B ₂₀	L ₂₁
71 (14 x 30)	0.25 0.37	PK 160/5/.. PL 160/5/..	160	160	160	130	110	110	4	9	M8	80	13	8	105	29	25	33	7.5	28
												90			102	29		38		
80 (19 x 40) 90S/90L (24 x 50)	0.55 0.75 1.1 1.5	PK 200/3/.. PL 200/3/.. PL 200/8/.. PFL 200/6/..	200	200	200	165	130	145	4	11	M10	100	16	12	124	40	36	43	7.5	36
												110			140	37		47		
												124			143	40		60		
												140			180	47		62		
100L/112M (28 x 60)	2.2 3 4	PK 250/6/.. PL 250/3/.. PL 250/6/.. PL 250/4/.. PFL 250/18/..	250	250	250	215	180	190	5	14	M12	120	18	12	177	49	40	54	7.5	43
												124			126	42		52		
												135			180	58		57		
												148			180	56		64		
												175			250	75		77		
132S/132M (38 x 80)	5.5 7.5	PK 300/5/.. PL 300/15/.. PK 300/4/.. PL 300/4/.. PL 300/7/..	300	300	300	265	230	234	5	14	M12	144	20	15	205	57	50	63	7.5	45
												150			221	78		66		
												155			205	56		68		
												168			220	57		74		
160M/160L (42 x 110) 180M/180L (48 x 110)	11 15 18.5 22	PK 350/4/.. PK 350/6/.. PK 350/10/.. PL 350/7/.. PK 400/4/.. PL 400/5/..	350	350	350	300	250	260	6	17	M16	188	26	15	225	59	50	82	7.5	51
												204			56	87				
												228			248	97		102		
												256			255	88		115		
200L (55 x 110)	30	PK 400/4/.. PK 400/5/.. PL 400/5/..	400	400	400	350	300	300	6	17	M16	204	26	20	230	75	50	92	7.5	51
												228			279	95		104		
												256			290	97		118		
225S/225M (60 x 140)	37 45	PK 450/2/.. PK 450/3/.. PL 450/3/..	450	450	450	400	350	350	6	17	M16	234	26	20	260	107	50	121	7.5	51
												262			315	97		133		
												285			325					
250M (65 x 140) 280S/280M (75 x 140)	55 75 90	PK 550/8/.. PL 550/1/.. PK 550/3/.. PL 550/3/.. PL 550/2/..	550	550	550	500	450	450 ²⁾	6	17	M16	248	26	25	340	97	50	116	7.5	51
												265			360	120		125		
												275			340	97		130		
												295			360	123		140		
315S/315M (80 x 170)	110 132 160 200	PK 660/2/.. PL 660/5/.. PL 660/2/.. PL 660/4/..	660	660	660	600	550	550 ²⁾	8	22	M20	315	32	30	400	150	50	135	7.5	60
												310			410	120		147		
												330			490	174		163		
												395			500	197		190		
355L/400M (100 x 210)	355 710	PL 800/1/.. PK 800/3/..	880	800	800	740	680	680 ²⁾	8	22	M20	370	40	36	500	148	50	135	7.5	70
												395			487	160				

Other types of bellhousings

IEC motor size (shaft end) d ₁ x l ₃	kW with n = 1500 rpm	Bellhousing size	Gasket DP size	Foot flange PTFE/PTFS *)	Dimensions [mm]																
															Min.		Venting hole		Oil bleed		
					A	B	B ₁	B ₃	h	K	M	L ₁	L ₃	L ₅ ¹⁾	B ₅	B ₄	B ₉	L ₇	B ₂₀	L ₂₁	
71 (14 x 30)	0.25	PFK 160/6/..	160	160	160	130	110	110	4	9	M8	79	13	13	140	30	25	35	7.5	28	
	0.37	PFL 160/6/..										101			60	60	46				
80 (19 x 40)	0.55	PK 200/11/..										45		10		97	10	15		30	
	0.75	PL 200/11/..										55			144	30	36	71	7.5	36	
90S/90L (24 x 50)	1.1	PK 200/13/..	200	200	200	165	130	145	4	11	M10	79	16	12		142	37	25	30		
	1.5	PK 200/30/..										79			186	77	40	69			
100L/112M (28 x 60)	2.2	PK 250/13/..										61	18	12		187	97	10	20	7.5	43
	3	PL 250/15/..	250	250	250	215	180	190	5	14	M12	79				186	74	40	39		
		PK 250/17/..										100				225	95	40	45		
	132S/132M (38 x 80)	5.5	PK 300/8/..										110				225	95	40	45	
7.5		PK 300/9/..										85				97	30	32			
		PL 300/9/..	300	300	300	265	230	234	5	14	M12	99	20	15	231	97	40	37	7.5	45	
160M/160L (42 x 110)	11	PK 350/8/..										204	25	15		259	53		90		
	15	PK 350/11/..										130				252	97		52		
180M/180L (48 x 110)	18.5	PL 350/11/..	350	350	350	300	250	260	6	17	M16	146	26	18		92	50	60	7.5	51	
	22	PK 350/18/..										159		15		244	89		67		
200L (55 x 110)	30	PL 350/18/..										184				252	79		80		
		PL 400/3/..										165				290	97		73		
	PK 400/12/..	400	400	400	350	300	300	6	17	M16	170	25	20		260	95	50	75	7.5	51	
	PL 400/12/..										184					82					
225S/225M (60 x 140)	37	PK 450/5/..										165	25			260		73			
		PL 450/5/..										185				325		83			
	45	PK 450/6/..	450	450	450	400	350	350	6	17	M16	176	26	20		259	98	50	80	7.5	51
		PFL 450/9/..										253				370	137		116		
250M (65 x 140)	55	PK 450/12/..										204				260	97		90		
		PK 550/4/..										190/192		26	355	129		88			
	75	PL 550/4/..	550	550	550	500	450	450 ²⁾	6	17	M16	207	26			330	124	50	96	7.5	51
315S/315M (80 x 170)	160	PK 550/8/..										217		25		340	97		100		
	110	PK 660/3/..	660	660	660	600	550	550 ²⁾	8	22	M20	247	32	30		465	122	50	115	7.5	60
355L/400M (100 x 210)	160	PL 660/3/..										260				340	156		122		
	355	PK 800/1/..	800	900	800	740	680	680 ³⁾	8	22	M20	335	40	36		520	149	50	140	7.5	70
	710	P 800/3/..									443	37	38		500	305		206			

Venting hole and sealing plugs available on request.
 (Protection according to DIN EN 292 part 2, „Safety of Machinery“)

Please specify in the order if the bellhousing is needed in oilproof design (extra charge)!

¹⁾ Bottom of pot does not consist of solid material → ribbed

²⁾ Passing from dimension B₃ to flange radius R = 5

³⁾ For vertical or lateral mounting on the tank, gaskets (type DP, see page 25) are available. For the detailed order designation please refer to our PC/Internet selection program or specify the IEC motor size and detailed pump type for selection. If venting holes or oil bleeds are required, please specify in your order.

Ordering example:	PL	PK	P	450	3	8
	Bellhousing type, long	Bellhousing type, short	Former bellhousing type	Flange diameter of IEC Motor	Serial model code	In-house modification code

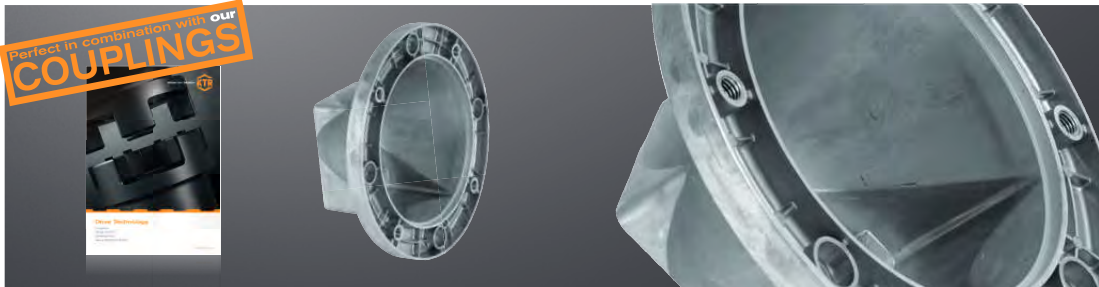
For continuously updated data please refer to our online catalogue at www.ktr.com

15

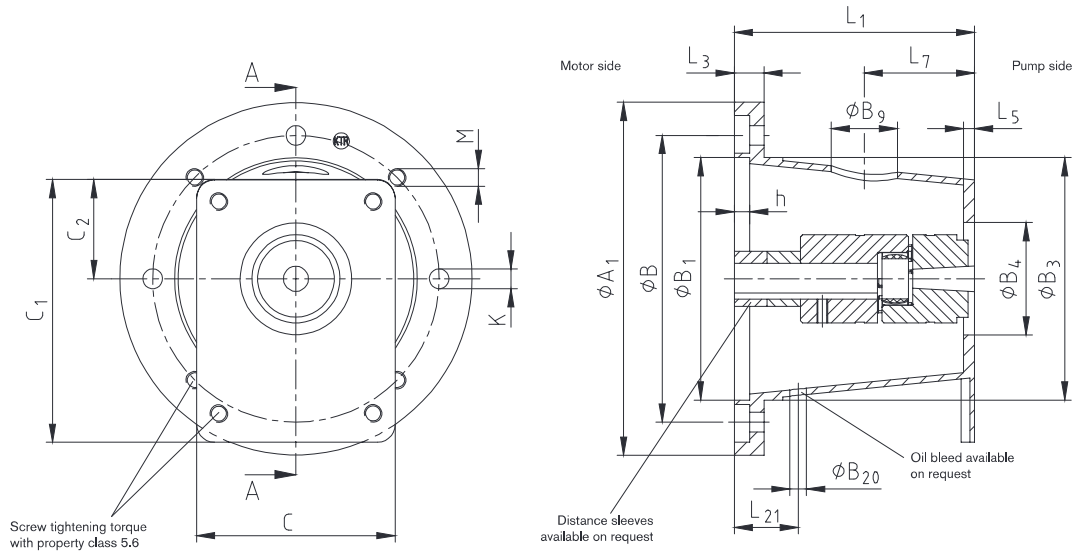
Archivierung: 06/2020

BELLHOUSING HYDRAULIC COMPONENTS

Bellhousings with rectangular flange



Bellhousings with rectangular flange



Please specify in the order if the bellhousing is needed in oilproof design (extra charge)!

Bellhousings made of aluminium with rectangular flanges																									
IEC motor size	kW with n = 1500 rpm	Bellhousing size	Gasket DP size	Foot flange PTFE/PTFS	Dimensions [mm]																Min.	Venting hole		Oil bleed	
					A ₁	B	B ₁	B ₃	h	K	M	L ₁	L ₃	L ₅	C	C ₁	C ₂	B ₄	B ₉	L ₇		B ₂₀	L ₂₁		
71	0,25 0,37	PL 160/1/..	160	160	160	130	110	110	4	9	M8	70	13	8	70	91	35	20	16	27	7,5	28			
		PL 160/4/..										110											50		
		PK 160/4/..										95											43		
80 90S/90L	0,55 - 1,5	PL 200/1/..	200	200	200	165	130	145	4	11	M10	90	16	12	70	91	35	22	25	37	7,5	36			
		PL 200/2/..										100											42		
		PL 250/1/..										110											45		
100L/112M	2,2 3	PL 250/2/..	250	250	250	215	180	190	5	14	M12	115	18	12	120	150	53	47	36	47	7,5	43			
		PL 250/7/..										125											52		
		PL 300/1/..										132											56		
132S/132M	5,5 7,5	PK 300/2/..	300	300	300	265	230	234	5	14	M12	137	20	15	145	180	64	33	50	59	7,5	45			
		PL 350/1/..										171											73		
160M/160L	11	PL 350/2/..	350	350	350	300	250	260	6	18	M16	181	25	15	120	156	59	33	50	73	7,5	51			
180M/180L	- 22	PL 350/2/..										181											78		

If venting holes or oil bleeds are required, please specify in your order.

Ordering example:	PL	PK	250	2	8
		Bellhousing type, long	Bellhousing type, short	Flange diameter of IEC motor	Serial model code