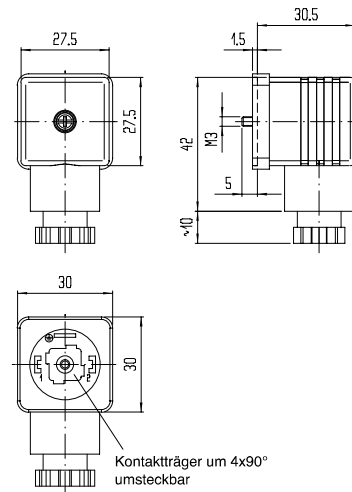


Cable Socket - Type ESG-182

Product group	71	2-pole + PE contact	(preferred types bold print)					
Cable gland	for cable ø	Housing colour	Operating current [A] at ambient temperature up to		Pack unit	Type	Order number	Price
			75 °C	90 °C				
Pg 9	6 - 8	black	10	7	100	ESG-182-09-N-G11	701021	o. r.
Pg 11	8 - 10	black	10	7	100	ESG-182-11-N-G11	701023	o. r.
Characteristics								
Constructional design			DIN 43650 construction A suitable for AVS Römer solenoid housings type E30 and E44					
Nominal voltage			250 V AC, 300 V DC					
Nominal current 1 mm ² and 1.5 mm ² :			16 A					
Nominal current 0.75 mm ² :			13 A					
Temp. range with profile seal G13			-40 °C to +90 °C					
Protection class			IP 65 EN 60529					
Isolation			Group C according to VDE 0110					
Connection			max. 1.5 mm ²					
Housing material			PA (polyamide)					
Profile seal G11 material			NBR (nitrile rubber)					
Scope of delivery:			Cable socket, profile seal G 11, installation screw M3					

Illustration


Home

Cable Socket - Type ESG-183

Product group	71	3-pole + PE contact	(preferred type bold print)					
Cable gland	for cable ø	Housing colour	Operating current [A] at ambient temperature up to		Pack unit	Type	Order number	Price
			75 °C	90 °C				
Pg 9	6 - 8	black	10	7	100	ESG-183-09-N-G11	701071	o. r.
Pg 11	8 - 10	black	10	7	100	ESG-183-11-N-G11	701073	o. r.
Characteristics								
Constructional design			DIN 43650 construction A suitable for AVS Römer electro-ball valve type EKH					
Nominal voltage			250 V AC, 300 V DC					
Nominal current 1 mm ² and 1.5 mm ² :			16 A					
Nominal current 0.75 mm ² :			13 A					
Temp. range with profile seal G13			-40 °C to +90 °C					
Protection class			IP 65 EN 60529					
Isolation			Group C according to VDE 0110					
Connection			max. 1.5 mm ²					
Housing material			PA (polyamide)					
Profile seal G11 material			NBR (nitrile rubber)					
Scope of delivery:			Cable socket, profile seal G 11, installation screw M3					

Illustration
