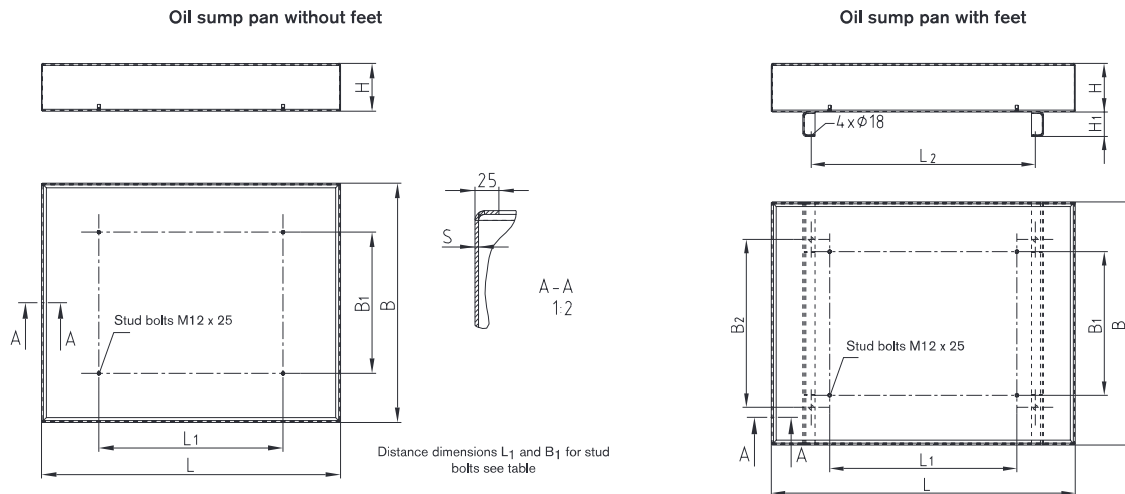


OIL SUMP PANS HYDRAULIC COMPONENTS

Oil sump pans for steel tanks



Oil sump pans for **BEK tanks** on request.

All oil sump pans available with type label and certificates following WHG (Water Resources Act) at an extra charge (please specify in your order).

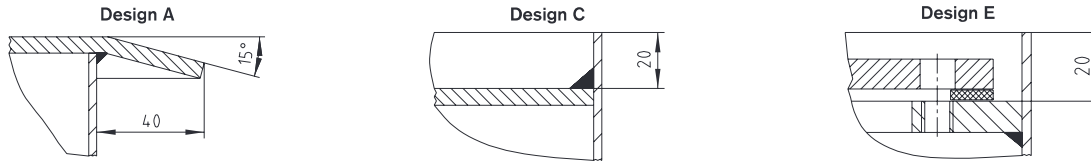
Oil sump pan for BSK and BNK														
Order description	Effective vol. [Litre]	Weight [kg]		Tank dimensions [mm]										
		Without feet	With feet	L	L ₁		L ₂	B	B ₁		B ₂	H	H ₁	S
		BSK	BNK		BSK	BNK			BSK	BNK				
63	74	22	30	700	428	308	420	600	315	285	365	200	100	3
100	105	29	38	850	553	393	545	700	414	360	460	200	100	3
160	160	36	47	1000	730	570	722	800	544	490	590	200	100	3
200	200	42	54	1100	820	-	812	850	594	-	640	220	100	3
250	250	50	64	1250	930	770	922	1000	644	590	690	200	100	3
300	300	57	69	1400	1128	-	1120	900	654	-	700	250	100	3
400	400	72	87	1720	1434	1274	1426	980	689	635	735	250	100	3
630	630	93	112	1810	-	1274	1426	1190	-	845	945	300	100	3
800	800	110	138	2410	-	1774	1926	1190	-	800	900	300	100	3
1000	1000	123	155	2420	-	1774	1926	1380	-	965	1065	300	100	3
1250	1250	156	184	2380	-	1774	1926	1770	-	1235	1335	300	100	3
1600	1600	280	310	2760	-	1774	1926	2070	-	1330	1805	300	100	4
2000	2000	420	470	3200	-	2070	2272	2250	-	1450	1985	300	100	5

Ordering example:	Ö	63	BSK	F
	Oil sump pan	Nominal size of tank	Tank type	F = with feet O = without feet

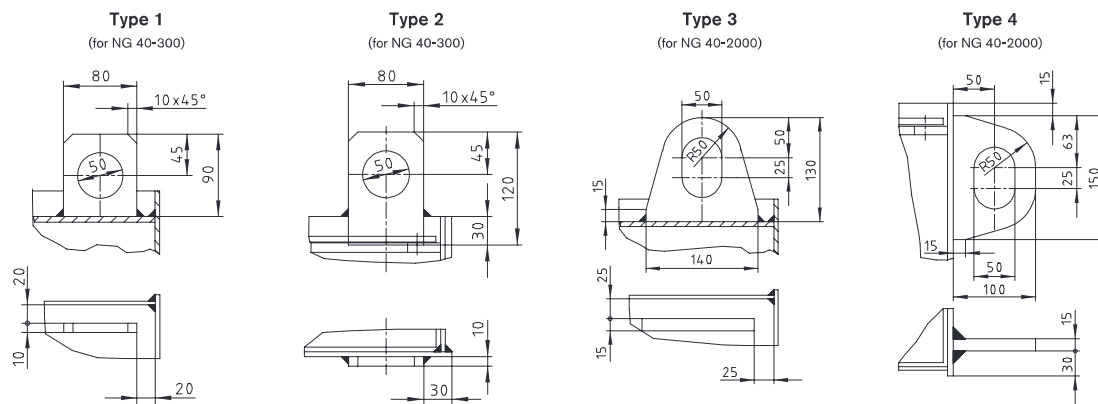
STEEL TANKS TYPE BNK HYDRAULIC COMPONENTS

Cover design, transport eyes, separation sheet metals and seams

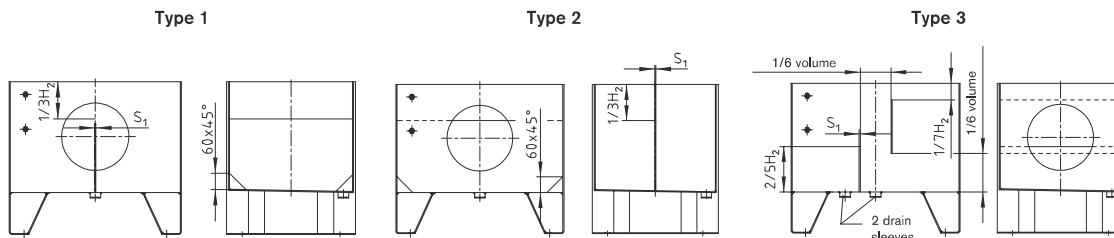
Cover designs for DIN tanks of the BKN series:



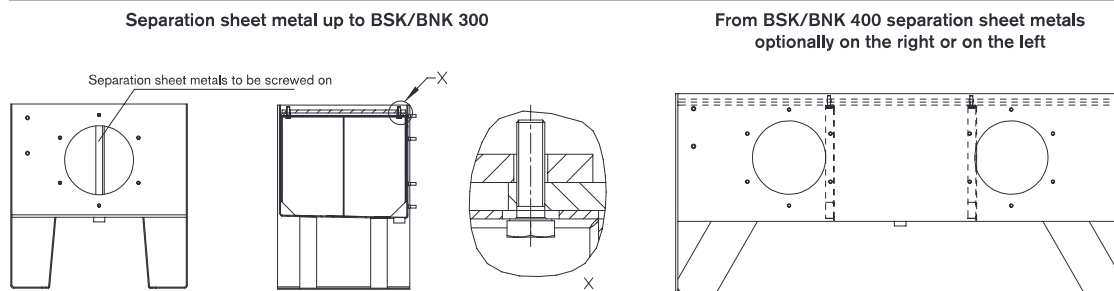
Transport eyes:



Separation sheet metals:



Separation sheet metals to be screwed on:



Seams:

