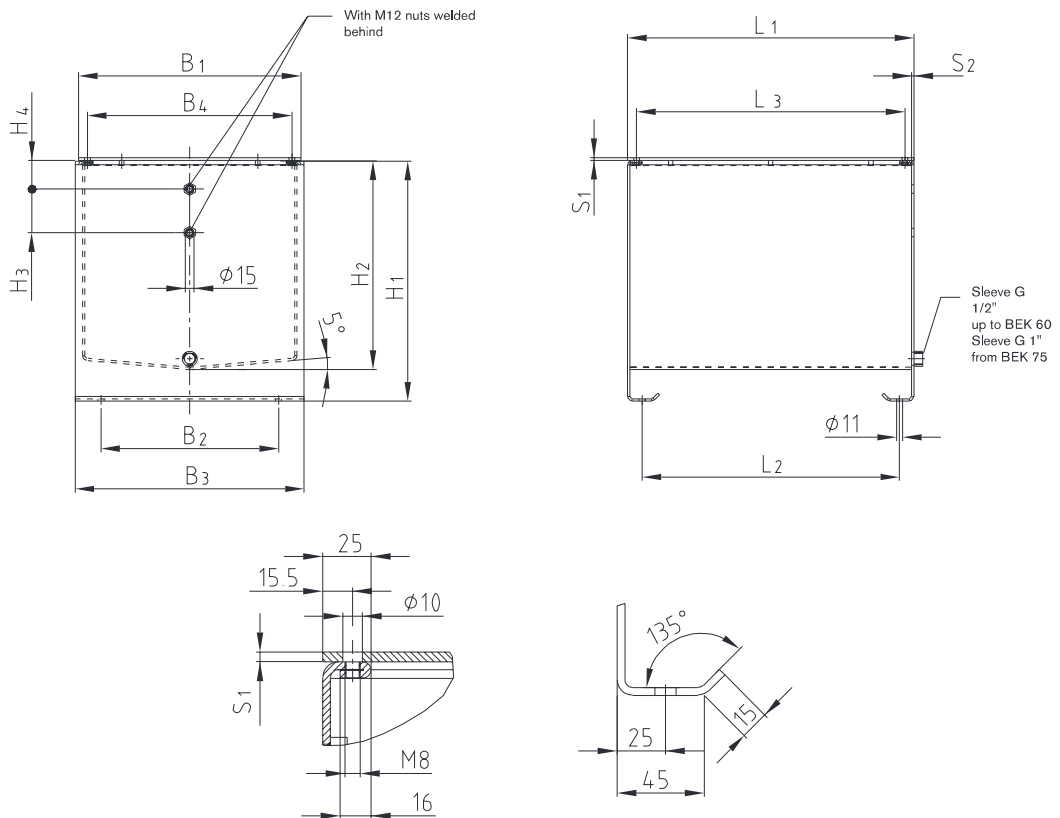


STEEL TANK BEK HYDRAULIC COMPONENTS

Series BEK



Series BEK, NG 12 - 300														
Order description	Effective vol. [Litre]	Weight [kg]	Tank dimensions [mm]										Tank complete available from stock	
			L ₁	L ₂	B ₁	B ₂	B ₃	H ₁	H ₂	H ₃	H ₄	S ₂		
NG														Cover type E
BEK 12	16	17	310	260	298	220	310	275	220	76	50	4	●	
BEK 20	26	23	400	350	298	220	310	325	270	76	50	4	●	
BEK 35	40	30	470	420	298	220	310	400	345	76	50	4	●	
BEK 50	58	40	500	450	388	310	400	420	365	76	50	4	●	
BEK 60	69	43	550	500	388	310	400	445	390	76	50	4	●	
BEK 75	85	46	550	500	388	310	400	530	475	127	50	4	●	
BEK 100	109	54	700	650	388	310	400	530	475	127	50	4	●	
BEK 150	175	79	750	700	488	410	500	620	565	127	80	4	●	
BEK 225	267	115	900	850	588	510	600	650	595	127	80	4	●	
BEK 300	339	127	900	850	688	610	700	700	645	127	80	4	●	

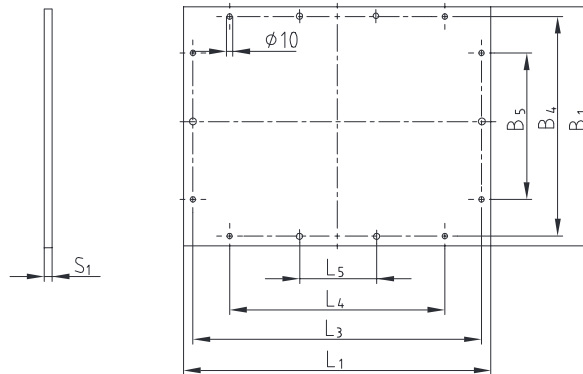
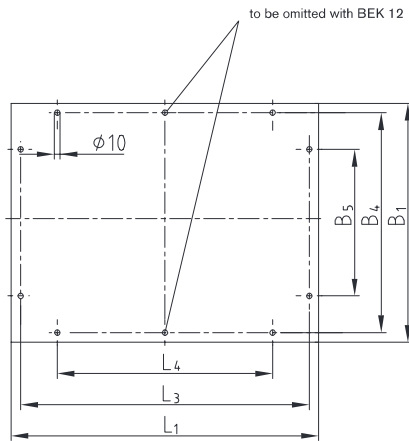
● = Standard programme available from stock and in short term.

Ordering example:	BEK	100	E
	KTR standard tank	Nominal size of tank	Cover type "E"

Tank cover
 Cover type E

up to NG 75

from NG 100



NG	Dimensions [mm]								Number of bores
	S ₁	L ₁	B ₁	L ₃	B ₄	L ₄	B ₅	L ₅	
12	4	310	298	279	267	160	148	-	8
20	4	400	298	369	267	250	148	-	10
35	5	470	298	439	267	320	148	-	10
50	5	500	388	469	357	350	238	-	10
60	5	550	388	519	357	400	238	-	10
75	5	550	388	519	357	400	238	-	10
100	6	700	388	669	357	550	238	184	14
150	6	750	488	719	457	600	338	200	14
225	8	900	588	869	557	750	438	250	14
300	8	900	688	869	657	750	538	250	14

Scope of delivery:

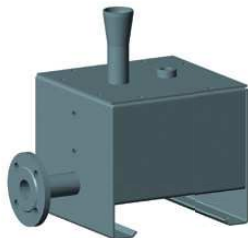
- Drilling pattern for oil level indicator K001/K002
- Cover gasket NBR 15 x 5 self-adhesive
- Cover fastening screws
- Oil drain plug G 1"/G 1/2"

Please contact us:

- Tanks are available without tank cover on request
- We will be pleased to paint your tanks as specified by you
- We will be pleased to do remachining (e. g. additional sleeves, drilling holes, etc.)
- Accessories such as fillers, oil level indicators, heaters, etc. can be additionally ordered from the KTR scope of delivery
- We are able to produce all tanks from stainless steel

Coating:

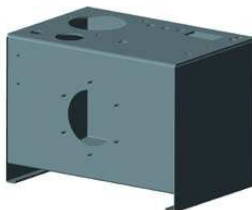
- Our tanks are primed with mineral oil-resistant 2K-EP paint as a standard

Tanks type BEK with remachining


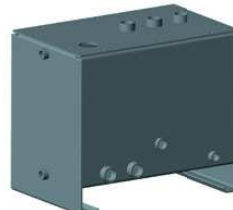
BEK 50



BEK 150



BEK 225



BEK 100