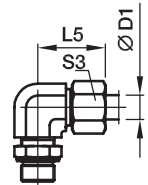
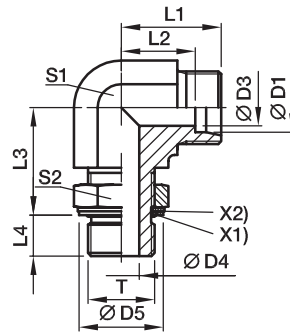


WEE-R Einstellbarer Winkelstutzen mit Kontermutter

EO 24° Anschluss / Zöll. Einschraubzapfen, einstellbar – O-Ring + Kammerring (ISO 1179) für Einschraublöcher mit schmaler und breiter Ausdrehung; bei Abweichungen in D5 ist Edelstahl nur für breite Ausdrehung geeignet (z. B. WEE16SRBOMD71)



X1) O-Ring OR
X2) Kammerring

| Bau-Reihe | D1 | T | D3 | D4 | D5 ⁵⁾ | D5 ⁶⁾ | L1 | L2 | L3 | L4 | L5 | S1 | S2 | S3 | Gewicht g/1 St. | Bestellzeichen* | PN (bar) ¹⁾ | |
|------------------|----|-----------|------|------|------------------|------------------|----|------|----|------|----|----|----|----|-----------------|-----------------|------------------------|-----|
| | | | | | | | | | | | | | | | | | CF | 71 |
| LL ²⁾ | 04 | G 1/8 A | 3.0 | 4.5 | 15 | | 15 | 11.3 | 20 | 7.1 | 21 | 11 | 14 | 10 | 27 | WEE04LLROMD | 100 | |
| | 06 | G 1/8 A | 4.5 | 4.5 | 15 | | 15 | 11.3 | 20 | 7.1 | 21 | 11 | 14 | 12 | 27 | WEE06LLROMD | 100 | |
| L ³⁾ | 06 | G 1/8 A | 4.0 | 4.5 | 15 | 15.0 | 21 | 14.0 | 19 | 7.0 | 29 | 14 | 14 | 14 | 40 | WEE06LROMD | 315 | 315 |
| | 08 | G 1/4 A | 6.0 | 7.5 | 20 | 19.5 | 23 | 16.0 | 23 | 9.0 | 31 | 14 | 19 | 17 | 59 | WEE08LROMD | 315 | 315 |
| | 10 | G 1/4 A | 8.0 | 7.5 | 20 | 19.5 | 24 | 17.0 | 25 | 9.0 | 32 | 19 | 19 | 19 | 82 | WEE10LROMD | 315 | 315 |
| | 12 | G 3/8 A | 10.0 | 10.0 | 23 | 23.5 | 26 | 19.0 | 28 | 9.0 | 34 | 19 | 22 | 22 | 96 | WEE12LROMD | 250 | 250 |
| | 15 | G 1/2 A | 12.0 | 12.5 | 28 | 28.5 | 28 | 21.0 | 30 | 13.0 | 36 | 22 | 27 | 27 | 149 | WEE15LROMD | 250 | 250 |
| | 18 | G 1/2 A | 15.0 | 12.5 | 28 | 28.5 | 31 | 24.0 | 36 | 13.0 | 40 | 27 | 27 | 32 | 221 | WEE18LROMD | 250 | 250 |
| | 22 | G 3/4 A | 19.0 | 15.5 | 33 | 34.5 | 35 | 28.0 | 36 | 13.0 | 44 | 30 | 36 | 36 | 310 | WEE22LROMD | 160 | 160 |
| | 28 | G 1 A | 24.0 | 21.5 | 41 | 43.5 | 38 | 31.0 | 44 | 15.0 | 47 | 36 | 41 | 41 | 455 | WEE28LROMD | 160 | 160 |
| | 35 | G 1 1/4 A | 30.0 | 27.5 | 51 | 52.5 | 48 | 38.0 | 50 | 15.0 | 59 | 50 | 50 | 50 | 1043 | WEE35LROMD | 160 | 160 |
| | 42 | G 1 1/2 A | 36.0 | 33.0 | 56 | 60.0 | 49 | 38.0 | 52 | 15.0 | 61 | 50 | 55 | 60 | 994 | WEE42LROMD | 160 | 160 |
| S ⁴⁾ | 06 | G 1/4 A | 4.0 | 7.5 | 20 | 19.5 | 22 | 15.0 | 23 | 9.0 | 30 | 14 | 19 | 17 | 56 | WEE06SROMD | 315 | 315 |
| | 08 | G 1/4 A | 5.0 | 7.5 | 20 | 19.5 | 24 | 17.0 | 27 | 9.0 | 32 | 19 | 19 | 19 | 88 | WEE08SROMD | 315 | 315 |
| | 10 | G 3/8 A | 7.0 | 10.0 | 23 | 23.5 | 25 | 18.0 | 29 | 9.0 | 34 | 19 | 22 | 22 | 98 | WEE10SROMD | 250 | 250 |
| | 12 | G 3/8 A | 8.0 | 10.0 | 23 | 23.5 | 29 | 22.0 | 29 | 9.0 | 38 | 22 | 22 | 24 | 128 | WEE12SROMD | 250 | 250 |
| | 16 | G 1/2 A | 12.0 | 12.5 | 28 | 28.5 | 33 | 25.0 | 36 | 13.0 | 43 | 27 | 27 | 30 | 234 | WEE16SROMD | 250 | 250 |
| | 20 | G 3/4 A | 16.0 | 15.5 | 33 | 34.5 | 38 | 28.0 | 39 | 12.0 | 49 | 30 | 36 | 36 | 344 | WEE20SROMD | 250 | 250 |
| | 25 | G 1 A | 20.0 | 21.5 | 41 | 43.5 | 42 | 30.0 | 44 | 14.0 | 54 | 36 | 41 | 46 | 533 | WEE25SROMD | 250 | 250 |
| | 30 | G 1 1/4 A | 25.0 | 27.5 | 51 | 52.5 | 49 | 36.0 | 49 | 15.0 | 62 | 50 | 50 | 50 | 1085 | WEE30SROMD | 160 | 160 |
| | 38 | G 1 1/2 A | 32.0 | 33.0 | 56 | 60.0 | 50 | 34.0 | 55 | 15.0 | 65 | 50 | 55 | 60 | 1116 | WEE38SROMD | 160 | 160 |

1) Druckwert genannt = Artikel lieferbar

2) LL = Sehr leichte Baureihe; 3) L = Leichte Baureihe; 4) S = Schwere Baureihe

$$\frac{PN \text{ (bar)}}{10} = PN \text{ (MPa)}$$

Lieferung ohne Mutter und Schneidring. Hinweise zum Bestellen von Komplettverschraubungen bzw. alternativen Dichtungsmaterialien siehe Seite 17.

5) Stahl; 6) Edelstahl

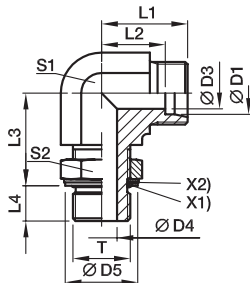
*Ergänzen Sie bitte die Bestellzeichen mit den Kennbuchstaben für das gewünschte Material.

| Bestellzeichen-Ergänzungen | | | |
|------------------------------|--|---------------|--|
| Material | Kennbuchstaben Oberfläche und Material | Beispiel | Standard-Dichtungswerkstoff (keine zusätzl. Kennbuchstaben erforderlich) |
| Stahl, verzinkt, Cr(VI)-frei | CF | WEE16SROMDCF | NBR |
| Edelstahl | 71 | WEE16SRBOMD71 | VIT |

Einstellbarer Winkelstutzen, T-Stutzen, L-Stutzen oder 45°-Winkelstutzen

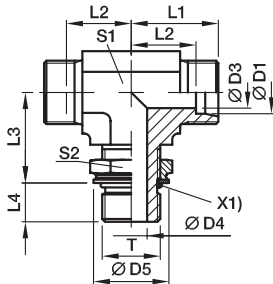
Datenblätter auf Anfrage!

WEE Einstellbarer Winkelstutzen mit Kontermutter EO 24°-Anschluss/Einschraubzapfen einstellbar



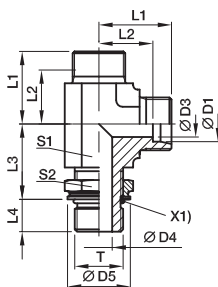
| T | Bestellzeichen | Oberfläche |
|-------------------------------------|----------------|------------|
| Metr. Gewinde – O-Ring + Kammerring | WEE...MOMD | CF |
| Metr. Gewinde – O-Ring (ISO 6149) | WEE...MOROMD | CF |
| UN/UNF-Gewinde – O-Ring (ISO 11926) | WEE...UNFOMD | CF |

TEE Einstellbarer T-Stutzen mit Kontermutter EO 24°-Anschluss/Einschraubzapfen einstellbar



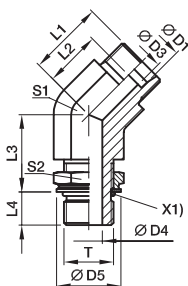
| T | Bestellzeichen | Oberfläche |
|---|----------------|------------|
| Metr. Gewinde – O-Ring + Kammerring | TEE...MOMD | CF |
| Metr. Gewinde – O-Ring (ISO 6149) | TEE...MOROMD | CF |
| UN/UNF-Gewinde – O-Ring (ISO 11926) | TEE...UNFOMD | CF |
| BSPP-Gewinde – O-Ring + Kammerring (ISO 1179) | TEE...ROMD | CF |

LEE Einstellbarer L-Stutzen mit Kontermutter EO 24°-Anschluss/Einschraubzapfen einstellbar



| T | Bestellzeichen | Oberfläche |
|---|----------------|------------|
| Metr. Gewinde – O-Ring + Kammerring | LEE...MOMD | CF |
| Metr. Gewinde – O-Ring (ISO 6149) | LEE...MOROMD | CF |
| UN/UNF-Gewinde – O-Ring (ISO 11926) | LEE...UNFOMD | CF |
| BSPP-Gewinde – O-Ring + Kammerring (ISO 1179) | LEE...ROMD | CF |

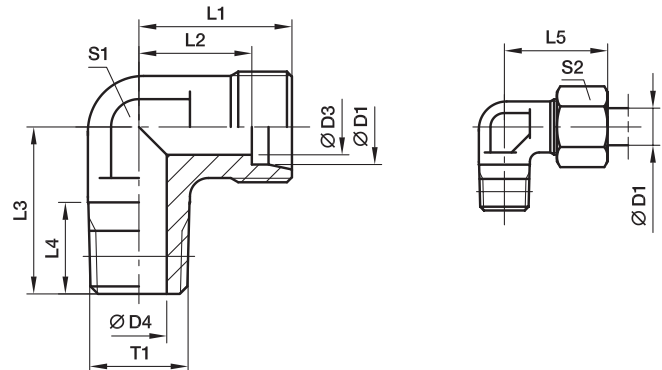
VEE Einstellbarer 45°-Winkelstutzen mit Kontermutter EO 24°-Anschluss/Einschraubzapfen einstellbar



| T | Bestellzeichen | Oberfläche |
|---|----------------|------------|
| Metr. Gewinde – O-Ring + Kammerring | VEE...MOMD | CF |
| Metr. Gewinde – O-Ring (ISO 6149) | VEE...MOROMD | CF |
| UN/UNF-Gewinde – O-Ring (ISO 11926) | VEE...UNFOMD | CF |
| BSPP-Gewinde – O-Ring + Kammerring (ISO 1179) | VEE...ROMD | CF |

WE-NPT Winkel-Einschraubstutzen

EO 24° Anschluss / NPT Einschraubzapfen (SAE J476)



| Bau-Reihe | D1 | T1 | D3 | D4 | L1 | L2 | L3 | L4 | L5 | S1 | S2 | Gewicht g/1 St. | Bestellzeichen* | PN (bar) ¹⁾ | | |
|------------------|----------------|----------------|------|------|------|------|------|------|----|----|-----|--------------------|-----------------|------------------------|-----|-----|
| | | | | | | | | | | | | | | CF | 71 | MS |
| LL ²⁾ | 04 | 1/8-27 NPT | 3.0 | 4.0 | 15 | 11.0 | 17 | 10.0 | 21 | 9 | 10 | 18 | WE04LL1/8NPT | 100 | | |
| | 06 | 1/8-27 NPT | 4.5 | 4.5 | 15 | 9.5 | 17 | 10.0 | 21 | 9 | 12 | 17 | WE06LL1/8NPT | 100 | | |
| | 08 | 1/8-27 NPT | 6.0 | 5.0 | 17 | 11.5 | 20 | 10.0 | 23 | 12 | 14 | 25 | WE08LL1/8NPT | 100 | | |
| L ³⁾ | 06 | 1/8-27 NPT | 4.0 | 4.0 | 19 | 12.0 | 20 | 10.0 | 27 | 12 | 14 | 29 | WE06L1/8NPT | 315 | 315 | 200 |
| | 06 | 1/4-18 NPT | 4.0 | 7.0 | 21 | 14.0 | 26 | 14.5 | 29 | 12 | 14 | 44 | WE06L1/4NPT | 315 | 315 | 200 |
| | 06 | 3/8-18 NPT | 4.0 | 8.0 | 25 | 18.0 | 28 | 14.5 | 33 | 17 | 14 | 55 | WE06L3/8NPT | 315 | 315 | 200 |
| | 08 | 1/8-27 NPT | 6.0 | 4.0 | 21 | 14.0 | 26 | 10.0 | 29 | 12 | 17 | 48 | WE08L1/8NPT | 315 | 315 | 200 |
| | 08 | 1/4-18 NPT | 6.0 | 6.0 | 21 | 14.0 | 26 | 14.5 | 29 | 12 | 17 | 47 | WE08L1/4NPT | 315 | 315 | 200 |
| | 10 | 1/4-18 NPT | 8.0 | 7.0 | 22 | 15.0 | 27 | 14.5 | 30 | 14 | 19 | 61 | WE10L1/4NPT | 315 | 315 | 200 |
| | 10 | 3/8-18 NPT | 8.0 | 8.0 | 24 | 17.0 | 28 | 14.5 | 32 | 17 | 19 | 92 | WE10L3/8NPT | 315 | 315 | 200 |
| | 12 | 1/4-18 NPT | 10.0 | 7.0 | 24 | 17.0 | 28 | 14.5 | 32 | 17 | 22 | 82 | WE12L1/4NPT | 315 | 315 | 200 |
| | 12 | 3/8-18 NPT | 10.0 | 8.0 | 24 | 17.0 | 28 | 14.5 | 32 | 17 | 22 | 92 | WE12L3/8NPT | 315 | 315 | 200 |
| | 12 | 1/2-14 NPT | 10.0 | 11.0 | 28 | 21.0 | 34 | 19.5 | 36 | 19 | 22 | 90 | WE12L1/2NPT | 315 | 315 | 200 |
| | 15 | 1/2-14 NPT | 12.0 | 11.0 | 28 | 21.0 | 34 | 19.5 | 36 | 19 | 27 | 89 | WE15L1/2NPT | 315 | 315 | 200 |
| | 18 | 1/2-14 NPT | 15.0 | 12.0 | 31 | 23.5 | 36 | 19.5 | 40 | 24 | 32 | 150 | WE18L1/2NPT | 315 | 315 | 200 |
| | 22 | 3/4-14 NPT | 19.0 | 16.0 | 35 | 27.5 | 42 | 19.5 | 44 | 27 | 36 | 176 | WE22L3/4NPT | 160 | 160 | 100 |
| | 28 | 1-11.5 NPT | 24.0 | 21.0 | 38 | 30.5 | 48 | 24.5 | 47 | 36 | 41 | 314 | WE28L1NPT | 160 | 160 | 100 |
| | 35 | 1 1/4-11.5 NPT | 30.0 | 28.0 | 45 | 34.5 | 54 | 25.0 | 56 | 41 | 50 | 465 | WE35L11/4NPT | 160 | 160 | 100 |
| 42 | 1 1/2-11.5 NPT | 36.0 | 34.0 | 51 | 40.0 | 61 | 26.0 | 63 | 50 | 60 | 849 | WE42L11/2NPT | 160 | 160 | 100 | |
| S ⁴⁾ | 06 | 1/4-18 NPT | 4.0 | 4.0 | 23 | 16.0 | 26 | 14.5 | 31 | 12 | 17 | 56 | WE06S1/4NPT | 630 | 630 | 400 |
| | 08 | 1/4-18 NPT | 5.0 | 5.0 | 24 | 17.0 | 27 | 14.5 | 32 | 14 | 19 | 73 | WE08S1/4NPT | 630 | 630 | 400 |
| | 08 | 3/8-18 NPT | 5.0 | 8.0 | 25 | 18.0 | 28 | 14.5 | 33 | 17 | 19 | 77 | WE08S3/8NPT | 630 | 630 | 400 |
| | 08 | 1/2-14 NPT | 5.0 | 10.0 | 30 | 23.0 | 34 | 19.5 | 38 | 19 | 19 | 75 | WE08S1/2NPT | 630 | 630 | 400 |
| | 10 | 1/4-18 NPT | 7.0 | 5.0 | 25 | 17.5 | 28 | 14.5 | 34 | 17 | 22 | 96 | WE10S1/4NPT | 630 | 630 | 400 |
| | 10 | 3/8-18 NPT | 7.0 | 7.0 | 25 | 17.5 | 28 | 14.5 | 34 | 17 | 22 | 98 | WE10S3/8NPT | 630 | 630 | 400 |
| | 12 | 1/4-18 NPT | 8.0 | 5.0 | 29 | 21.5 | 29 | 14.5 | 38 | 17 | 24 | 73 | WE12S1/4NPT | 630 | 630 | 400 |
| | 12 | 3/8-18 NPT | 8.0 | 8.0 | 29 | 22.5 | 28 | 14.5 | 38 | 17 | 24 | 123 | WE12S3/8NPT | 630 | 630 | 400 |
| | 12 | 1/2-14 NPT | 8.0 | 10.0 | 30 | 22.5 | 34 | 19.5 | 39 | 19 | 24 | 107 | WE12S1/2NPT | 630 | 630 | 400 |
| | 16 | 1/2-14 NPT | 12.0 | 12.0 | 33 | 24.5 | 36 | 19.5 | 43 | 24 | 30 | 157 | WE16S1/2NPT | 400 | 400 | 250 |
| | 20 | 3/4-14 NPT | 16.0 | 16.0 | 37 | 26.5 | 42 | 19.5 | 48 | 27 | 36 | 205 | WE20S3/4NPT | 400 | 400 | 250 |
| | 25 | 1-11.5 NPT | 20.0 | 20.0 | 42 | 30.0 | 48 | 24.5 | 54 | 36 | 46 | 381 | WE25S1NPT | 400 | 400 | 250 |
| | 30 | 1 1/4-11.5 NPT | 25.0 | 25.0 | 49 | 35.5 | 54 | 25.0 | 62 | 41 | 50 | 598 | WE30S11/4NPT | 400 | 400 | 250 |
| | 38 | 1 1/2-11.5 NPT | 32.0 | 32.0 | 57 | 41.0 | 61 | 26.0 | 72 | 50 | 60 | 1029 | WE38S11/2NPT | 315 | 315 | 200 |

¹⁾ Druckwert genannt = Artikel lieferbar

²⁾ LL = Sehr leichte Baureihe; ³⁾ L = Leichte Baureihe;

⁴⁾ S = Schwere Baureihe

*Ergänzen Sie bitte die Bestellzeichen mit den Kennbuchstaben für das gewünschte Material.

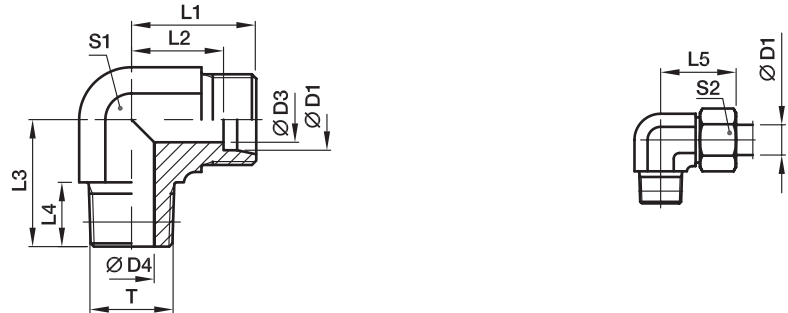
PN (bar) = PN (MPa)
10

Lieferung ohne Mutter und Schneidring. Hinweise zum Bestellen von Komplettverschraubungen siehe Seite 17.

| Bestellzeichen-Ergänzungen | | |
|------------------------------|--|----------------|
| Material | Kennbuchstaben Oberfläche und Material | Beispiel |
| Stahl, verzinkt, Cr(VI)-frei | CFX | WE16S1/2NPTCFX |
| Edelstahl | 71X | WE16S1/2NPT71X |
| Messing | MSX | WE16S1/2NPTMSX |

WE-M(KEG) Winkel-Einschraubstutzen

EO 24° Anschluss / Metr. Einschraubzapfen – kegelig (DIN 3852-1, Form C)



| Bau-Reihe | D1 | T | D3 | D4 | L1 | L2 | L3 | L4 | L5 | S1 | S2 | Gewicht g/1 St. | Bestellzeichen* | PN (bar) ¹⁾ | | |
|------------------|----|---------------|------|------|----|------|----|----|----|----|----|--------------------|-----------------|------------------------|-----|-----|
| | | | | | | | | | | | | | | CF | 71 | MS |
| LL ²⁾ | 04 | M 08×1.0 keg. | 3.0 | 3.5 | 15 | 11.0 | 17 | 8 | 21 | 9 | 10 | 14 | WE04LLM | 100 | 100 | 63 |
| | 06 | M 10×1.0 keg. | 4.5 | 4.5 | 15 | 9.5 | 17 | 8 | 21 | 9 | 12 | 17 | WE06LLM | 100 | 100 | 63 |
| | 08 | M 10×1.0 keg. | 6.0 | 6.0 | 17 | 11.5 | 20 | 8 | 23 | 12 | 14 | 25 | WE08LLM | 100 | 100 | 63 |
| L ³⁾ | 06 | M 10×1.0 keg. | 4.0 | 4.0 | 19 | 12.0 | 20 | 8 | 27 | 12 | 14 | 29 | WE06LM | 315 | 315 | 200 |
| | 08 | M 12×1.5 keg. | 6.0 | 6.0 | 21 | 14.0 | 26 | 12 | 29 | 12 | 17 | 46 | WE08LM | 315 | 315 | 200 |
| | 10 | M 14×1.5 keg. | 8.0 | 7.0 | 22 | 15.0 | 27 | 12 | 30 | 14 | 19 | 62 | WE10LM | 315 | 315 | 200 |
| | 12 | M 16×1.5 keg. | 10.0 | 9.0 | 24 | 17.0 | 28 | 12 | 32 | 17 | 22 | 89 | WE12LM | 315 | 315 | 200 |
| | 15 | M 18×1.5 keg. | 12.0 | 11.0 | 28 | 21.0 | 32 | 12 | 36 | 19 | 27 | 78 | WE15LM | 315 | 315 | 200 |
| | 18 | M 22×1.5 keg. | 15.0 | 14.0 | 31 | 23.0 | 36 | 14 | 40 | 24 | 32 | 148 | WE18LM | 315 | 315 | 200 |
| S ⁴⁾ | 06 | M 12×1.5 keg. | 4.0 | 4.0 | 23 | 16.0 | 26 | 12 | 31 | 12 | 17 | 53 | WE06SM | 400 | 400 | 250 |
| | 08 | M 14×1.5 keg. | 5.0 | 5.0 | 24 | 17.0 | 27 | 12 | 32 | 14 | 19 | 78 | WE08SM | 400 | 400 | 250 |
| | 10 | M 16×1.5 keg. | 7.0 | 7.0 | 25 | 17.5 | 28 | 12 | 34 | 17 | 22 | 102 | WE10SM | 400 | 400 | 250 |
| | 12 | M 18×1.5 keg. | 8.0 | 8.0 | 29 | 21.5 | 28 | 12 | 38 | 17 | 24 | 134 | WE12SM | 400 | 400 | 250 |
| | 16 | M 22×1.5 keg. | 12.0 | 12.0 | 33 | 24.5 | 32 | 14 | 43 | 24 | 30 | 161 | WE16SM | 400 | 400 | 250 |

¹⁾ Druckwert genannt = Artikel lieferbar

²⁾ LL = Sehr leichte Baureihe; ³⁾ L = Leichte Baureihe; ⁴⁾ S = Schwere Baureihe

$$\frac{\text{PN (bar)}}{10} = \text{PN (MPa)}$$

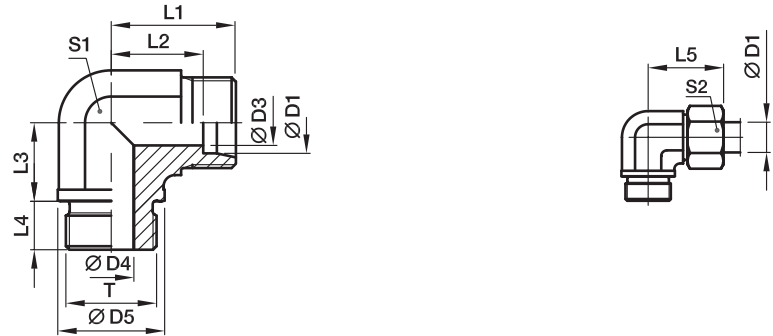
Lieferung ohne Mutter und Schneidring. Hinweise zum Bestellen von Komplettverschraubungen siehe Seite 17.

| Bestellzeichen-Ergänzungen | | |
|------------------------------|--|-----------|
| Material | Kennbuchstaben Oberfläche und Material | Beispiel |
| Stahl, verzinkt, Cr(VI)-frei | CFX | WE16SMCFX |
| Edelstahl | 71X | WE16SM71X |
| Messing | MSX | WE16SMMSX |

*Ergänzen Sie bitte die Bestellzeichen mit den **Kennbuchstaben** für das gewünschte Material.

WE-M Winkel-Einschraubstutzen

EO 24° Anschluss / Metr. Einschraubzapfen – Dichtkante (ISO 9974)



| Bau-Reihe | D1 | T | D3 | D4 | D5 | L1 | L2 | L3 | L4 | L5 | S1 | S2 | Gewicht g/1 St. | Bestellzeichen* | PN (bar) ¹⁾ | |
|-----------------|----|----------|----|----|----|----|------|----|----|----|----|----|--------------------|-----------------|------------------------|-----|
| | | | | | | | | | | | | | | | CF | 71 |
| L ³⁾ | 22 | M 26×1.5 | 19 | 18 | 31 | 35 | 27.5 | 26 | 16 | 44 | 27 | 36 | 173 | WE22LM | 160 | 160 |
| | 28 | M 33×2.0 | 24 | 23 | 39 | 38 | 30.5 | 30 | 18 | 47 | 36 | 41 | 303 | WE28LM | 160 | 160 |
| | 35 | M 42×2.0 | 30 | 30 | 49 | 45 | 34.5 | 34 | 20 | 56 | 41 | 50 | 469 | WE35LM | 160 | 160 |
| | 42 | M 48×2.0 | 36 | 36 | 55 | 51 | 40.0 | 39 | 22 | 63 | 50 | 60 | 661 | WE42LM | 160 | 160 |
| S ⁴⁾ | 20 | M 27×2.0 | 16 | 16 | 32 | 37 | 26.5 | 26 | 16 | 48 | 27 | 36 | 208 | WE20SM | 400 | 400 |
| | 25 | M 33×2.0 | 20 | 20 | 39 | 42 | 30.0 | 30 | 18 | 54 | 36 | 46 | 396 | WE25SM | 250 | 250 |
| | 30 | M 42×2.0 | 25 | 25 | 49 | 49 | 35.5 | 34 | 20 | 62 | 41 | 50 | 632 | WE30SM | 160 | 160 |
| | 38 | M 48×2.0 | 32 | 32 | 55 | 57 | 41.0 | 39 | 22 | 72 | 50 | 60 | 907 | WE38SM | 160 | 160 |

¹⁾ Druckwert genannt = Artikel lieferbar

³⁾ L = Leichte Baureihe; ⁴⁾ S = Schwere Baureihe

$$\frac{\text{PN (bar)}}{10} = \text{PN (MPa)}$$

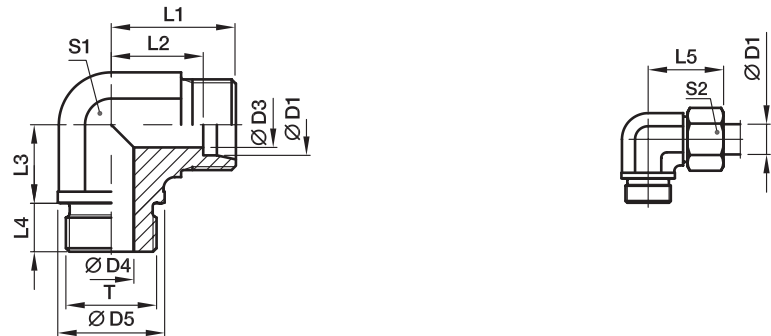
Lieferung ohne Mutter und Schneidring. Hinweise zum Bestellen von Komplettverschraubungen siehe Seite 17.

*Ergänzen Sie bitte die Bestellzeichen mit den **Kennbuchstaben** für das gewünschte Material.

| Bestellzeichen-Ergänzungen | | |
|------------------------------|--|-----------|
| Material | Kennbuchstaben Oberfläche und Material | Beispiel |
| Stahl, verzinkt, Cr(VI)-frei | CFX | WE20SMCFX |
| Edelstahl | 71X | WE20SM71X |

WE-R Winkel-Einschraubstutzen

EO 24° Anschluss / Zöll.Einschraubzapfen – Dichtkante (ISO 1179)



| Bau-Reihe | D1 | T | D3 | D4 | D5 | L1 | L2 | L3 | L4 | L5 | S1 | S2 | Gewicht g/1 St. | Bestellzeichen* | PN (bar) ¹⁾ | | |
|-----------------|----|-----------|----|----|----|----|------|----|----|----|----|----|--------------------|-----------------|------------------------|-----|-----|
| | | | | | | | | | | | | | | | CF | 71 | MS |
| L ³⁾ | 22 | G 3/4 A | 19 | 18 | 32 | 35 | 27.5 | 26 | 16 | 44 | 27 | 36 | 168 | WE22LR | 160 | 160 | 100 |
| | 28 | G 1 A | 24 | 23 | 39 | 38 | 30.5 | 30 | 18 | 47 | 36 | 41 | 305 | WE28LR | 160 | 160 | 100 |
| | 35 | G 1 1/4 A | 30 | 30 | 49 | 45 | 34.5 | 34 | 20 | 56 | 41 | 50 | 465 | WE35LR | 160 | 160 | 100 |
| | 42 | G 1 1/2 A | 36 | 36 | 55 | 51 | 40.0 | 39 | 22 | 63 | 50 | 60 | 706 | WE42LR | 160 | 160 | 100 |
| S ⁴⁾ | 20 | G 3/4 A | 16 | 16 | 32 | 37 | 26.5 | 26 | 16 | 48 | 27 | 36 | 210 | WE20SR | 400 | 400 | 250 |
| | 25 | G 1 A | 20 | 20 | 39 | 42 | 30.0 | 30 | 18 | 54 | 36 | 46 | 388 | WE25SR | 250 | 250 | 160 |
| | 30 | G 1 1/4 A | 25 | 25 | 49 | 49 | 35.5 | 34 | 20 | 62 | 41 | 50 | 630 | WE30SR | 160 | 160 | 100 |
| | 38 | G 1 1/2 A | 32 | 32 | 55 | 57 | 41.0 | 39 | 22 | 72 | 50 | 60 | 888 | WE38SR | 160 | 160 | 100 |

¹⁾ Druckwert genannt = Artikel lieferbar

³⁾ L = Leichte Baureihe; ⁴⁾ S = Schwere Baureihe

$$\frac{\text{PN (bar)}}{10} = \text{PN (MPa)}$$

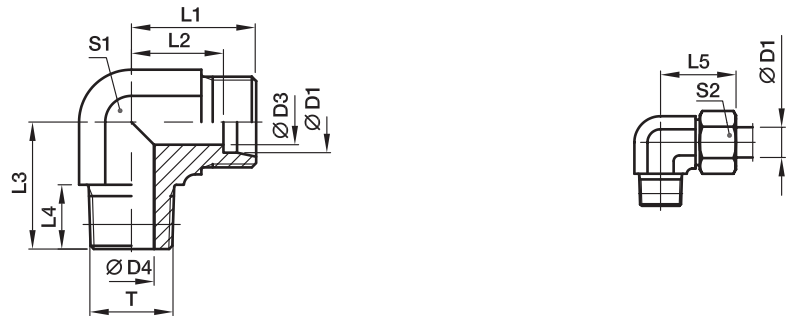
Lieferung ohne Mutter und Schneidring. Hinweise zum Bestellen von Komplettverschraubungen siehe Seite 17.

| Bestellzeichen-Ergänzungen | | |
|------------------------------|--|-----------|
| Material | Kennbuchstaben Oberfläche und Material | Beispiel |
| Stahl, verzinkt, Cr(VI)-frei | CFX | WE20SRCFX |
| Edelstahl | 71X | WE20SR71X |
| Messing | MSX | WE20SRMSX |

*Ergänzen Sie bitte die Bestellzeichen mit den **Kennbuchstaben** für das gewünschte Material.

WE-R (KEG) Winkel-Einschraubstutzen

EO 24° Anschluss / Zöll. Einschraubzapfen – kegelig (DIN 3852-2, Form C)



| Bau-Reihe | D1 | T | D3 | D4 | L1 | L2 | L3 | L4 | L5 | S1 | S2 | Gewicht g/1 St. | Bestellzeichen* | PN (bar) ¹⁾ | | |
|------------------|----|------------|------|------|----|------|----|----|----|----|----|--------------------|------------------|------------------------|-----|-----|
| | | | | | | | | | | | | | | CF | 71 | MS |
| LL ²⁾ | 04 | R 1/8 keg. | 3.0 | 4.0 | 15 | 11.0 | 17 | 8 | 21 | 9 | 10 | 17 | WE04LLR | 100 | 100 | 63 |
| | 06 | R 1/8 keg. | 4.5 | 4.5 | 15 | 9.5 | 17 | 8 | 21 | 9 | 12 | 17 | WE06LLR | 100 | 100 | 63 |
| | 08 | R 1/8 keg. | 6.0 | 6.0 | 17 | 11.5 | 20 | 8 | 23 | 12 | 14 | 24 | WE08LLR | 100 | 100 | 63 |
| | 10 | R 1/4 keg. | 8.0 | 7.0 | 18 | 12.5 | 23 | 12 | 24 | 12 | 17 | 36 | WE10LLR | 100 | | |
| | 12 | R 1/4 keg. | 10.0 | 7.0 | 19 | 13.0 | 23 | 12 | 25 | 14 | 19 | 46 | WE12LLR | 100 | | |
| L ³⁾ | 06 | R 1/8 keg. | 4.0 | 4.0 | 19 | 12.0 | 20 | 8 | 27 | 12 | 14 | 30 | WE06LR | 315 | 315 | 200 |
| | 06 | R 1/4 keg. | 4.0 | 6.0 | 21 | 14.0 | 26 | 12 | 29 | 12 | 14 | 47 | WE06LR1/4 | 315 | 315 | |
| | 08 | R 1/4 keg. | 6.0 | 6.0 | 21 | 14.0 | 26 | 12 | 29 | 12 | 17 | 46 | WE08LR | 315 | 315 | 200 |
| | 08 | R 1/8 keg. | 6.0 | 4.0 | 21 | 14.0 | 26 | 8 | 29 | 12 | 17 | 49 | WE08LR1/8 | 315 | 315 | |
| | 08 | R 3/8 keg. | 6.0 | 9.0 | 24 | 17.0 | 28 | 12 | 32 | 17 | 17 | 94 | WE08LR3/8 | 315 | 315 | |
| | 10 | R 1/4 keg. | 8.0 | 7.0 | 22 | 15.0 | 27 | 12 | 30 | 14 | 19 | 61 | WE10LR | 315 | 315 | 200 |
| | 10 | R 3/8 keg. | 8.0 | 9.0 | 24 | 17.0 | 28 | 12 | 32 | 17 | 19 | 87 | WE10LR3/8 | 315 | 315 | |
| | 12 | R 3/8 keg. | 10.0 | 9.0 | 24 | 17.0 | 28 | 12 | 32 | 17 | 22 | 88 | WE12LR | 315 | 315 | 200 |
| | 12 | R 1/4 keg. | 10.0 | 7.0 | 24 | 17.0 | 27 | 12 | 32 | 17 | 22 | 80 | WE12LR1/4 | 315 | 315 | |
| | 12 | R 1/2 keg. | 10.0 | 11.0 | 28 | 21.0 | 34 | 14 | 36 | 19 | 22 | 89 | WE12LR1/2 | 315 | 315 | |
| | 15 | R 1/2 keg. | 12.0 | 11.0 | 28 | 21.0 | 34 | 14 | 36 | 19 | 27 | 94 | WE15LR | 315 | 315 | 200 |
| | 18 | R 1/2 keg. | 15.0 | 14.0 | 31 | 23.5 | 36 | 14 | 40 | 24 | 32 | 141 | WE18LR | 315 | 315 | 200 |
| S ⁴⁾ | 06 | R 1/4 keg. | 4.0 | 4.0 | 23 | 16.0 | 26 | 12 | 31 | 12 | 17 | 56 | WE06SR | 400 | 400 | 250 |
| | 06 | R 3/8 keg. | 4.0 | 7.0 | 25 | 18.0 | 28 | 12 | 33 | 17 | 17 | 61 | WE06SR3/8 | 400 | 400 | |
| | 08 | R 1/4 keg. | 5.0 | 5.0 | 24 | 17.0 | 27 | 12 | 32 | 14 | 19 | 73 | WE08SR | 400 | 400 | 250 |
| | 08 | R 3/8 keg. | 5.0 | 7.0 | 25 | 18.0 | 28 | 12 | 33 | 17 | 19 | 63 | WE08SR3/8 | 400 | 400 | |
| | 10 | R 3/8 keg. | 7.0 | 7.0 | 25 | 17.5 | 28 | 12 | 34 | 17 | 22 | 104 | WE10SR | 400 | 400 | 250 |
| | 10 | R 1/4 keg. | 7.0 | 5.0 | 25 | 17.5 | 28 | 12 | 34 | 17 | 22 | 59 | WE10SR1/4 | 400 | 400 | |
| | 10 | R 1/2 keg. | 7.0 | 10.0 | 30 | 22.5 | 32 | 14 | 39 | 19 | 22 | 98 | WE10SR1/2 | 400 | 400 | |
| | 12 | R 3/8 keg. | 8.0 | 8.0 | 29 | 21.5 | 28 | 12 | 38 | 17 | 24 | 126 | WE12SR | 400 | 400 | 250 |
| | 12 | R 1/2 keg. | 8.0 | 11.0 | 30 | 22.5 | 32 | 14 | 39 | 19 | 24 | 97 | WE12SR1/2 | 400 | 400 | |
| | 16 | R 1/2 keg. | 12.0 | 12.0 | 33 | 24.5 | 32 | 14 | 43 | 24 | 30 | 150 | WE16SR | 400 | 400 | 250 |

1) Druckwert genannt = Artikel lieferbar

2) LL = Sehr leichte Baureihe; 3) L = Leichte Baureihe;

4) S = Schwere Baureihe

PN (bar)
10 = PN (MPa)

Lieferung ohne Mutter und Schneidring. Hinweise zum Bestellen von Kompletterschraubungen siehe Seite 17.

| Bestellzeichen-Ergänzungen | | |
|------------------------------|--|-----------|
| Material | Kennbuchstaben Oberfläche und Material | Beispiel |
| Stahl, verzinkt, Cr(VI)-frei | CFX | WE16SRCFX |
| Edelstahl | 71X | WE16SR71X |
| Messing | MSX | WE16SRMSX |

*Ergänzen Sie bitte die Bestellzeichen mit den **Kennbuchstaben** für das gewünschte Material.