

# Flow regulator

## 3 way, pressure compensated

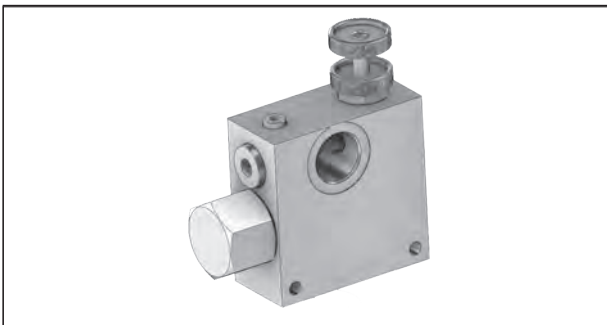
A-VRFC3

0M.C2.03 - X - 05

**RE 18309-42**

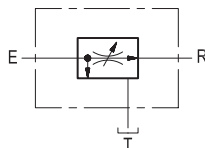
Edition: 03.2016

Replaces: 04.2010



### Description

A constant flow rate, regardless of system pressures, is established from E to R, while a minimum pressure differential of appr. 5 bar (70 psi) exists between the two ports. Input flow supplied to E in excess of the regulated output at R is by-passed to T. Output flow can be varied from closed to the nominal maximum rating for the valve. Reverse flow from R to E is limited by the selected opening of the restrictor and is not pressure compensated. Flow from T to E or from T to R is not possible. Increasing or decreasing inlet flow may cause slight increase or decrease of Regulated flow.



### Technical data

Max. operating pressure	350 bar (5000 psi)
QE= max. inlet flow "E" port	280 l/min. (74 gpm)
QR= max. regulated flow "R" port	190 l/min. (50 gpm)
Flow range adjustment	0 - 3 turns
Weight	4.4 kg (9.7 lbs)
Manifold material	Zinc plated steel
Fluid	Mineral oil (HL, HLP) according to DIN 51524
Fluid temperature range	-30 °C to 100 (-22 to 212 °F)
Viscosity range	5 to 800 mm <sup>2</sup> /s (cSt)
Recommended degree of fluid contamination	Class 19/17/14 according to ISO 4406
Other technical data	see data sheet 18350-50

Note: for applications outside these parameters, please consult us.

### Characteristic curve

