



Data Sheet

## PLUS+1<sup>®</sup> Controllers

### MC050-155 and MC050-15B

#### Mobile machine management

The MC050-155 and MC050-15B controllers are elements of the flexible, powerful, expandable, and affordable PLUS+1<sup>®</sup> family of mobile machine management products. These devices are general-purpose controllers that are equally suited for use as members of a distributed machine control system, with intelligence in every node, or as stand-alone controllers.

#### Product highlights

Both controllers employ a 32 bit Cortex-M3 Processor, providing the controllers with extremely fast single cycle processing speed and 512K internal flash. Both controllers feature three CAN ports, one 1.66 and one 3.3 or 5 volt regulated sensor supply. The MC050-15B has an application key that enables the use of Danfoss developed GUIDE machine control solutions. The same GUIDE HWD file is used with both controllers.

#### Application development

Users develop MC050-155 and MC050-15B applications with PLUS+1<sup>®</sup> GUIDE. This Microsoft<sup>®</sup> Windows<sup>®</sup> based development environment features a user-friendly, field proven, icon-based graphical programming tool, application downloader, and service/diagnostic tool.

#### Features

- User-programmable with PLUS+1<sup>®</sup> GUIDE (Graphical User Integrated Development Environment)
- 50 pins: (1) DEUTSCH DRC connector
- ARM 32 bit Cortex-M3 running at 120 MHz
- FRAM non-volatile memory
- 12 bit analog-to-digital converter
- 9 to 36 Vdc power supply, monitored internally
- 3 CAN 2.0 B ports, the fixed range analog inputs can be used as the shield pin
- Power supply for external sensors, monitored and regulated internally
  - 1.6 Vdc rated at 500 mA
  - 3.3 Vdc rated at 450 mA
  - 5.0 Vdc rated at 450 mA
- 2 LEDs under user control
- 3 mounting alternatives: stack, end, or side
- MC050-15B contains application key required to run Danfoss developed machine control application software
- CE compliant

Comprehensive technical literature is online at [www.danfoss.com](http://www.danfoss.com)



**36 inputs**

- 4 universal (DIN/AIN/FreqIN) that are user-defined as either:
  - Analog: with configurable ranges 0 to 5.25 Vdc (with over range protection) or 0 to 36 Vdc
  - Digital: pull up (5 Vdc), pull down (0 Vdc) or pull to center (2.5 Vdc)
  - Frequency (timing): 1 Hz to 10 kHz
- 29 digital/analog (DIN/AIN) that are user-defined as either:
  - Digital: pull up (5 Vdc), pull down (0 Vdc) or pull to center (2.5 Vdc)
  - Analog: 0 to 5.25 Vdc or 0 to 36 Vdc
- 3 fixed range analog (AIN/CAN shield) 0 to 5.25 Vdc or CAN shield pin

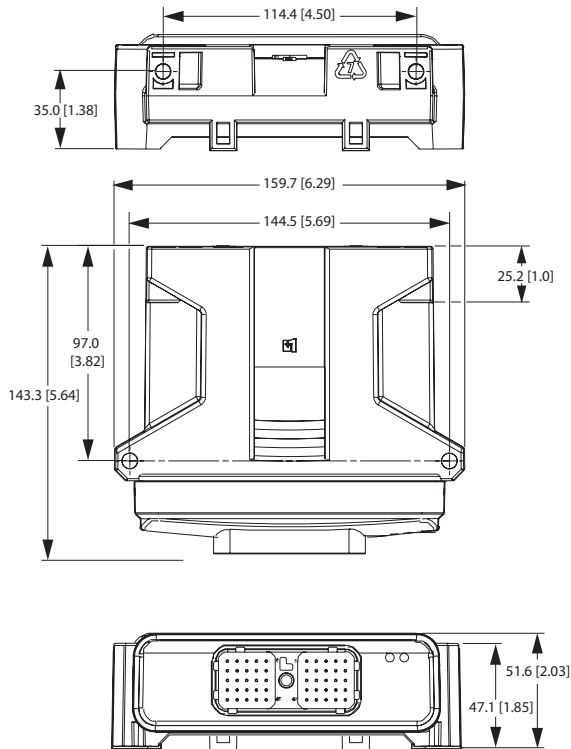
**3 outputs**

- 2 universal (PWMOUT/DOUT/PVGOUT) that are user-defined as either:
  - Digital: (3 A), configurable as source or sink
  - PWM: (30 to 4000 Hz), configurable as open or closed loop with current control
  - Analog voltage: open loop PWM at 4000 Hz
- Any PWMOUT/DOUT/PVGOUT can be used to provide reference power to one PVG valve
- 1 digital/PVG Pwr (DOUT/PVG Pwr) sourcing only one DOUT/PVG Pwr will power up to 3 PVGs

Data Sheet

**MC050-155 and 15B Controllers**
**Dimensions**

mm [in]


**! Caution**

PCB damage may occur. All device power supply + pins must be connected to battery +.  
 This device is not field serviceable. Opening the device housing will void the warranty.

**Technical specifications**

|  |                                |
|--|--------------------------------|
| Supply voltage                             | 9 to 36 Vdc                    |
| Operating temperature (ambient)            | -40°C to 70°C [-40°F to 158°F] |
| Storage temperature                        | -40°C to 85°C [-40°F to 185°F] |
| Programming temperature                    | -40°C to 70°C [-40°F to 158°F] |
| IP rating (with mating connector attached) | IP 67                          |
| EMI/RFI rating                             | 100 V/m                        |
| Weight                                     | 0.40 kg [0.88 lb]              |
| Maximum current, sourcing                  | 8 A                            |
| Maximum current, sinking                   | 6 A                            |

| Related product                               | Danfoss material number |                         |
|---|-------------------------|-------------------------|
| CG150 CAN/USB Gateway                         | 10104136                |                         |
| DEUTSCH mating connector bag assembly         | 10102024 (16 to 20 AWG) | 10100946 (20 to 24 AWG) |
| PLUS+1 <sup>®</sup> GUIDE single user license | 10101079                |                         |

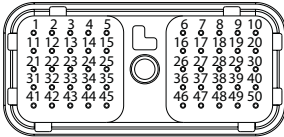
**Ordering information**

|                  |          |
|------------------|----------|
| <b>MC050-155</b> | 11130958 |
| <b>MC050-15B</b> | 11130959 |



### Pin information

50-pin connector



2198B

| Pin    | Controller function      | Pin    | Controller function    |
|--------|--------------------------|--------|------------------------|
| C1-P1  | Power ground -           | C1-P26 | DIN/AIN                |
| C1-P2  | Power supply +           | C1-P27 | DIN/AIN                |
| C1-P3  | CAN0+                    | C1-P28 | DIN/AIN                |
| C1-P4  | CAN0-                    | C1-P29 | DIN/AIN                |
| C1-P5  | AIN/CAN0 shield          | C1-P30 | DOUT/PVg Pwr           |
| C1-P6  | CAN1+                    | C1-P31 | DIN/AIN                |
| C1-P7  | CAN1-                    | C1-P32 | DIN/AIN                |
| C1-P8  | 3.3/5 Vdc sensor power + | C1-P33 | DIN/AIN                |
| C1-P9  | Sensor power ground -    | C1-P34 | DIN/AIN                |
| C1-P10 | 1.66 Vdc sensor power +  | C1-P35 | DIN/AIN                |
| C1-P11 | CAN2+                    | C1-P36 | DIN/AIN                |
| C1-P12 | CAN2-                    | C1-P37 | DIN/AIN                |
| C1-P13 | AIN/CAN1 shield          | C1-P38 | DIN/AIN                |
| C1-P14 | AIN/CAN2 shield          | C1-P39 | DIN/AIN                |
| C1-P15 | DIN/AIN                  | C1-P40 | PWMOUT/<br>DOUT/PVgOUT |
| C1-P16 | DIN/AIN                  | C1-P41 | DIN/AIN                |
| C1-P17 | DIN/AIN                  | C1-P42 | DIN/AIN                |
| C1-P18 | DIN/AIN                  | C1-P43 | DIN/AIN                |
| C1-P19 | DIN/AIN                  | C1-P44 | DIN/AIN                |
| C1-P20 | DIN/AIN                  | C1-P45 | DIN/AIN                |
| C1-P21 | DIN/AIN                  | C1-P46 | DIN/AIN/FreqIN         |
| C1-P22 | DIN/AIN                  | C1-P47 | DIN/AIN/FreqIN         |
| C1-P23 | DIN/AIN                  | C1-P48 | DIN/AIN/FreqIN         |
| C1-P24 | DIN/AIN                  | C1-P49 | DIN/AIN/FreqIN         |
| C1-P25 | DIN/AIN                  | C1-P50 | PWMOUT/<br>DOUT/PVgOUT |

Danfoss can accept no responsibility for possible errors in catalogues, brochures and other printed material. Danfoss reserves the right to alter its products without notice. This also applies to products already on order provided that such alterations can be made without subsequent changes being necessary in specifications already agreed. All trademarks in this material are property of the respective companies. Danfoss and the Danfoss logotype are trademarks of Danfoss A/S. All rights reserved.