

Data Sheet

PLUS+1[®] Mobile Machine Displays

DM430E Series

PLUS+1

The Danfoss DM430E Series Display is a 4.3" modernized display platform, expanding the PLUS+1[®] family of mobile machine management products.

The DM430E Series 4.3" display is optimized for sunlight viewability with its high brightness, optical bonding, anti-glare coating and wide viewing angles. Ruggedized for mobile machine markets, it brings a modern appearance at a cost-effective price point.

DM430E variants include different button pads, several input options, dual CAN port options, a USB/RS232 connection on the rear of the display, and an optional EIC (Engine Information Center) application.

Programmable back-lit buttons within PLUS+1[®] GUIDE software using the light sensor. The high resolution color display provides viewability in a wide range of lighting conditions.



Features

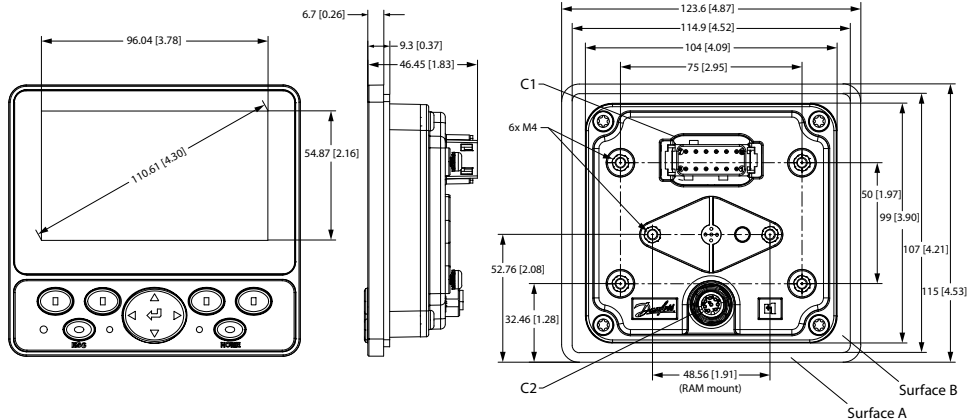
- 2 different keypads
 - Traditional 4 button
 - 6 button plus navigation buttons (11 total)
- Backlit buttons
- Up to 6 LEDs
- Integrated light sensor
- EIC application (optional), Tier 4 / Stage IV ready
- Real Time Clock (RTC)
- PLUS+1[®] GUIDE programmable (Vector-Based Screen Editor)
- Rugged IP66 and IP67 ratings (with mating connectors installed)
- Integrated DEUTSCH connector
- Fast Start-up Time (~2 sec)
- RAM[®] or Bracket (optional) mount
- Portrait and landscape
- 32MB application log
- CE compliant, E1-Mark (pending) and RoHS compliant
- USB device & RS232 (optional)

Comprehensive technical literature is online at www.danfoss.com

Data Sheet

DM430E Series Display
Dimensions in mm [in]

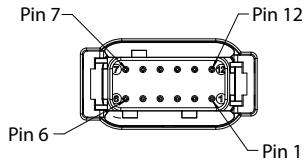
Front, side view, and rear view


Specifications

Characteristics

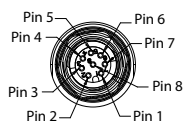
Processor	ARM-based Cortex-M7
RAM	32MB
EEPROM	32kB
Flash (Program memory)	32MB
Flash (Application log)	32MB
Supply voltage	9-36 V _{DC}
Connector	DEUTSCH DTM06-12
Size	4.3"
Aspect ratio	Wide
Resolution	480x272
Brightness	>700 cd/m ²
Contrast ratio	500:1
Viewing angle	+/- 70 degrees in all directions
Color depth	24-bit
Glass	Optically bonded, anti-glare coating
IP rating (with mating connector attached)	IP66 and IP67 (front and back)
Operating temperature	-30°C to +70°C [-22°F to +158°F]
Storage temperature	-40°C to +85°C [-40°F to 185°F]
Weight	328 g (0.72 lb)
Vibration	IEC 60068-2-64 (7.67g)
Shock	IEC 60068-2-27 test Ea (50g)
EMI/RFI rating (V/m)	100

Data Sheet

DM430E Series Display
12 pin DEUTSCH connector

DEUTSCH DTM06-12SA 12 pin

C1 pin	DM430E-0-x-x-x	DM430E-1-x-x-x	DM430E-2-x-x-x
1	Power ground -	Power ground -	Power ground -
2	Power supply +	Power supply +	Power supply +
3	CAN 0 +	CAN 0 +	CAN 0 +
4	CAN 0 -	CAN 0 -	CAN 0 -
5	AnIn/CAN 0 Shield	AnIn/CAN 0 Shield	AnIn/CAN 0 Shield
6	DigIn/AnIn	DigIn/AnIn	DigIn/AnIn
7	DigIn/AnIn	DigIn/AnIn	DigIn/AnIn
8	DigIn/AnIn	CAN 1+	Sensor power 5 V/100 mA
9	DigIn/AnIn	CAN 1-	Secondary power input*
10	Multifunction input (DigIn/AnIn/Freq/4-20 mA/Rheostat)	Multifunction input (DigIn/AnIn/Freq/4-20 mA/Rheostat)	Multifunction input (DigIn/AnIn/Freq/4-20 mA/Rheostat)
11	Multifunction input (DigIn/AnIn/Freq/4-20 mA/Rheostat)	Multifunction input (DigIn/AnIn/Freq/4-20 mA/Rheostat)	Multifunction input (DigIn/AnIn/Freq/4-20 mA/Rheostat)
12	Digital out (0.5A sinking)	Digital out (0.5A sinking)	Digital out (0.5A sinking)

* From controller (requires surge protection).

8 pin M12 connector

M12-A 8 pin

C2 pin	Function
1	Device Vbus
2	Device data -
3	Device data +
4	Ground
5	Ground
6	RS232 Rx
7	RS232 Tx
8	NC

Model variants

Part number	Order code	Description
11197958	DM430E-0-0-0-0	4 Buttons, I/O
11197973	DM430E-1-0-0-0	4 Buttons, 2-CAN
11197977	DM430E-2-0-0-0	4 Buttons, Sensor Power, Secondary Power Input
11197960	DM430E-0-1-0-0	4 Buttons, I/O, USB/RS232
11197974	DM430E-1-1-0-0	4 Buttons, 2-CAN, USB/RS232
11197978	DM430E-2-1-0-0	4 Buttons, Sensor Power, Secondary Power Input, USB/RS232
11197961	DM430E-0-0-1-0	Navigation Buttons, I/O
11197975	DM430E-1-0-1-0	Navigation Buttons, 2-CAN
11197979	DM430E-2-0-1-0	Navigation Buttons, Sensor Power, Secondary Power Input
11197972	DM430E-0-1-1-0	Navigation Buttons, I/O, USB/RS232
11197976	DM430E-1-1-1-0	Navigation Buttons, 2-CAN, USB/RS232
11197980	DM430E-2-1-1-0	Navigation Buttons, Sensor Power, Secondary Power Input, USB/RS232
11197981	DM430E-0-0-0-1	4 Buttons, I/O, EIC Application
11197985	DM430E-1-0-0-1	4 Buttons, 2-CAN, EIC Application
11197989	DM430E-2-0-0-1	4 Buttons, Sensor Power, Secondary Power Input, EIC Application
11197982	DM430E-0-1-0-1	4 Buttons, I/O, USB/RS232, EIC Application
11197986	DM430E-1-1-0-1	4 Buttons, 2-CAN, USB/RS232, EIC Application
11197990	DM430E-2-1-0-1	4 Buttons, Sensor Power, Secondary Power Input, USB/RS232, EIC Application
11197983	DM430E-0-0-1-1	Navigation Buttons, I/O, EIC Application
11197987	DM430E-1-0-1-1	Navigation Buttons, 2-CAN, EIC Application
11197991	DM430E-2-0-1-1	Navigation Buttons, Sensor Power, Secondary Power Input, EIC Application
11197984	DM430E-0-1-1-1	Navigation Buttons, I/O, USB/RS232, EIC Application
11197988	DM430E-1-1-1-1	Navigation Buttons, 2-CAN, USB/RS232, EIC Application
11197992	DM430E-2-1-1-1	Navigation Buttons, Sensor Power, Secondary Power Input, USB/RS232, EIC Application

Model code

A	B	C	D	E
DM430E				

D—Button Pads	Description
0	4 Buttons, 6 LEDs
1	Navigation buttons, 2 Dual-color LEDs

Model code key

A—Model name	Description
DM430E	4.3" Color Graphical Display

E—Application key (EIC Application)	Description
0	No Application Key
1	Application Key (EIC Application)

B—Inputs/Outputs	Description
0	1 CAN Port, 4DIN/AIN, 2 MFIN
1	2 CAN Port, 2DIN/AIN, 2 MFIN
2	1 CAN Port, 2DIN/AIN, 2 MFIN, Sensor Power

C—M12 connector	Description
0	No USB Device, No RS232
1	USB Device, RS232

Related product part numbers

DEUTSCH 12-pin Connector Kit (DTM06-12SA)	10100944
Mounting Bracket Kit	11198661
CG150-2 CAN/USB Gateway (Sold separately)	11153051
PLUS+1® GUIDE Professional	11179523
Cable, M12 8-Pin to USB Device	11130518
Cable, M12 8-Pin to Lead Wires	11130713

Danfoss can accept no responsibility for possible errors in catalogues, brochures and other printed material. Danfoss reserves the right to alter its products without notice. This also applies to products already on order provided that such alterations can be made without subsequent changes being necessary in specifications already agreed. All trademarks in this material are property of the respective companies. Danfoss and the Danfoss logotype are trademarks of Danfoss A/S. All rights reserved.