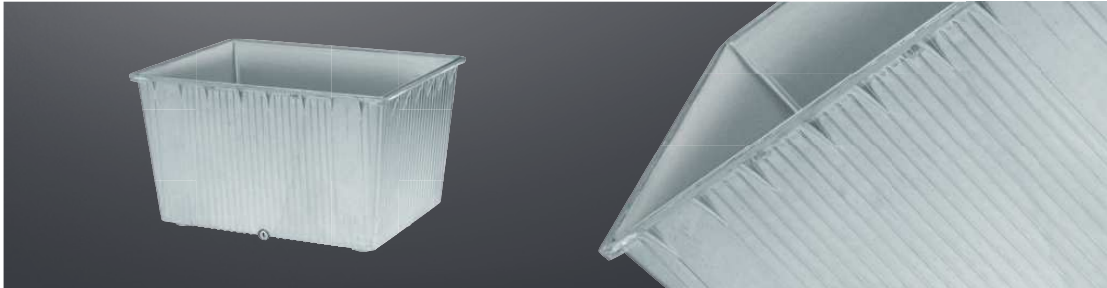
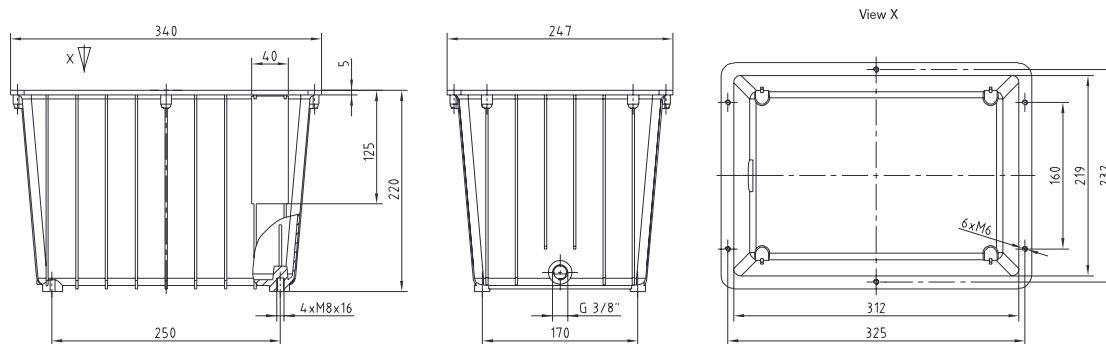


ALUMINIUM TANK BAK HYDRAULIC COMPONENTS

Tank without oil collecting groove



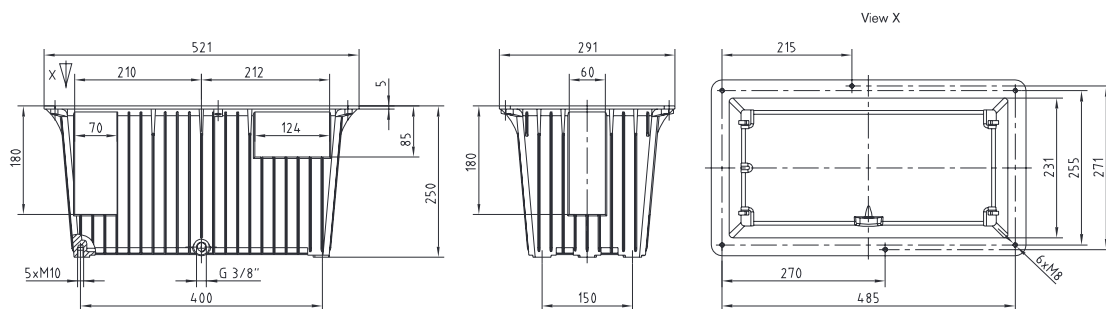
Tank without oil collecting groove BAK 10



The tank is available with bores for oil level indicator KO 01 on request.

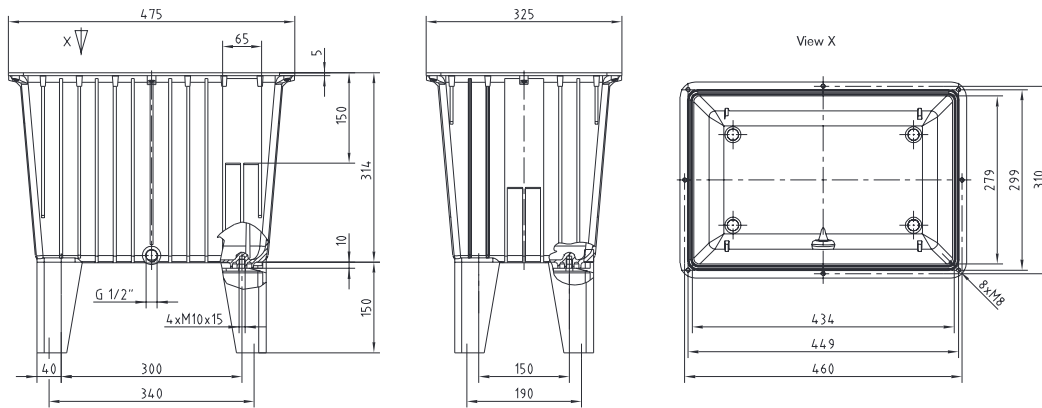
Effective volume	Gasket	Tightening torque of drain plug	Max. medium temperature	Max. permissible pressure
9,5 L	FD 10	G 3/8" = 40 Nm	100 °C	0,5 bar

Tank without oil collecting groove BAK 20



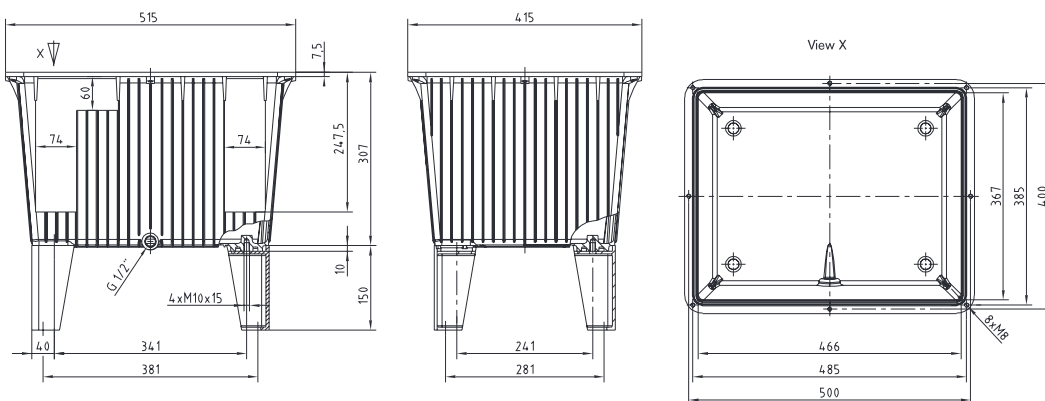
The tank is available with bores for oil level indicator KO 01 on request.

Effective volume	Gasket	Tightening torque of drain plug	Max. medium temperature	Max. permissible pressure
18 L	FD 20	G 3/8" = 40 Nm	100 °C	0,5 bar

Tank without oil collecting groove BAK 27


The tank is available with bores for oil level indicator KO 01 on request.

Effective volume	Gasket	Tightening torque of drain plug	Max. medium temperature	Max. permissible pressure
27 L	RS 30 NBR	G 1/2" = 55 Nm	100 °C	0,5 bar

Tank without oil collecting groove BAK 40


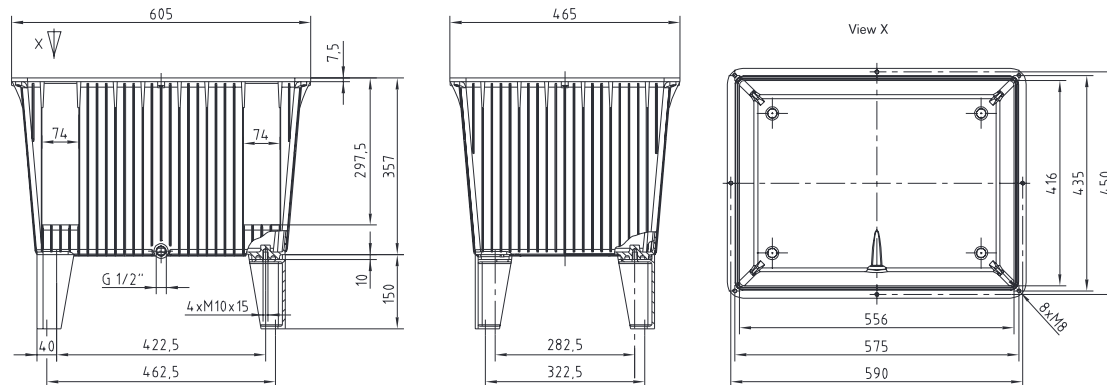
The tank is available with bores for oil level indicator KO 02 on request.

Effective volume	Gasket	Tightening torque of drain plug	Max. medium temperature	Max. permissible pressure
40 L	RS 40/44 NBR	G 1/2" = 55 Nm	100 °C	0,5 bar

ALUMINIUM TANK BAK HYDRAULIC COMPONENTS

Tank without oil collecting groove

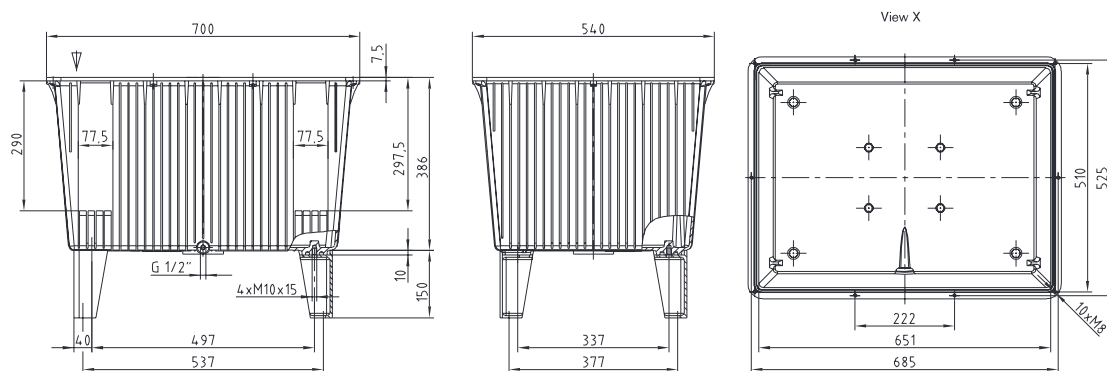
BAK 63



The tank is available with bores for oil level indicator KO 02 on request.

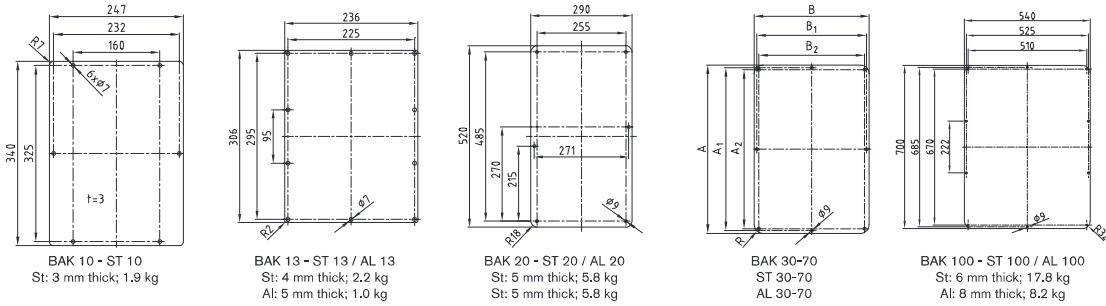
Effective volume	Gasket	Tightening torque of drain plug	Max. medium temperature	Max. permissible pressure
63 L	RS 63/70 NBR	G 1/2" = 55 Nm	100 °C	0,5 bar

BAK 100

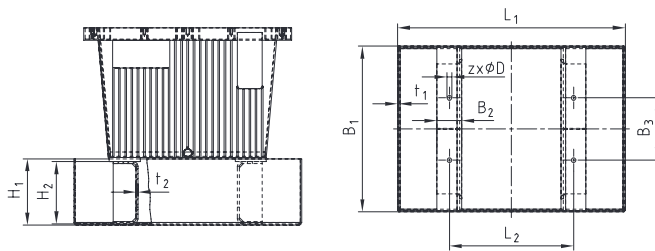


The tank is available with bores for oil level indicator KO 03 on request.

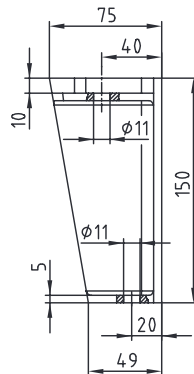
Effective volume	Gasket	Tightening torque of drain plug	Max. medium temperature	Max. permissible pressure
95 L	RS 100 NBR	G 1/2" = 55 Nm	100 °C	0,5 bar


Tank cover made of steel and aluminium, accessories for aluminium tank

Cover		For tank	Dimensions [mm]							Cover thickness		Weight [kg]	
Steel	Aluminium		A	A ₁	A ₂	B	B ₁	B ₂	R	St	Al	St	Al
ST 30	AL 30	BAK 30	475	460	449	325	310	299	25	5	5	6	2.1
ST 44	AL 44	BAK 40/BAK 44	515	500	485	415	400	385	32	5	8	8.5	4.6
ST 70	AL 70	BAK 63/BAK 70	605	590	575	465	450	435	32	5	8	10.5	6.1


Oil sump pan BAKW made of steel for KTR aluminium tank BAK/available acc. to WHG (Water Resources Act)

Oil sump pan	For tank	Volume of oil sump pan	Dimensions [mm]											Available from stock	
			L ₁	L ₂	B ₁	B ₂	B ₃	H ₁	H ₂	t ₁	t ₂	z	D	Standard	WHG
BAKW 13	BAK 13	11.8 l	380	188	310	60	118	110	100	3	3	4	9	●	-
BAKW 20	BAK 20	20 l	570	400	350	60	150	110	100	3	3	4	12	●	●
BAKW 30	BAK 30	33 l	550	300	400	60	150	160	150	3	5	4	12	●	●
BAKW 44	BAK40/BAK 44	45 l	600	341	500	60	241	160	150	3	5	4	12	●	●
BAKW 70	BAK 63/BAK 70	63.5 l	730	422.5	580	60	282.5	160	150	3	5	4	12	●	●
BAKW 100	BAK 100	104 l	920	497	770	60	337	160	150	3	5	4	12	●	-

Accessories
Tank feet BF 150 made of cast aluminium

Wheels LR 150 and LR 150 F with lock
