

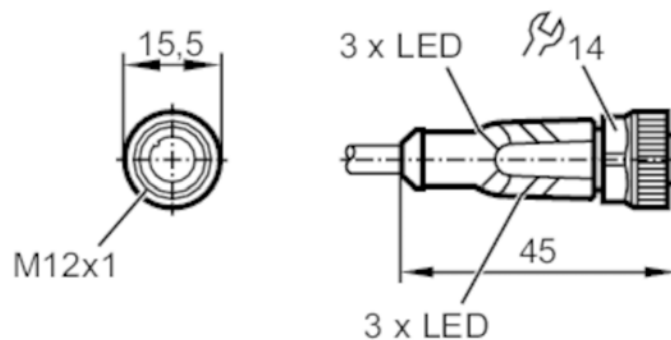
## EVC646

### Connecting cable with socket

ADOGH046MSS0010H04



Please see the technical note under "Downloads"



#### Application

Special feature	Free from silicone; Halogen-free; Gold-plated contacts; Drag chain suitability
Free from silicone	yes

#### Electrical data

Operating voltage	[V]	10...36 DC
Protection class		II
Max. current load total	[A]	4

#### Outputs

Electrical design	PNP
-------------------	-----

#### Operating conditions

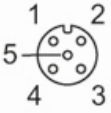
Ambient temperature	[°C]	-25...90
Note on ambient temperature		cULus: ...50
Ambient temperature (moving)	[°C]	-25...90
Note on ambient temperature (moving)		cULus: ...50
Protection		IP 65; IP 67; IP 68; IP 69K

## EVC646



### Connecting cable with socket

ADOGH046MSS0010H04

Mechanical data		
Weight	[g]	286.3
Dimensions	[mm]	15.5 x 15.5 x 45
Materials		housing: TPU black transparent; Sealing: FKM
Material nut		brass, nickel-plated
Drag chain suitability		yes
Drag chain suitability	bending radius for flexible use	min. 10 x cable diameter
	travel speed	max. 3.3 m/s for a horizontal travel length of 5 m and max. acceleration of 5 m/s <sup>2</sup>
	bending cycles	> 5 Mio.
	torsional strain	± 180 °/m
Displays / operating elements		
Display	switching status	4 x LED, yellow
	operation	2 x LED, green
Remarks		
Notes	Please see the technical note under "Downloads"	
Pack quantity	1 pcs.	
Electrical connection		
Cable: 10 m, PUR, Halogen-free, black, Ø 4.3 mm; 4 x 0.34 mm <sup>2</sup> (42 x Ø 0.1 mm )		
Electrical connection - socket		
Connector: 1 x M12, straight; Locking: brass, nickel-plated; Contacts: gold-plated; Tightening torque: 0.6...1.5 Nm		
		

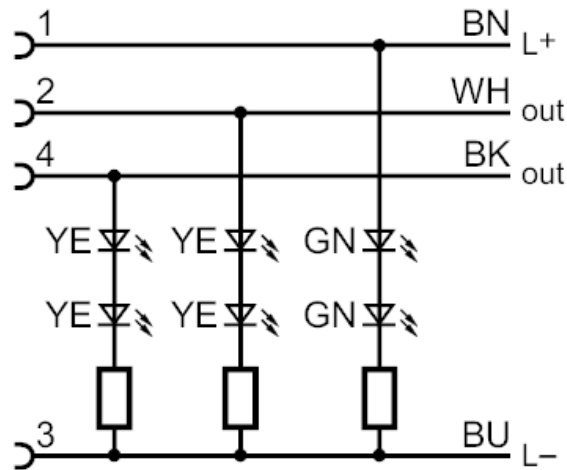
## EVC646

### Connecting cable with socket

ADOGH046MSS0010H04



#### Connection



Core colours :

BK =	black
BN =	brown
BU =	blue
WH =	white