

Catalogue HY29-0001/UK
T6C - Ordering Code
Hydraulic Pumps
T7/T67/T6C Industrial, Denison Vane Pumps
Model No.
T6C* - B22 - 1 R 00 - B 1 - ..
Series - SAE B 2 bolts

J744 mounting flange

* Rear drive option available, please contact Parker

Displacement

Volumetric displacement (ml/rev.)

B03 = 10,8 B17 = 58,3

B05 = 17,2 B20 = 63,8

B06 = 21,3 B22 = 70,3

B08 = 26,4 B25 = 79,3

B10 = 34,1 B28 = 88,8

B12 = 37,1 B31 = 100,0

B14 = 46,0

Type of shaft

1 = keyed (SAE B) Ø 22,2

2 = keyed (non SAE)

3 = splined (SAE B) 13 teeth

4 = splined (SAE BB) 15 teeth

Modifications
Seal class

1 = S1 BUNA N - 0,7 bar max. (for mineral oil)

4 = S4 EPDM - 7 bar max. (for fire resistant fluids)

5 = S5 VITON® - 7 bar max. (for mineral oil and fire resistant fluids)

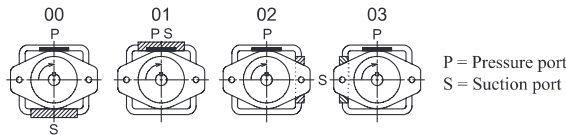
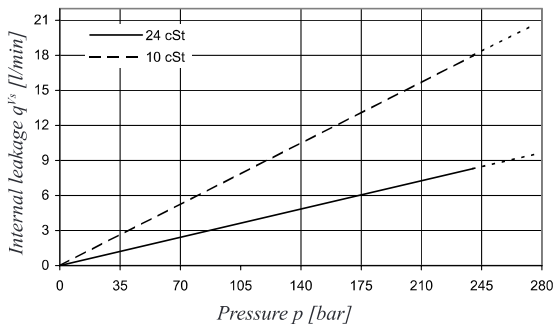
Design letter
Porting combination

00 = standard

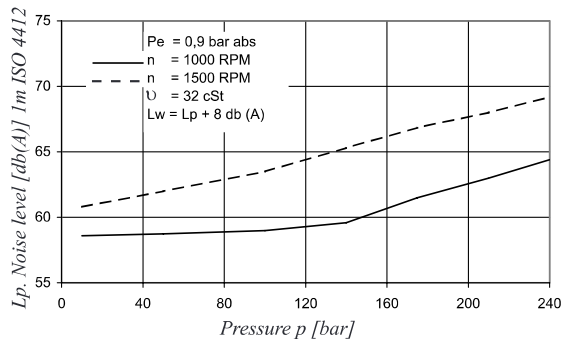
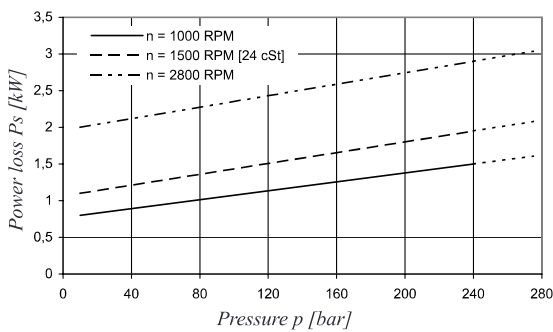
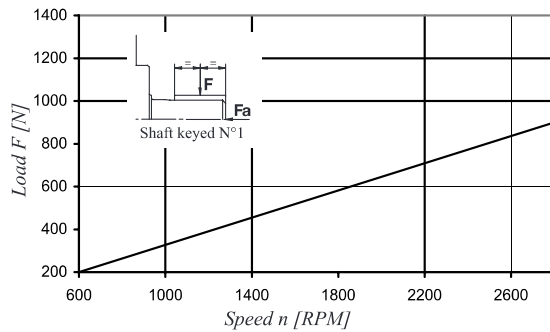
Direction of rotation (shaft end view)

R = Clockwise

L = Counter-clockwise


INTERNAL LEAKAGE (TYPICAL)


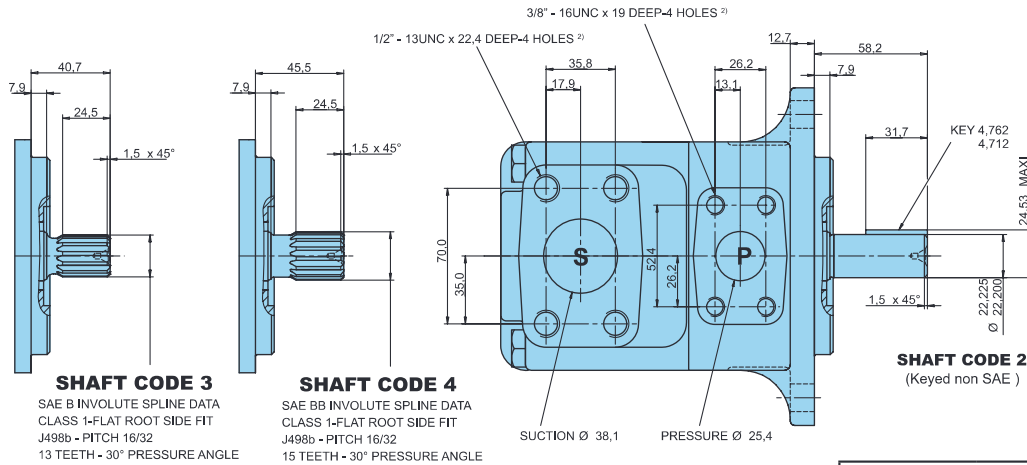
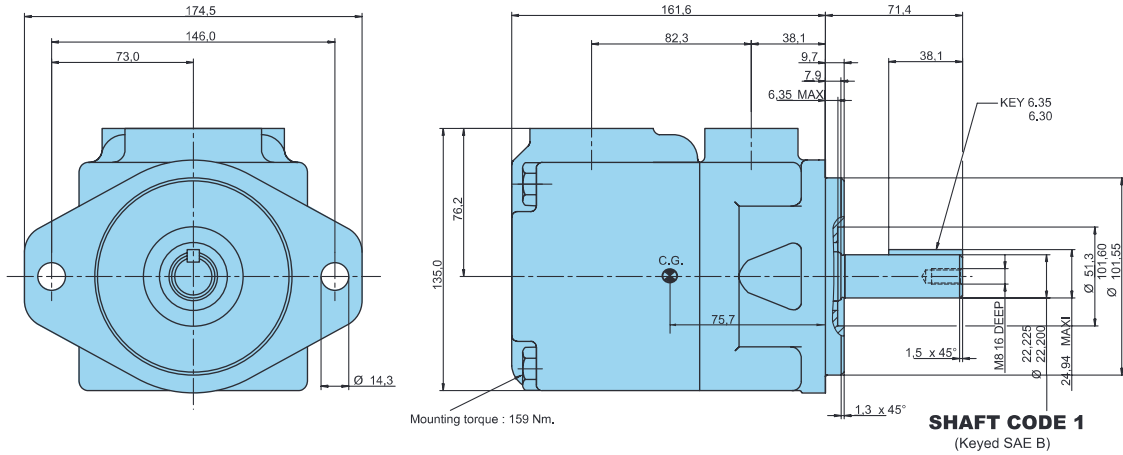
Do not operate pump more than 5 seconds at any speed or viscosity if internal leakage is higher than 50% of theoretical flow.

NOISE LEVEL (TYPICAL) - T6C - B22

POWER LOSS HYDROMECHANICAL (TYPICAL)

PERMISSIBLE RADIAL LOAD


Maximum permissible axial load Fa = 800 N



Catalogue HY29-0001/UK

T6C - Dimensions - Weight : 15,7 kg
Hydraulic Pumps
T7/T67/T6C Industrial, Denison Vane Pumps


Shaft torque limits [ml/rev. x bar]	
Shaft	Vi x p max.
1	16340
2	14300
3	20600
4	21800

OPERATING CHARACTERISTICS - TYPICAL [24 cSt]

Pressure port	Series	Vi Volumetric displacement	Flow q _v [l/min] & n = 1500 RPM			Input power P [kW] & n = 1500 RPM		
			p = 0 bar	p = 140 bar	p = 240 bar	p = 7 bar	p = 140 bar	p = 240 bar
T6C	B03	10,8 ml/rev	16,2	11,2	7,7	1,3	5,3	8,4
	B05	17,2 ml/rev	25,8	20,8	17,3	1,4	7,5	12,2
	B06	21,3 ml/rev	31,9	26,9	23,4	1,5	8,9	14,7
	B08	26,4 ml/rev	39,6	34,6	31,1	1,6	10,7	17,7
	B10	34,1 ml/rev	51,1	46,1	42,6	1,7	13,4	22,3
	B12	37,1 ml/rev	55,6	50,6	47,1	1,7	14,4	24,1
	B14	46,0 ml/rev	69,0	64,0	60,5	1,9	17,6	29,5
	B17	58,3 ml/rev	87,4	82,4	78,9	2,1	21,9	36,9
	B20	63,8 ml/rev	95,7	90,7	87,2	2,2	23,8	40,2
	B22	70,3 ml/rev	105,4	100,4	96,9	2,3	26,1	44,1
	B25	79,3 ml/rev	118,9	113,9	110,4	2,5	29,2	49,5
	B28	88,8 ml/rev	133,2	128,2	125,8 ¹⁾	2,8	32,7	48,5 ¹⁾
	B31	100,0 ml/rev	150,0	145,0	142,6 ¹⁾	2,8	36,5	54,4 ¹⁾

¹⁾ B28 - B31 = 210 bar max. int.

²⁾ Port connection can be supplied with metric threads (Please contact Parker).
