

MONOBLOCK DIRECTIONAL
CONTROL VALVE

SD5

SD5

Features

Simple, compact and heavy duty designed monoblock valves from 1 to 7 sections for open and closed centre hydraulic systems..

- Fitted with a main pressure relief valve and a load check valve.
- Available with parallel, series or tandem circuit.
- Optional carry-over port (only for parallel or tandem circuit).
- Diameter 16 mm - 0.63 in interchangeable spools.
- A wide variety of service port valve options.
- Actuation is manual, pneumatic, electro-pneumatic, hydraulic, electro-hydraulic, with solenoid and remote with flexible cables spool control kits.

Additional information

This catalogue shows the product in the most standard configurations.
Please contact Sales Dpt. for more detailed information or special request.

WARNING!

All specifications of this catalogue refer to the standard product at this date.
Walvoil, oriented to a continuous improvement, reserves the right to discontinue, modify or revise the specifications, without notice.

WALVOIL IS NOT RESPONSIBLE FOR ANY DAMAGE CAUSED BY AN
INCORRECT USE OF THE PRODUCT.

3rd edition September 2012:

This edition supercedes all prior documents.

Working condition	4
Performance data	5
Directional valve with left inlet	7
Directional valve with right inlet	77
Installation and maintenance	126
Accessories	129

SD5

Working conditions

This catalogue shows technical specifications and diagrams measured with mineral oil of 46 mm²/s - 46 cSt viscosity at 40°C temperature.

Nominal flow rating		45 l/min	
Operating pressure (max.)	<i>parallel pr tandem circuit</i>	315 bar	4600 psi
	<i>series circuit</i>	250 bar	3600 psi
Max. back pressure	<i>on outlet port T</i>	25 bar	360 psi
Internal leakage A(B)→T	$\Delta p=100 \text{ bar} - 1450 \text{ psi}$ with fluid and valve at 40 °C	3 cm ³ /min	0.18 in ³ /min
Hydraulic fluid		Mineral base oil	
Fluid temperature	<i>with NBR seals</i>	from -20° to 80°C	
	<i>with FPM seals</i>	from -20° to 100°C	
Viscosity	<i>operating range</i>	from 15 to 75 mm ² /s	from 15 to 75 cSt
	<i>minimum</i>	12 mm ² /s	12 cSt
	<i>maximum</i>	400 mm ² /s	400 cSt
Max. level of contamination		19/16 - ISO 4406	
Ambient temperature	<i>with mechanical, pneumatic and hydraulic devices</i>	from -40° to 60°C	
	<i>with electric devices</i>	from -20° to 60°C	

NOTE - For different conditions please contact Sales Dept.

Standard threads

REFERENCE STANDARDS

		BSP	UN-UNF	METRIC	NPTF
THREAD ACCORDING TO		ISO 228/1	ISO 263	ISO 262	ANSI B1.20.3
		BS 2779	ANSI B1.1 unified		
CAVITY ACCORDING TO	ISO	1179	11926	9974-1	
	SAE		J1926	J2244	J476a
	DIN	3852-2 shape X o Y		3852-1 shape X o Y	

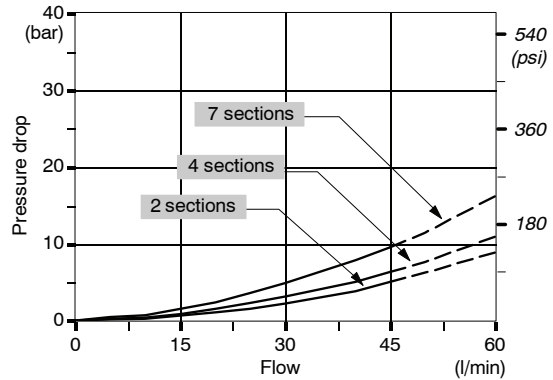
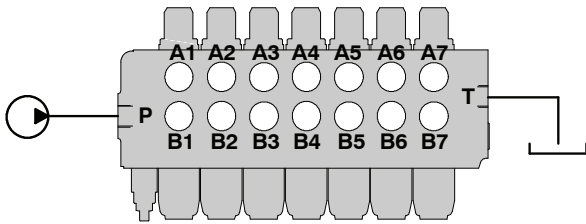
PORTS THREAD

MAIN PORTS	BSP	UN-UNF	METRIC A
Inlet P and carry-over C	G 3/8	3/4-16 (SAE 8)	M18x1,5
Ports A and B	G 3/8	9/16-18 (SAE 6)	M18x1,5
Outlet T	G 3/8	3/4-16 (SAE 8)	M18x1,5
	G 1/2 *		M22x1,5 *
CONTROL PILOT PORTS			
Pneumatics	NPTF 1/8-27	NPTF 1/8-27	NPTF 1/8-27
Hydraulics	G 1/4	9/16-18 (SAE 6)	G 1/4

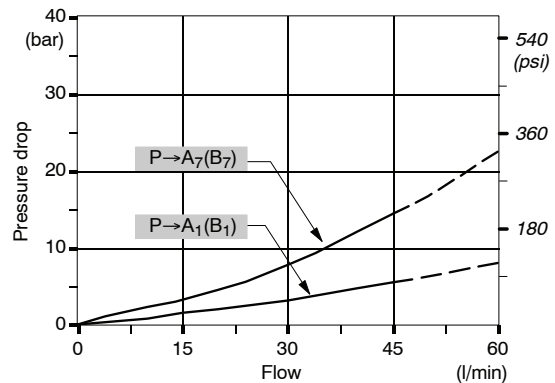
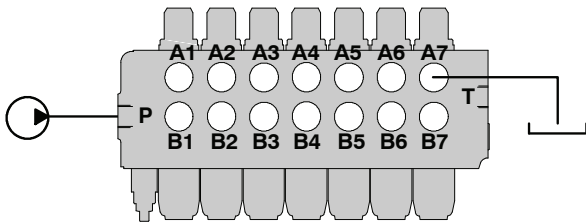
(*) - Only for series circuit..

Performance data (pressure drop vs. flow)
Open centre

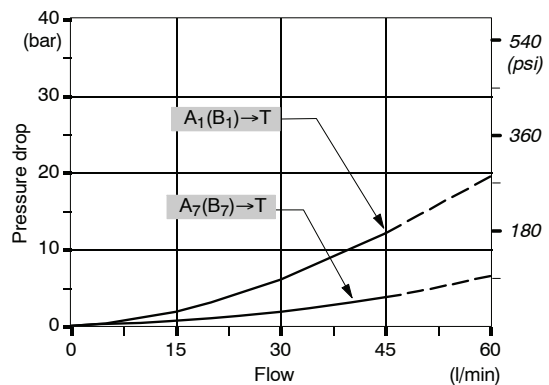
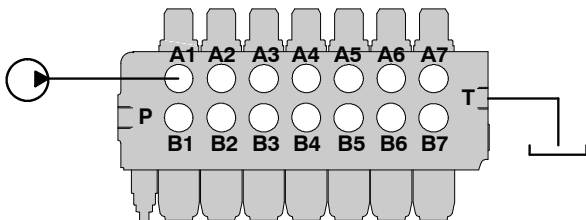
From side inlet to side outlet.


Inlet to work port

From side inlet to A port (spool in position 1) or B port (spool in position 2).


Work port to outlet

From A port (spool in position 2) or B port (spool in position 1) to side outlet.



NOTE - Measured with spool type 1.

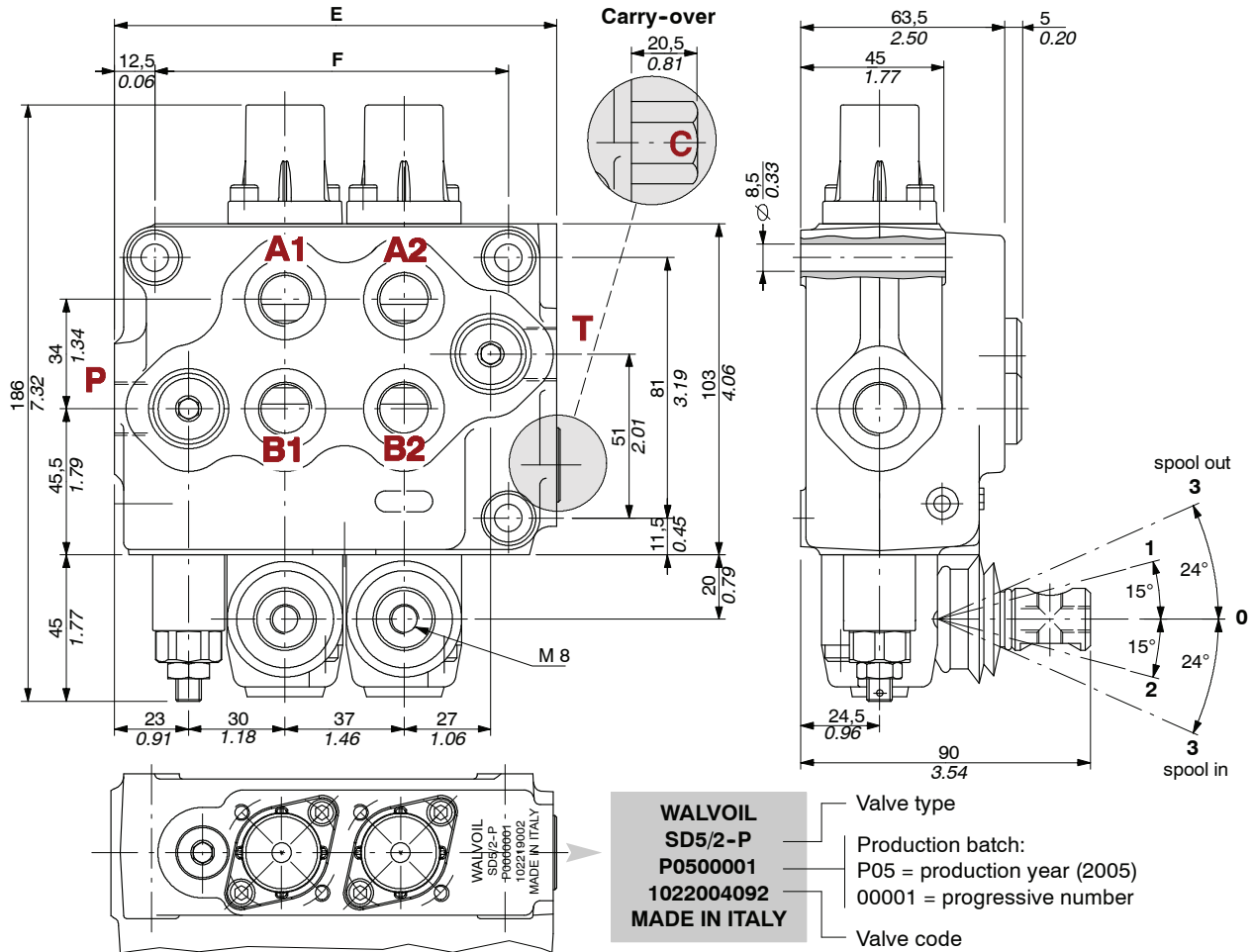
SD5





Directional valve with parallel circuit

Dimensional data	8
Hydraulic circuit	9
Ordering codes	10
Inlet relief options	12
Spools	13
“A” side spool positioners	20
“B” side options	39
Complete controls	44
Outlet port options	49
Service and auxiliary valves	
ordering codes	52
port relief valves	54
pilot check valves	56
flange mounted relief valves	55
antishock valves	57
fixed setting antishock and anticavitation valves	59
adjustable setting antishock and anticavitation valves	61
flow control valves	65
Other executions	
Main features	69
Directional valve SD5/1-N	70
Directional valve SD5/1-D	71
Directional valve SD5-S with series circuit	72
Directional valve SD5-SP with tandem circuit	74

SD5
directional valve with left inlet
Dimensional data (parallel circuit)


TYPE	E		F		Weight	
	mm	in	mm	in	kg	lb
SD5/1-P	100.5	3.96	73	2.87	3.5	7.7
SD5/2-P	137.5	5.41	110	4.33	5.2	11.5
SD5/3-P	174.5	6.87	147	5.79	6.9	15.2
SD5/4-P	211.5	8.33	184	7.24	8.1	17.9

TYPE	E		F		Weight	
	mm	in	mm	in	kg	lb
SD5/5-P	248.5	9.78	221	8.70	10.1	22.3
SD5/6-P	285.5	11.24	258	10.16	11.7	25.8
SD5/7-P	322.5	12.70	295	11.61	13.2	29.1

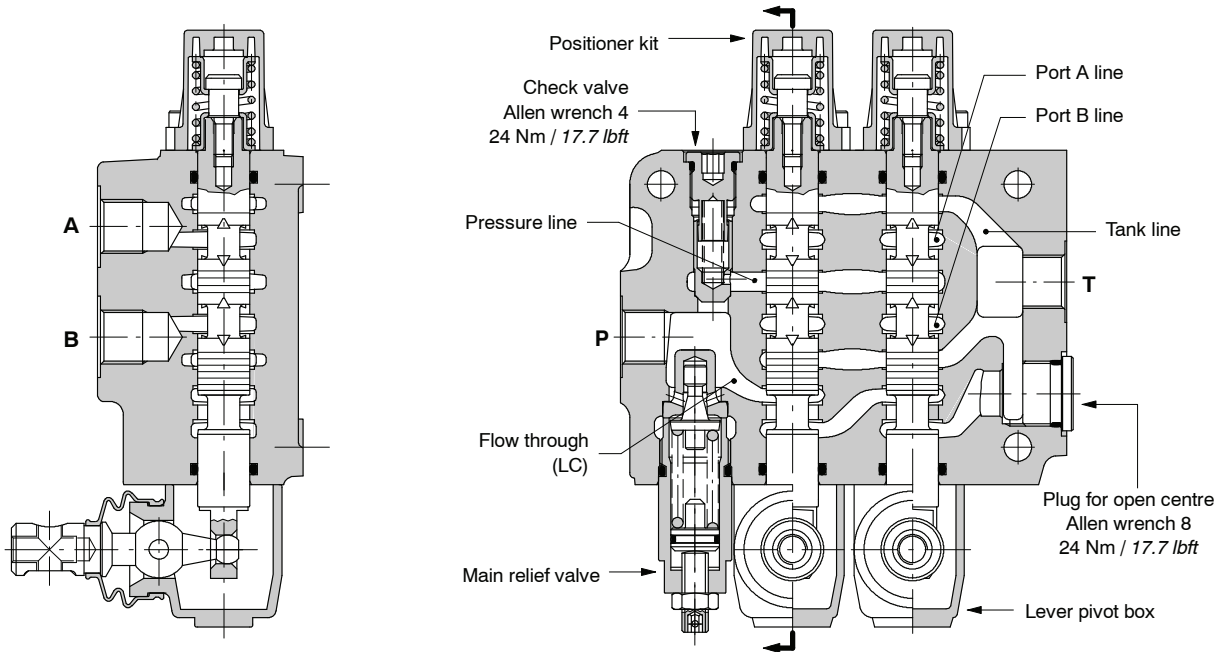
directional valve with left inlet

SD5

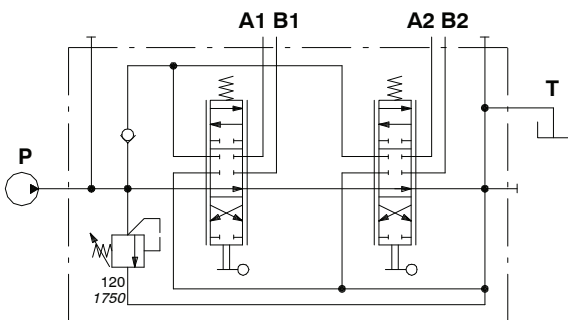
Hydraulic circuit

Parallel

Standard configuration with side inlet and outlet and open centre (AET execution).

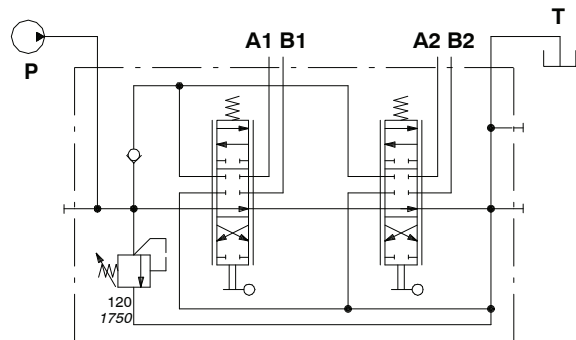


Standard configuration

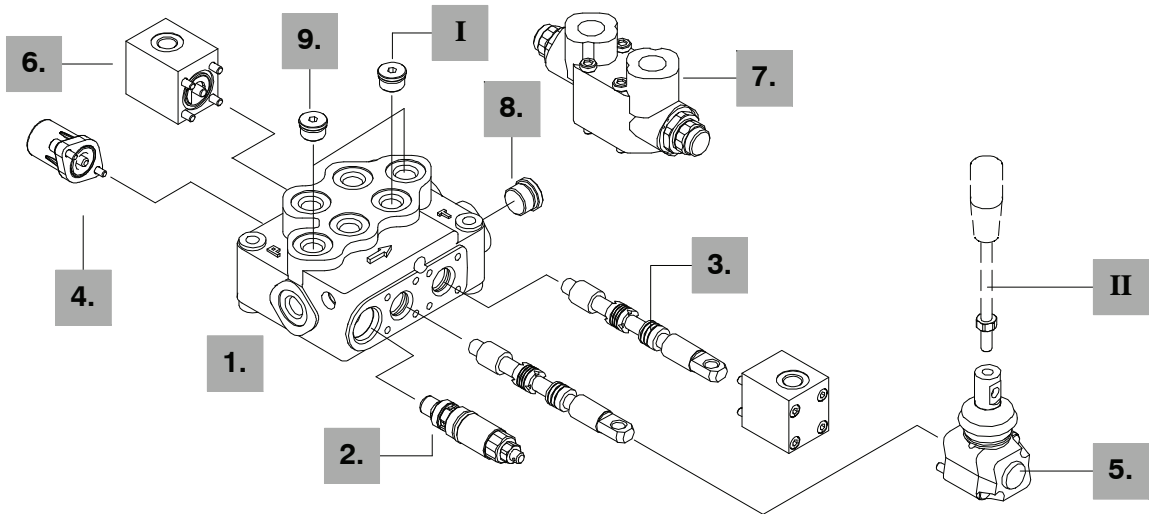
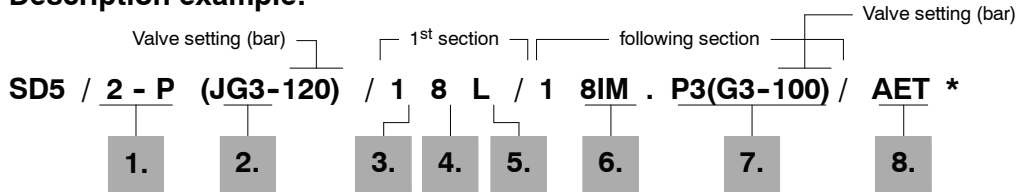


Description example
SD5/2-P(JG3-120)/18L/18L/AET

Configuration with upper inlet and outlet



Description example:
SD5/2-P(JG3-120)/18L/18L/AET-PSA

SD5
directional valve with left inlet
Ordering codes
Description example:

1. Body kits *

TYPE	CODE	DESCRIPTION
1-P	5KC1193000	Parallel, 1 section
2-P	5KC1223000	Parallel, 2 sections
3-P	5KC1243000	Parallel, 3 sections
4-P	5KC1273000	Parallel, 4 sections
5-P	5KC1313000	Parallel, 5 sections
6-P	5KC1353000	Parallel, 6 sections
7-P	5KC13E3000	Parallel, 7 sections

Include body, seals and load check valve.

2. Inlet relief options page 12

TYPE	CODE	DESCRIPTION
<u>VMD5 direct pressure relief valve type J</u>		
Standard setting is referred to 10 l/min flow.		
(JG2-63)	5KIT105412	Range 40 to 63 bar / 580 to 900 psi standard setting 63 bar / 900 psi
(JG3-120)	5KIT105413	Range 50 to 200 bar / 725 to 2900 psi standard setting 120 bar / 1750 psi
(JG4-220)	5KIT105414	Range 160 to 315 bar / 2300 to 4600 psi standard setting 220 bar / 3200 psi
SV	XTAP623282	Relief valve blanking plug

3. Spool options page 13

TYPE	CODE	DESCRIPTION
1	3CU1210130	Double acting, 3 positions, with A and B closed in neutral position
1A	3CU1221130	Double acting, 3 positions, with A open to tank in neutral position
1B	3CU1222130	Double acting, 3 positions, with B open to tank in neutral position
2	3CU1225130	Double acting, 3 positions, with A and B open to tank in neutral position
2H	3CU1225225	Double acting, 3 positions, with A e B partially open to tank in neutral position
3	3CU1231130	Single acting on A, 3 positions, B plugged requires G3/8 plug (see part I)
<u>Special spools for particular positioner kits</u> page 16		
5DY	3CU1242220	Double acting, 4 positions, floating circuit in 4 th position with spool in
5PY	3CU1245620	Double acting, 4 positions, floating circuit in 4 th position with spool out, with check valve
8	3CU1262120	Double acting, 4 positions, regenerative circuit in 4 th position with spool in
<u>Special spools for standard positioner kits</u> page 19		
8F	3CU1261100	Double acting, 3 positions, regenerative circuit in 2 nd position with spool out

NOTE (*) - Codes are referred to **BSP** threads.

directional valve with left inlet
SD5
Ordering codes
4. "A" side spool positioners page 20

TYPE	CODE	DESCRIPTION
8	5V08105000	With spring return in neutral position
8D	5V08105200	With spring return in neutral position and pin with M6 female thread for dual control
8D2	5V08105220	With spring return in neutral position and pin with M8 male thread for dual control
8F2	5V08105101	With spring return in neutral position and adjustable flow limiter
19	5V19105000	2 positions, with spring return in neutral position from position 1
20	5V19105000	2 positions, with spring return in neutral position from position 2
9	5V09105010	With detent in position 1 and spring return in neutral position
10	5V10105010	With detent in position 2 and spring return in neutral position
11	5V11105000	Detent in positions neutral, 1 and 2
12	5V12105000	Detent in positions 1 and 2
15	5V15105000	2 positions, detent in positions 1 and neutral
16	5V16105000	2 positions, detent in positions 2 and neutral
9BZ	5V09202010	With detent in position 1 and spring return in neutral position
10BZ	5V10202010	With detent in position 2 and spring return in neutral position
11BZ	5V11202010	Detent in positions 1 and 2 and spring return in neutral position
8K	5V08705112	With spring return in neutral position and 12 VDC spool solenoid lock device
	5V08705124	As previous, 24VDC
8RM2	5V08105590	With spring return in neutral position and 12VDC electromagnetic detent in pos. 2
	5V08105595	As previous, 24VDC
8MHE3(NC)	5V08105541	With spring return in neutral position and spool positioning ON/OFF electric signal circuit normally closed
8MHE3(NO)	5V08105540	As previous, with circuit normally open
8MS3	5V08105553	With spring return in neutral position, operation signalling in position 1 and 2, prearranged for centralized microswitch control: need KM connection kit
8MG3(NO)	5V08105660	With spring return in neutral position and microswitch in positions 1 and 2
8P	5V08105701	ON/OFF pneumatic kit
8EP3	5V08105735	ON/OFF 12 VDC electro-pneumatic kit
	5V08105740	ON/OFF 24 VDC electro-pneumatic kit
8ED3	5V08105350	ON/OFF 12 VDC electro-hydraulic kit
	5V08105351	ON/OFF 24 VDC electro-hydraulic kit

I "A" and "B" ports plugs *

TYPE	CODE	DESCRIPTION
G3/8	3XTAP722160	for single acting spool type 3

4. "A" side spool positioners

<u>Particular positioner kits for special spools</u> page 36		
13NZ	5V13305010	4 pos. with spring return in neutral pos. and detent in 4 th pos.: for spool 5DY
13QN	5V13405020	4 pos. with spring return in neutral pos. and detent in 4 th pos.: for spool 5PY
13FZ	5V13505400	4 positions with spring return in neutral position: for spool 8
13QNMG3(NO)	5V13405660	As type 13QN with microswitch in positions 1 and 2: for spool 5PY

5. "B" side options page 39

TYPE	CODE	DESCRIPTION
L	5LEV105000	Standard lever box
LM10	5LEV205000	Lever box for M10 handlever
LF1	5LEV105102	Lever box with adjustable flow limiter
LEB	5LEV605000	Safety lever box, vertical configuration
LUP	5LEV805005	Safety lever box, horizontal configuration
SLP	5COP105000	Without lever box, with dust-proof plate
SLC	5COP205000	Without lever box, with endcap
TQ	5TEL105110	Flexible cable connection
LCB	5CLO205100	Joystick lever for 2 sections operation

6. Complete controls page 44

Proportional hydraulic control type **8IM** and ON/OFF solenoid controls type **8ES** and **8ESN**.

7. Service valves page 52

Port relief, anti-shock, pilot operated check and flow regulation valves.

8. Outlet port option page 49

TYPE	CODE	DESCRIPTION
AET	XTAP623170	Open centre plug
AEK	3XTAP522282	Closed centre plug
AE	3XGIU522460*	G3/8 carry-over sleeve
AET-L	XCAR405300	With hydraulic pilot unloader valve
AET-LT	XTAP523370	Unloader valve blanking plug

Electric control unloader valve: for valves and coils list see page 50.

9. Inlet and outlet selection * page 9

TYPE	CODE	DESCRIPTION
PSL	3XTAP722160	Side ports; need n.2 G 3/8 plugs, standard configuration (omit in valve description)
PSA	3XTAP722160	Upper ports; need n.2 G 3/8 plugs

II Optional handlevers

TYPE	CODE	DESCRIPTION
AL01/M8x120	170011012	For lever L: height 120 mm / 4.72 in
AL01/M10x150	170012015	For lever LM10: height 150 mm / 5.91 in
AL08/M12x150	170013115	For joystick LCB: height 150 mm / 5.91 in

SD5

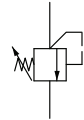
directional valve with left inlet

Inlet relief options

Direct pressure relief vave

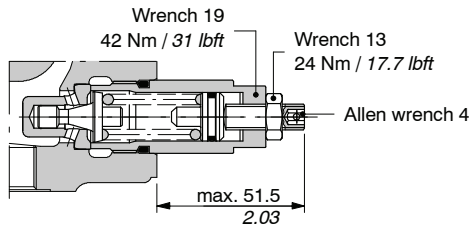
VMD5 (J G 3 - 120)

Standard setting in bar (for value see page 8)
Adjustable spring type (2, 3, 4).
Adjustment type (G, H)

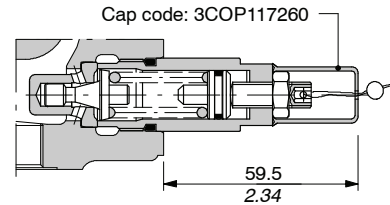


Adjustment type

G: with screw

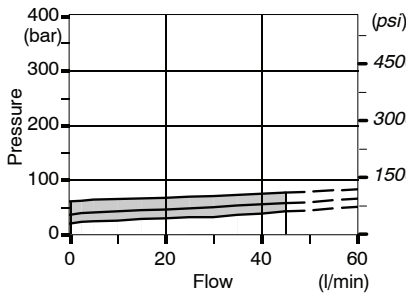


H: valve set and locked

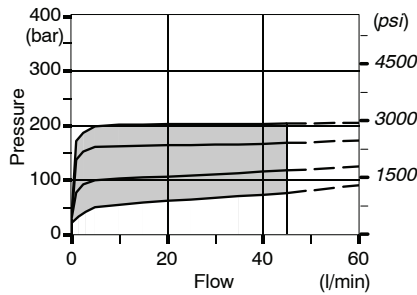


Performance data

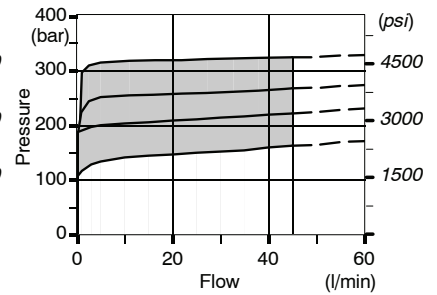
Spring nr. 2 (green band)



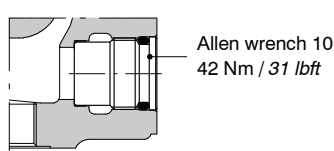
Spring nr. 3 (blue band)



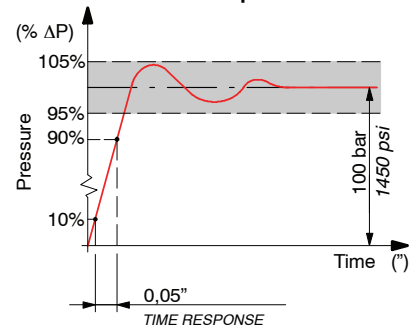
Spring nr. 4 (red band)



SV: relief valve blanking plug

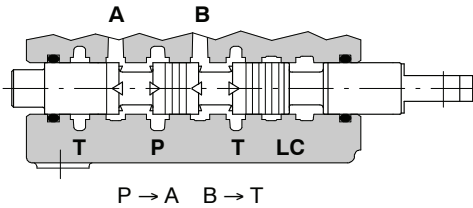


Time response

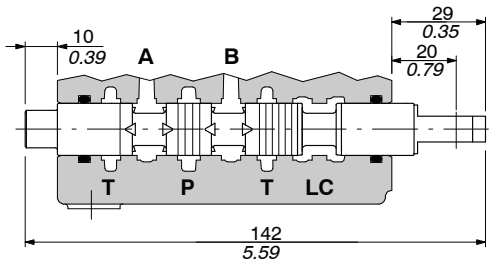
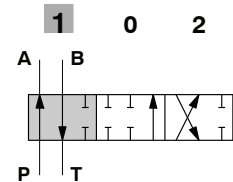


directional valve with left inlet
SD5
Spool options
Type 1

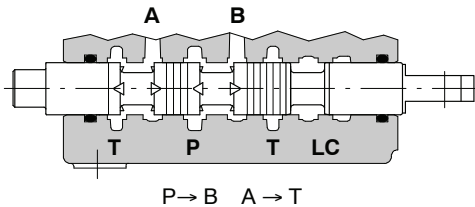
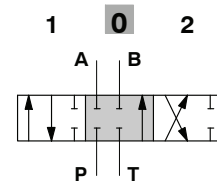
For special requirement, spool 1CS code **3CU1210200** suggested for flow from 15 to 30 l/min and spool 1CEX code **3CU1210230** suggested for flow up to 15 l/min, are available.



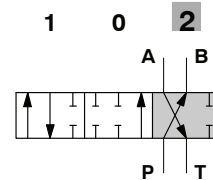
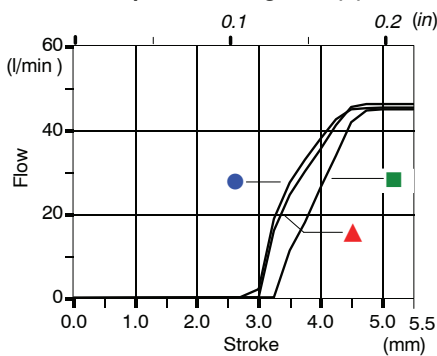
stroke:
+ 5.5 mm / 0.22 in



P-A-B-T closed, with flow through line (LC) open

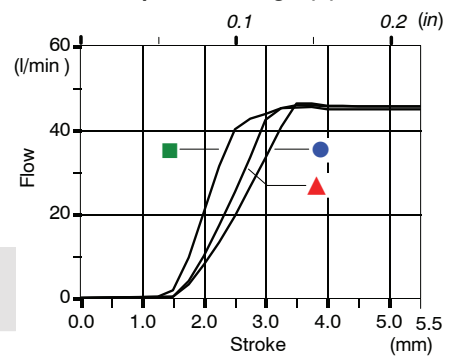


stroke:
+ 5.5 mm / 0.22 in


Performance data
Spool metering P → A(B)


Q_{in} = 45 l/min

- P_(on ports) = 63bar / 900 psi
- ▲ P_(on ports) = 100bar / 1450 psi
- P_(on ports) = 250bar / 3600 psi

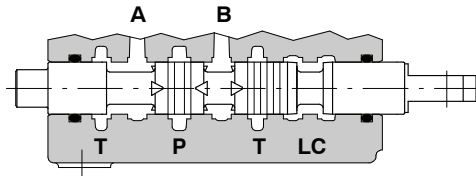
Spool metering A(B) → T


SD5

directional valve with left inlet

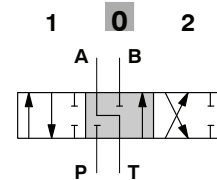
Spool options

Type 1A

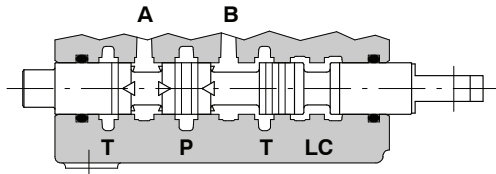


P-B closed, A→T, flow through line (LC) open

+ 5,5 mm / 0.22 in
(1) ▶
◀▶ (0)
◀ (2)
- 5,5 mm / 0.22 in

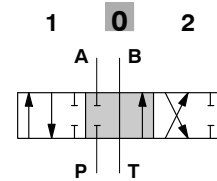


Type 1B

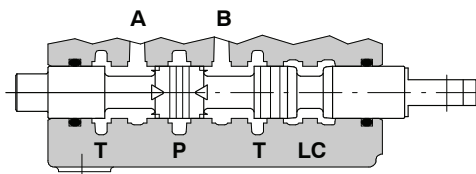


P-A closed, B→T, flow through line (LC) open

+ 5,5 mm / 0.22 in
(1) ▶
◀▶ (0)
◀ (2)
- 5,5 mm / 0.22 in

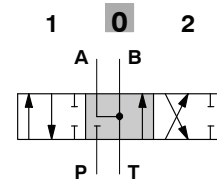


Type 2

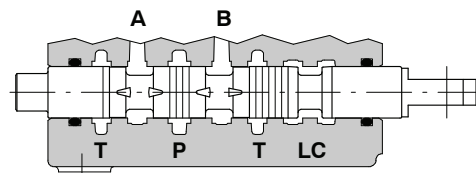


P closed, A-B→T, flow through line (LC) open

+ 5,5 mm / 0.22 in
(1) ▶
◀▶ (0)
◀ (2)
- 5,5 mm / 0.22 in

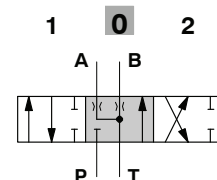


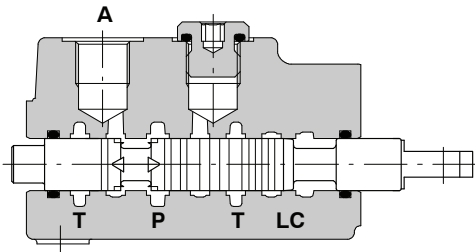
Type 2H



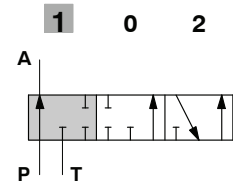
P closed, A-B partially open to tank,
flow through line (LC) open

+ 5,5 mm / 0.22 in
(1) ▶
◀▶ (0)
◀ (2)
- 5,5 mm / 0.22 in

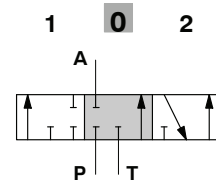
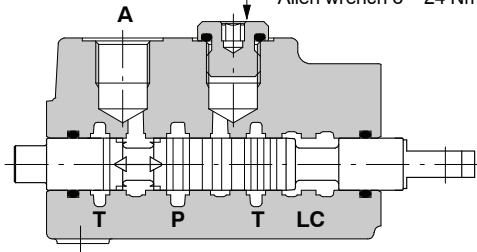


directional valve with left inlet
SD5
Spool options
Type 3


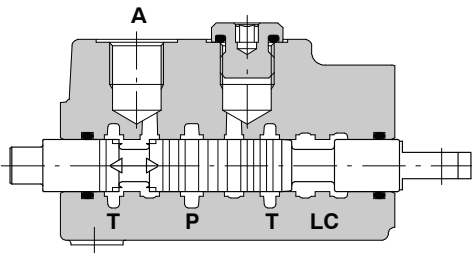
stroke:
+ 5.5 mm / 0.22 in



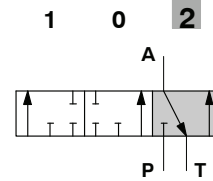
P → A

 Port B plugged
 Allen wrench 6 - 24 Nm / 17.7 lbf


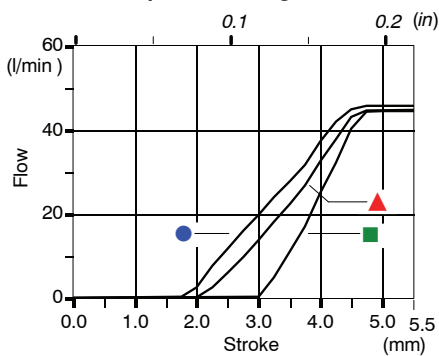
P-B-T closed, flow through line (LC) open



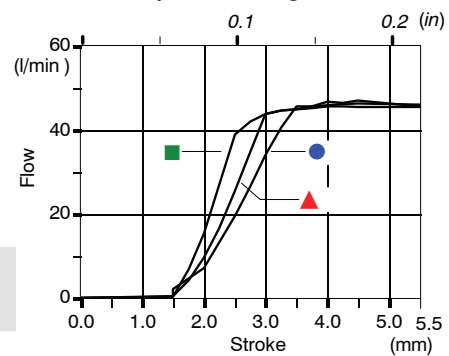
stroke:
- 5.5 mm / 0.22 in



A → T

Performance data
Spool metering P→A

Q_{in} = 45 l/min

- P_(on ports) = 63bar / 900 psi
- ▲ P_(on ports) = 100bar / 1450 psi
- P_(on ports) = 250bar / 3600 psi

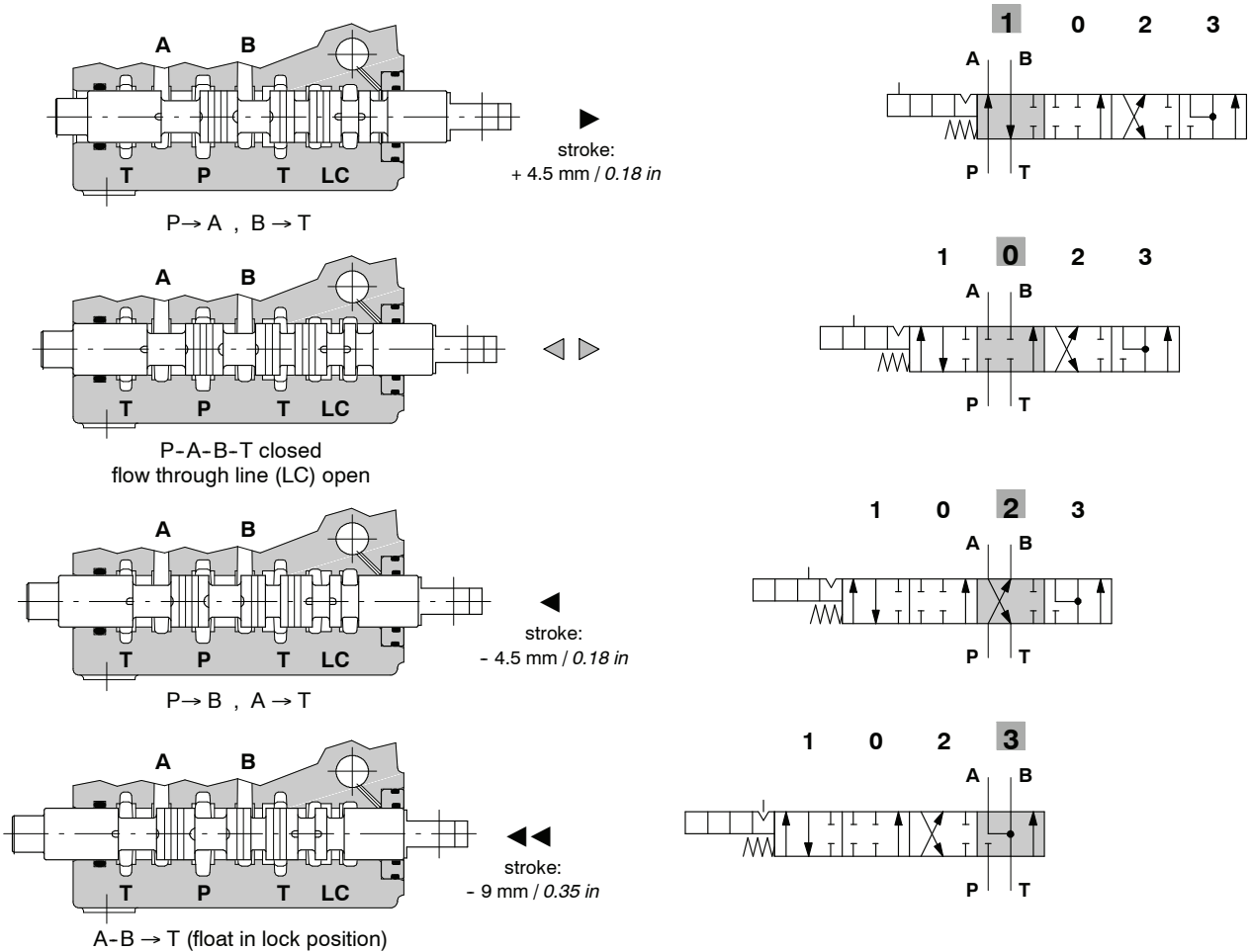
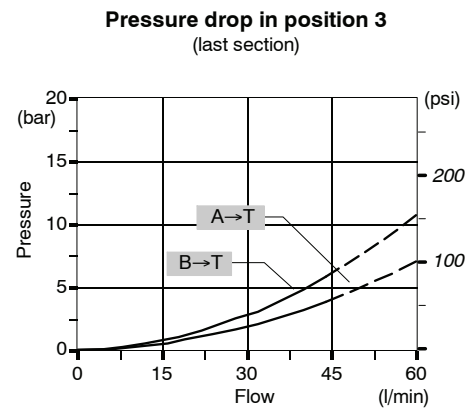
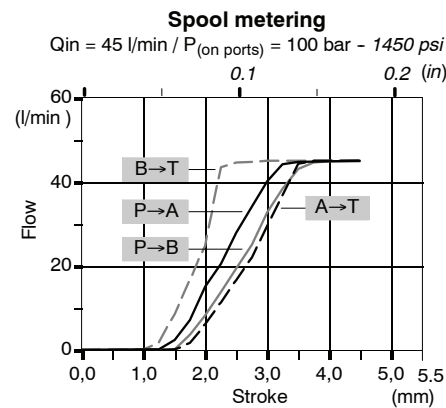
Spool metering A→T


SD5
directional valve with left inlet
Spools
Type 5DY

It needs special body with extra machining: for information please contact Sales Department.

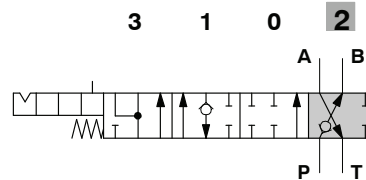
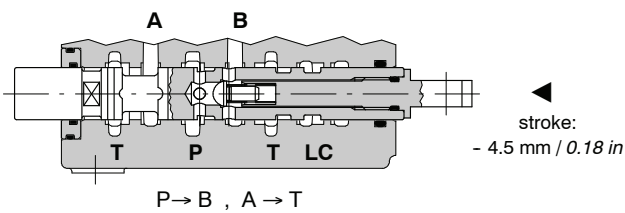
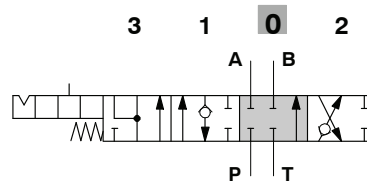
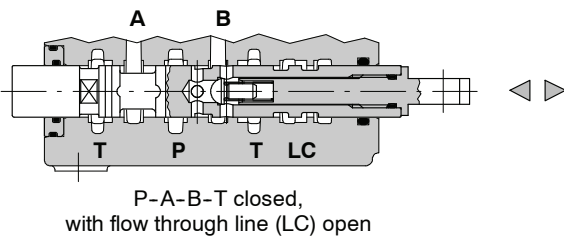
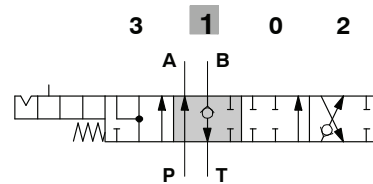
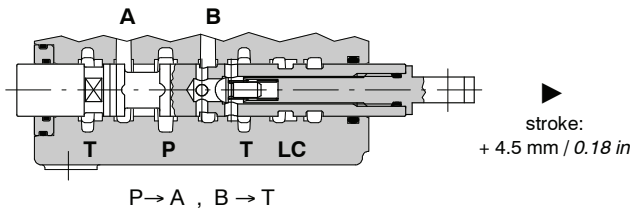
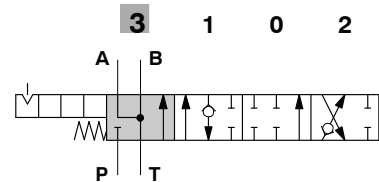
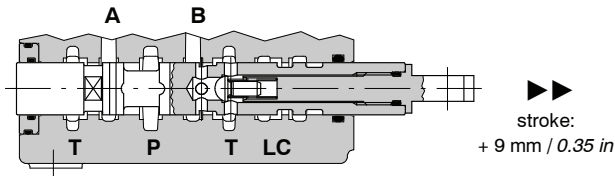
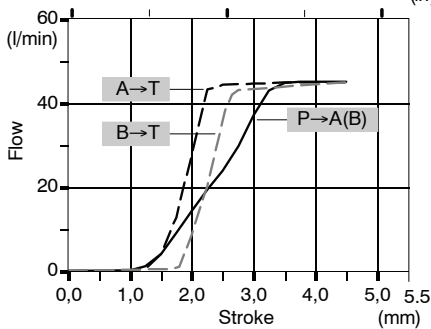
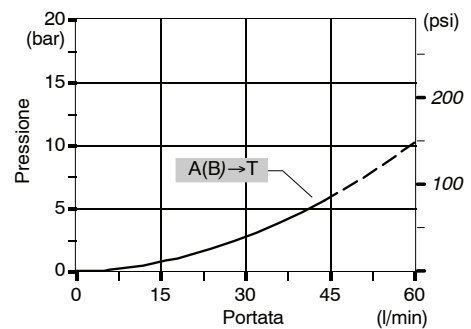
This spool must be coupled with positioner type **13NZ** (see page 36).

Also available spool with check valve on A port; type **5WY** code **3CU1242320**.


Performance data


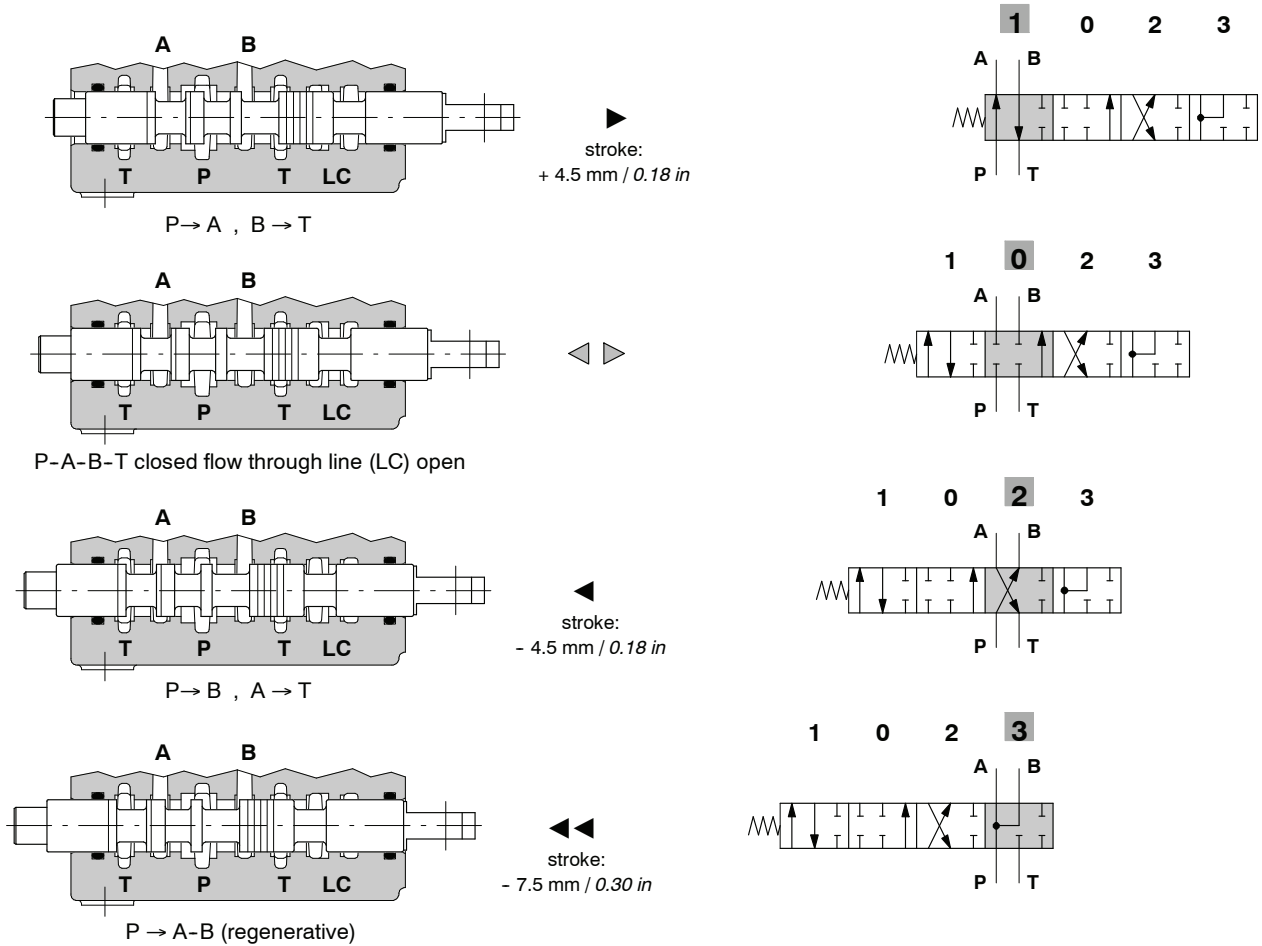
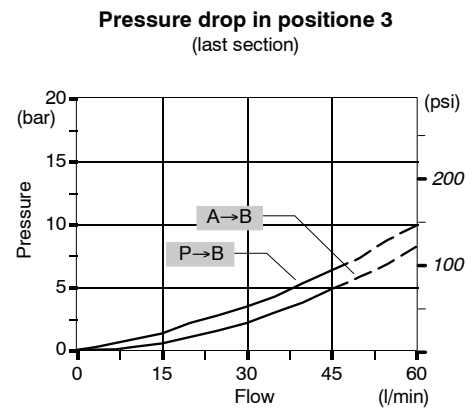
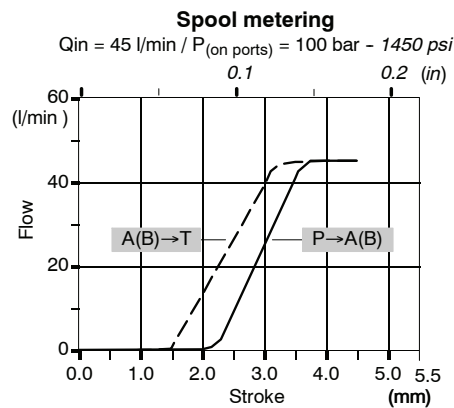
directional valve with left inlet
SD5
Spools options
Type 5PY

It needs special body with extra machining: for information please contact Sales Department.

 This spool must be coupled with positioner type **13QN** (see page 36) and **13QNMG3** (see page 37).

Performance data
Spool metering
 $Q_{in} = 45 \text{ l/min} / P_{(on ports)} = 100 \text{ bar} - 1450 \text{ psi}$

Pressure drop in position 3 (last section)


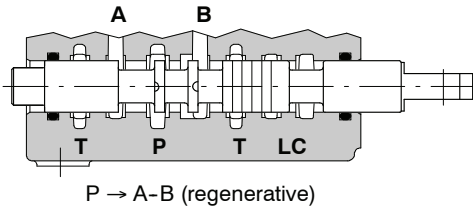
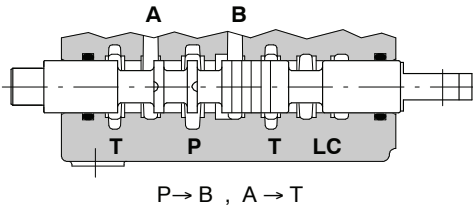
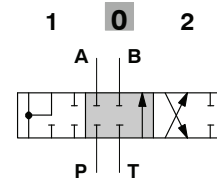
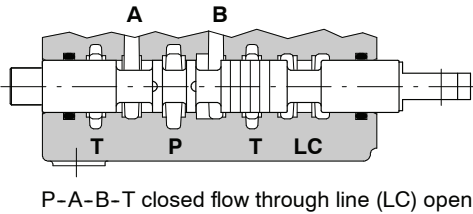
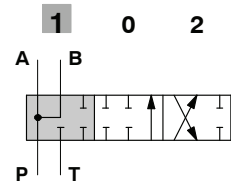
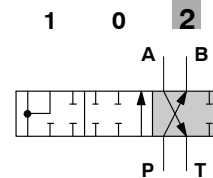
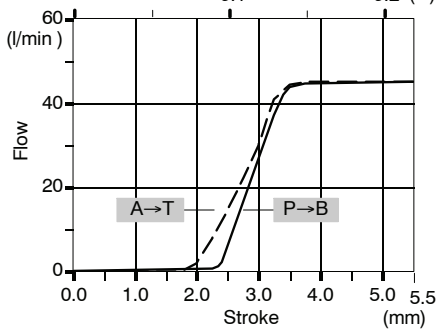
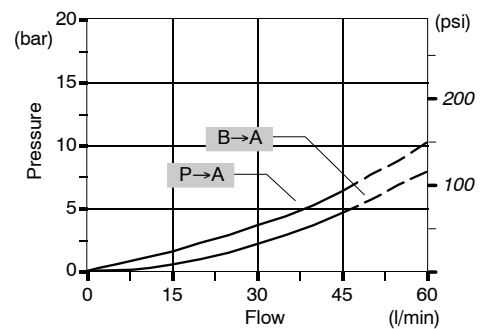
SD5
directional valve with left inlet
Spools
Type 8

It needs special body with extra machining: for information please contact Sales Department.
 This spool must be coupled with positioner type **13FZ** (see page 37).


Performance data


directional valve with left inlet
SD5
Spool options
Type 8F

It needs special body with extra machining: for information please contact Sales Department.


 stroke:
 + 5.5 mm / 0.22 in

 stroke:
 - 5.5 mm / 0.22 in

Performance data
Spool metering
 $Q_{in} = 45 \text{ l/min} / P_{(on ports)} = 100 \text{ bar} - 1450 \text{ psi}$

Pressure drop in position 1 (in first section)


SD5

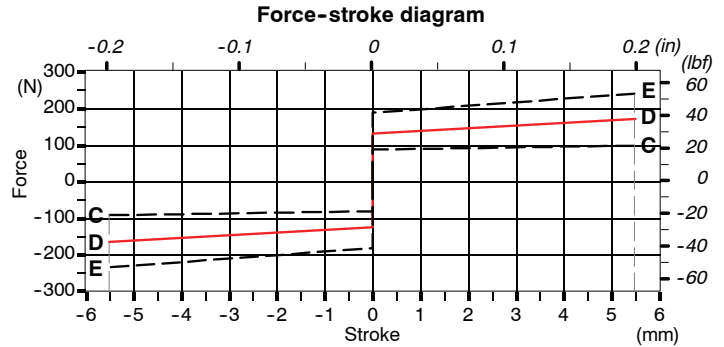
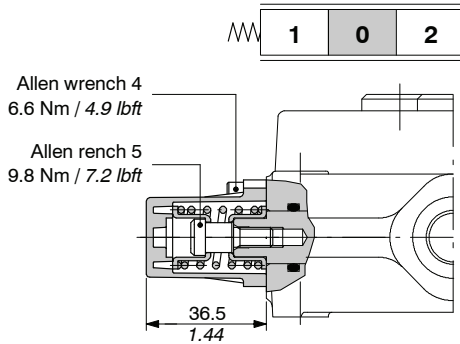
directional valve with left inlet

"A" side spool positioners

With spring return in neutral position

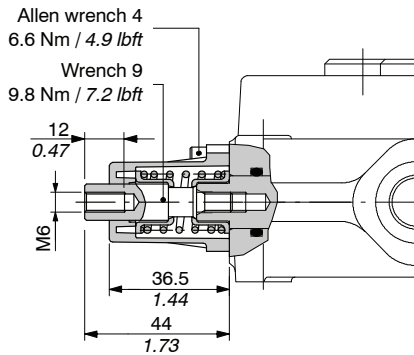
8 kit

It's supplied with standard spring type D (see force-stroke diagram) and available with lighter spring type C (8MC code: **5V08205000**) or heavier type E (8ME code: **5V08405000**).

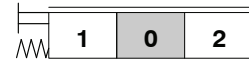
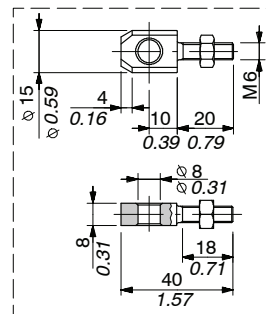


8D kit

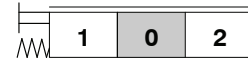
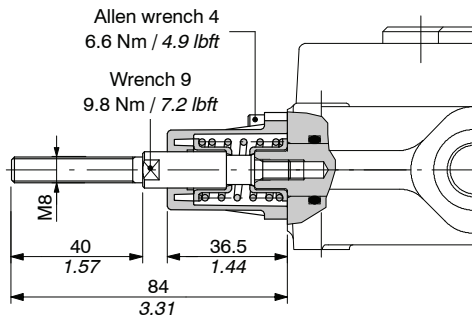
Spool end joint code **XPER315400**, is available on request in order to screw onto pin.

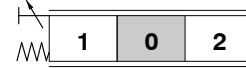
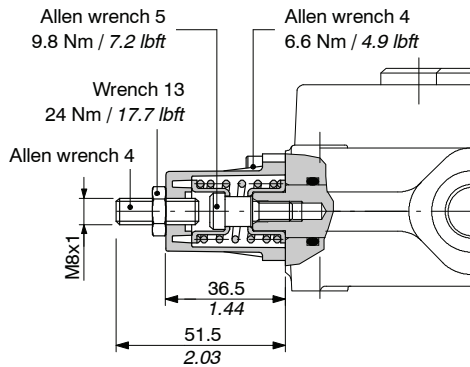
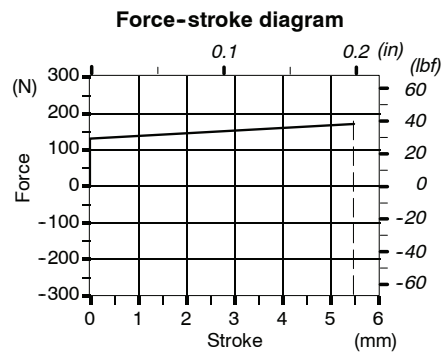
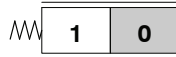
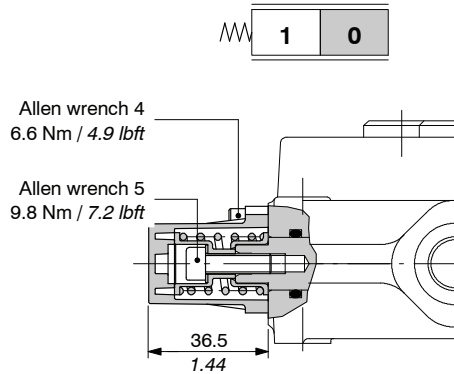
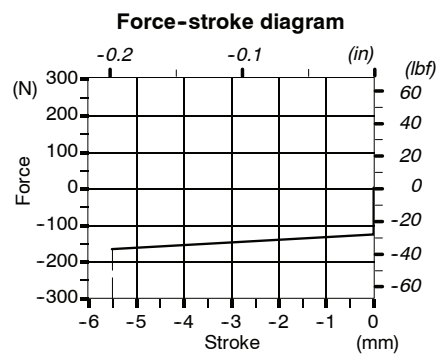
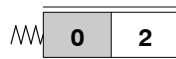
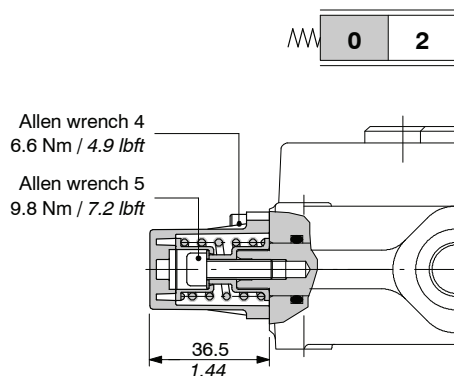


Spool end joint dimensions



8D2 kit



directional valve with left inlet
SD5
“A” side spool positioners
With spring return in neutral position
8F2 kit

19 kit

20 kit


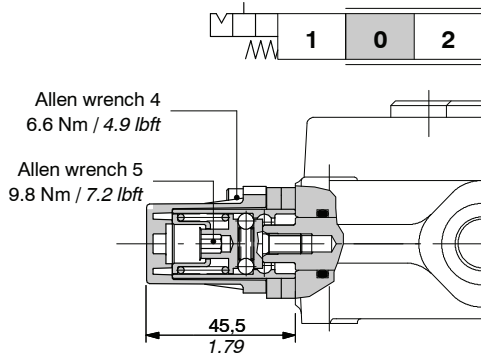
SD5

directional valve with left inlet

"A" side spool positioners

With detent

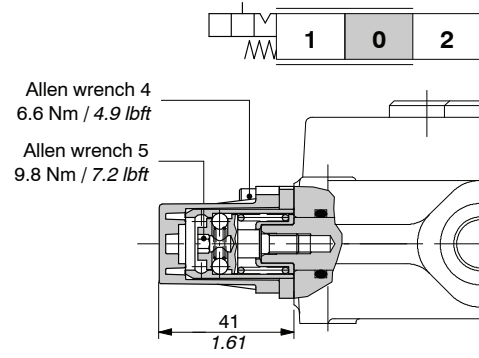
9 kit



Operating features

Locking force (from pos. 0 to 1) . . . : 150 N / 33.7 lbf ±10%
Release force (from pos. 1 to 0) . . . : 140 N / 31.5 lbf ±10%

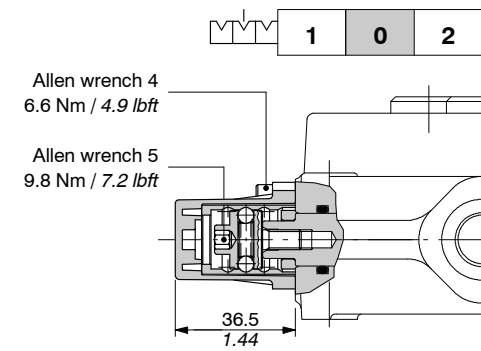
10 kit



Operating features

Locking force (from pos. 0 to 2) . . . : 150 N / 33.7 lbf ±10%
Release force (from pos. 2 to 0) . . . : 140 N / 31.5 lbf ±10%

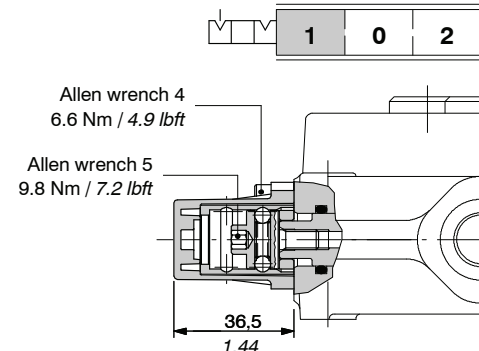
11 kit



Operating features

Locking and release force : 120 N / 27 lbf ±10%

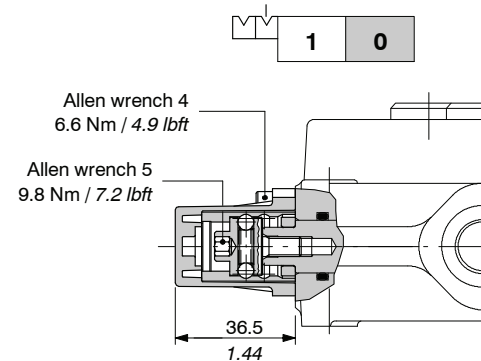
12 kit



Operating features

Locking and release force : 100 N / 22.5 lbf ±10%

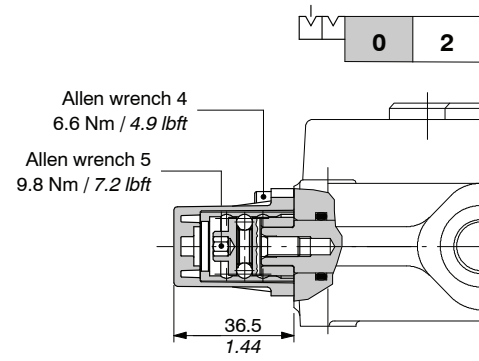
15 kit



Operating features

Locking and release force : 100 N / 22.5 lbf ±10%

16 kit



Operating features

Locking and release force : 100 N / 22.5 lbf ±10%

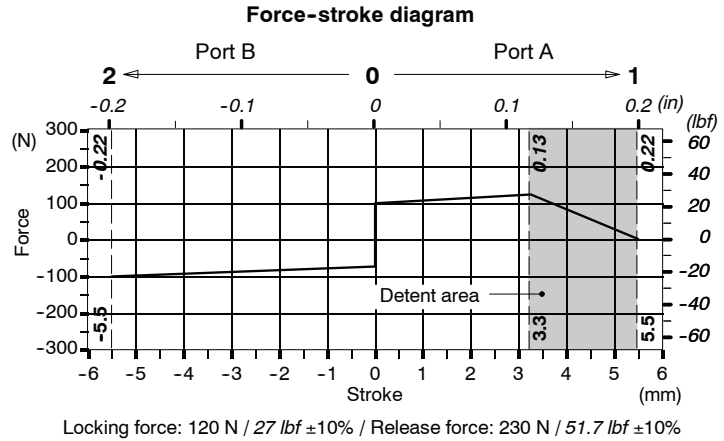
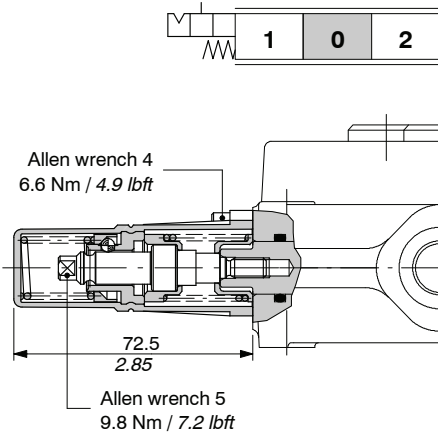
directional valve with left inlet

SD5

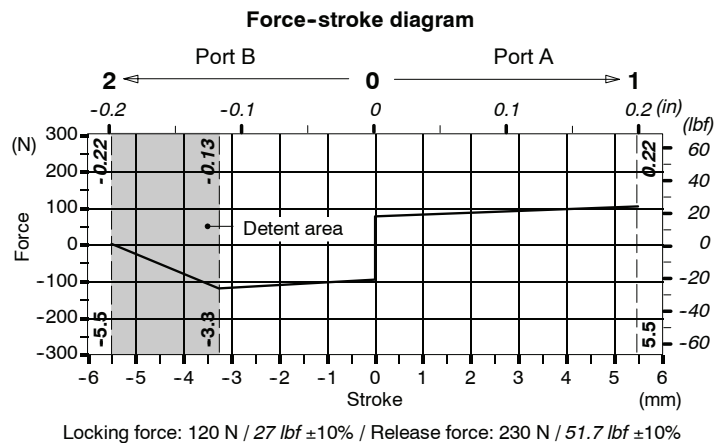
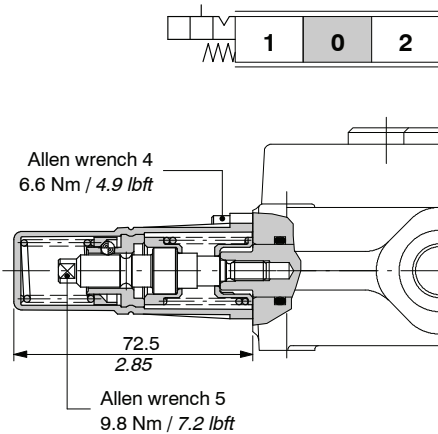
“A” side spool positioners

With detent and spring return to neutral position from either directions

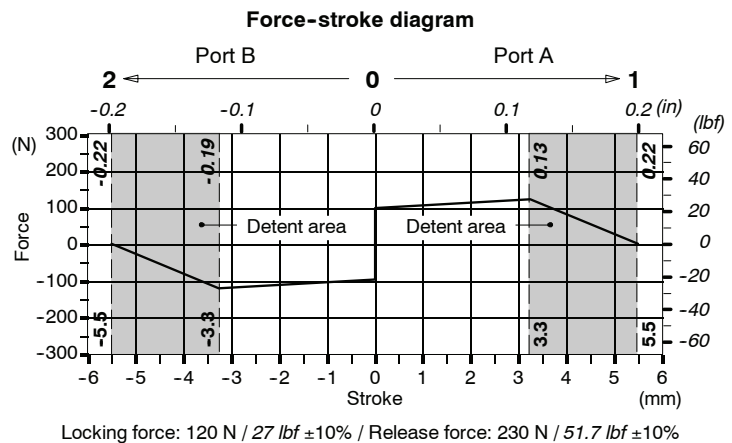
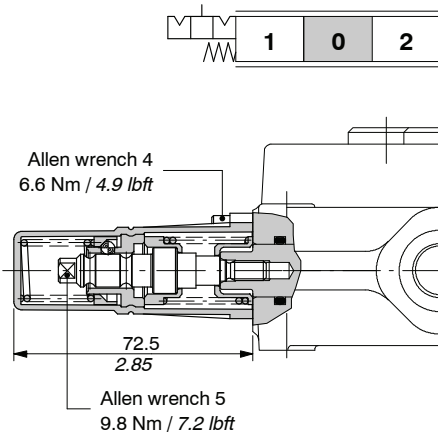
9BZ kit



10BZ kit



11BZ kit



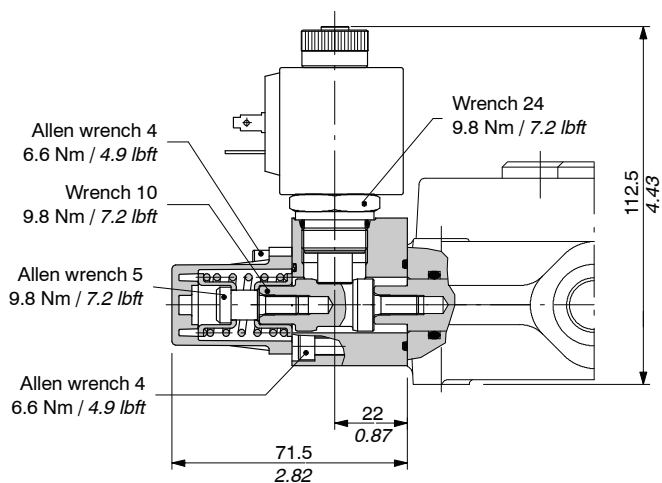
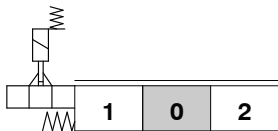
SD5

directional valve with left inlet

“A” side spool positioners

Solenoid lock device type 8K

With spring return and spool electromechanical lock in neutral position; when coil is feeded the spool can be moved.



NOTE - The kit control must be turned at 180°. when pilot operated check valves are fitted.

COMPLETE CONTROLS CODES

	CONNECTION TYPE		
	ISO4400	Deutsch DT	Packard M-Pack
	CONTROL TYPE		
Voltage	8K	8K4	8K6
12 VDC	5V08705112	5V08705412	5V08705612
24 VDC	5V08705124	5V08705424	5V08705624
Need connector (see page 129)	C02	C19	C20

Operating features

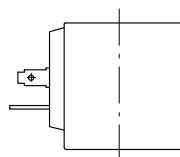
ACTUATOR

Lock stroke : 3.5 mm / 0.14 in

COIL

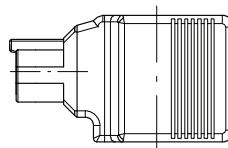
Depending on model: see following features

Coil with ISO4400 connector



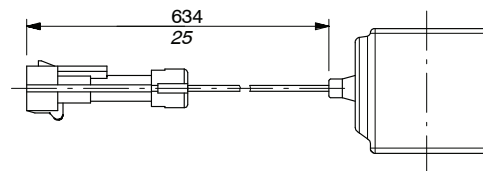
Nom. voltage tolerance : ±10%
 Power rating : 18 W
 Nominal current : 1.58 A - 12 VDC
 : 0.81 A - 24VDC
 Coil insulation : Class F
 Weather protection : IP65
 Duty cycle : 100%

Coil with Deutsch DT connector



Nom. voltage tolerance : ±10%
 Power rating : 22 W
 Nominal current : 1.9 A - 12 VDC
 : 0.95 A - 24VDC
 Coil insulation : Class H
 Weather protection : IP65
 Duty cycle : 100%

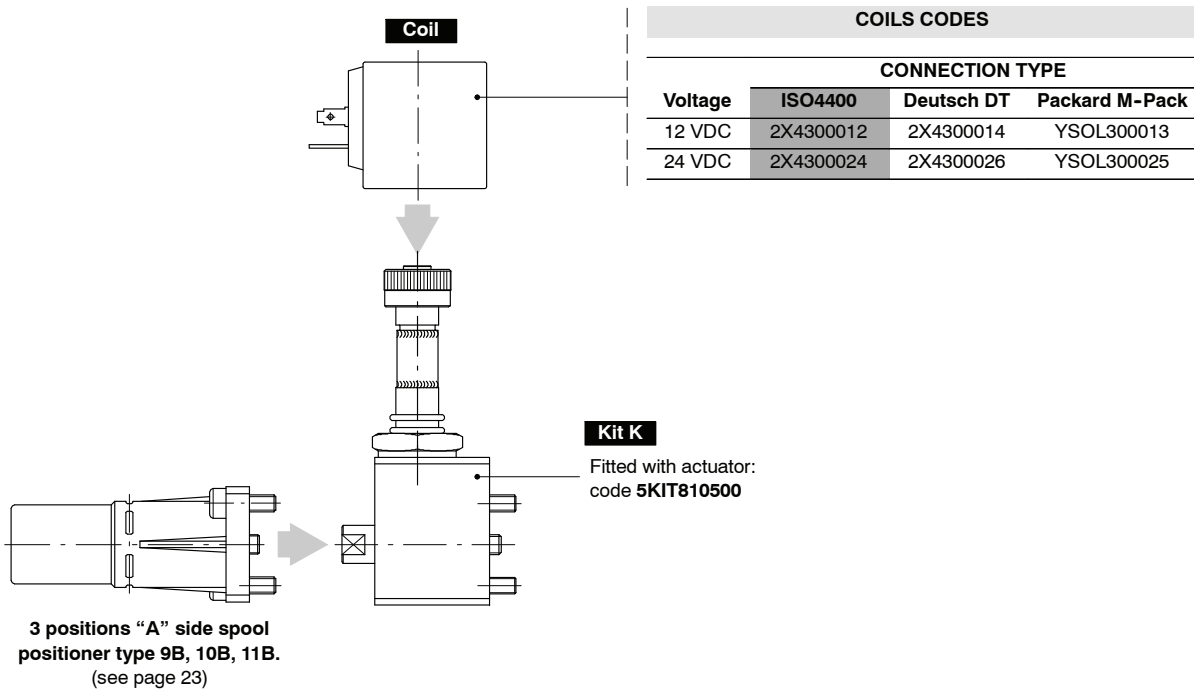
Coil with Packard M-Pack connector



Nom. voltage tolerance : ±10%
 Power rating : 18 W
 Nominal current : 1.58 A - 12 VDC
 : 0.81 A - 24VDC
 Coil insulation : Class F
 Weather protection : IP65
 Duty cycle : 100%

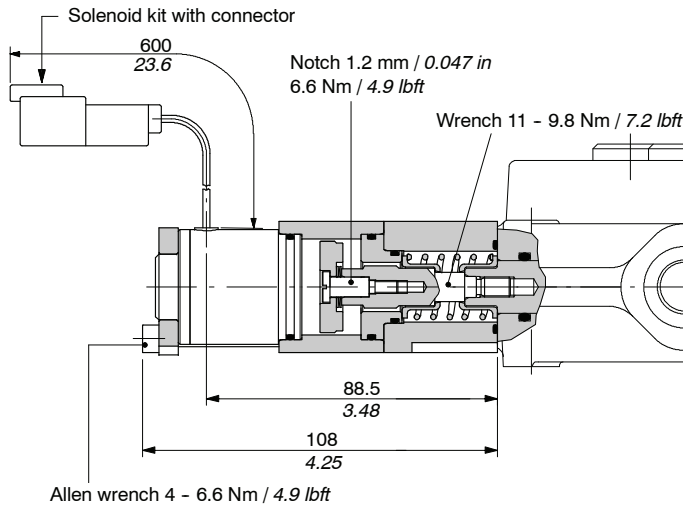
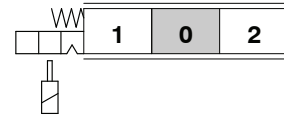
directional valve with left inlet
SD5
“A” side spool positioner
Solenoid lock device type 8K
More configurations and spare parts

It's possible to obtain further configurations of complete control, using the K kit, coils and 3 positions “A” side spool positioner, as following draw: for information contact Sales Department.



SD5
directional valve with left inlet
“A” side spool positioners
Electromagnetic detent type 8RM2

With electromagnetic detent in position 2 and spring return to neutral position.


Operating features
COIL

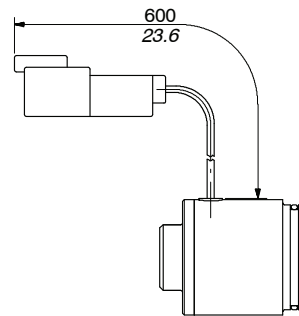
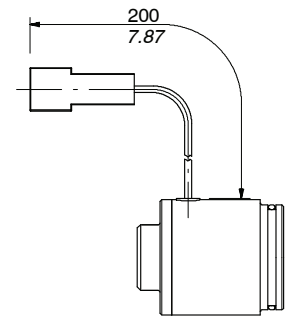
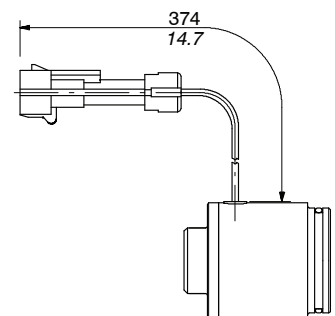
Nominal voltage	: 12 / 24 VDC ± 10%
Power rating	: 5,5 W
Resistance (20 °C)	: 26,5 / ??? Ohm
Min unlocking force	: 45 N / 49.5 lbf
Duty cycle	: 100%

COMPLETE CONTROLS CODES

	CONNECTION TYPE		
	Deutsch DT	AMP	Packard M-Pack
	CONTROL DESCRIPTION		
Voltage	8RM2	8RM2A(200)	
12 VDC	5V08105590	5V08105591	5V08105593
24 VDC	5V08105595	5V08105596	5V08105598
Need connector (see page 129)	C19	C21	C20

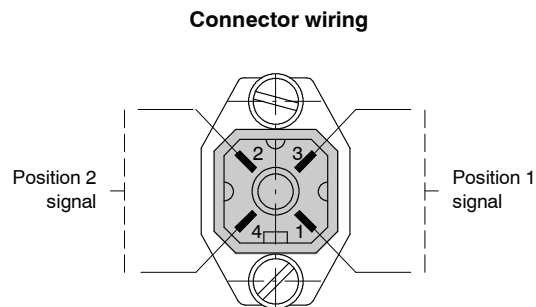
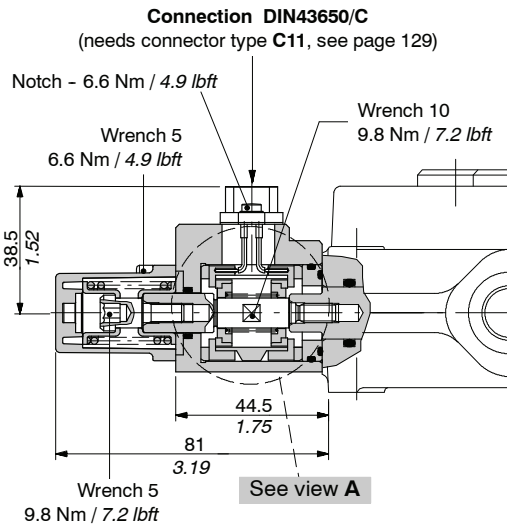
COILS CODES

Voltage	CONNECTION TYPE		
	Deutsch DT	AMP	Packard M-Pack
12 VDC	YSOL532455	YSOL532452	YSOL532451
24 VDC	YSOL532456	YSOL532458	YSOL532457

Coil with Deutsch DT connection

Coil with AMP Fastin-Faston connection

Coil with Packard M-Pack connection


directional valve with left inlet
SD5
“A” side spool positioners
8MHE3 kit: with spring return in neutral position and spool positioning ON/OFF signal

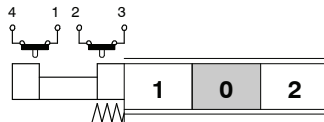
This module supplies two different ON/OFF signals, related to the direction of the spool.
 It has two separate contacts which can be normally open or normally closed.


Operating features

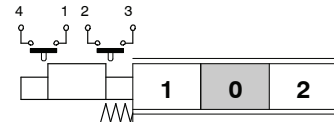
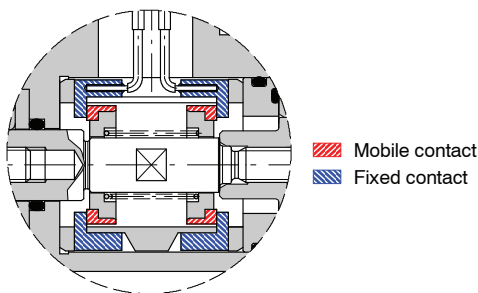
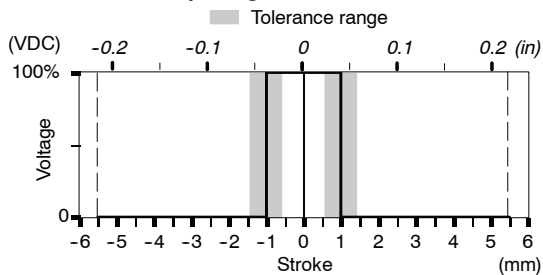
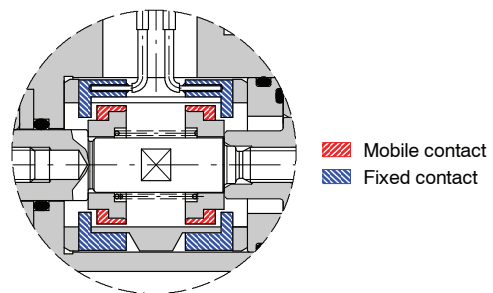
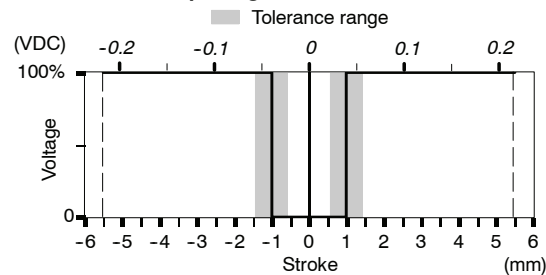
Power supply range : from 3 da 28 VDC
 Max. output current . : 500 mA
 Weather protection . : IP65

8MHE3(NC) kit

Configuration with normally closed circuit


8MHE3(NO) kit

Configuration with normally open circuit


View A

Output signal with NC circuit

View A

Output signal with NO circuit


SD5

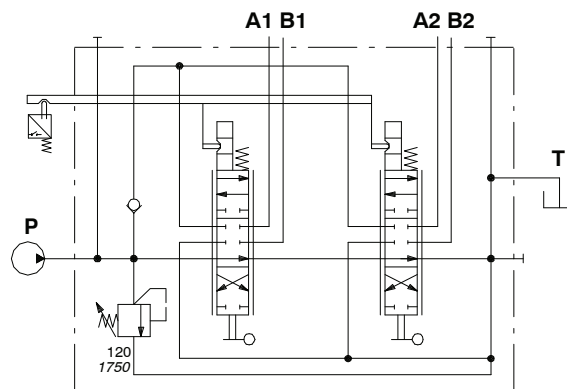
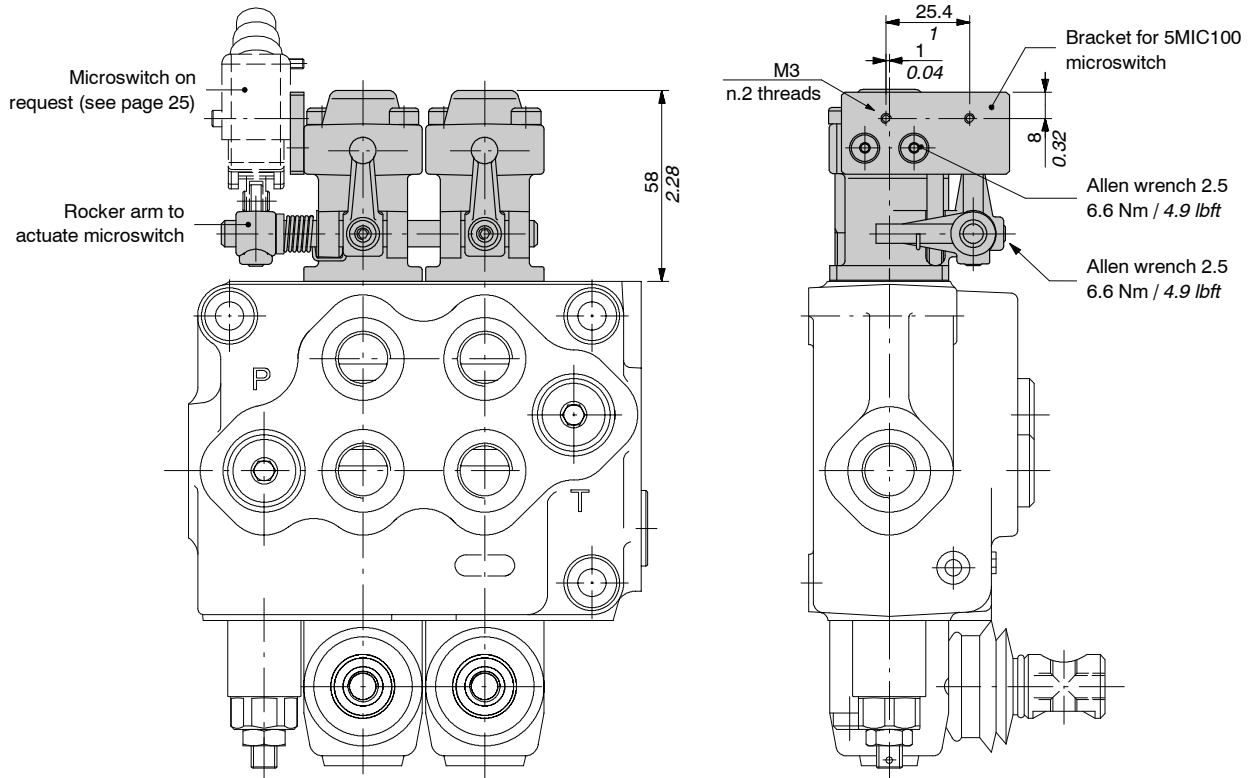
directional valve with left inlet

"A" side spool positioners

8MS3 kit: with centralized control for microswitch

Assembly example

It's shown an assembling on 2 section directional control valve, complete with connection kit KM.

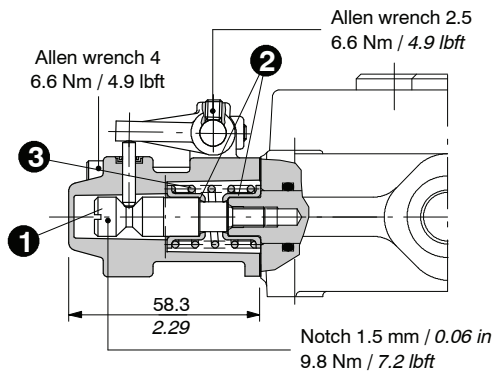


Es.: SD5/2-P(JG3-120)/18MS3L/18MS3L/AET - **KM 2 S 51**

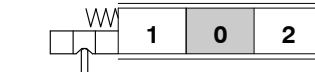
- | | |
|-------------------------|---|
| Assembling kit | 51 = with bracket for M51 (IP51) microswitch fixing |
| | 67 = with bracket for M67 (IP67) microswitch fixing |
| Nr. of working sections | S = bracket placed on left |
| | D = bracket placed on right |

directional valve with left inlet
SD5
“A” side spool positioners
8MS3 kit: with centralized control for microswitch

The spool positioner is composed of actioning pin **1**, bushes **2** and return spring **3**.
 The remaining items (cap, rocker arm, bracket, rod ecc..) are components of KM connection kit, which depends on nr of controlled section.

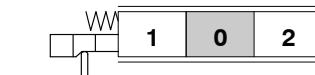


8MS3 kit
 microswitch operation in positions 1 and 2

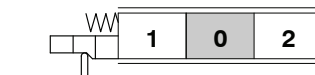


Other configurations

8MS1 kit
 microswitch operation in position 1



8MS2 kit
 microswitch operation in position 2


KM kit ordering codes

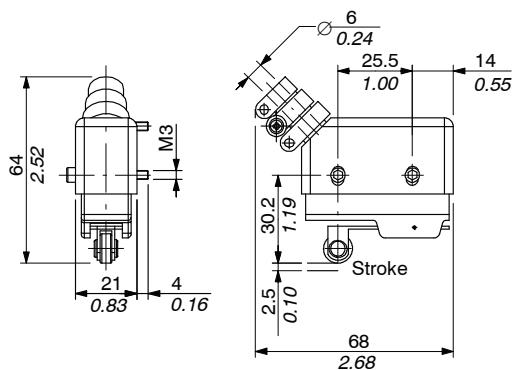
The codes below represent the kit with bracket for IP51 microswitch, assembled on the left

For other codes or information contact Sales Department.

TYPE	CODE	DESCRIPTION
KM1S51	5KM1S5102	Kit for 1 section
KM2S51	5KM2S5102	Kit for 2 sections
KM3S51	5KM3S5102	Kit for 3 sections
KM4S51	5KM4S5102	Kit for 4 sections
KM5S51	5KM5S5102	Kit for 5 sections
KM6S51	5KM6S5102	Kit for 6 sections
KM7S51	5KM7S5102	Kit for 7 sections

Microswitches for 8MS kits

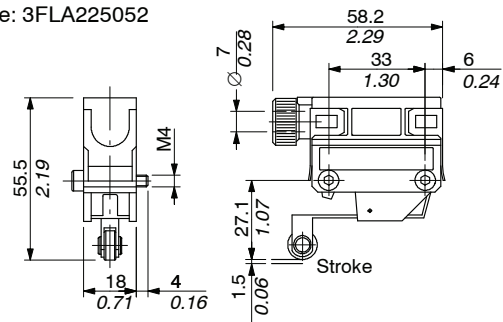
It's complete with rubber cover and mounting screws: to order separately

M51 code: 5MIC100

Operating features

Max. current / voltage : 15 A / 480 VAC
 : 0.25 A / 250 VDC
 Weather protection : IP51

M67 code: 5MIC200

Dedicated bracket is needed for the assembly
 code: 3FLA225052


Operating features

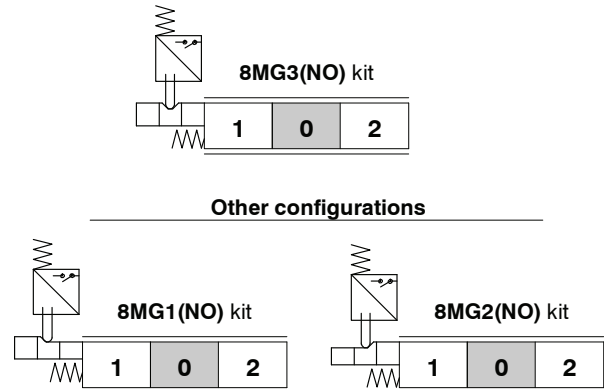
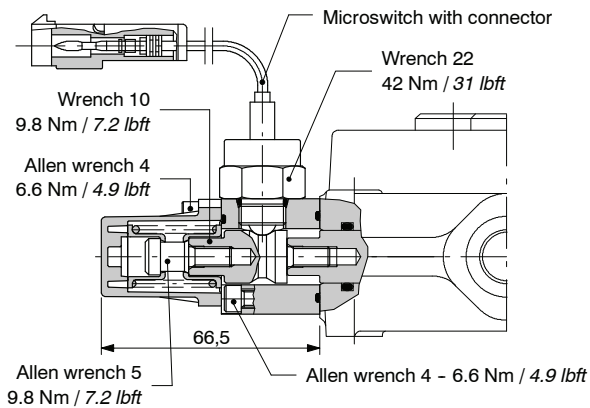
Max. current / voltage : 5 A / 250 VAC
 : 0.25 A / 230VDC
 Weather protection : IP67

SD5
directional valve with left inlet
“A” side spool positioners
With microswitch type 8MG3(NO)

With spring return in neutral position and microswitch operated in both directions.

Also available **8MG1(NO)** configuration (microswitch operated in position 1) and **8MG2(NO)** configuration (microswitch operated in position 2); dimensions are the same of 8MG3 configuration.

Same configurations are available with normally closed (NC) contact.


COMPLETE CONTROLS CODES

Contact	CONTROL TYPE			Need connector type	
	8MG3	8MG2	8MG1		
NO	5V08105660	5V08105680	5V08105670	C07	see page 129
NC	5V08105662	5V08105682	5V08105672	C17	

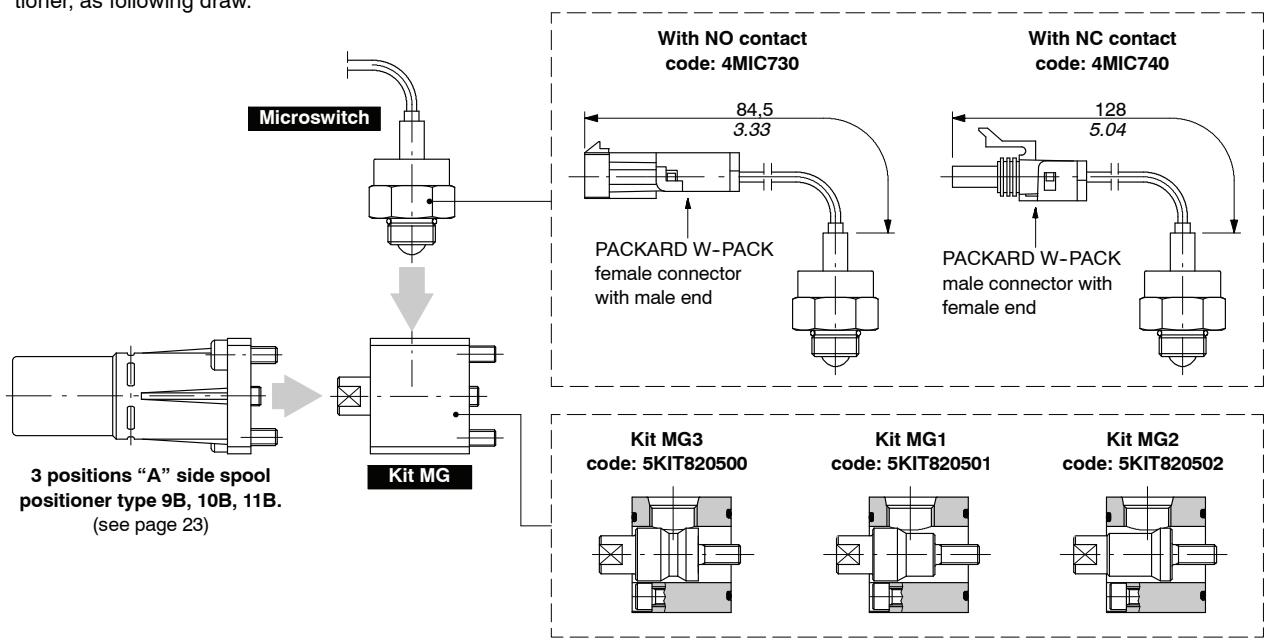
Operating features
MICROSWITCH

Mechanical life : 5x10⁵ operations

Electrical life (resistive load) : 10⁵ oper. - 7A / 13.5VDC
 : 5x10⁴ oper. - 10A / 12VDC
 : 5x10⁴ oper. - 3A / 28VDC

More configurations and spare parts

It's possible to obtain further configurations of complete control, using the MG kit, microswitches and 3 positions “A” side spool positioner, as following draw.



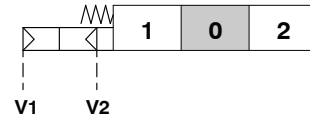
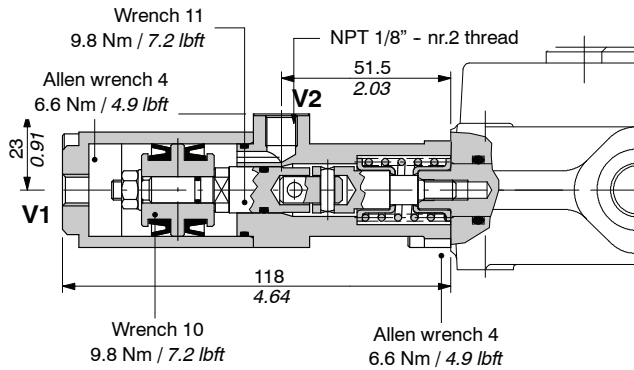
directional valve with left inlet

SD5

“A” side spool positioners

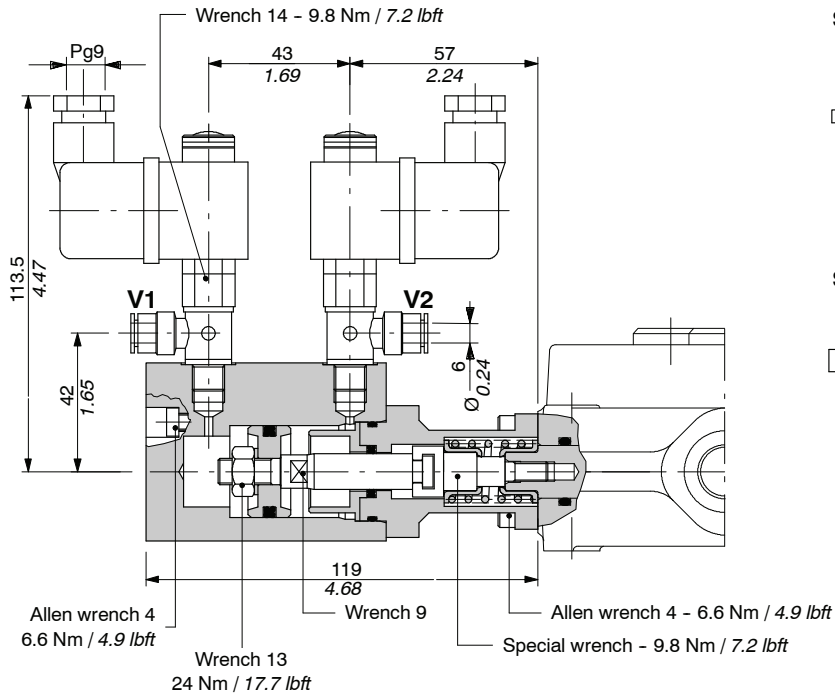
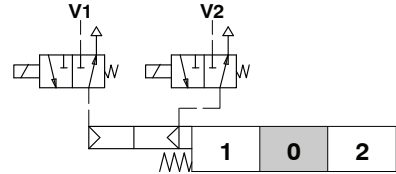
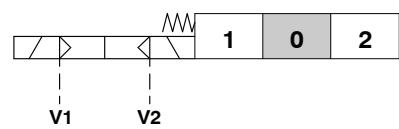
ON/OFF pneumatic kit type 8P

With spring return to neutral position.



Operating features

Pilot pressure : min. 5.5 bar / 80 psi
: max. 10 bar / 145 psi

SD5
directional valve with left inlet
“A” side spool positioners
ON/OFF electropneumatic kit type 8EP3

Scheme

Scheme ISO 1219

COMPLETE CONTROL CODES

	CONNECTION TYPE	
	ISO6952	Flying leads
	CONTROL TYPE	
Voltage	8EP3	8EP35
12 VDC	5V08105735	5V08105736
24 VDC	5V08105740	5V08105741
Need connector type (see page 129)	C01 (compreso)	/

COIL CODES

Voltage	CONNECTION TYPE	
	ISO6952	Flying leads*
12 VDC	2X4000013	2XB1000120000
24 VDC	2X4000025	2XB1000240000

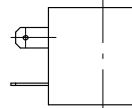
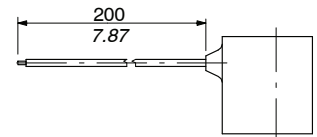
* Several type of connectors can be wired on request

Operating features
CONTROL

Pilot pressure : 6 bar / 87 psi
 : (max.10 bar / 145 psi)

COIL

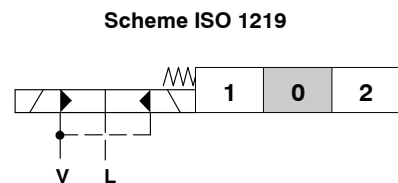
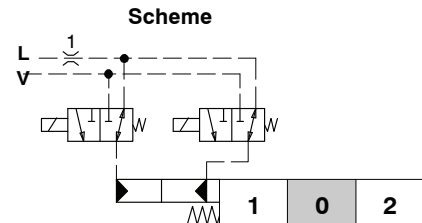
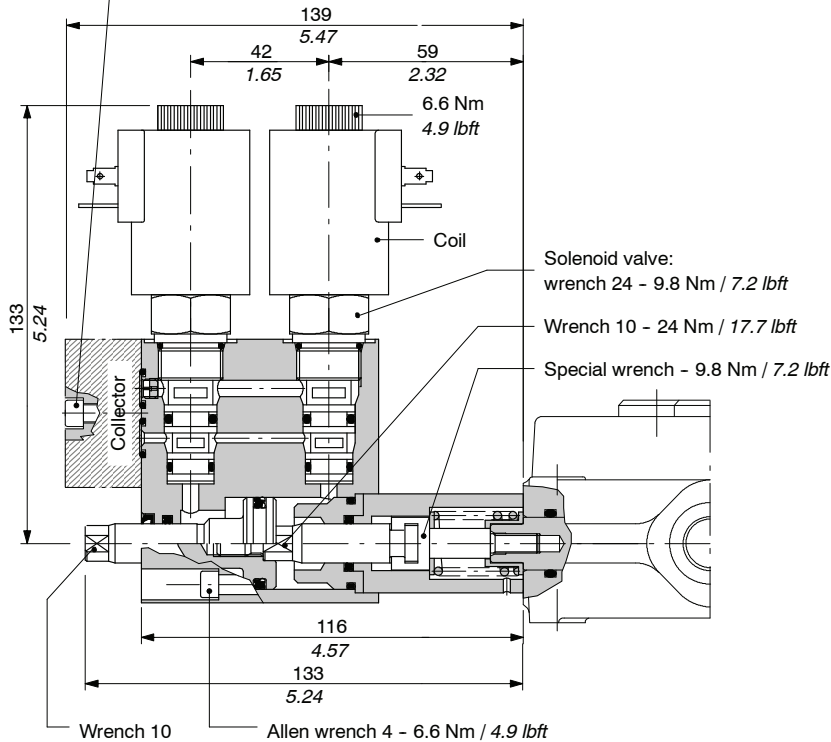
Nominal voltage tolerance : ±10%
 Power rating : 8 W
 Nominal current : 0.67 A - 12 VDC
 : 0.33 A - 24VDC
 Coil insulation : Class F
 Weather protection : IP65
 Duty cycle : 100%

Coil with ISO6952 connector

Coil with flying leads


directional valve with left inlet
SD5
“A” side spool positioners
ON/OFF electrohydraulic kit type 8ED3

With external pilot and drain.

Allen wrench 4 - 6,6 Nm / 4.9 lbf


Operating features
CONTROL

Pilot pressure : min. 10 bar / 145 psi

: max. 50 bar / 725 psi

Max backpressure on drain L : 25 bar / 360 psi

COIL

Nominal voltage tolerance : ±10%

Power rating : 21 W

Nominal current : 1.75 A - 12 VDC / 0.87 A - 24VDC

Coil insulation : Class F

Weather protection : IP65

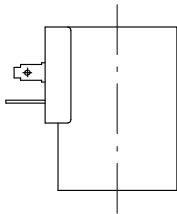
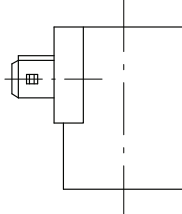
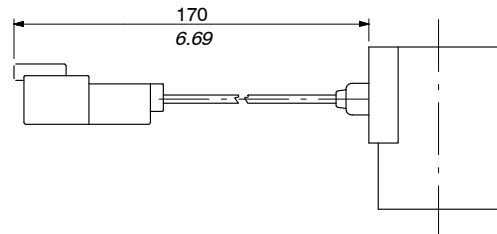
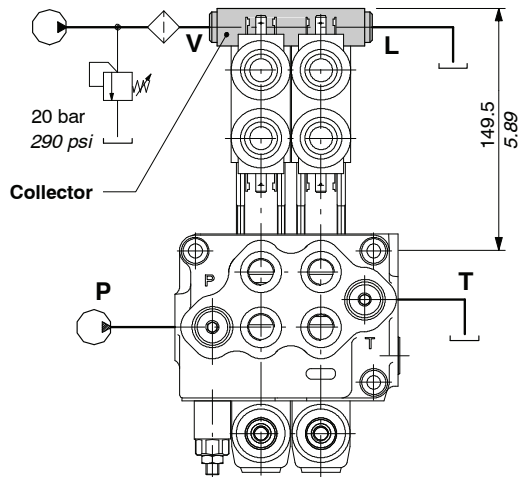
Duty cycle : 100%

COMPLETE CONTROL CODES

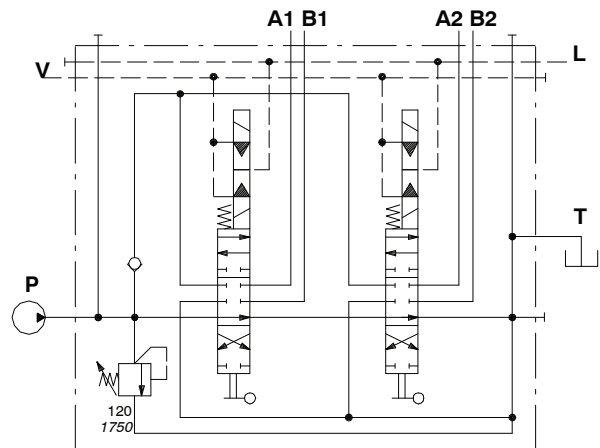
	CONNECTION TYPE			
	ISO4400	AMP JPT		Deutsch DT
		without diode	with diode	
	CONTROL TYPE			
Voltage	8ED3	8ED32	8ED32D	8ED34
12 VDC	5V08105350	5V08105250	5V08105280	5V08105450
24 VDC	5V08105351	5V08105251	5V08105281	5V08105451
Need connector type (see page 129)	C02	C08	C08	C19

SD5
directional valve with left inlet
“A” side spool positioners
ON/OFF electrohydraulic kit type 8ED3
COIL CODES

Voltage	CONNECTION TYPE			
	ISO4400	AMP JPT		Deutsch DT
		without diodo	with diodo	
12 VDC	2XB1400121100	2XB1400121200	2XB1400121210	2XB1400120400
24 VDC	2XB1400241100	2XB1400241200	2XB1400241210	2XB1400240400

Coil with ISO4400 connection

Coil with AMP JPT connection

Coil with Deutsch DT connection

Collector kit for external pilot and drain


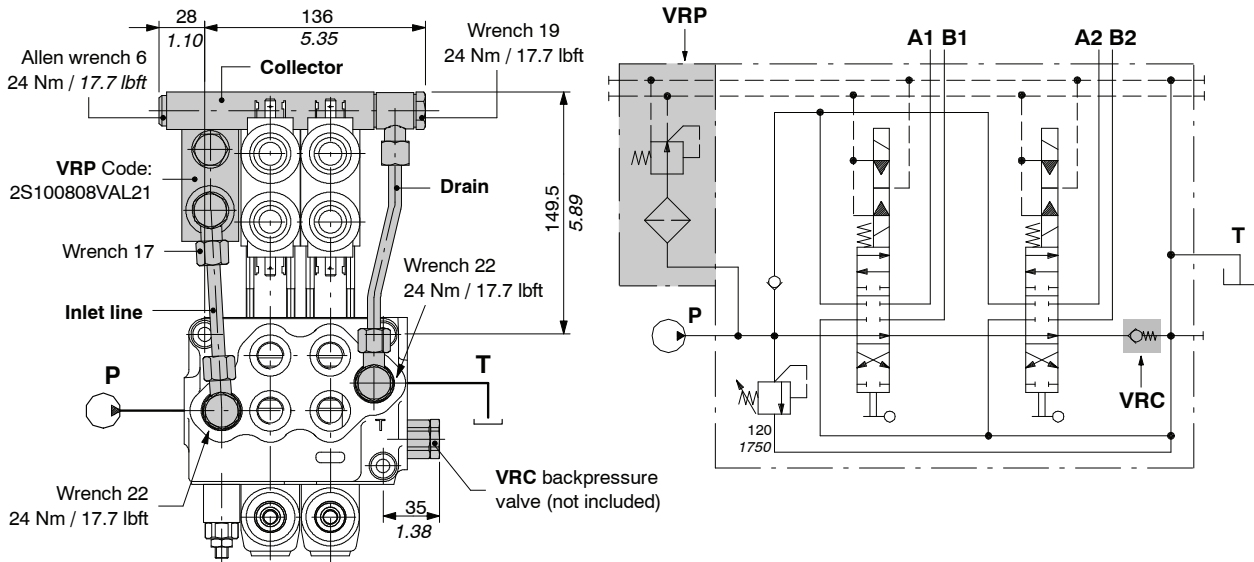
Description example:
 SD5/2-P(JG3-120)/18ED3L/18ED3L/AET-KE2S0-24VDC


COLLECTOR KIT CODES

Type	Code *	Description
KE1S0	5KE1S00030	Kit one section
KE2S0	5KE2S00230	Kit for 2 sections
KE3S0	5KE3S00230	Kit for 3 sections
KE4S0	5KE4S00230	Kit for 4 sections
KE5S0	5KE5S00230	Kit for 5 sections
KE6S0	5KE6S00230	Kit for 6 sections

(*) codes are referred to BSP thread

directional valve with left inlet
SD5
“A” side spool positioners
ON/OFF electrohydraulic kit type 8ED3
Collector kit with pilot and drain lines

 The kit is made of collector, **VRP** pressure reducing valve and pipes.

 Description example:
 SD5/2-P(JG3-120)/18ED3L/18ED3L/VRC-KE2R3-24VDC

Operating features
VRP VALVE

 Output pressure : 20 bar / 290 psi
 Max flow : 8 l/min
 Filtering : 80 µ

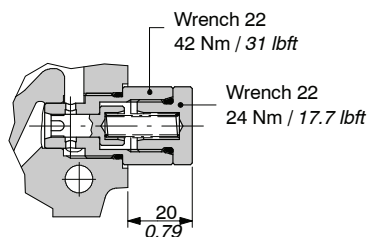
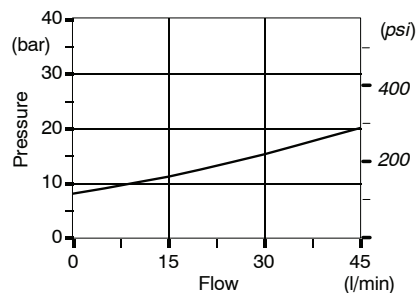
COLLECTOR KIT CODES

Tipo	Code *	Description
KE1R0	5KE1R30230	Kit one section
KE2R0	5KE2R30230	Kit for 2 sections
KE3R0	5KE3R30230	Kit for 3 sections
KE4R0	5KE4R30230	Kit for 4 sections
KE5R0	5KE5R30230	Kit for 5 sections
KE6R0	5KE6R30230	Kit for 6 sections

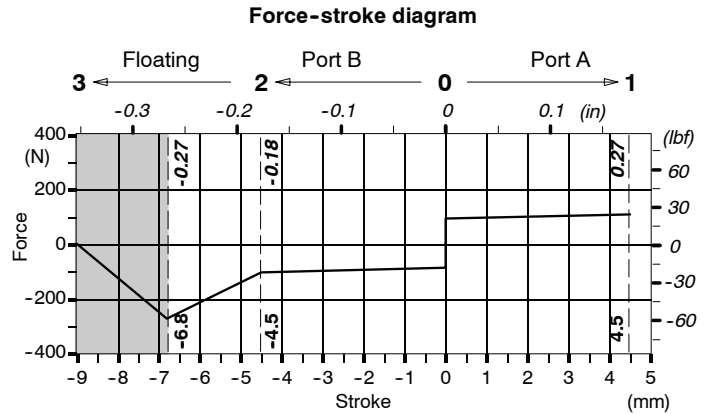
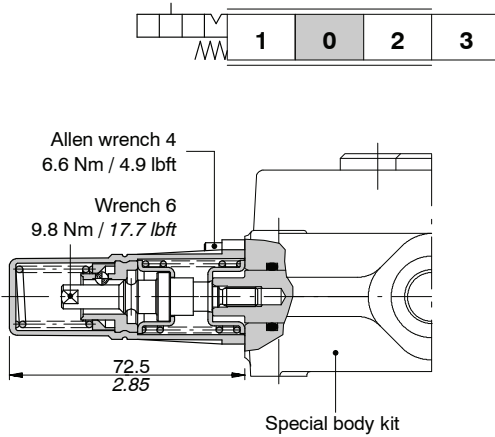
(*) Codes are referred to BSP thread

VRC valve: code X003600010

Valve assembled on flow through passage provides pilot pressure to the actuator.

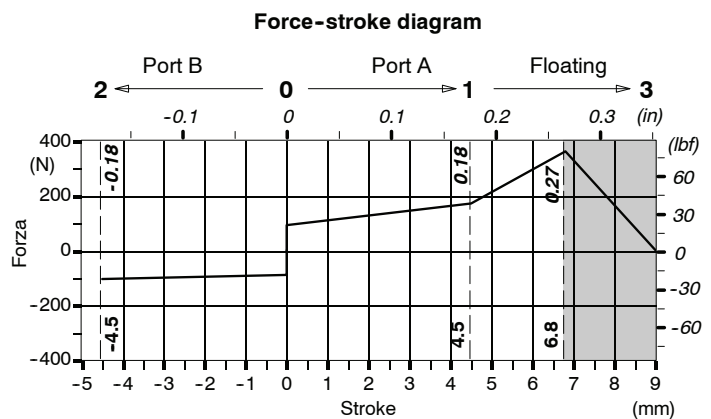
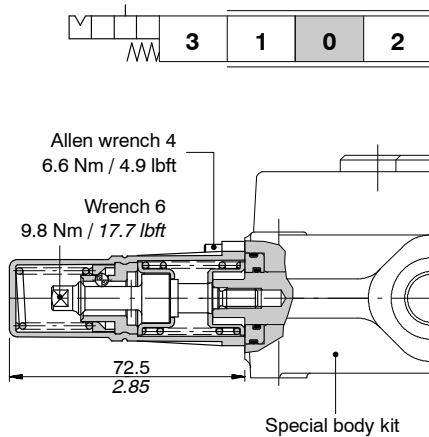

Pressure drop P→T


SD5
directional valve with left inlet
“A” side spool positioners
Particular positioner kits for special spools
13NZ kit

 Detent in 4th position with spool in: available only for spool type **5DY** (see page 16).


Detent area
 Locking force: 280 N / 63 lbf ±10%
 Release force: 300 N / 67.4 lbf ±10%

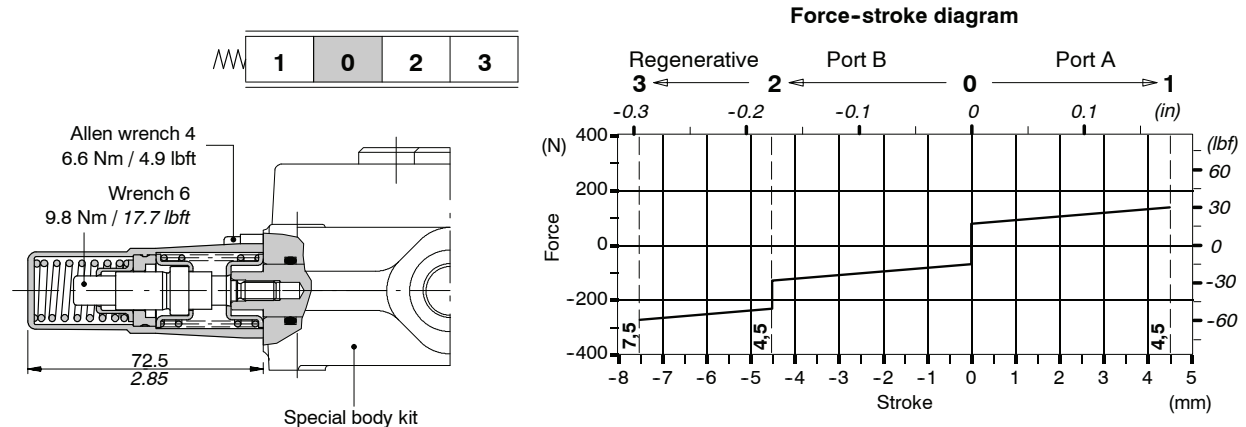
13QN kit

 Detent in 4th position with spool out: available only for spool type **5PY** (see page 17).


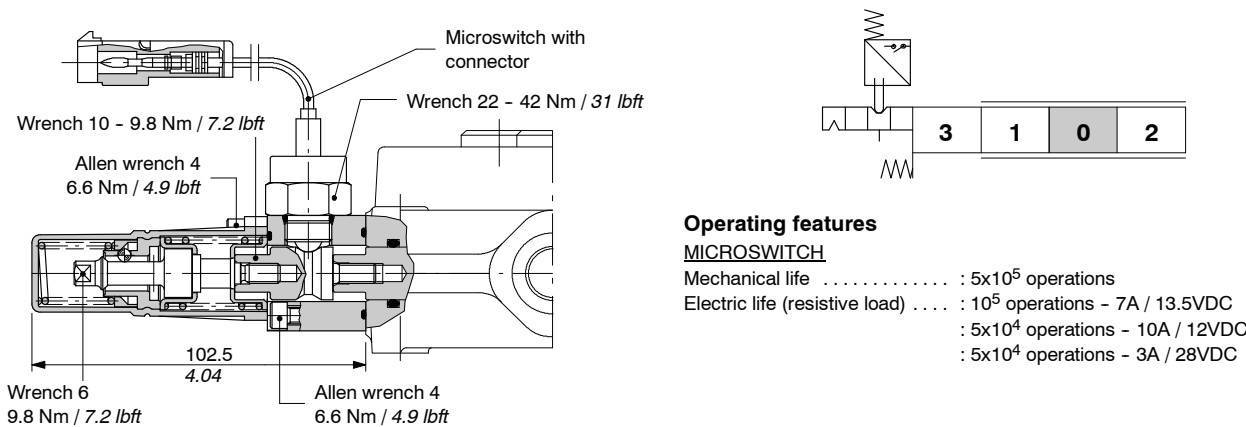
Detent area
 Locking force: 360 N / 81 lbf ±10%
 Release force: 390 N / 87.7 lbf ±10%

directional valve with left inlet
SD5
"A" side spool positioners
Particular positioner kits for special spools
13FZ kit

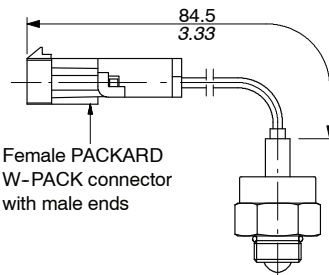
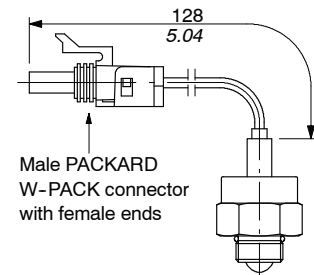
4th position with spool in and spring return to neutral position.
 Available only for spool type **8** (see page 18).


13QNMG3(NO) kit

Detent in 4th position with spool out, spring return to neutral position and microswitch operation in both directions.
 The microswitch can be configured with **NO** (normally open) or **NC** (normally closed) contact
 Available only for spool type **5PY** (see page 17).


COMPLETE CONTROL CODES

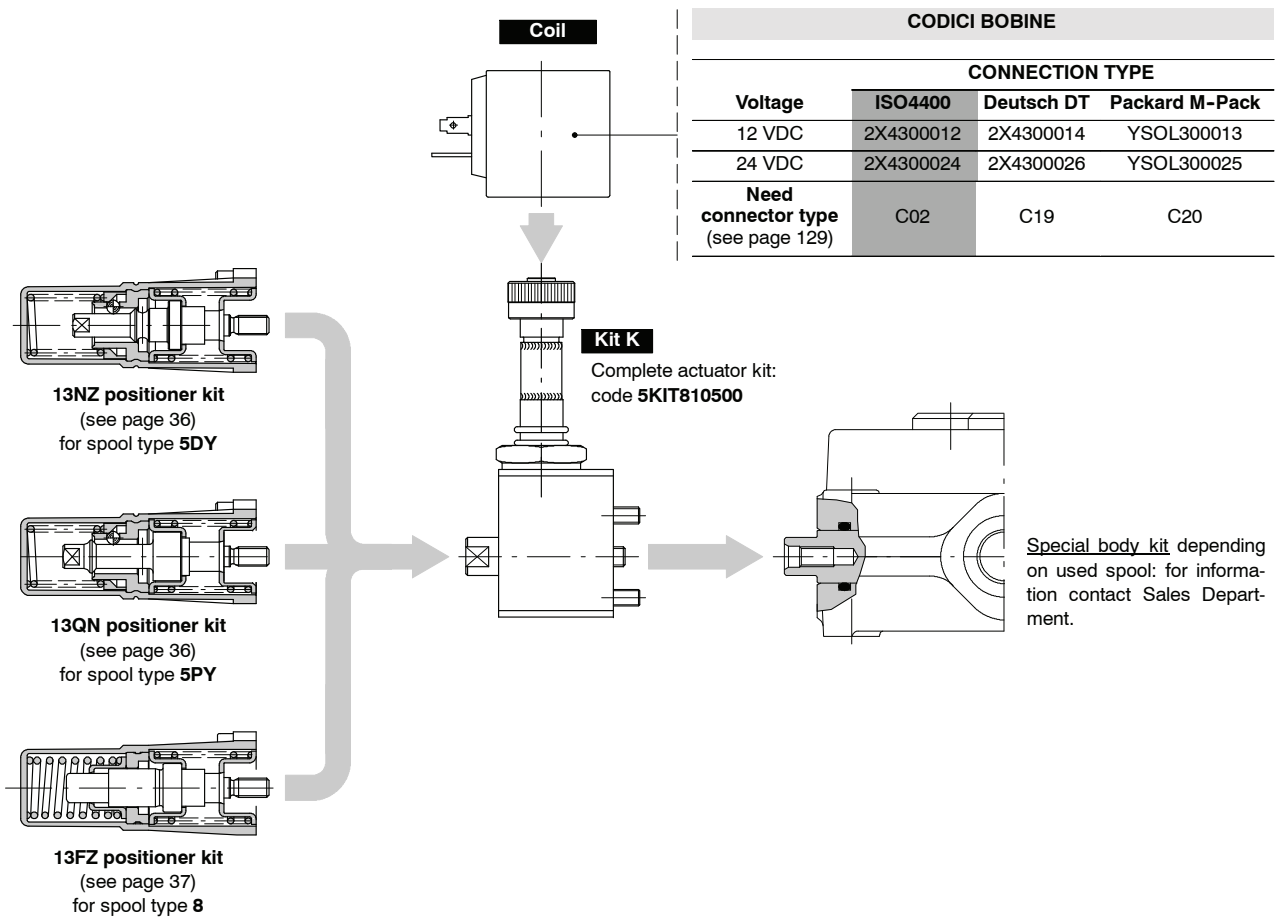
Contact type	Needs connector type	
5V13405660	NO	C07 see page 129
5V13405661	NC	C17

CODICI MICROINTERRUTTORI DI RICAMBIO
Microswitch kit with NO contact
 code: 4MIC730

Microswitch kit with NC contact
 code: 4MIC740


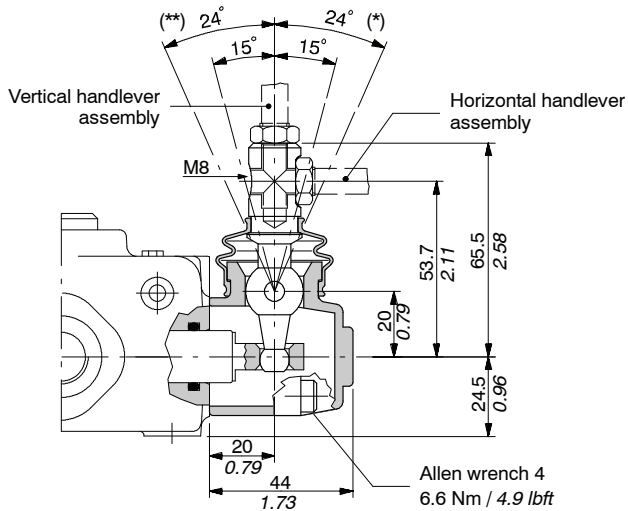
SD5
directional valve with left inlet
"A" side spool positioners
Particular positioner kits for special spools
With electromechanical lock

The positioners for special spools (13NZ, 13QN, 13FZ), are also available with spool electromechanical lock in neutral position; if coil is excited the spool can be operated.

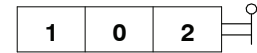
For kit K and coils features and dimensions, see page 24: for informations contact Sales Department.



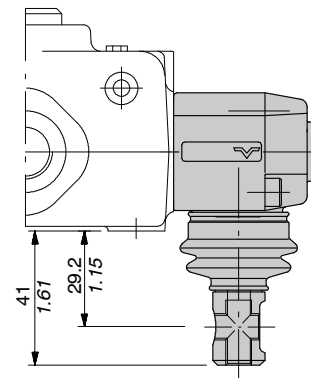
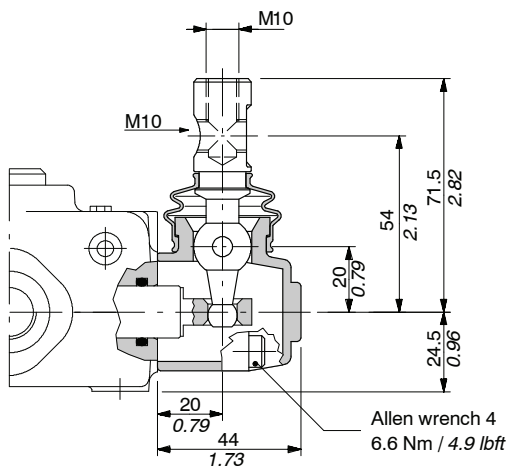
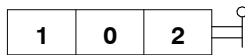
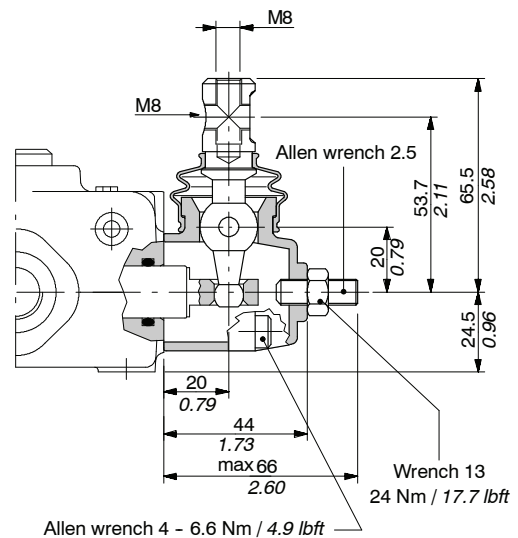
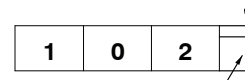
directional valve with left inlet
SD5
"B" side options
Lever control
Type L

 Alluminium with protection boot lever pivot box; it can be rotated 180° (execution **L180**).


NOTE (*) - With spool type 5DY (see page 16)
 (**) - With spool type 5PY (see page 17)



Execution L180


Type LM10

Type LF1


SD5

directional valve with left inlet

“B” side options

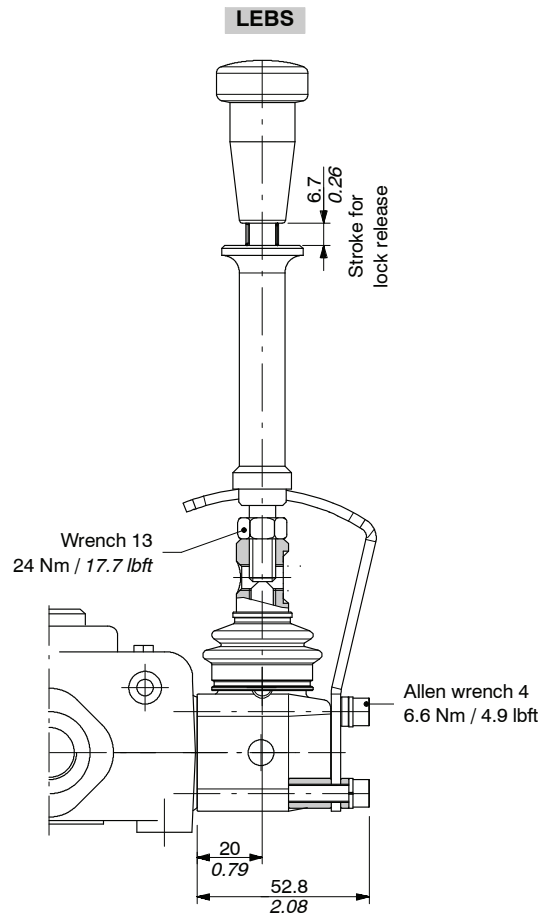
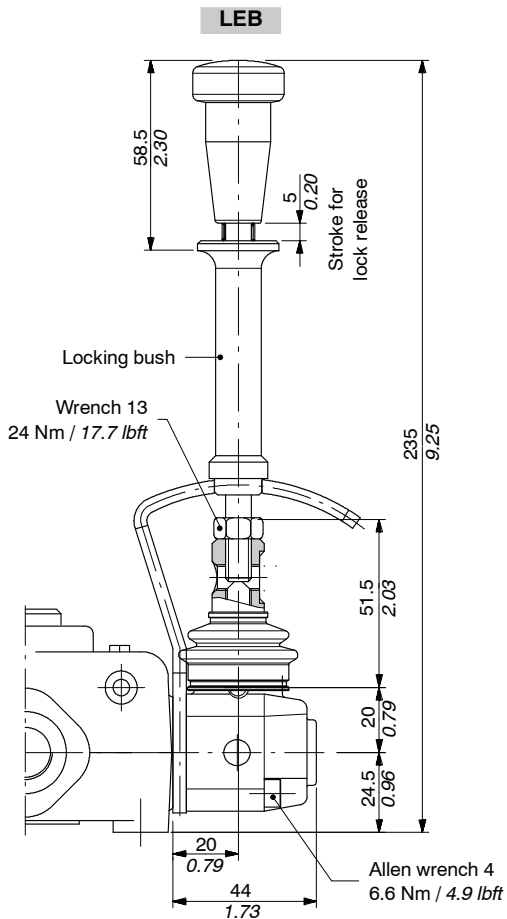
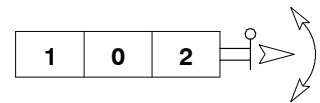
Special lever controls

Safety levers with lock in neutral complete with handlever; lift handlever knob to operate.

Type LEB

To be used with body valves without auxiliary relief valves flanged on the working ports.

Available with execution **LEBS**, code **5LEV605100**, for configurations with auxiliary valves type BP and BPS: it operates floating spool (4 positions) only by pulling the lever, with spool in (type **5DY**).



directional valve with left inlet

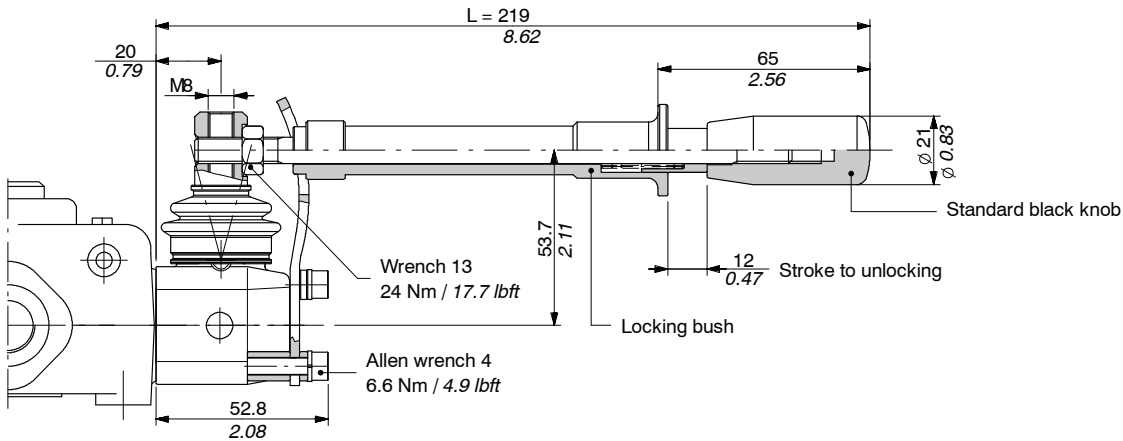
SD5

“B” side options

Special lever controls

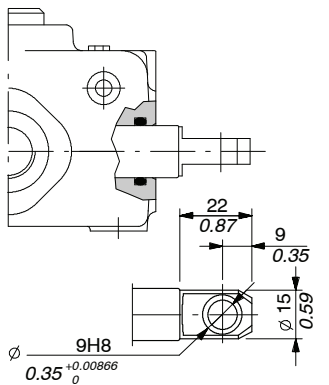
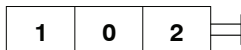
Type LUP

Available as **LUP(R150)** configuration, with length $L = 150 \text{ mm} / 5.91 \text{ in}$ and red knob: code **5LEV805010**.

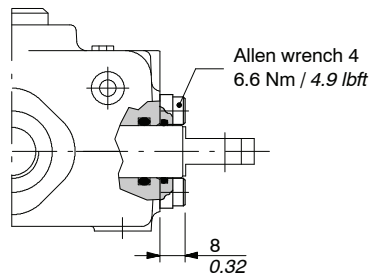
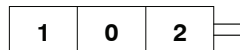


Controls arrangement

Type SL

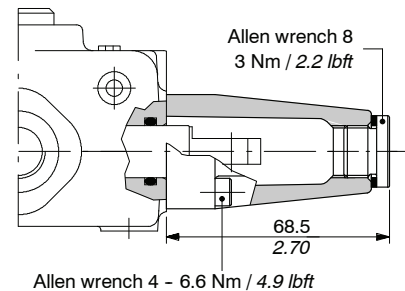
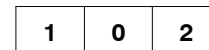


Type SLP



Mechanical control with dust-proof plate.

Type SLC



Protection cap usable with pneumatic, electro-pneumatic, and electro-hydraulic spool positioners.

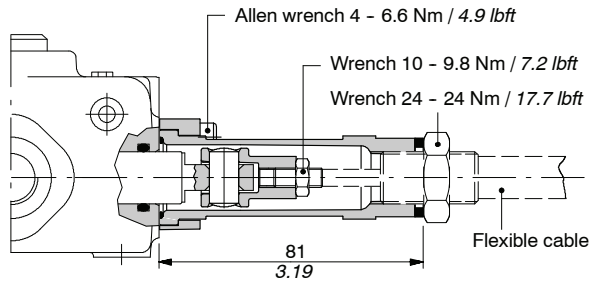
SD5

directional valve with left inlet

“B” side options

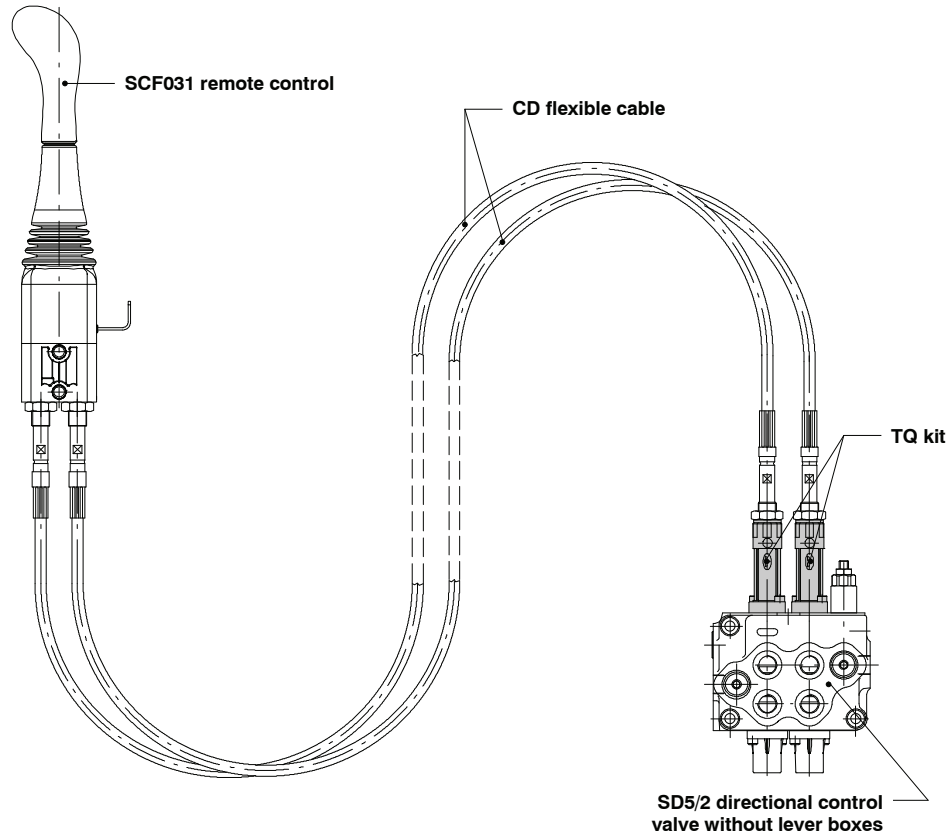
TQ cable remote control kit

Waterproof cap prearranged for remote control with flexible cable.



NOTE - For more information about remote cable control, require appropriate documentation.

Connection example



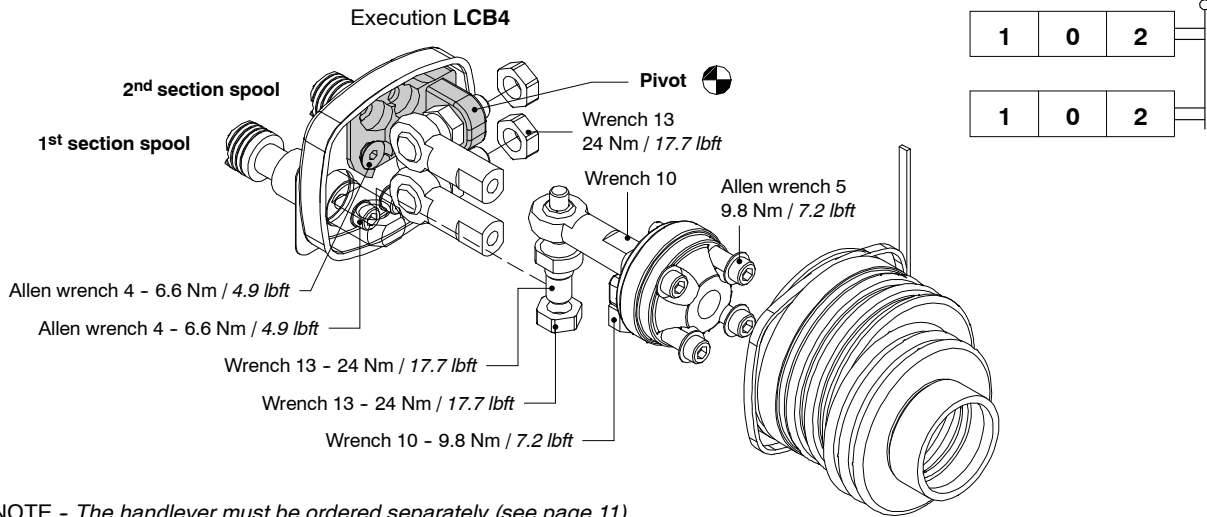
NOTE - For best efficiency, “A” side positioner with spring return type C is suggested (see page 20)

directional valve with left inlet

SD5

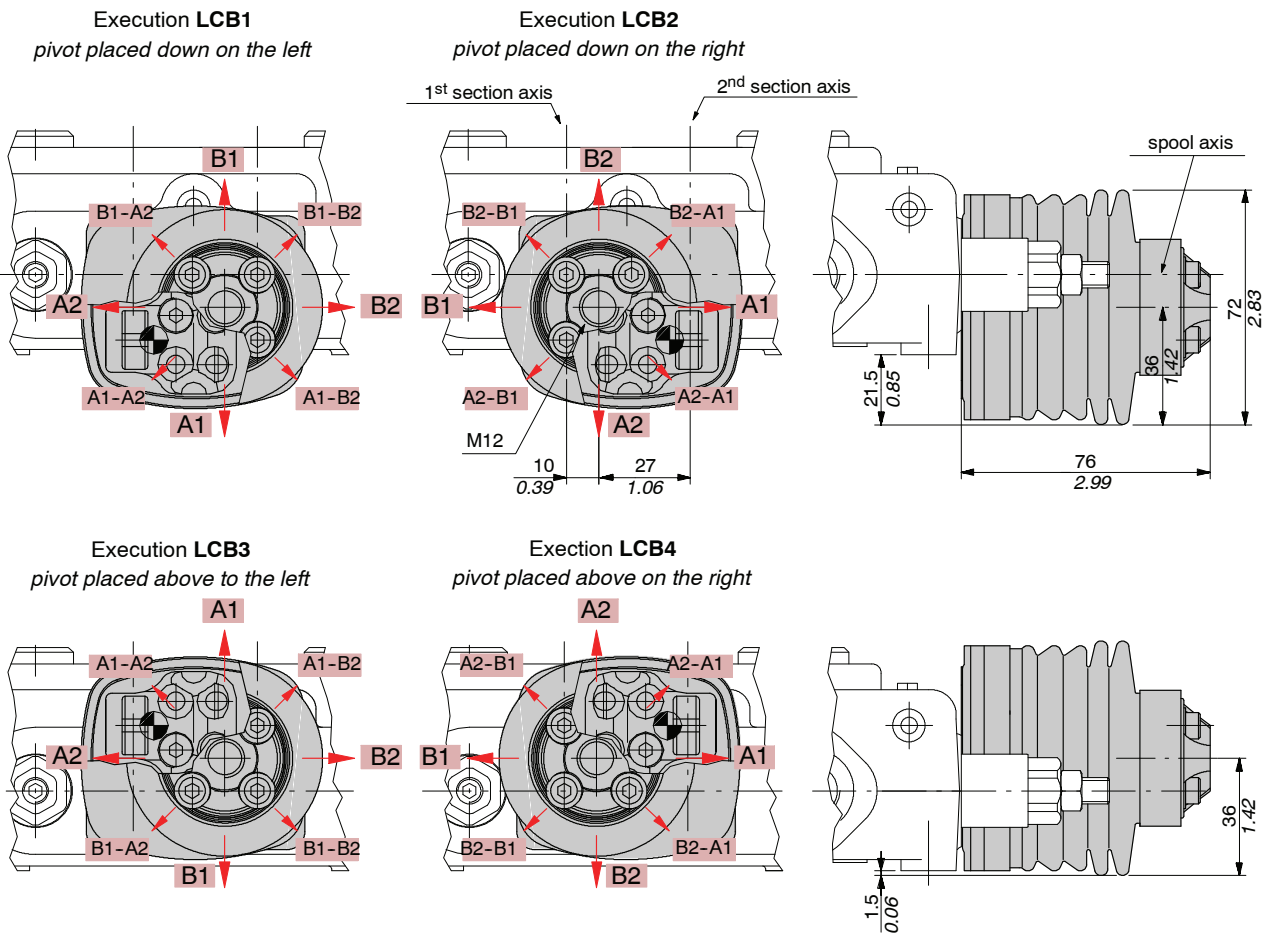
“B” side options

LCB mechanical joystick for two sections control



NOTE - The handlever must be ordered separately (see page 11).

Dimensions and movement scheme

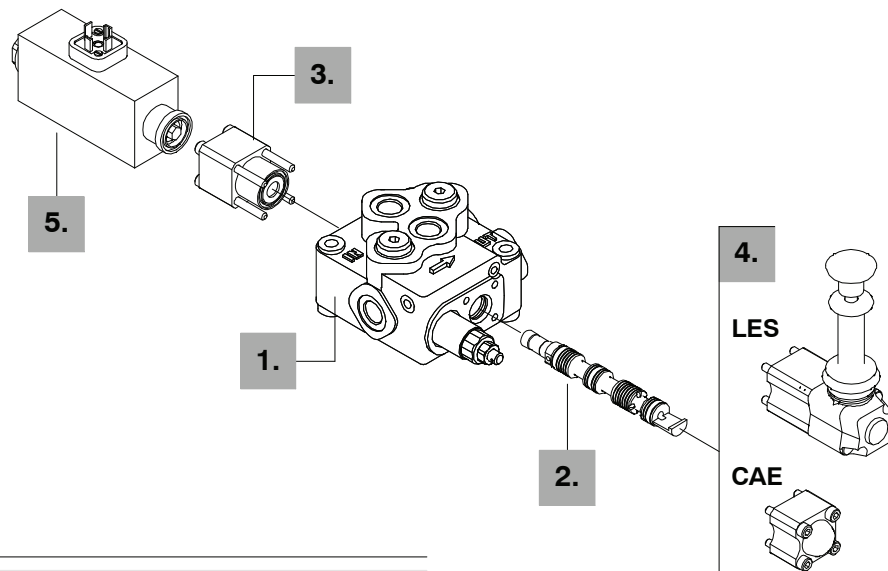


NOTE - Don't use with spool type 5DY.

SD5
directional valve with left inlet
Complete controls
8ESN solenoid control

Direct control by double solenoid with spring return to neutral position, available with emergency manual override. It's necessary special spool and standard body (body kit without spool seals).

Due to the large dimension, it's not possible to assembly more than one control consecutively, except **SD5/2-P** and **SD5/3-P** that have special bodies with bigger centre-to-centre.

Description example:
SD5 / 1 - P (JG3-120) / 1 8ESN LES / AET - 24VDC
1.
2.
3.
4.
5.

1. Body kit *

TYPE	CODE	DESCRIPTION
SD5/1-P	5KC1193100	1 section, standard body
SD5/2-PS	5KC1223003	2 sections, special body
SD5/3-PS	5KC1243006	3 sections, special body

2. Spools options

TYPE	CODE	DESCRIPTION
1(ESN)	3CU1210036	Double acting, 3 positions, with A and B closed in neutral position
2(ESN)	3CU1225036	Double acting, 3 positions, with A and B open to tank in neutral position

3. Connection kit

TYPE	CODE	DESCRIPTION
8ESN	5V08009	For solenoid joint, with spring return in neutral position

4. "B" side options

TYPE	CODE	DESCRIPTION
LES	5LEV105410	Safety lever pivot box for manual operation
CAE	5COP205100	Endcap

5. Solenoid

TYPE	CODE	DESCRIPTION
10.5VDC	XSOL314310	Nominal voltage 10.5VDC
12VDC	XSOL314312	Nominal voltage 12VDC
24VDC	XSOL314324	Nominal voltage 24VDC
192VDC	XSOL314192	Nominal voltage 192VDC; (for 220 VAC supply)

NOTE (*) - Codes are referred to **BSP** threads.

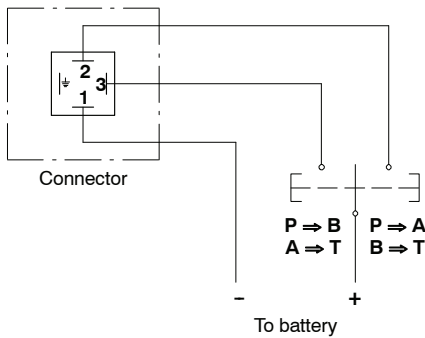
directional valve with left inlet

SD5

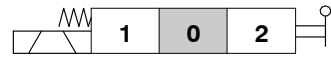
Complete controls

8ESN solenoid control

Electric wiring example



8ESNLES kit
with safety lever pivot box



8ESNCAE kit
with encadp



Operating features

CONTROL

Internal leakage A(B)→T

($\Delta p = 100 \text{ bar} - 1450 \text{ psi} / T = 40^\circ\text{C}$) : max. $10 \text{ cm}^3/\text{min} - 0.61 \text{ in}^3/\text{min}$

COIL

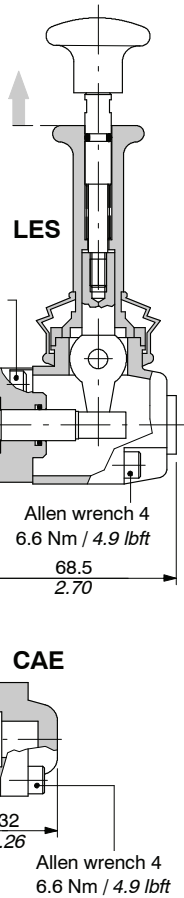
Nominal voltage tolerance : $\pm 10\%$

Power rating : 65 W

Coil insulation : class H

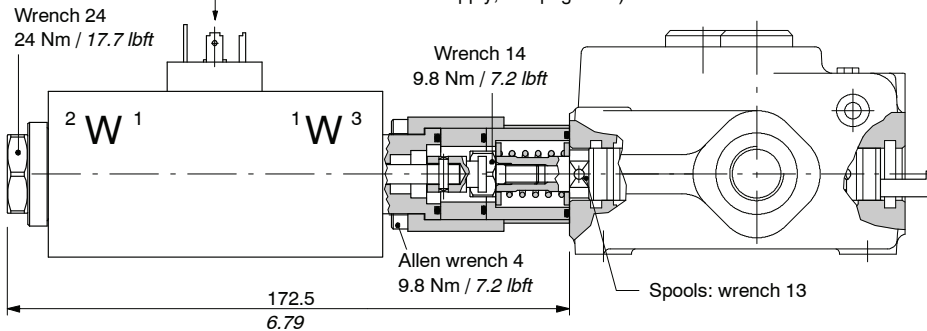
Duty cycle : 100%

Manual operation:
lift the bush to lever
unlocking



Connection ISO4400

(needs **C03** connector for VDC supply or **C05** connector for VAC supply; see page 129)



SD5

directional valve with left inlet

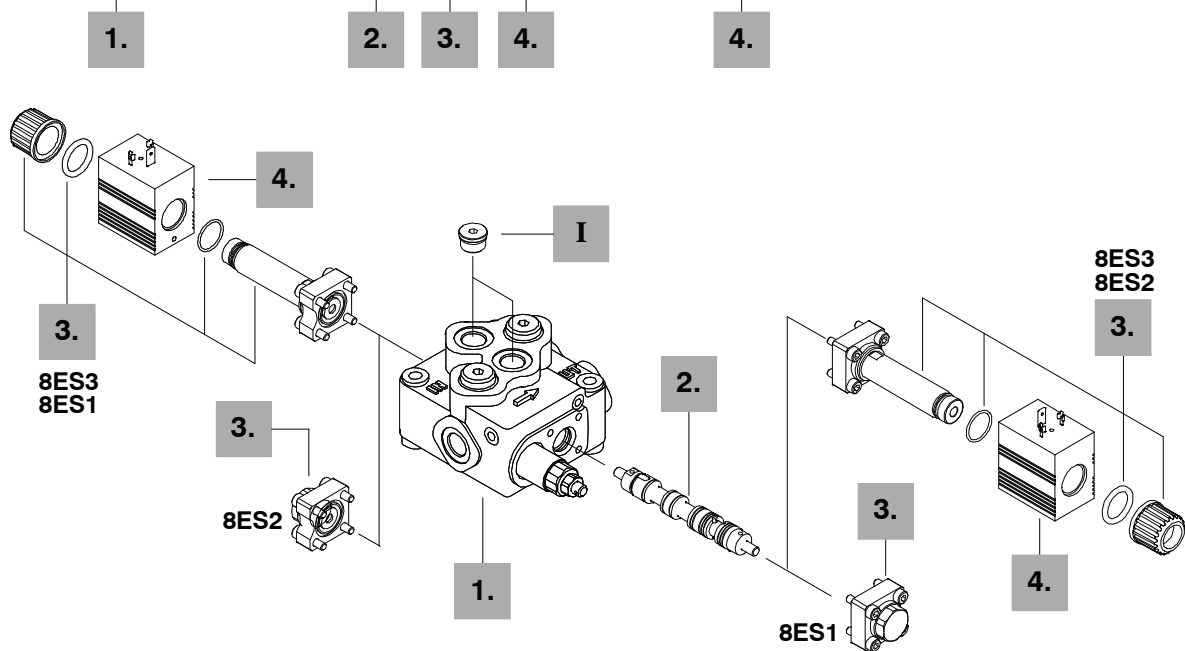
Complete controls

8ES solenoid control

Solenoid direct control with spring return to neutral position.
 It needs special spools and standard body (body kit without seals on spool).

Description example:

SD5 / 1 - P (JG3-120) / 1 8ES3 4 / AET - 24VDC



1. Body kit *

TYPE	CODE	DESCRIPTION
SD5/1-P	5KC1193100	1 section
SD5/2-P	5KC1223100	2 sections
SD5/3-P	5KC1243100	3 sections
SD5/4-P	5KC1273100	4 sections
SD5/5-P	5KC1313100	5 sections
SD5/6-P	5KC1353100	6 sections
SD5/7-P	5KC3E3100	7 sections

2. Spool options

TYPE	CODE	DESCRIPTION
1(ES)	3CU1210011	Double acting, 3 positions, with A and B closed in neutral position
2(ES)	3CU1225010	Double acting, 3 positions, with A and B open to tank in neutral position

3. Control kit

TYPE	CODE	DESCRIPTION
8ES1	5CAN08024	Single acting P→A, with spring return to neutral position
8ES2	5CAN08024	Single acting P→B, with spring return to neutral position
8ES3	5CAN08025	Double acting, with spring return to neutral position

4. Coils

TYPE	CODE	DESCRIPTION
<u>With ISO4400 connector</u>		
10.5VDC	4SOL412012	Nominal voltage 10.5VDC
12VDC	4SOL412012	Nominal voltage 12VDC
24VDC	4SOL412024	Nominal voltage 24VDC
<u>With Deutsch DT connector</u>		
4-10.5VDC	4SOL412111	Nominal voltage 10.5VDC
4-12VDC	4SOL412112	Nominal voltage 12VDC
4-24VDC	4SOL412124	Nominal voltage 24VDC

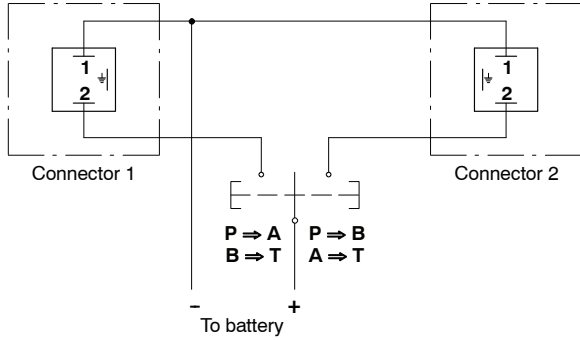
I "A" and "B" ports plugs *

TYPE	CODE	DESCRIPTION
G3/8	3XTAP722160	For single acting controls type 8ES1 and 8ES2

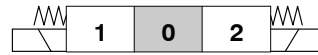
NOTE (*) - Codes are referred to **BSP** threads.

8ES solenoid control

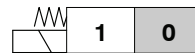
Electric wiring example



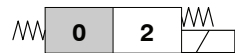
8ES3 kit double acting



8ES3 kit double acting



8ES3 kit double acting



Operating features

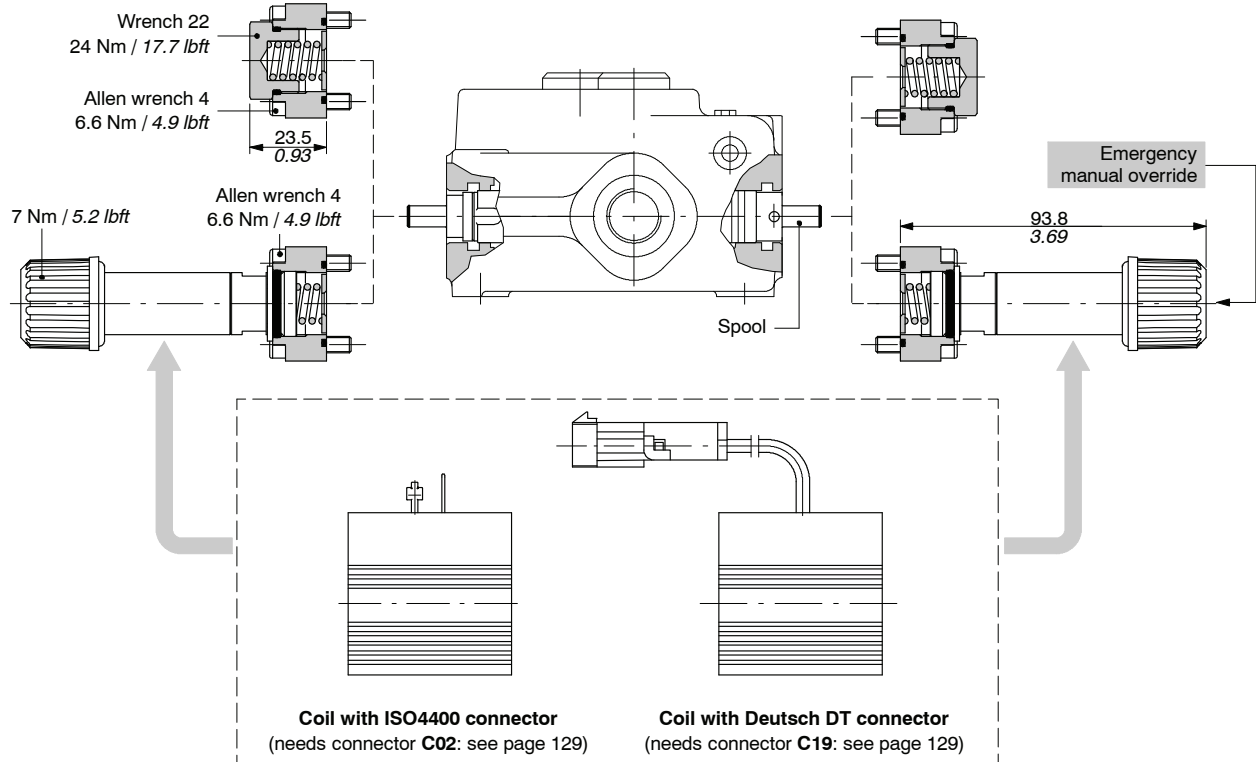
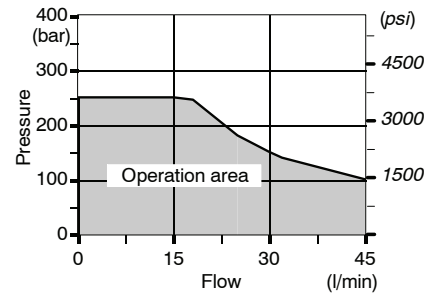
CONTROL

Internal leakage A(B)→T
($\Delta p = 100 \text{ bar} - 1450 \text{ psi} / T = 40^\circ\text{C}$) : max. $15 \text{ cm}^3/\text{min} - 0.91 \text{ in}^3/\text{min}$

COIL

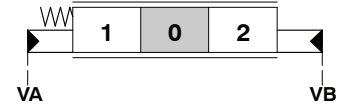
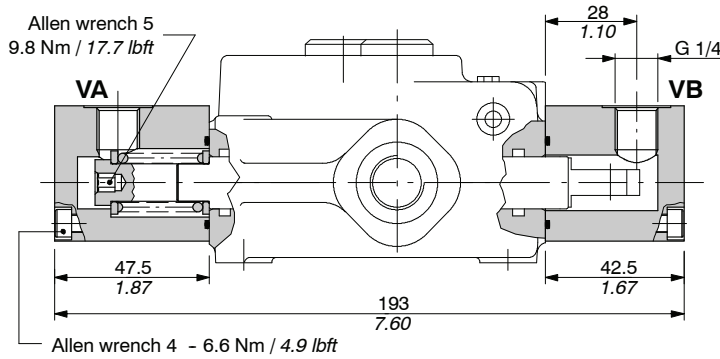
- Nominal voltage tolerance : $\pm 10\%$
- Power rating : 36 W
- Max. operating current : 3.43 A - 10.5 VDC
- : 3 A - 12 VDC
- : 1.5 A - 24VDC
- Weather protection : IP65 - ISO4400 / P67 - Deutsch DT
- Coil insulation : class H
- Insertion : 100%

Operating condition diagram

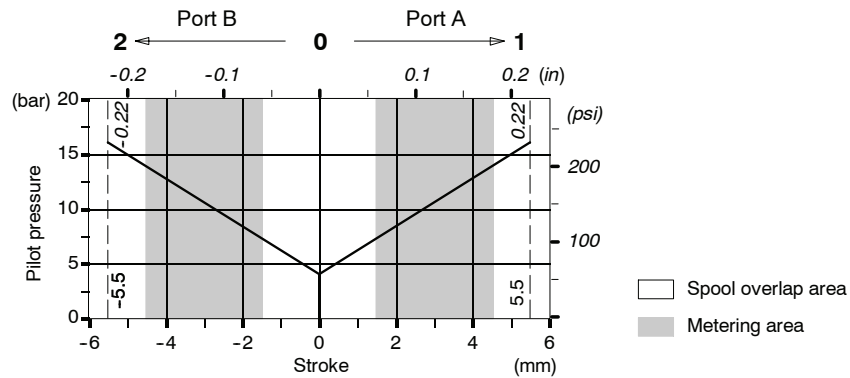
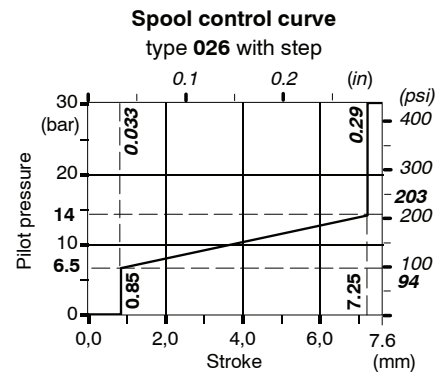
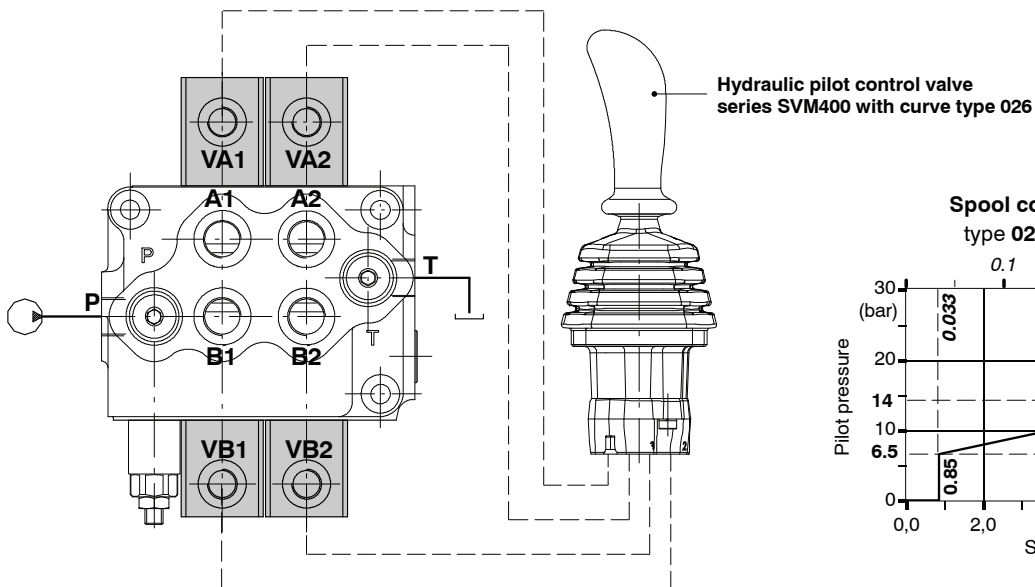


SD5
directional valve with left inlet
Complete controls
Proportional hydraulic control type 8IM code 5IDR205021

It can be used with standard spools and body (body kit without seals on spool).
 Coupling suggested with type 1CS spool (see page 13).


Operating features

Pilot pressure : max. 50 bar / 730 psi
 Internal leakage A(B)→T ($\Delta p = 100 \text{ bar} - 1450 \text{ psi} / T = 40^\circ\text{C}$)
 : max. 6 cm³/min - 0.37 in³/min

Pilot pressure - stroke diagram

Connection example


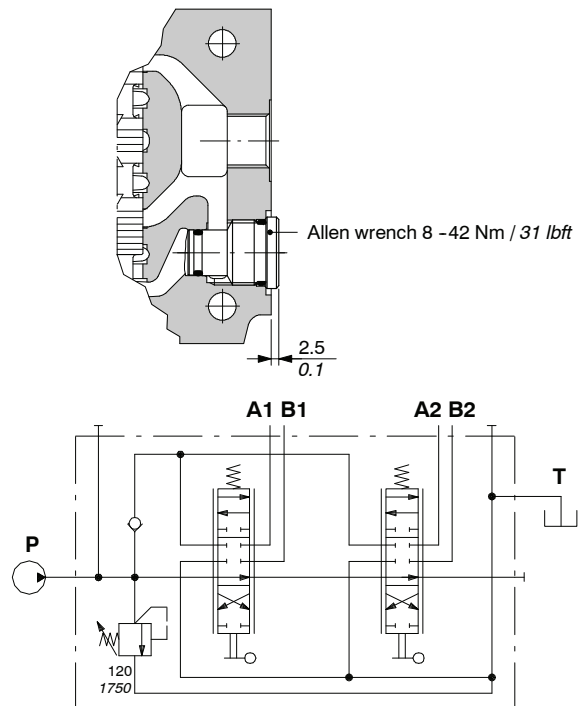
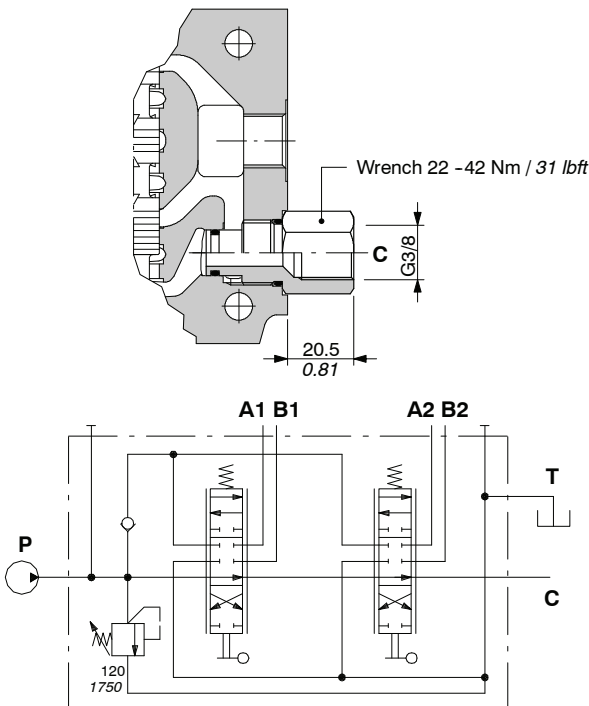
directional valve with left inlet
SD5
Outlet port options

It's possible to have open centre, closed centre and carry-over.

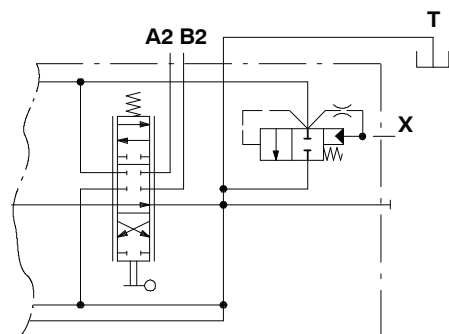
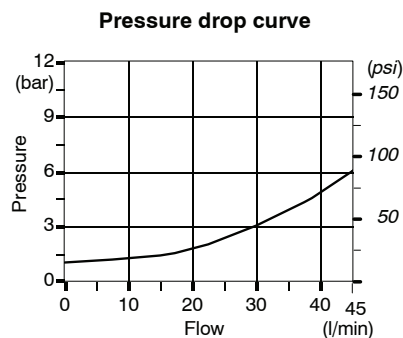
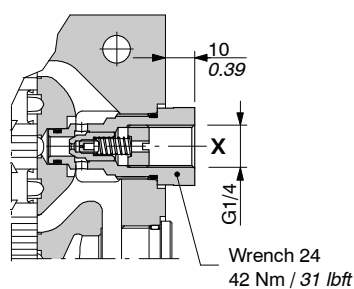
Unloader valves are available: these valves need special bodies with appropriate cavity on lateral outlet port, the tank connection T must be on top.

AET: open centre (standard)

See page 9.

AE: with carry-over
AEK: closed centre

With hydraulic pilot unloader valve type L

For safety reasons it's provided with pilot port plugged.


Operating features

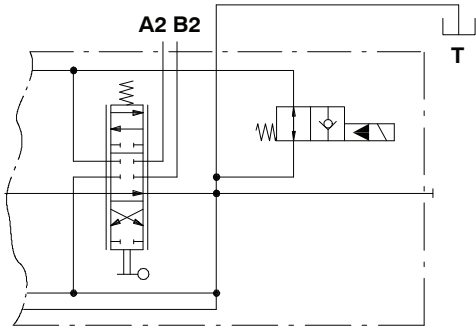
 Internal leakage : 10 cm³/min a 100 bar
 : 0.61 in³/min at 1450 psi

 Description example:
 SD5/2-P(JG3-120)/18L/18L/AET-L

SD5
directional valve with left inlet
Outlet port options
With solenoid pilot unloader valve

For the complete valve must be ordered the cartridge and the coil both; to follow please see code list and description composition.

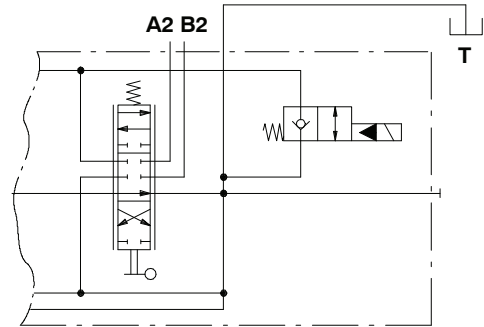
Example of directional valve with normally open unloader valve



Description example:

SD5/2-P(JG3-120)/18L/18L/AET-ELNW-12VDC

Example of directional valve with normally closed unloader valve



Description example:

SD5/2-P(JG3-120)/18L/18L/AET-ELNW(NC)-12VDC

Description example:

SD5 / 2 - P (JG3-120) / 18L / 18L / AET-ELNW 4 (NC) - 12VDC

1.

2.

1.

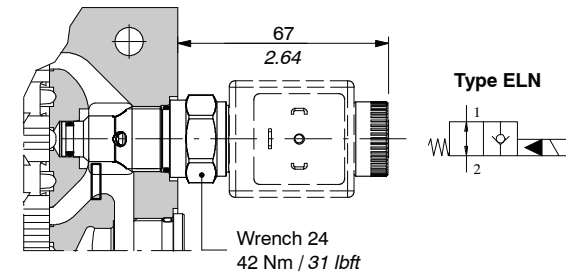
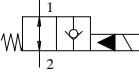
2.

1. Solenoid pilot unloader valve

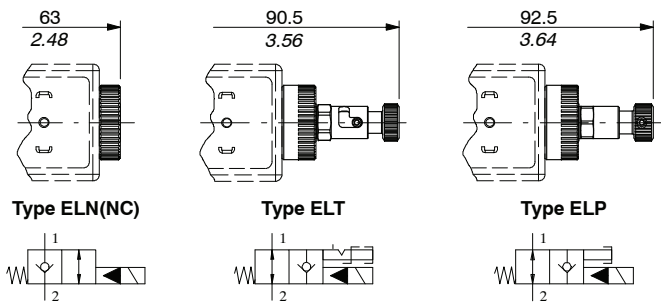
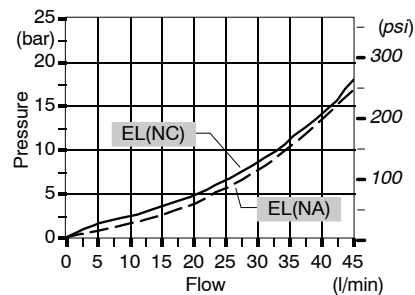
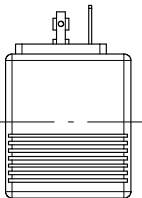
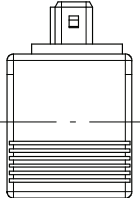
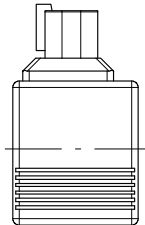
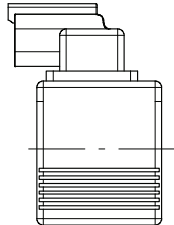
TYPE	CODE	DESCRIPTION
AET-ELNW	0EFW0132002	Normally open, without emergency
AET-ELNW(NC)	0EFW0132003	As previous, normally closed
AET-ELTW	0EFW0132000	Normally open, with "push&twist" emergency type
AET-ELPW	0EFW0132001	Normally open, with push-button emergency type

2. Coil

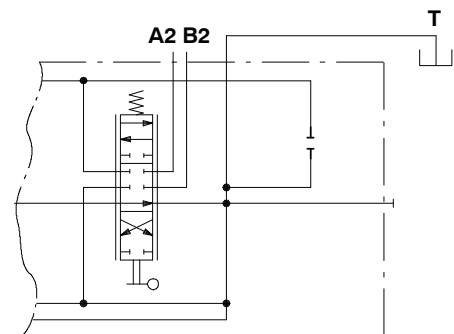
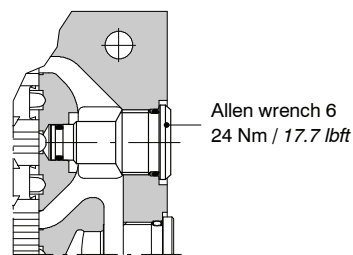
TYPE	CODE	DESCRIPTION
<u>With ISO4400 connection</u>		
12VDC	4SLE001200	Nominal voltage 12VDC
DB-12VDC	4SLE001217	As previous, with bi-directional diode
24VDC	4SLE002400	Nominal voltage 24VDC
DB-24VDC	4SLE002408	As previous, with bi-directional diode
<u>With AMP JPT connection</u>		
2-12VDC	4SLE001203	Nominal voltage 12VDC
2DB-12VDC	4SLE001211	As previous, with bi-directional diode
2-24VDC	4SLE002403	Nominal voltage 24VDC
<u>With Deutsch DT conenction</u>		
4-12VDC	4SLE001202	Nominal voltage 12VDC, parallel connection
4DB-12VDC	4SLE001216	As previous, with bi-directional diode
4PD-12VDC	4SLE001201	Nominal voltage 12VDC, perpendicular connection
4PDDB-12VDC	4SLE001209	As previous, with bi-directional diode
4-24VDC	4SLE002402	Nominal voltage 24VDC, parallel connection
4PD-24VDC	4SLE002401	Nominal voltage 24VDC, perpendicular connection
4PDDB-24VDC	4SLE002407	As previous, with bi-directional diode

directional valve with left inlet
SD5
Outlet port options
With solenoid pilot unloader valve

Type ELN

Valve operating features

Max. flow : 45 l/min
 Max. pressure : 315 bar / 4600 psi
 Internal leakage (from 1 to 2) : max. 3 cm³/min at 100 bar
 : max . 4.6 in³/min at 1450 psi

**Valve pressure drop
from 1 to 2 in open position**

ISO4400 connection

AMP JPT connection

**Deutsch DT connection
parallel type perpendicular type**

Coil operating features

Nominal voltage tolerance. : ±10%
 Power rating : 19.3 W - 12 VDC
 : 19.2 W - 24 VDC
 Max. operating current . . . : 1.61 A - 12 VDC
 : 0.80 A - 24VDC
 Coil insulation : Class H
 Weather protection : IP65 - ISO4400
 : IP69K - Deutsch DT
 : IP65 - AMP JPT
 Insertion : 100%

LT: unloader valve prearrangement


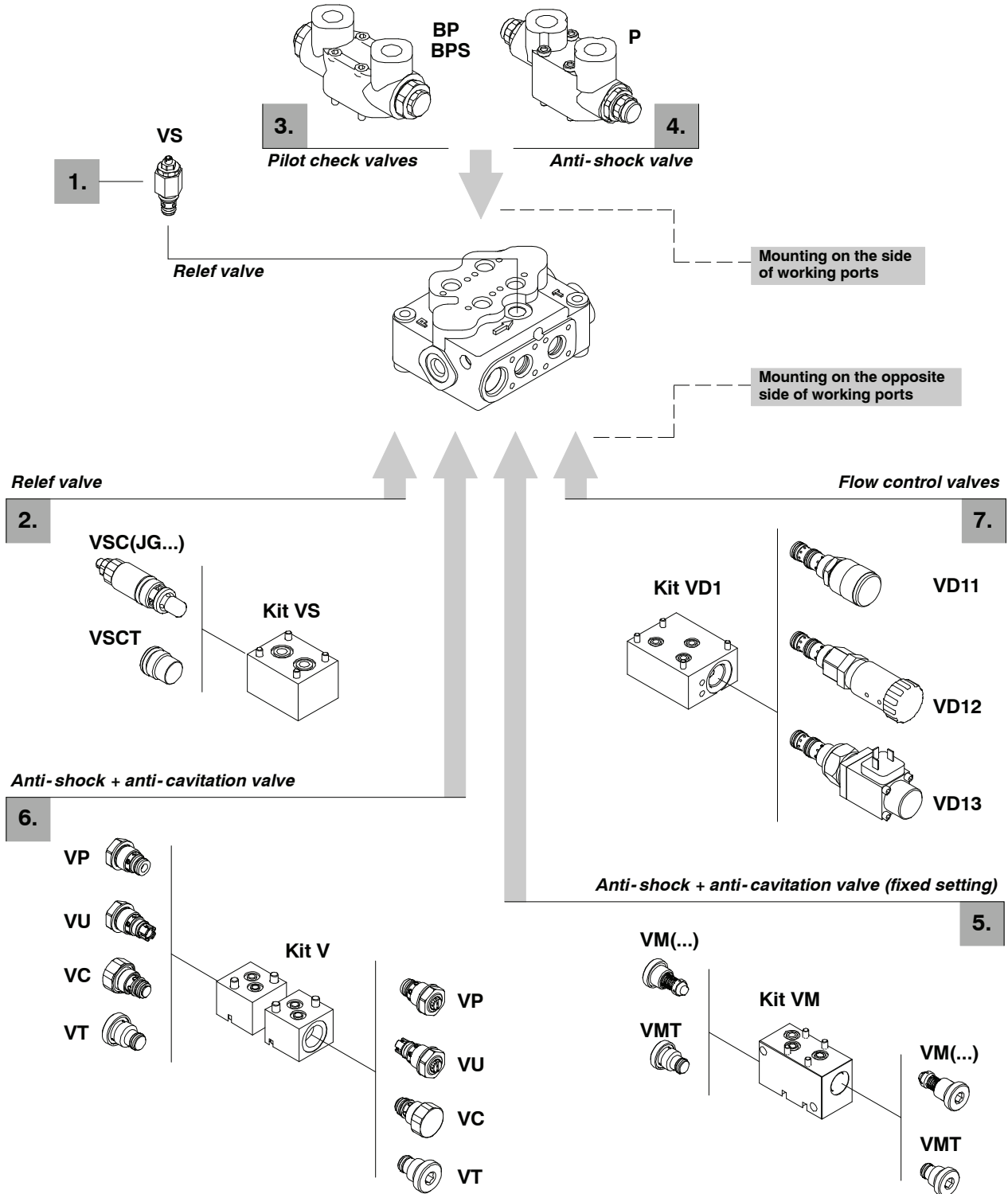
Description example:
 SD5/2-P(JG3-120)/18L/18L/AET-LT

SD5

directional valve with left inlet

Service and auxiliary valves

All service and auxiliary valves need **special body**: contact Sales Department.



1. Relief valves page 54

TYPE	CODE	DESCRIPTION
VS(G3-100)	3XCAR505113	Range 40 to 200 bar / 580 to 2900 psi standard setting 100 bar / 1450 psi
VST	3XTAP419300	Valve blanking plug

2. Flange mounted relief valve page 55

TYPE	CODE	DESCRIPTION
VSC(JG2-60)	5KIT105412	Range 40 to 80 bar / 580 to 1150 psi standard setting 60 bar / 870 psi
VSC(JG3-100)	5KIT105413	Range 63 to 200 bar / 900 to 2900 psi standard setting 100 bar / 1450 psi
VSC(JG4-200)	5KIT105414	Range 160 to 250 bar / 2300 to 3600 psi standard setting 200 bar / 2900 psi
VSCT	XTAP623282	Valve blanking plug
Kit VS	5CO2420000	Mounting block kit

3. Pilot check valves page 56

Supplied with mounting block

TYPE	CODE	DESCRIPTION
<u>Directv type</u>		
BP1	602002000*	Block with valve on port A
BP2	602002000*	Block with valve on port B
BP3	602002100*	Block with valves on ports A and B
BP	XCAR605110	Single valve

With pre-opening

BPS1	602003000*	Block with valve on port A
BPS2	602003000*	Block with valve on port B
BPS3	602003100*	Block with valves on ports A and B
BPS	XCAR605210	Single valve
BPT	XTAP627300	BP and BPS valves blanking plug

4. P antishock valves page 57

Cross return type, supplied with mounting block

TYPE	CODE	DESCRIPTION
P1(D3-100)	602001000*	Block with valve on port A
P2(D3-100)	602001000*	Block with valve on port B
P3(D3-100)	602001100*	Block with valves on ports A and B
P(D2-60)	5CAR211112	Single valve: range 40 to 100 bar / 580 to 1450 psi, standard setting 60 bar / 870 psi
P(D3-100)	5CAR211113	Single valve: range 80 to 200 bar / 1150 to 2900 psi, standard setting 100 bar / 1450 psi
P(D4-200)	5CAR211113	Single valve: range 180 to 315 bar / 2600 to 4600 psi, standard setting 200 bar / 2900 psi
PT	XTAP526430	Valve blanking plug (for configuration P1, P2)

NOTE - Valve setting at points 1-2-4-5-6 are referred to 10 l/min flow.
 - (*) Codes are referred to **BSP** threads.

5. VM anti-schock+anti-cavitation valve page 59

 Flange mounted type with **fixed setting** and fitted with mounting block.

TYPE	CODE	DESCRIPTION
VM(50)	5KIT326050	Setting 50 bar / 725 psi
VM(60)	5KIT326060	Setting 60 bar / 870 psi
VM(70)	5KIT326070	Setting 70 bar / 1010 psi
VM(80)	5KIT326080	Setting 80 bar / 1150 psi
VM(90)	5KIT326090	Setting 90 bar / 1300 psi
VM(100)	5KIT326100	Setting 100 bar / 1450 psi
VM(125)	5KIT326125	Setting 125 bar / 1800 psi
VM(140)	5KIT326140	Setting 140 bar / 2050 psi
VM(160)	5KIT326160	Setting 160 bar / 2300 psi
VM(175)	5KIT326175	Setting 175 bar / 2550 psi
VM(190)	5KIT326190	Setting 190 bar / 2750 psi
VM(210)	5KIT326210	Setting 210 bar / 3050 psi
VM(230)	5KIT326230	Setting 230 bar / 3350 psi
VM(250)	5KIT326250	Setting 250 bar / 3600 psi
VM(260)	5KIT326260	Setting 260 bar / 3750 psi
VM(280)	5KIT326280	Setting 280 bar / 4050 psi
VM(300)	5KIT326300	Setting 300 bar / 4350 psi
VMT	XTAP221340	Valve blanking plug
Kit VM	5CO2820020	Mounting block kit

6. V anti-schock+anti-cavitation valve pag. 61

Set of valves fitted with mounting block.

TYPE	CODE	DESCRIPTION
Kit V	5CO2820010	Mounting block kit
T	XTAP524280	Valve blanking plug
C	5KIT406110	Anti-cavitation valve
<u>Anti-shock valves</u>		
P(G2)	5KIT206112	Range 60 to 125 bar / 870 to 1800 psi standard setting 80 bar / 1150 psi
P(G3)	5KIT206113	Range 80 to 200 bar / 1150 to 2900 psi standard setting 120 bar / 1750 psi
P(G4)	5KIT206114	Range 160 to 250 bar / 2300 to 3600 psi standard setting 200 bar / 2900 psi
<u>Anti-shock + anti-cavitation valves</u>		
U(G2)	5KIT305112	Range 40 to 100 bar / 580 to 1450 psi standard setting 80 bar / 1150 psi
U(G3)	5KIT305113	Range 80 to 200 bar / 1150 to 2900 psi standard setting 120 bar / 1750 psi
U(G4)	5KIT305114	Range 160 to 315 bar / 2300 to 4600 psi standard setting 200 bar / 2900 psi

7. Flow control valves page 65

Flow control on every section; with auxiliary inlet

TYPE	CODE	DESCRIPTION
VD11	2S0PP10002000	Fine regulation from 3 to 30 l/min
VD12	2S1636020211	As VD11, one turn with detent
VD13	2S0PP10002002	12VDC proportional solenoid valve
Kit VD1	5CO2822010*	Mounting block kit

SD5

directional valve with left inlet

Service and auxiliary valves

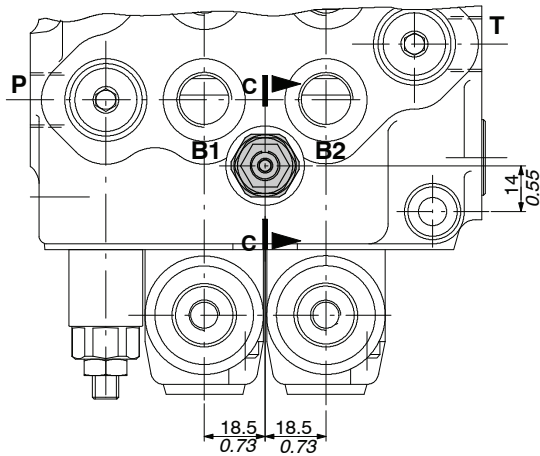
VS relief valve

It's suggested for flow up to 25 l/min, and it's mounted on parallel body to limitate the pressure, at lower value than main relief valve (min. gap 20 bar / 290 psi), on downstream section.

It's in parallel with flow trough and it works only with single operation.

VS (G 3 - 100)

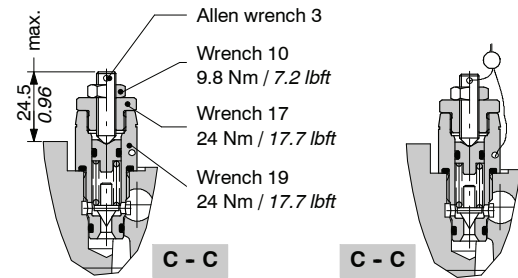
- Pressure setting in bar (standard 100 bar / 1450 psi)
- Spring type
- Adjustment type (G, H)



Adjustment type

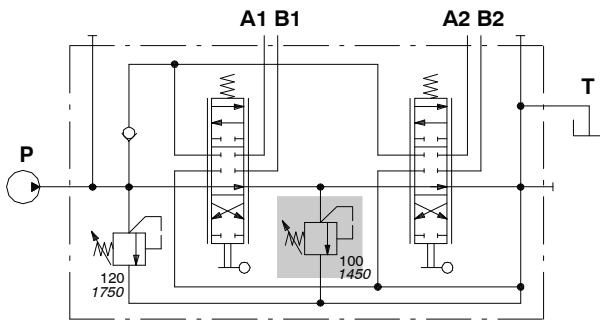
G: with screw

H: valve set and locked



Performance data

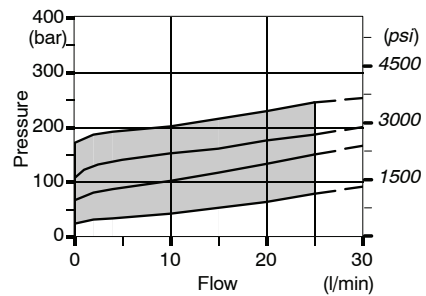
Hydraulic circuit



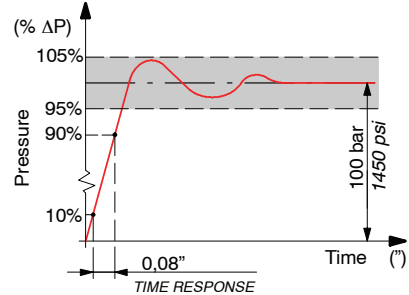
Description example:

SD5/2-P(KG3-120)/18L/VS(G3-100)/18L/AET-PSA

Spring nr. 3 (blue band)

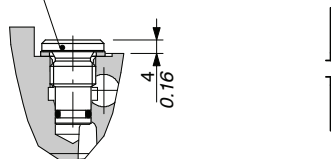


Time response



VST: valve blanking plug

Allen wrench 6
42 Nm / 31 lbft



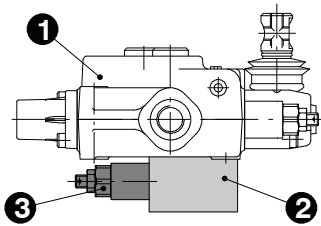
directional valve with left inlet
SD5
Service and auxiliary valves
VSC relief valve

It's flange mounted on parallel body on the opposite side of working ports, the function to limit the pressure, at lower value than main relief valve (min. gap 20 bar / 290 psi) on downstream sections.

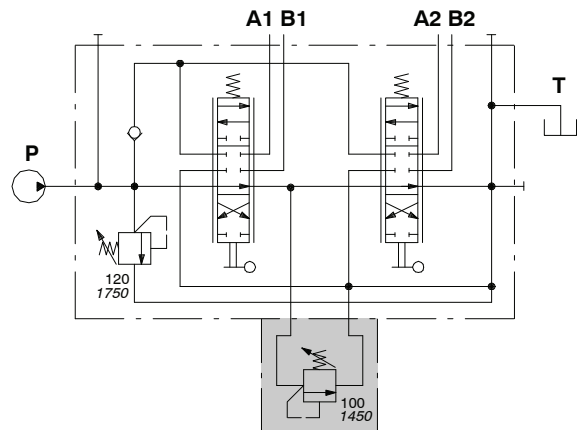
It's in parallel with flow through line and it works only with single operation.

It needs a dedicated body with extra machining: for production requirements, the block (2) is flanged (1) before the final honing of spool hole, while the valve (3) is mounted during final assembling phase.

For information contact Sales Department.

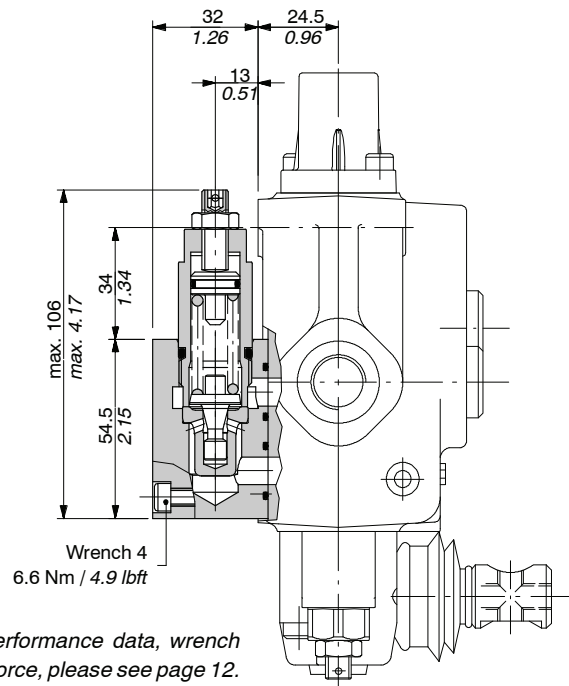
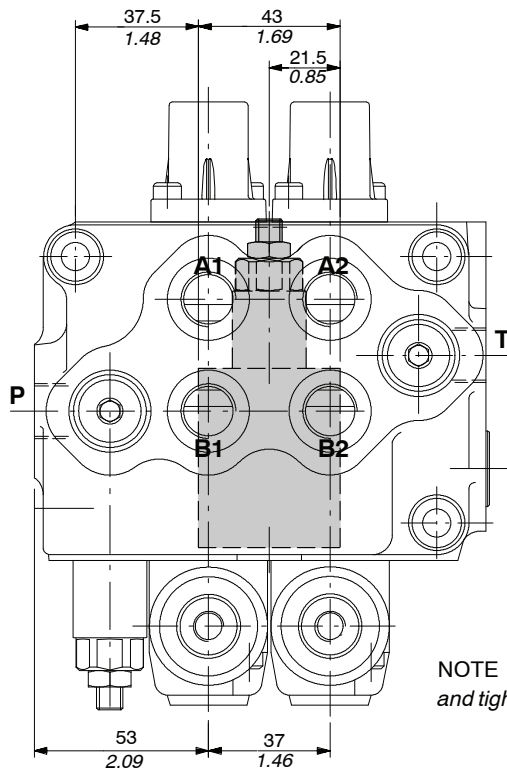

VSC (J G 3 - 100)

- Standard setting in bar (for value see page 53)
- Adjustable spring type (2, 3, 4).
- Adjustment type (G, H).



Description example:

SD5/2-P(JG3-120)/18L/VSC(JG3-100)/18L/AET



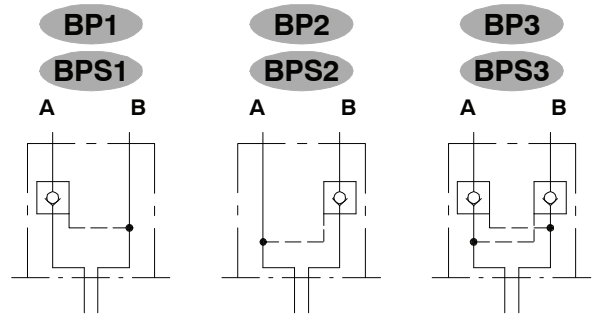
NOTE - For performance data, wrench and tightening force, please see page 12.

SD5
directional valve with left inlet
Service and auxiliary valves
BP, BPS pilot check valves

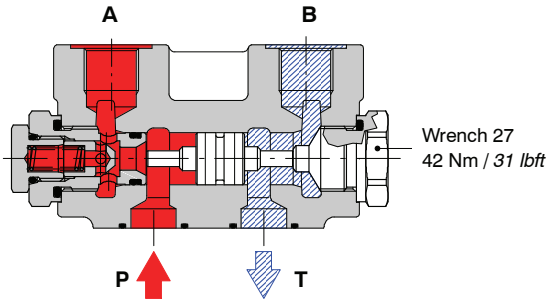
Cast iron block with pilot check valves.

BPS 1

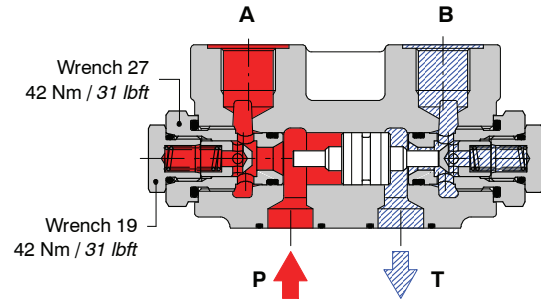
- 1 mounted on port A.
 - 2 mounted on port B.
 - 3 mounted on ports A and B.
- BP** direct type
BPS with pre-opening


BP1 configuration

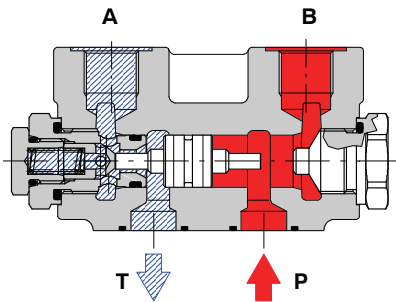
Example of pressure on port A and port B to tank


BP3 configuration

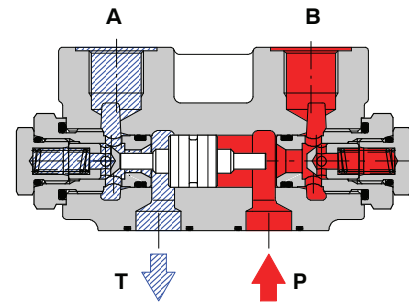
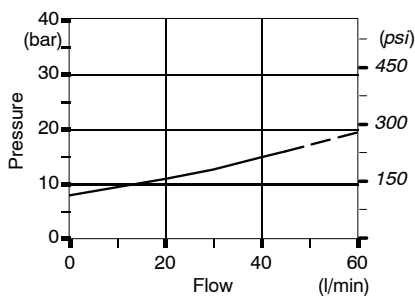
Example of pressure on port A and port B to tank



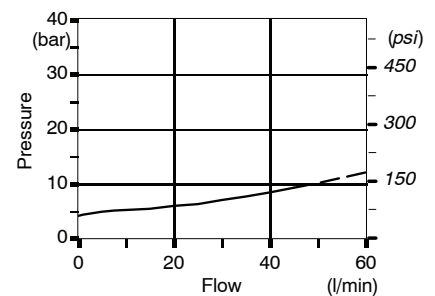
Example of pressure on port B and port A to tank



Example of pressure on port B and port A to tank


Performance data
BP valve pressure drop


Type	Pilot ratio	
	With pre-opening	Main
BP	/	1 : 5.3
BPS	1 : 16	1 : 3.2

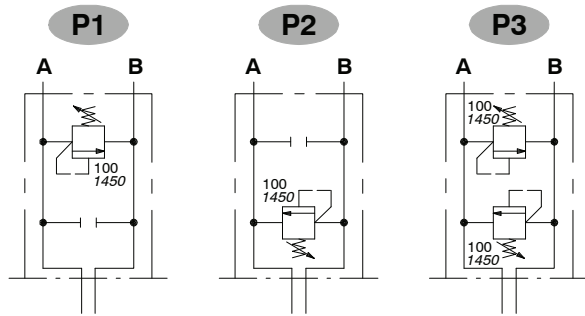
BPS valve pressure drop


P anti-shock valves with cross return

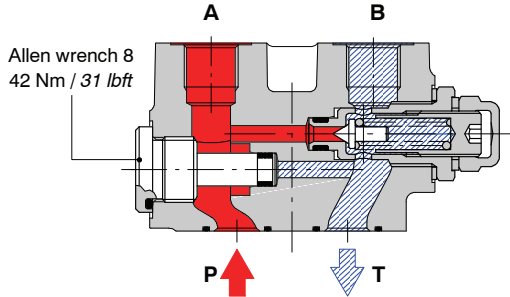
Cast iron block with antishock valves.

P 1 (D 3 - 100)

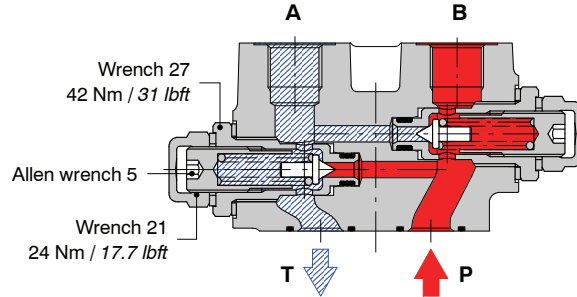
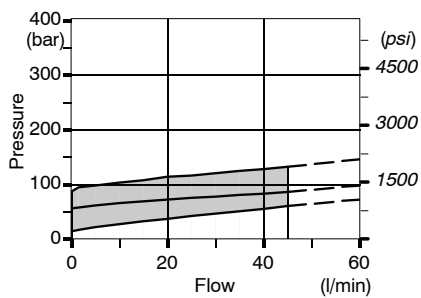
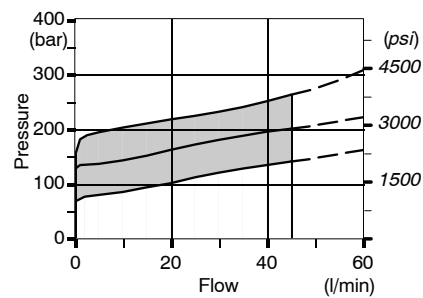
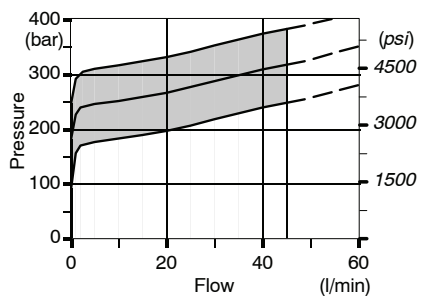
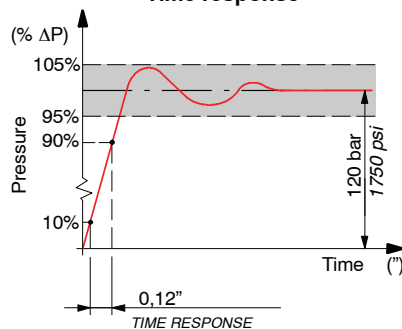
- Standard setting in bar (for value see page 43)
- Spring type **(2, 3, 4)**.
- Adjustment with blind nut **(D)**.
- 1** mounted on port A.
- 2** mounted on port B.
- 3** mounted on ports A and B.


P1 configuration

Example of pressure on port A and port B to tank


P3 configuration

Example of pressure on port B and port A to tank

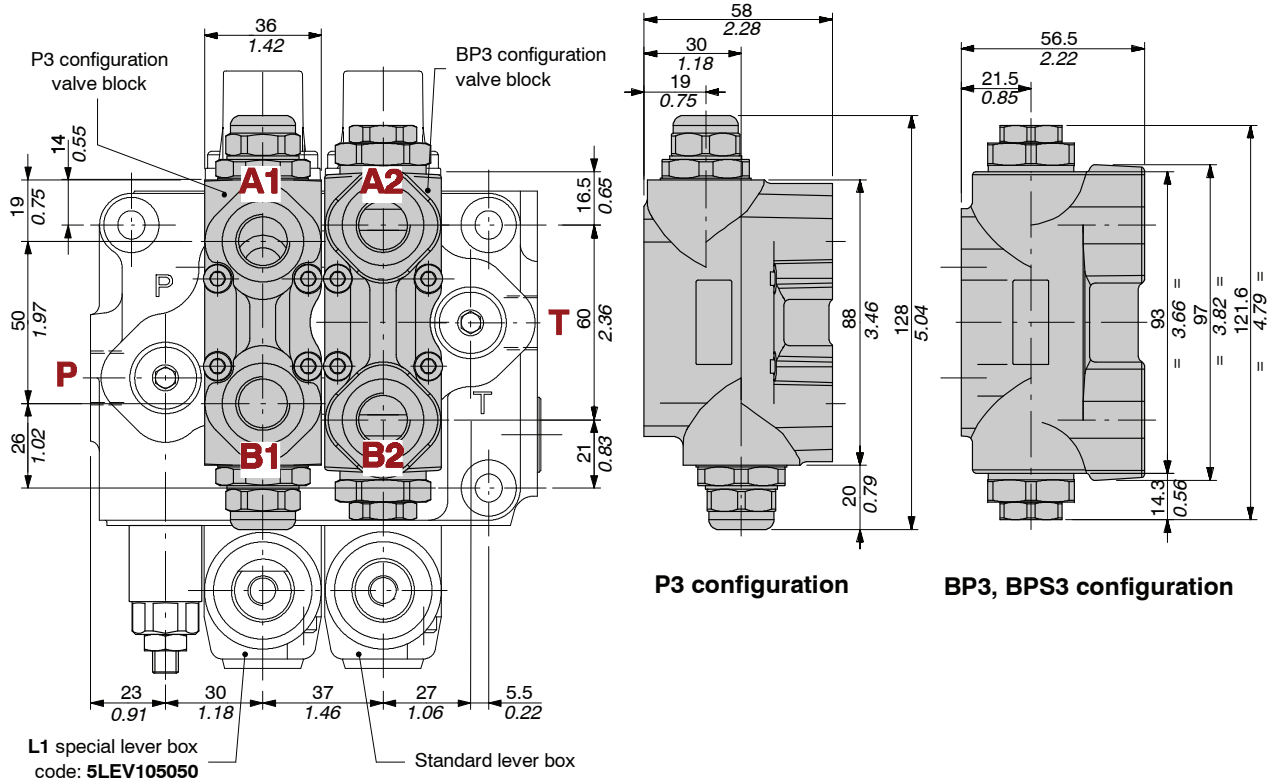

Performance data
Spring nr. 2 (green band)

Spring nr. 3 (blue band)

Spring nr. 4 (red band)

Time response


SD5

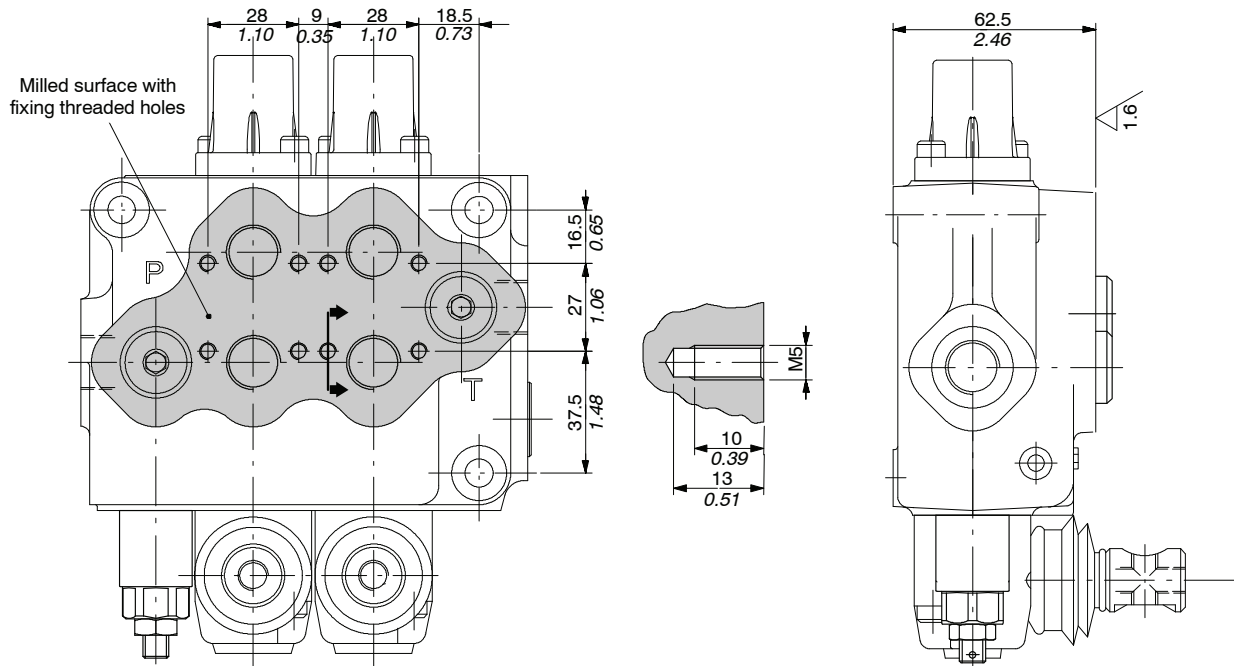
directional valve with left inlet

Service and auxiliary valves

Mounting example for valves type P and BP, BPS

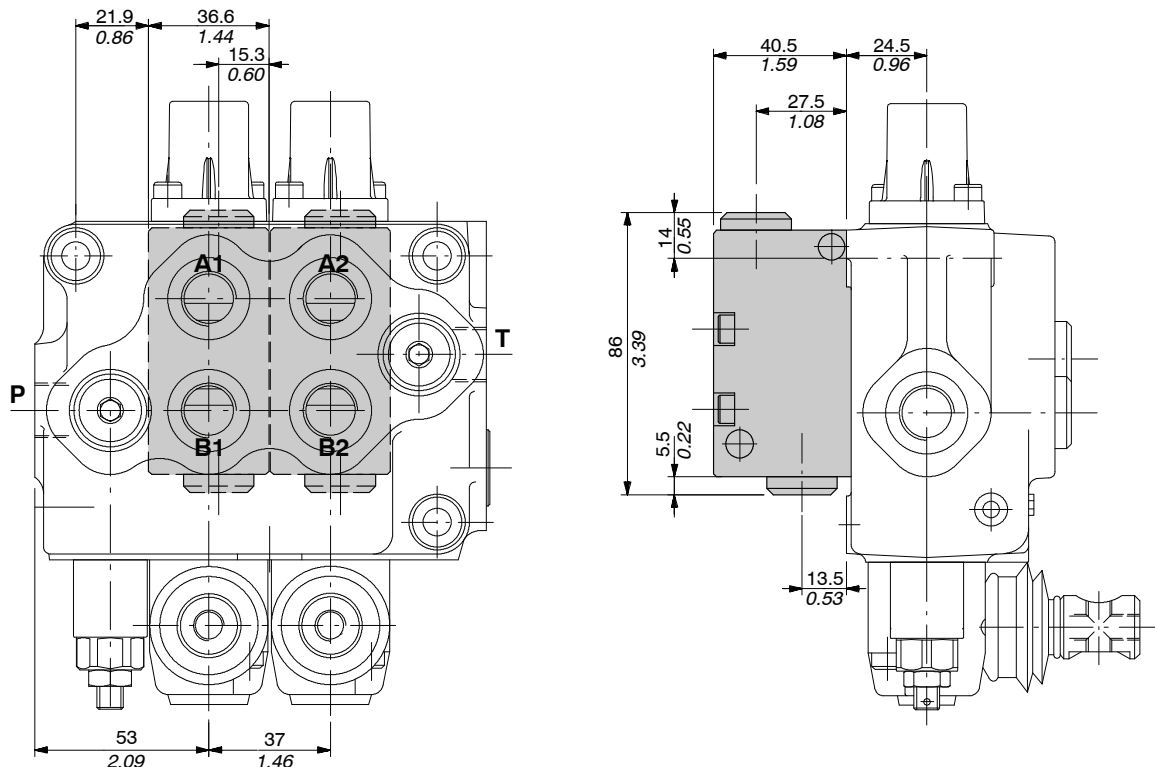
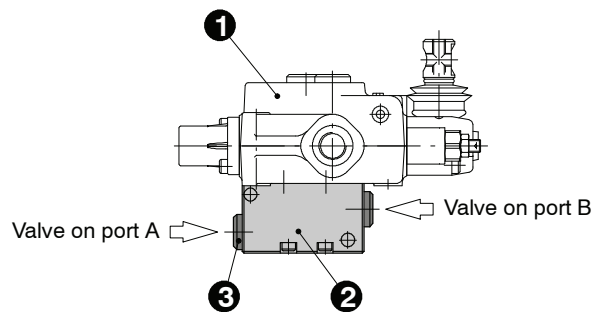


Example of extra machining on directional valve body



VM anti-shock and anti-cavitation

They are flange mounted on the opposite side of working ports, connected in parallel with A and B ports and with outlet on T port. It needs a dedicated body with extra machining: for production requirements, the block (2) is flanged on body (1) before the final honing of spool hole, while the valve (3) is mounted during final assembling phase. For information contact Sales Department.



SD5

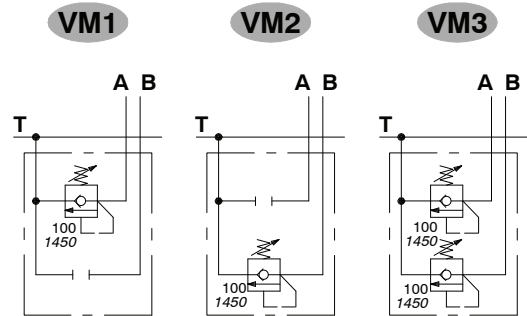
directional valve with left inlet

Service and auxiliary valves

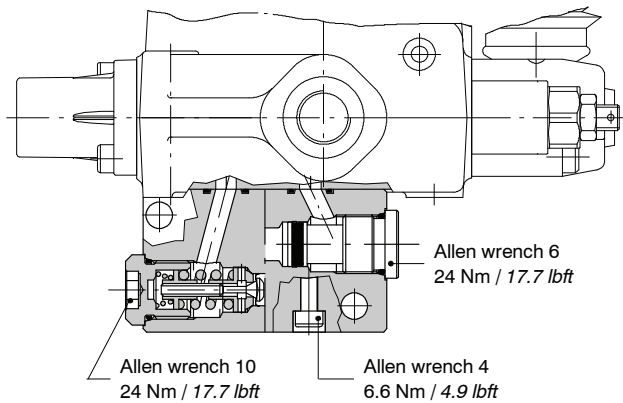
VM anti-shock and anti-cavitation

VM 1 (100)

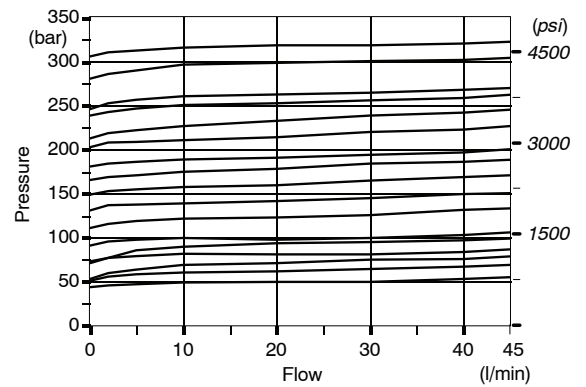
- Valve setting in bar
- 1** mounted on port A
 - 2** mounted on port B
 - 3** mounted on ports A and B



Example of VM1 configuration



Pressure-flow diagram

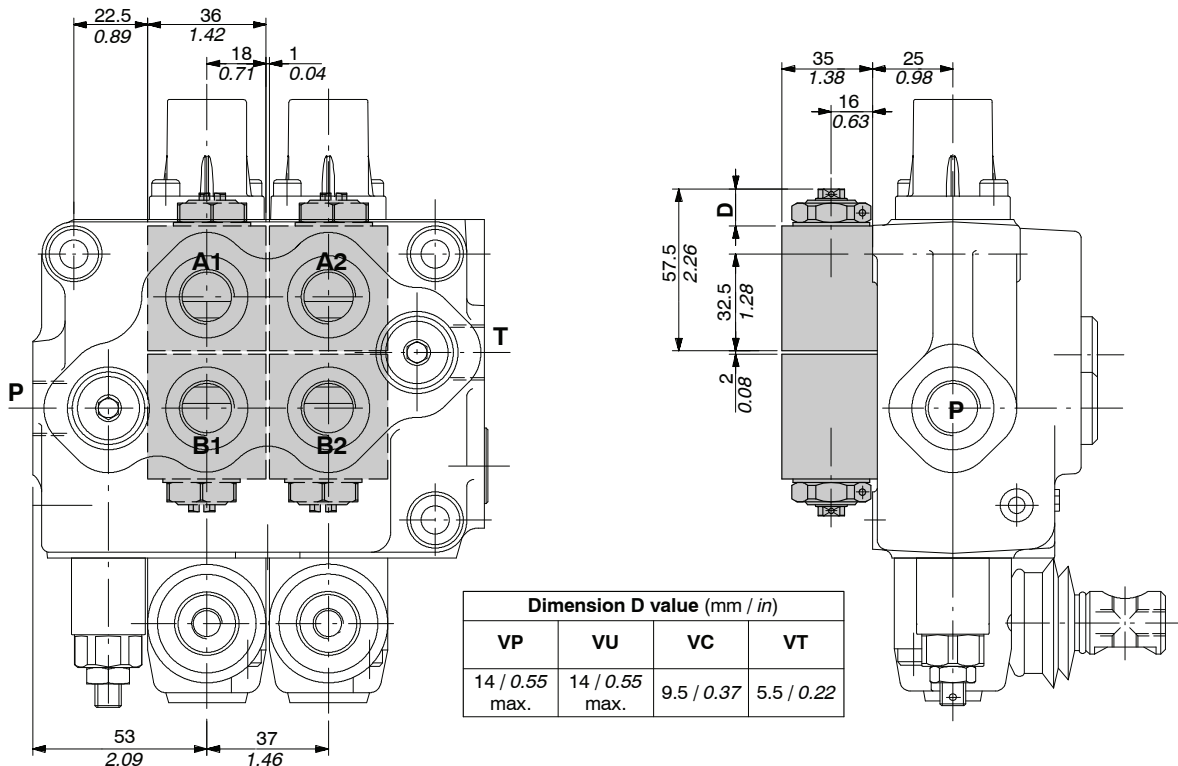
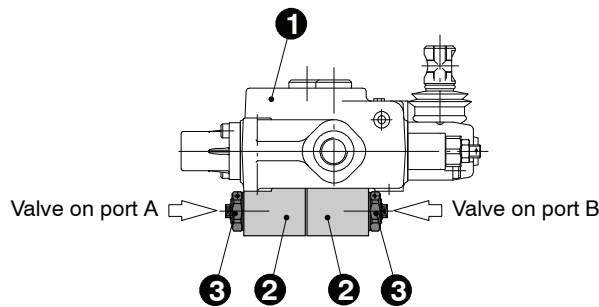


V anti-shock and anti-cavitation

They are anti-shock (VP), anti-shock and anti-cavitation (VU) and anti-cavitation (VC) service valves, flange mounted on the opposite side of working ports connected in parallel with A and B ports.

They need a dedicated body with extra machining: for production requirements, the blocks (2) are flanged on body (1) before the final honing of spool hole, while the valves (3) are mounted during final assembling phase.

For information contact Sales Department.

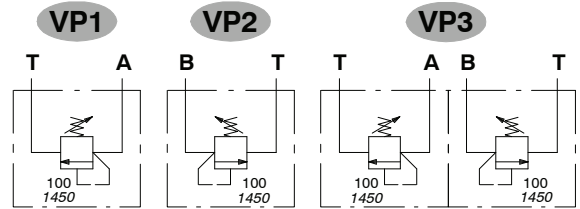
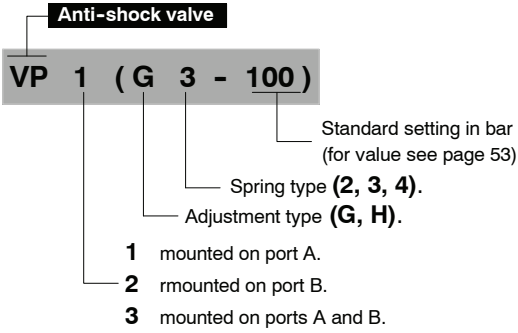


SD5

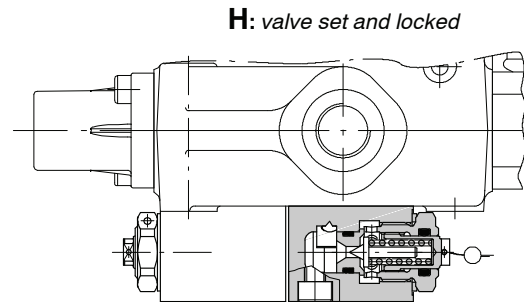
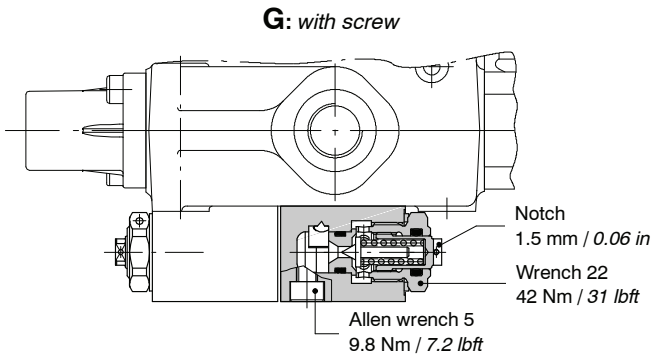
directional valve with left inlet

Service and auxiliary valves

V anti-shock+anti-cavitation valves

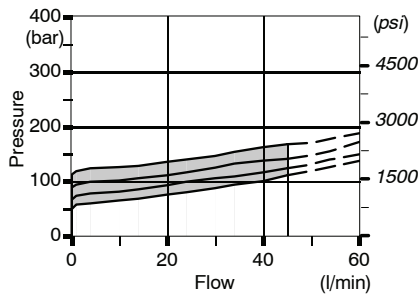


Adjustment type

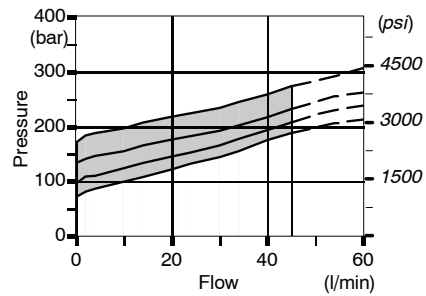


Performance data

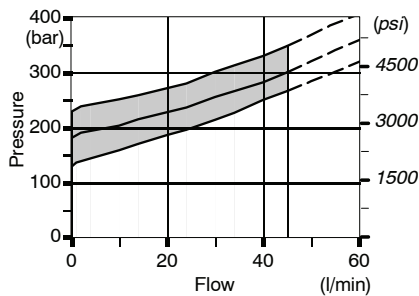
Spring nr. 2 (green band)



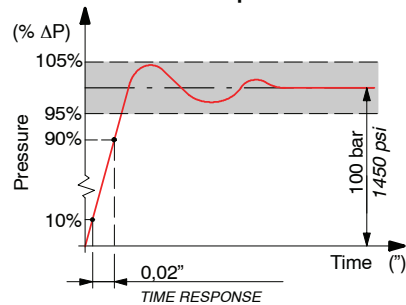
Spring nr. 3 (blue band)



Spring nr.4 (red band)



Time response



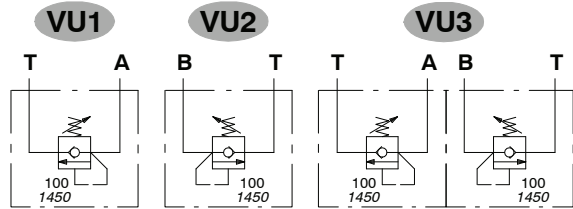
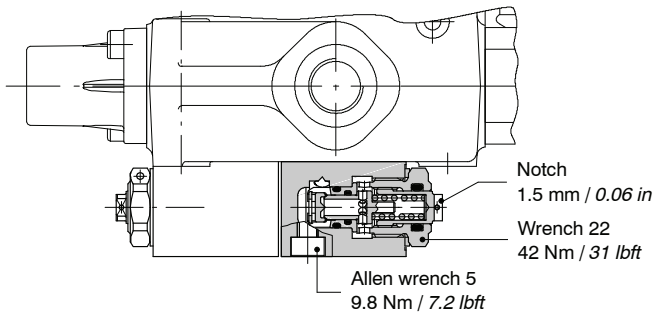
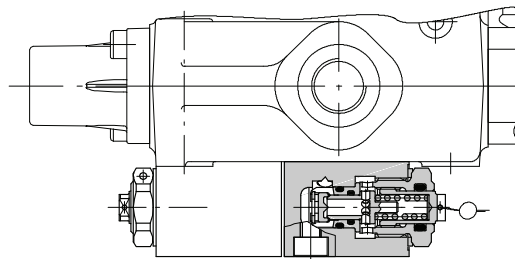
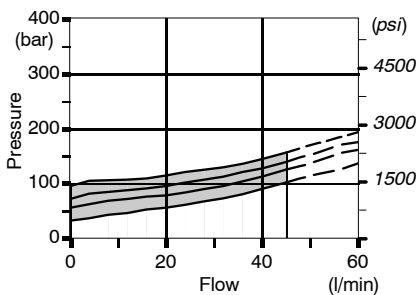
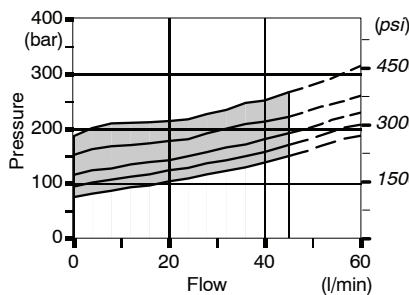
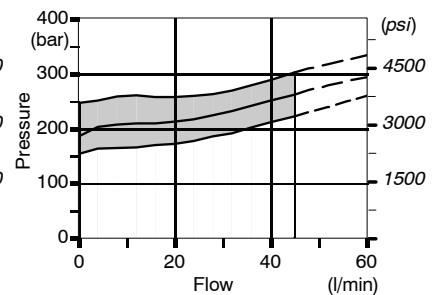
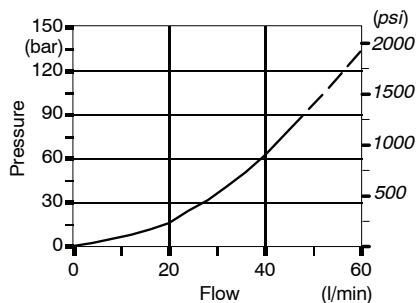
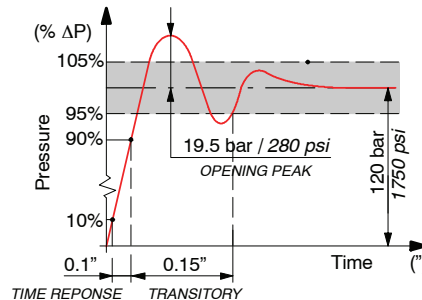
V anti-shock and anti-cavitation
Anti-shock + anti-cavitation valve
VU 1 (G 3 - 100)

 Standard setting in bar
 (for value see page 53)

 Spring type **(2, 3, 4)**.

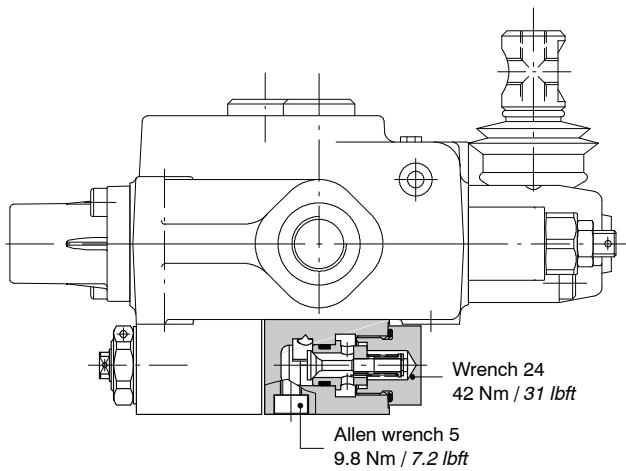
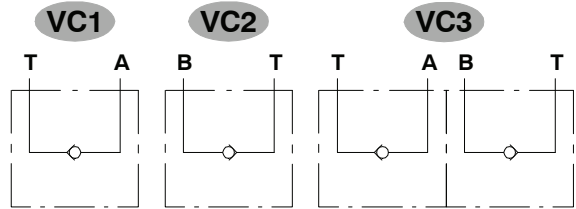
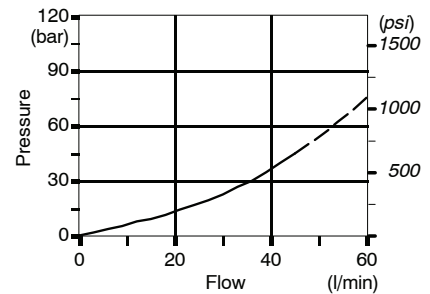
 Adjustment type **(G, H)**.

- 1** mounted on port A.
- 2** mounted on port B.
- 3** mounted on ports A and B.

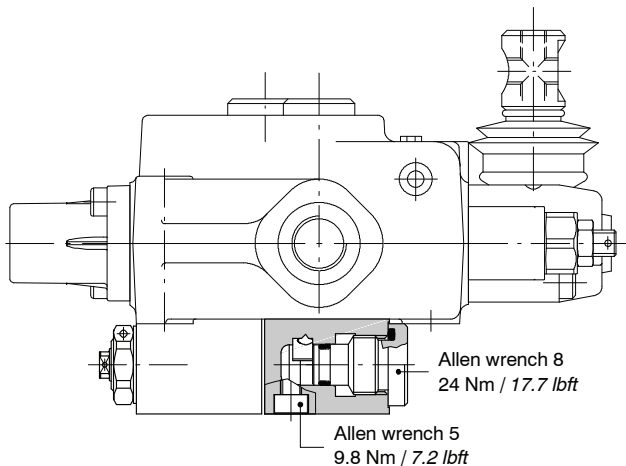
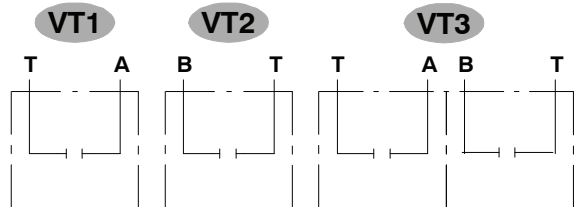

Adjustment type
G: with screw

H: valve set and locked

Performance data
Spring nr. 2 (green band)

Spring nr. 3 (blue band)

Spring nr. 4 (red band)

Pressure drops

Time response


SD5
directional valve with left inlet
Service and auxiliary valves
V anti-shock and anti-cavitation
Anti-cavitation valve
VC 1

- 1 mounted on port A.
- 2 mounted on port B.
- 3 mounted on ports A and B.


Pressure drop

Valve blanking plug
VT 1

- 1 mounted on port A.
- 2 mounted on port B.
- 3 mounted on ports A and B.



VD1 flow control valves

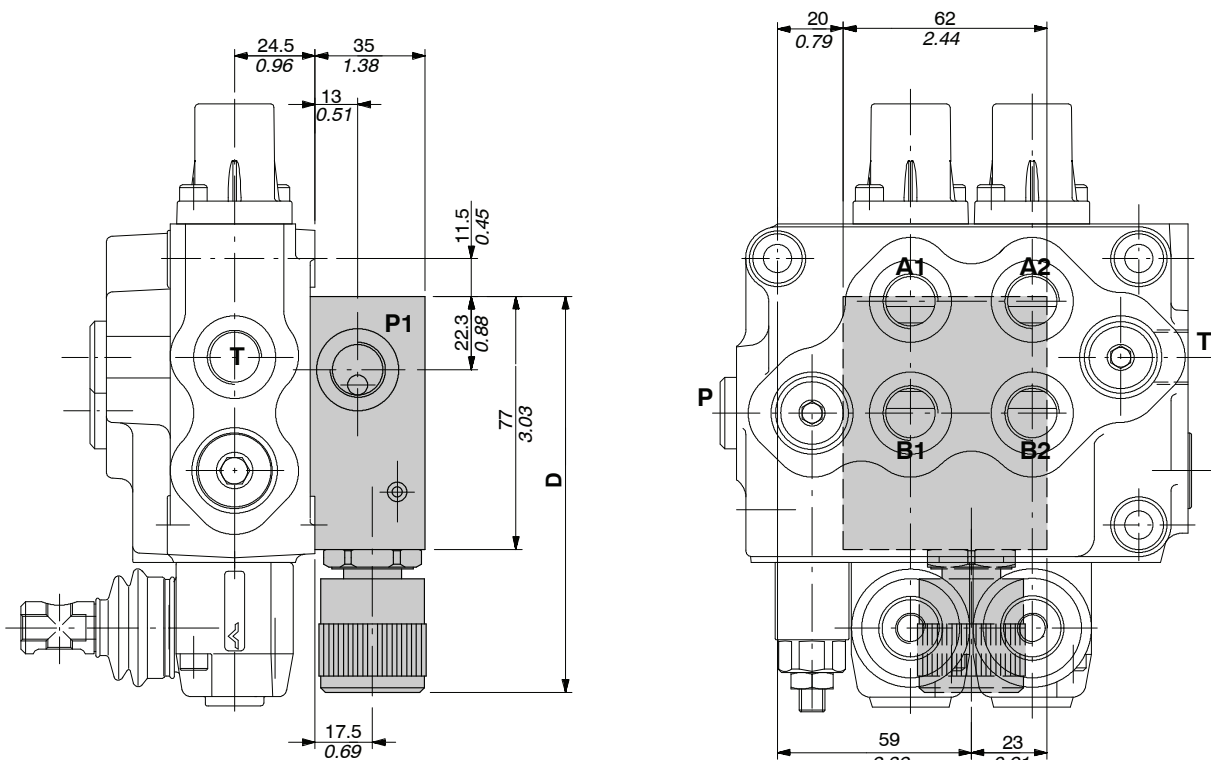
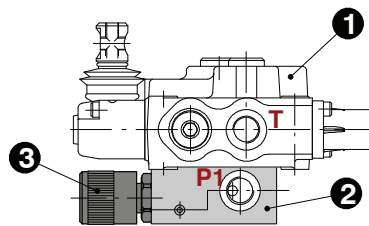
Block with pressure compensated 3-way flow control valve, to be flange mounted on body with parallel circuit.

The cavity is oriented toward lever side.

The flow is regulated on every working section while the exceeding flow goes to tank: max. regulated flow 30 l/min (with inlet on P1 port).

It needs a dedicated body with extra machining: for production requirements, the block (2) is flanged (1) before the final honing of spool hole, while the valve (3) is mounted during final assembling phase.

For information contact Sales Department.



Dimension D value (mm / in)		
VD11	VD12	VD13
121 / 4.76	171.5 / 6.75	171.5 / 6.75

SD5

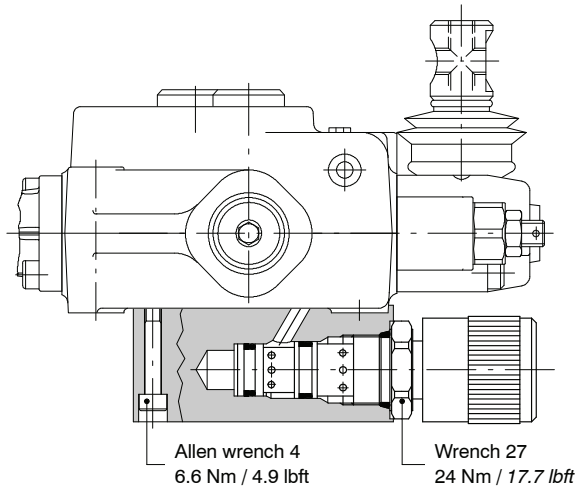
directional valve with left inlet

Service and auxiliary valves

VD1 flow control valves

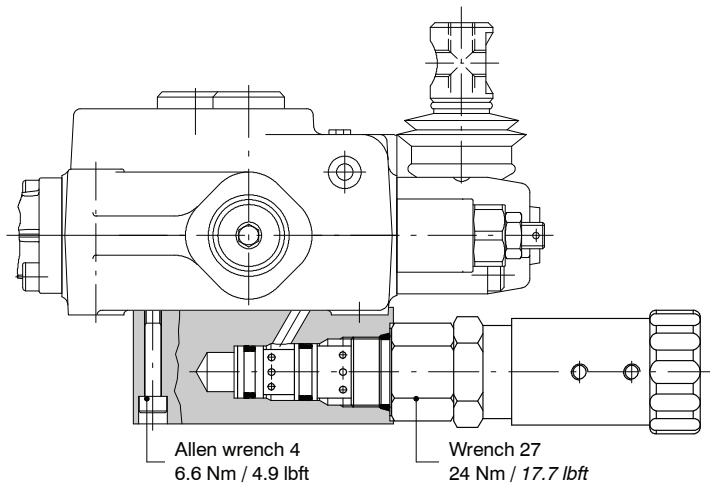
Manual control

VD11: continuous fine regulation



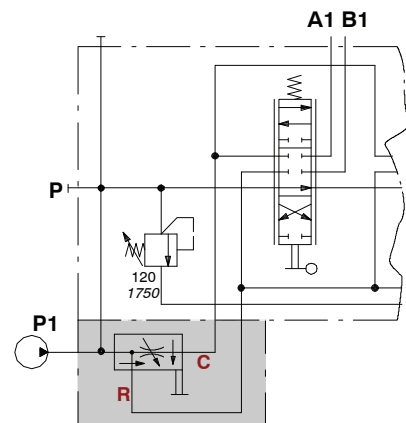
Description example: SD5/2-P(JG3-120)VD11/18L/18L/AET

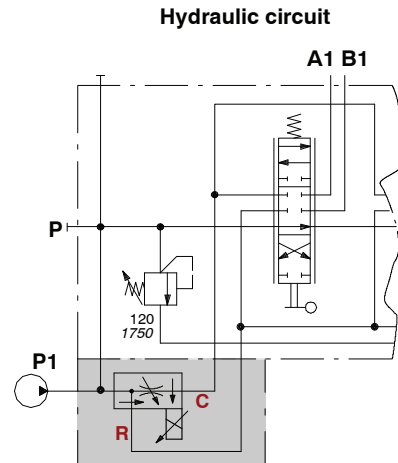
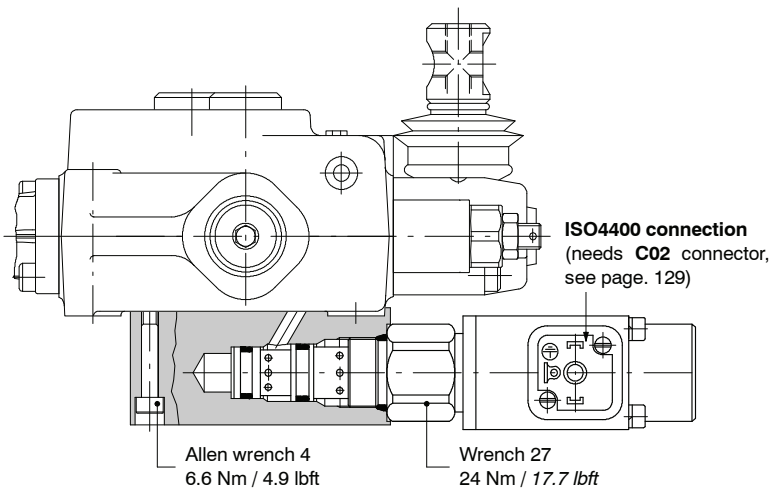
VD12: one turn with detent handknob regulated



Description example: SD5/2-P(JG3-120)VD12/18L/18L/AET

Hydraulic circuit



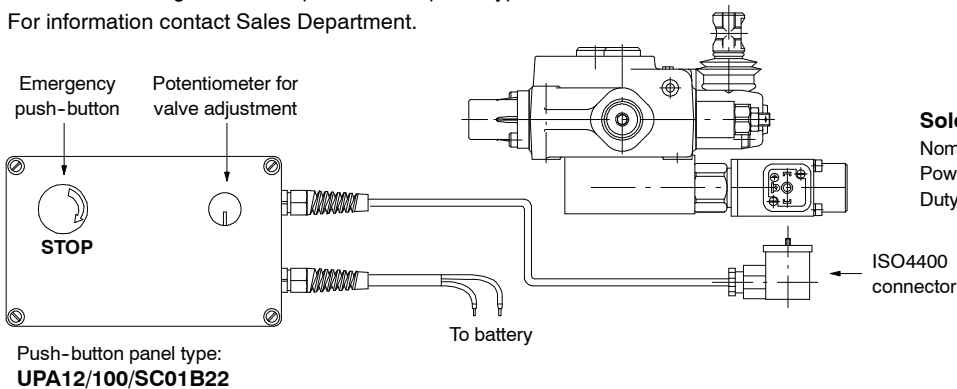
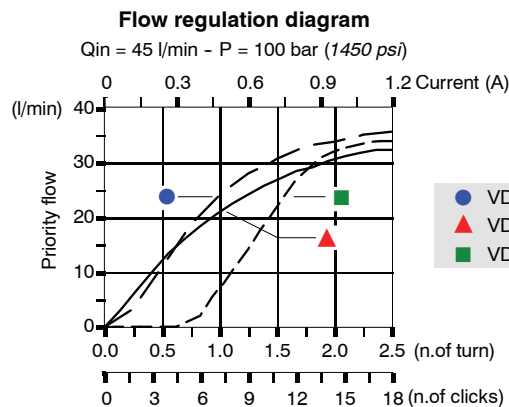
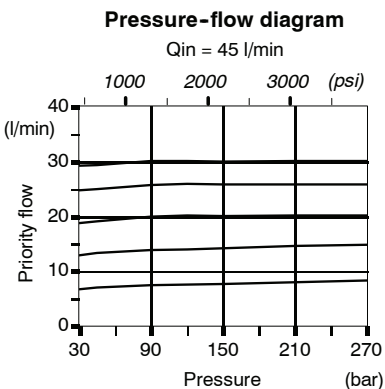
directional valve with left inlet
SD5
Service and auxiliary valves
VD1 flow control valves
VD13 with proportional solenoid control


Description example: SD5/2-P(JG3-120)VD13/18L/18L/AET

Proportional solenoid flow control valve connection

It's shows a configuration with push-button panel type UPA.

For information contact Sales Department.


Performance data




Hydraulik · Automation

SD5

directional valve with left inlet




SD5/1-N page 70

It's available only with one working section and it can be used in hydraulic circuits where carry-over doesn't required.

- For controls, spool positioning and valves, refer to directional valve with parallel circuit.


SD5/1-D page 71

It's available only with one working section and it can be used in hydraulic circuits where carry-over is required.

- For controls and spool positioning refer to directional valve with parallel circuit.
- Configurations with service and auxiliary valves aren't available


SD5-S: with series circuit page 72

Available from 2 to 6 sections, it can be used in systems with one downstream section from series connection must work with upstream ones at the same time.

- On the same body are possible more than one connection.
- It's not available the carry-over circuit.
- For controls, spool positioning and valves, refer to directional valve with parallel circuit.


SD5-SP: with tandem circuit page 74

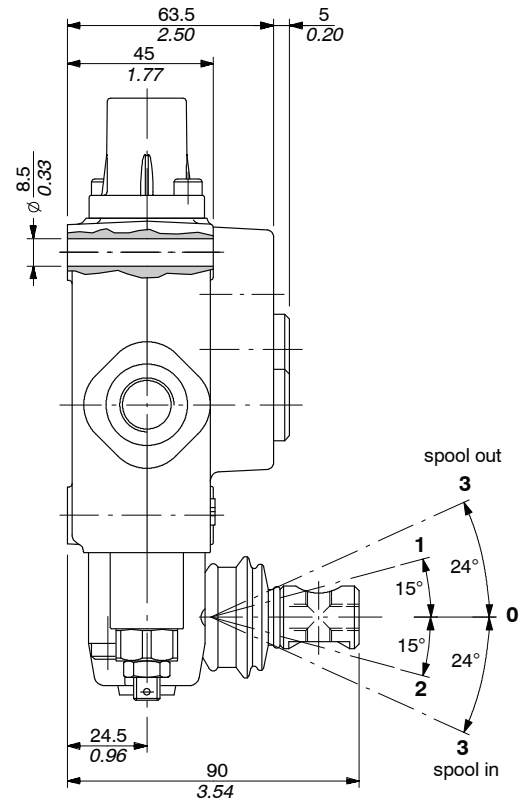
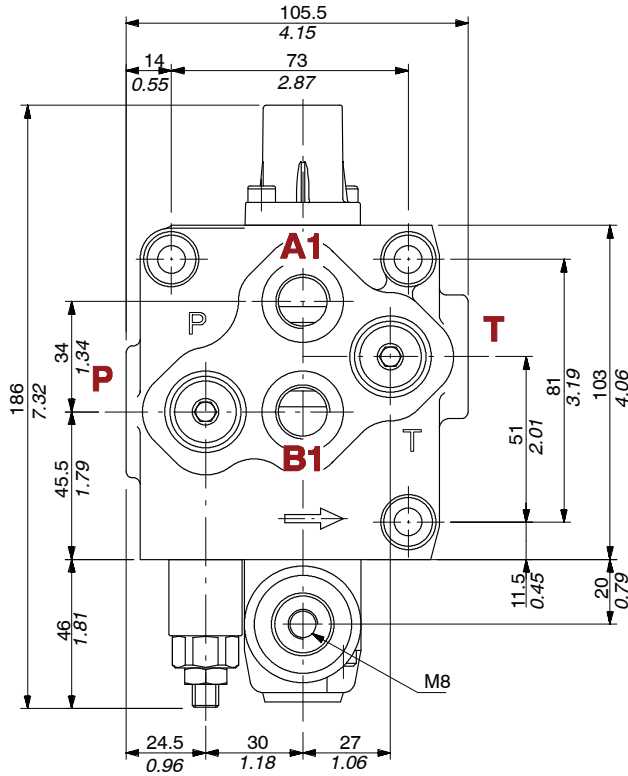
Available from 2 to 6 sections, for security reasons it can be used in systems which is required to prohibit engagement of downstream sections from tandem connection when the upstream sections are working.

- On the same body are possible more than one connection.
- For controls, spool positioning and valves, refer to directional valve with parallel circuit.

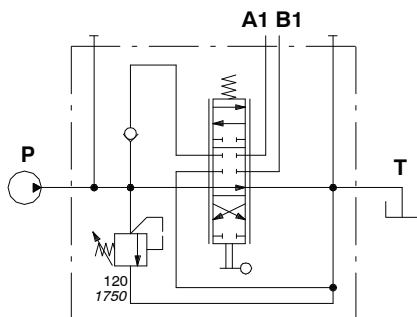
SD5/1-N

directional valve with left inlet

Dimensional data

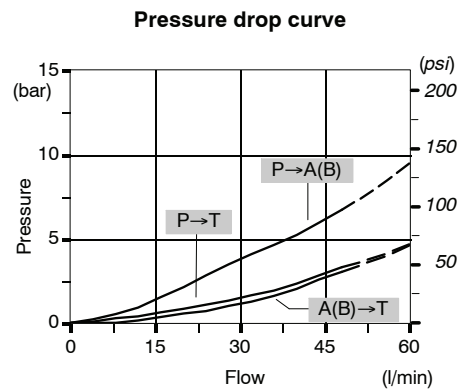


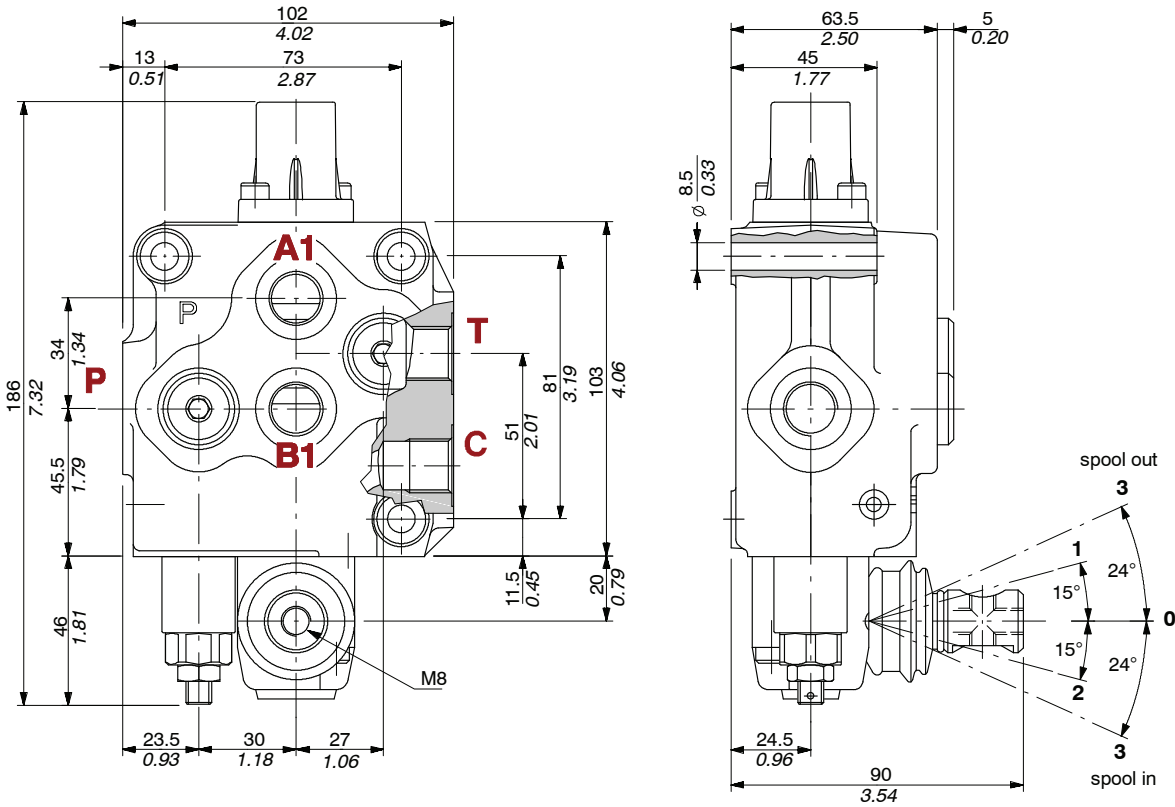
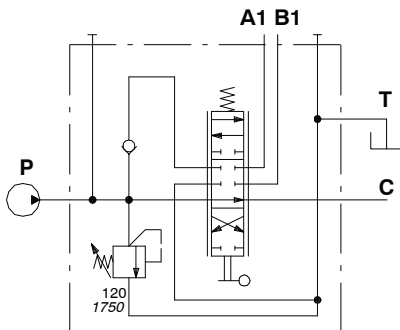
Hydraulic circuit



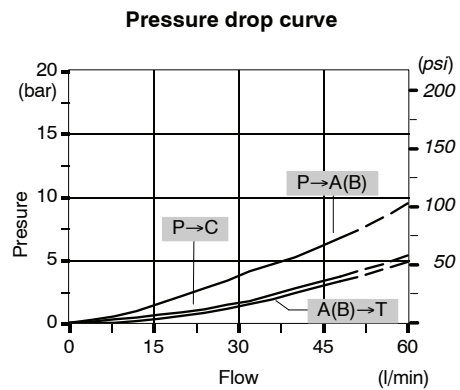
Description example:
SD5/1-N(JG3-120)/18L
Code: 102110033

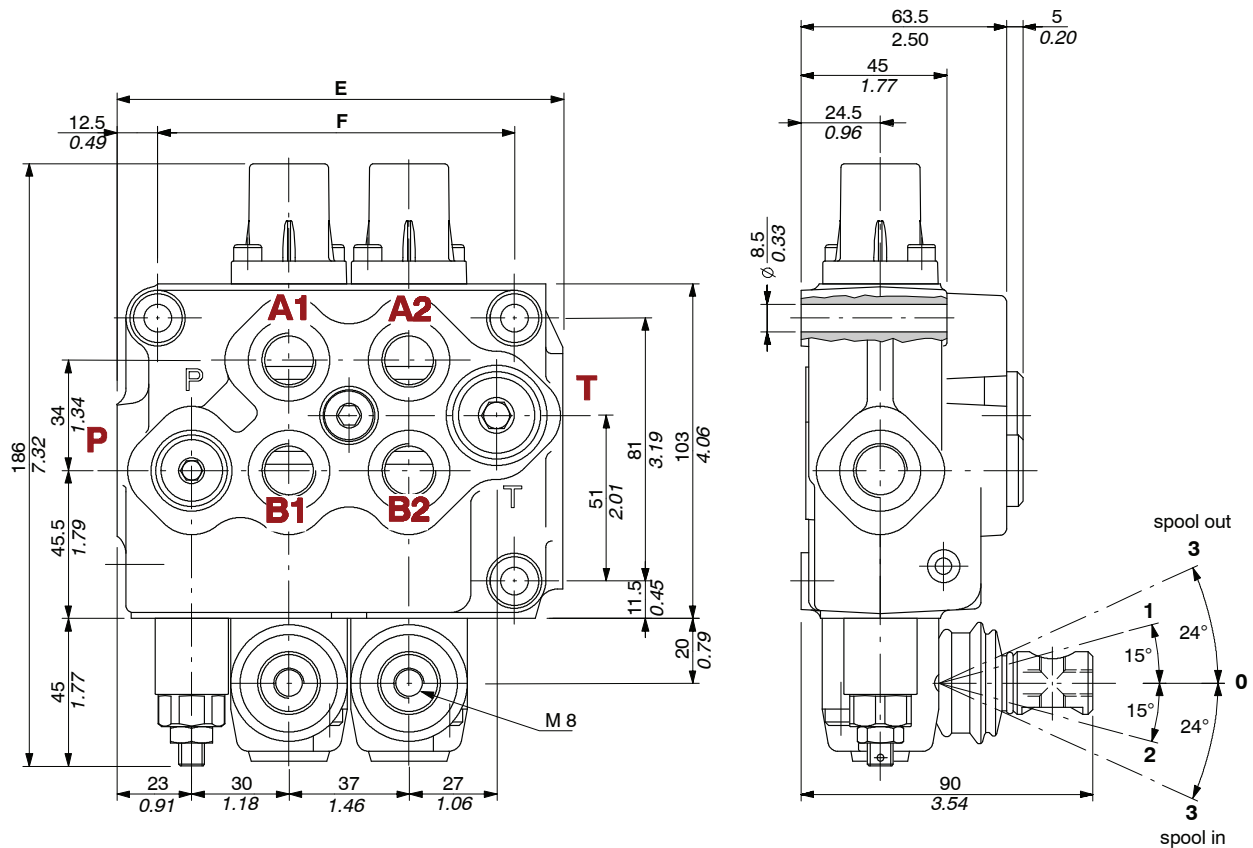
Performance data



directional valve with left inlet
SD5/1-D
Dimensional data

Hydraulic circuit


Description example:
 SD5/1-D(JG3-120)/18L
 Code: 102160027

Performance data


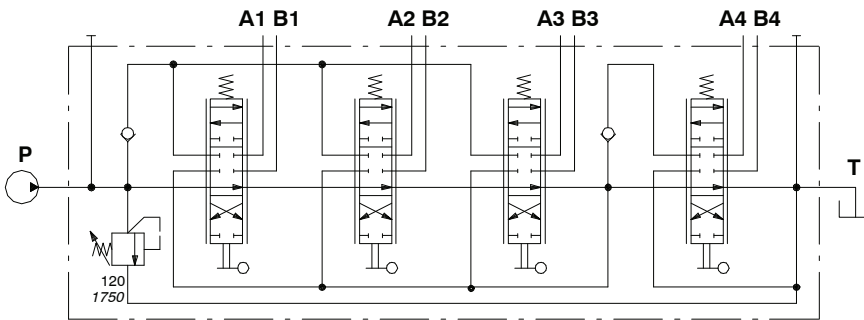
SD5-S
directional valve with left inlet
Dimensional data


TYPE	E		F		Weight	
	mm	in	mm	in	kg	lb
SD5/2-S	137.5	5.41	110	4.33	5.2	11.4
SD5/3-S	174.5	6.87	147	5.79	6.9	15.2
SD5/4-S	211.5	8.33	184	7.24	8.1	17.9

TYPE	E		F		Weight	
	mm	in	mm	in	kg	lb
SD5/5-S	248.5	9.78	221	8.70	10.1	22.3
SD5/6-S	285.5	11.2	258	10.2	11.7	25.8

directional valve with left inlet
SD5-S
Hydraulic circuit

The description of SD5 valve with series circuit is marked with letter "S" and one figure which indicate the downstream sections from series connection.



Description example: SD5/4-S1(JG3-120)/18L/18L/18L/18L

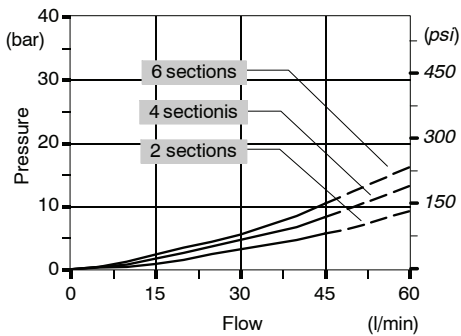
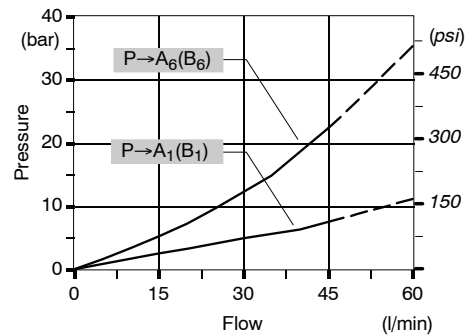
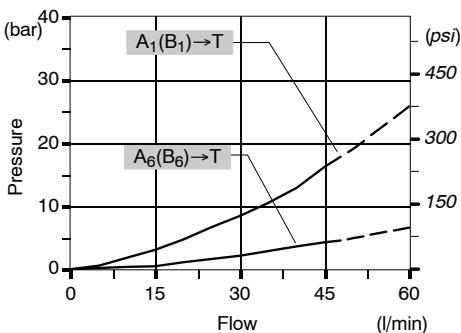
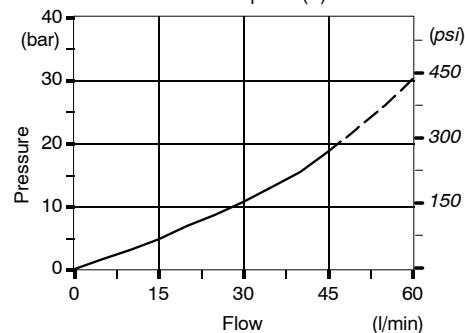
Code: 1024B0027 *

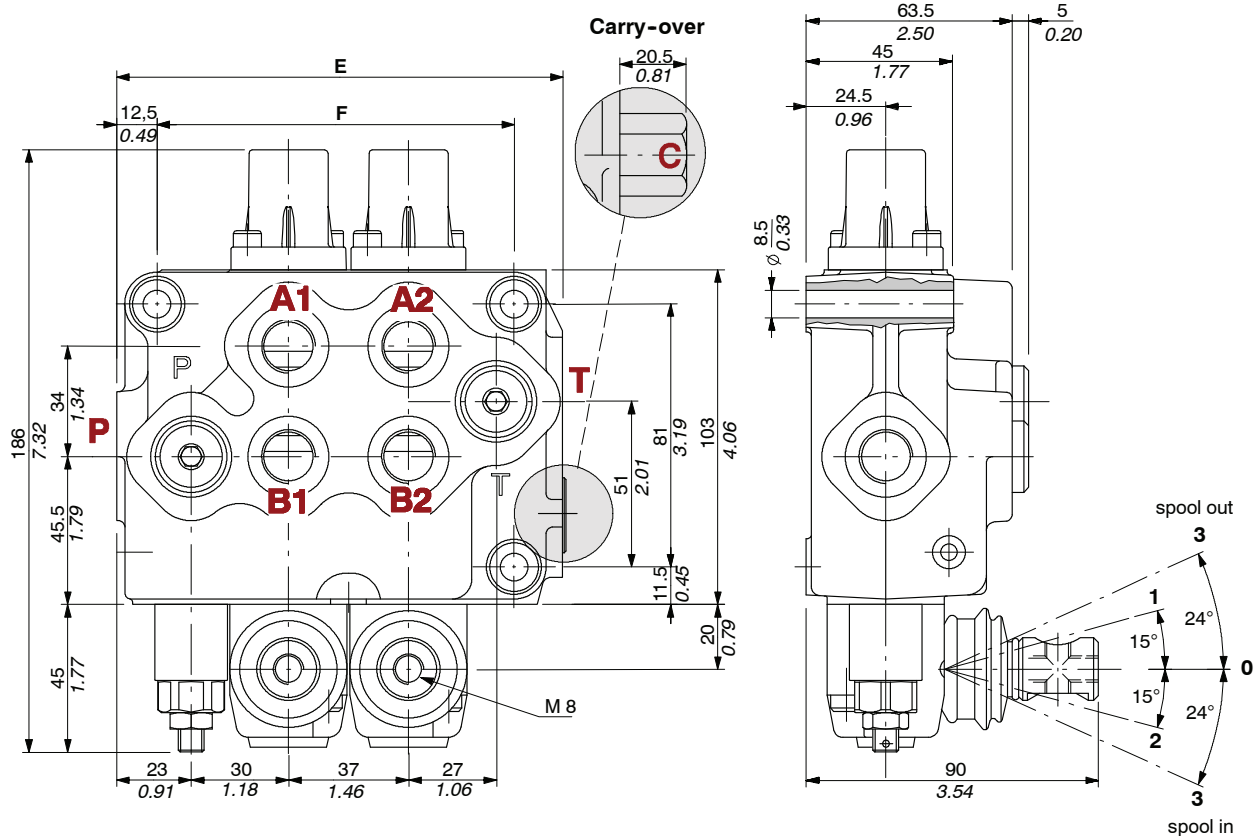
Available body kits *

CODE	DESCRIPTION
5KC1153040	SD5/2-S1
5KC1253003	SD5/3-S1
5KC12D3000	SD5/3-S1+1
5KC1283003	SD5/4-S1
5KC12E3000	SD5/4-S1+1+1
5KC1324033	SD5/5-S1
5KC1073001	SD5/5-S1+1+1+1
5KC13A3000	SD5/5-S2+1
5KC1363003	SD5/6-S1

Include body, seals and load check valves.

NOTE (*) - Codes are referred to **BSP** thread.

Performance data
Pressure drop P→T

**Pressure drop P→A(B)
on 6 sections directional valve**

**Pressure drop A(B)→T
on 6 sections directional valve**

**Pressure drop
between port A(B) before series
connection and port A(B) after**


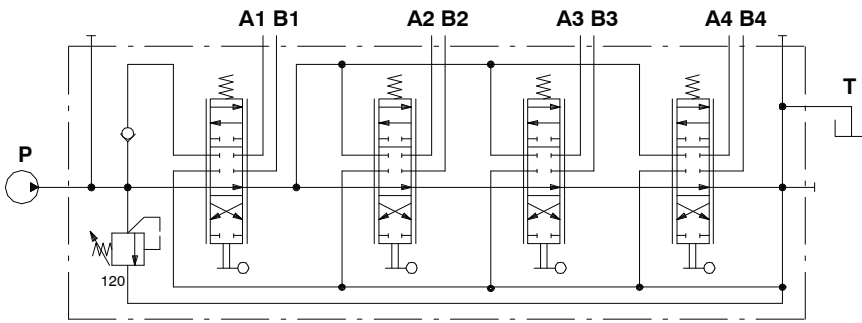
SD5-SP
directional valve with left inlet
Dimensional data


TYPE	E		F		Weight	
	mm	in	mm	in	kg	lb
SD5/2-SP1	137.5	5.41	110	4.33	4.8	10.6
SD5/3-SP2	174.5	6.87	147	5.79	6.7	14.8
SD5/4-SP3	211.5	8.33	184	7.24	8.1	17.6

TYPE	E		F		Weight	
	mm	in	mm	in	kg	lb
SD5/5-SP4	248.5	9.78	221	8.70	10.2	22.5
SD5/6-SP5	285.5	11.2	258	10.2	11.3	24.9
SD5/7-SP6	322.5	13.1	295	11.6	12.7	28

directional valve with left inlet
SD5-SP
Hydraulic circuit

The description of SD5 valve with tandem circuit is marked with letters "SP" and one figure which indicate the downstream sections from tandem connection.



Description example: SD5/4-**SP3**(JG3-120)/18L/18L/18L/18L/AET

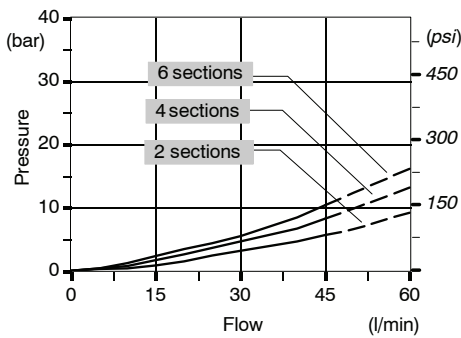
Code: 1024A0016 *

NOTE (*) - Codes are referred to **BSP** threads.

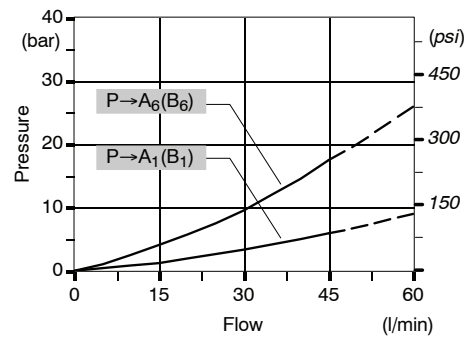
Available body kits *

CODE	DESCRIPTION
5KC1183000	SD5/2-SP1
5KC12G3000	SD5/3-SP2
5KC1303000	SD5/4-SP1
5KC12H3000	SD5/4-SP1+1
5KC12I3000	SD5/4-SP2+1
5KC1293000	SD5/4-SP3
5KC13D3000	SD5/5-SP2+2
5KC1343000	SD5/5-SP3+1
5KC1333000	SD5/5-SP4
5KC1393000	SD5/6-SP3+1
5KC13Y3000	SD5/6-SP3+2
5KC1373000	SD5/6-SP5
5KC13I3000	SD5/7-SP3+1
5KC13G3000	SD5/7-SP4
5KC13L3000	SD5/7-SP5+1
5KC13F3000	SD5/7-SP6

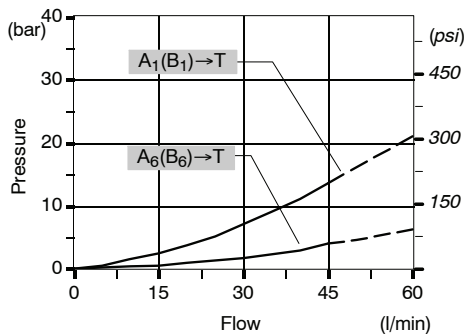
Include body, seals and load check valve.

Performance data
Pressure drop P→T

Pressure drop P→A(B)

on 6 sections directional valve


Pressure drop A(B)→T

on 6 sections directional valve



SD5



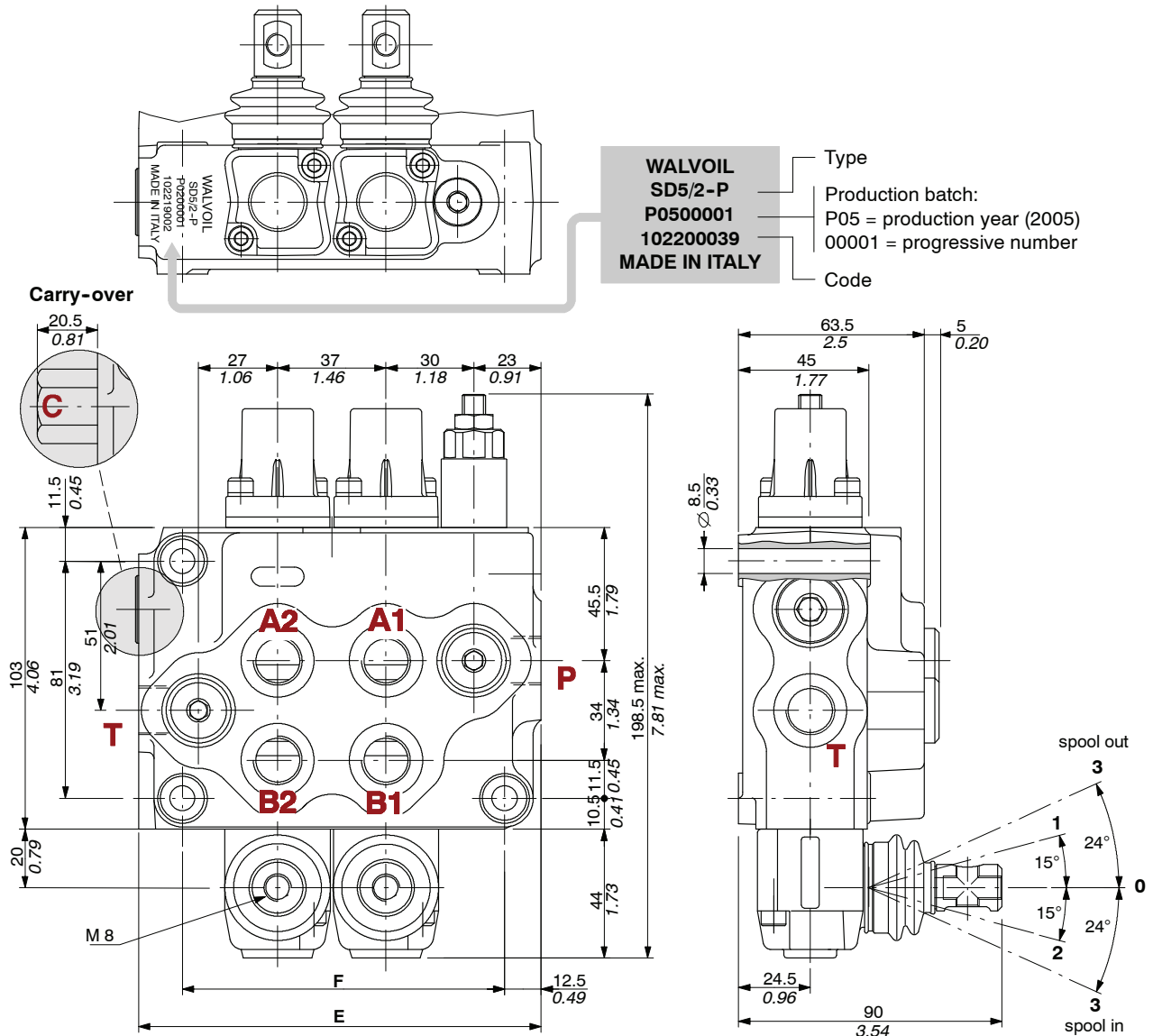


Directional valve with parallel circuit

Dimensional data 78
 Hydraulic circuit 79
 Ordering codes 80
 Inlet relief options 12
 Spools 82
 “A” side spool positioners 86
 “B” side options 39
 Complete controls 44
 Outlet port options 97
 Service and auxiliary valves
 ordering codes 100
 port relief valves 102
 flange mounted relief valves 103
 fixed setting antishock and anticavitation valves 104
 adjustable setting antishock and anticavitation valves 106
 flow control valves 110

Other executions

Main features 113
 Directional valve SD5/1-N 114
 Directional valve SD5/1-D 115
 Directional valve SD5-S with series circuit 116
 Directional valve SD5-SP with tandem circuit 118
 Directional valve SDM105 eith flow control 120

SD5
directional valve with right inlet
Dimensional data (parallel circuit)


TYPE	E		F		Weight	
	mm	in	mm	in	kg	lb
SD5/1-P	100.5	3.96	73	2.87	3.5	7.7
SD5/2-P	137.5	5.41	110	4.33	5.2	11.5
SD5/3-P	174.5	6.87	147	5.79	6.9	15.2
SD5/4-P	211.5	8.33	184	7.24	8.1	17.9

TYPE	E		F		Weight	
	mm	in	mm	in	kg	lb
SD5/5-P	248.5	9.78	221	8.70	10.1	22.3
SD5/6-P	285.5	11.24	258	10.16	11.7	25.8
SD5/7-P	322.5	12.70	295	11.61	13.2	29.1

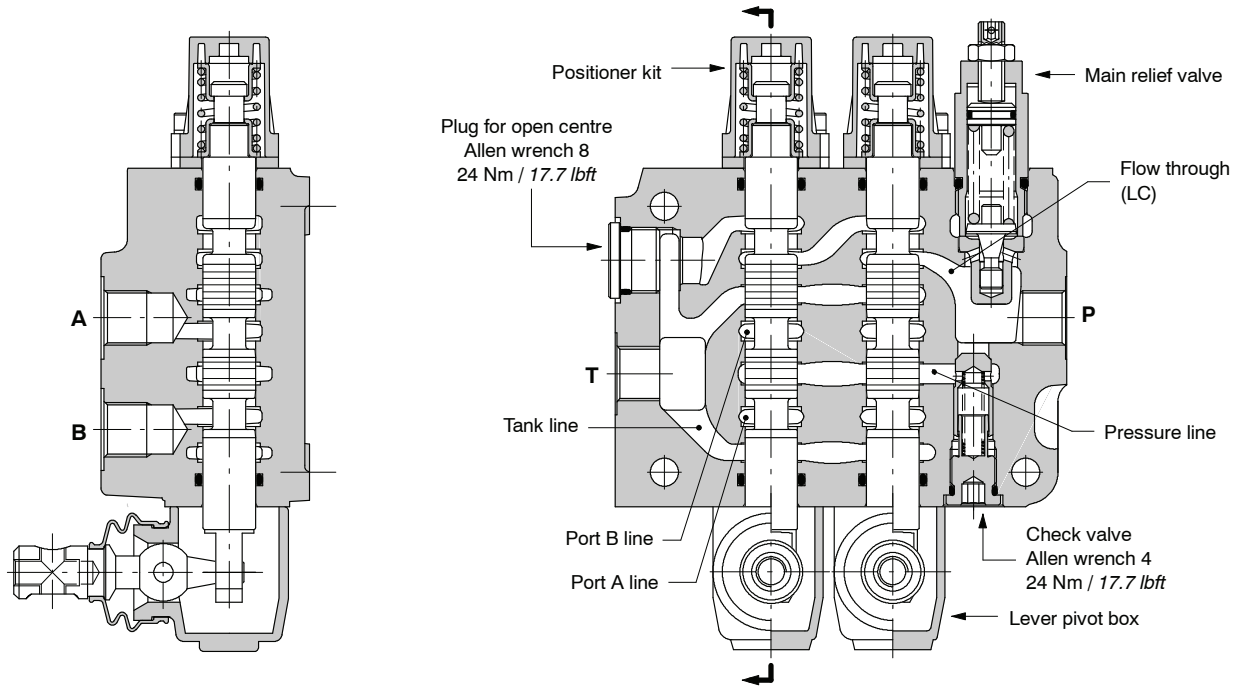
directional valve with right inlet

SD5

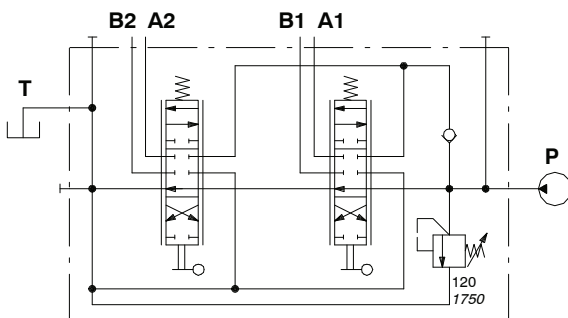
Hydraulic circuit

Parallel

Standard configuration with side inlet and outlet and open centre (AET execution).

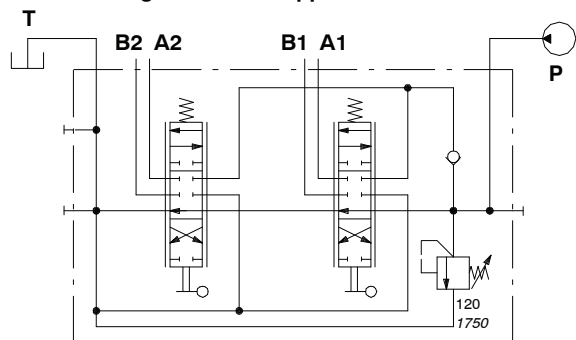


Standard configuration

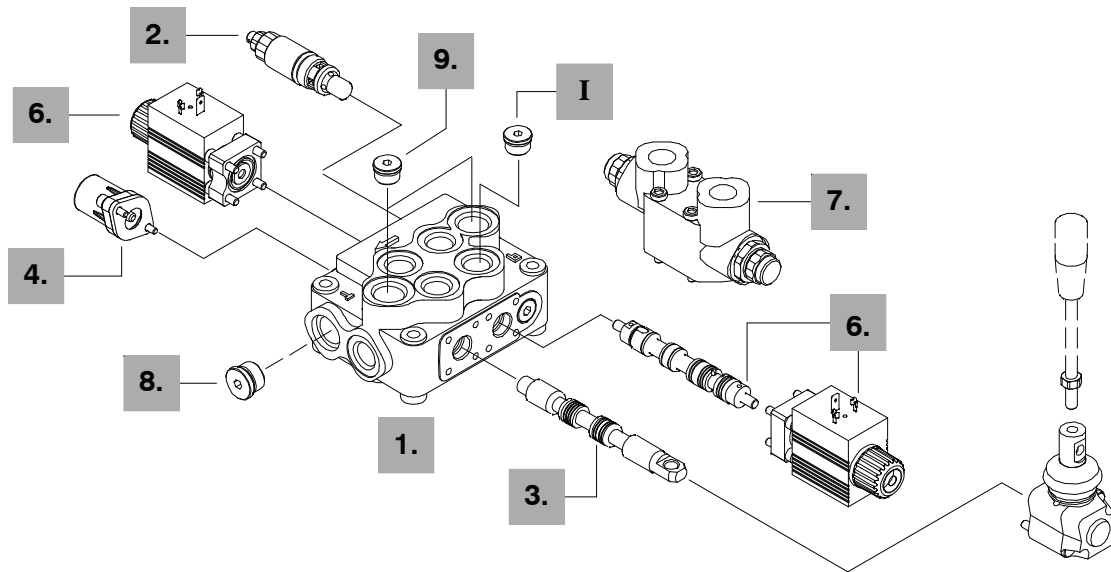
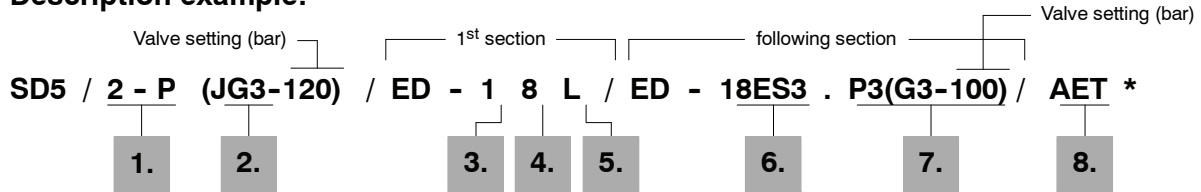


Description example:
SD5/2-P(JG3-120)/ED-18L/ED-18L/AET

Configuration with upper inlet and outlet



Description example:
SD5/2-P(JG3-120)/ED-18L/ED-18L/AET-PSA

SD5
directional valve with right inlet
Ordering codes
Description example:

1. Body kit *

TYPE	CODE	DESCRIPTION
1-P	5KC1193000	Parallel, 1 section
2-P	5KC1223000	Parallel, 2 sections
3-P	5KC1243000	Parallel, 3 sections
4-P	5KC1273000	Parallel, 4 sections
5-P	5KC1313000	Parallel, 5 sections
6-P	5KC1353000	Parallel, 6 sections
7-P	5KC13E3000	Parallel, 7 sections

Include body, seals and load check valve.

2. Inlet relief options page 12

TYPE	CODE	DESCRIPTION
<u>VMD5 direct pressure relief valve type J</u>		
Standard setting is referred to 10 l/min flow.		
(JG2-63)	5KIT105412	Range 40 to 63 bar / 580 to 900 psi standard setting 63 bar / 900 psi
(JG3-120)	5KIT105413	Range 50 to 200 bar / 725 to 2900 psi standard setting 120 bar / 1750 psi
(JG4-220)	5KIT105414	Range 160 to 315 bar / 2300 to 4600 psi standard setting 220 bar / 3200 psi
SV	XTAP623282	Relief valve blanking plug

3. Spool options page 82

TIPO	CODICE	DESCRIZIONE
ED-1	3CU1210730	Double acting, 3 positions, with A and B closed in neutral position
ED-1B	3CU1222700	Double acting, 3 positions, with B open to tank in neutral position
ED-2	3CU1225730	Double acting, 3 positions, with A and B open to tank in neutral position
ED-2H	3CU1225790	Double acting, 3 positions, with A e B partially open to tank in neutral position
ED-4	3CU1235700	Single acting on B, 3 positions, A plugged requires G3/8 plug (see part I)

Special spools for particular positioner kits page 84

ED-5PY 3CU1245700 Double acting, 4 positions, floating circuit in 4th position with spool out, with check valve

Special spools for standard positioner kits page 85

ED-8F 3CU1261700 Double acting, 3 positions, regenerative circuit in 2nd position with spool out

NOTE (*) - Codes are referred to **BSP** threads.

4. "A" side spool positioners *page 86*

TYPE	CODE	DESCRIPTION
8	5V08104000	With spring return in neutral position
8D	5V08104200	With spring return in neutral position and pin with M6 female thread for dual control
8D2	5V08104220	With spring return in neutral position and pin with M8 male thread for dual control
8F2	5V08104101	With spring return in neutral position and adjustable flow limiter
19	5V19104000	2 positions, with spring return in neutral position from position 1
20	5V19104000	2 positions, with spring return in neutral position from position 2
9	5V09104010	With detent in position 1 and spring return in neutral position
10	5V10104011	With detent in position 2 and spring return in neutral position
11	5V11104000	Detent in positions neutral, 1 and 2
12	5V12104000	Detent in positions 1 and 2
15	5V15104000	2 positions, detent in positions 1 and neutral
16	5V16104000	2 positions, detent in positions 2 and neutral
9BZ	5V09204010	With detent in position 1 and spring return in neutral position
10BZ	5V10204010	With detent in position 2 and spring return in neutral position
11BZ	5V11204010	Detent in positions 1 and 2 and spring return in neutral position
8MG3	5V08104660	With spring return in neutral position and microswitch in positions 1 and 2
8P	5V08104701	ON/OFF pneumatic kit
8EP3	5V08104735	ON/OFF 12 VDC electro-pneumatic kit
	5V08104740	ON/OFF 24 VDC electro-pneumatic kit
8ED3	5V08104350	ON/OFF 12 VDC electro-hydraulic kit
	5V08104351	ON/OFF 24 VDC electro-hydraulic kit
<i>Particular positioner kits for special spools page 96</i>		
13QN	5V13404020	4 pos. with spring return in neutral pos. and detent in 4 th pos.: for spool 5PY

I "A" and "B" ports plugs *

TYPE	CODE	DESCRIPTION
G3/8	3XTAP722160	for single acting spool type 3

5. "B" side options *page 39*

TYPE	CODE	DESCRIPTION
L	5LEV105000	Standard lever box
LM10	5LEV205000	Lever box for M10 handlever
LF1	5LEV105102	Lever box with adjustable flow limiter
LEB	5LEV605000	Safety lever box, vertical configuration
LUP	5LEV805005	Safety lever box, horizontal configuration
SLP	5COP105000	Without lever box, with dust-proof plate
SLC	5COP205000	Without lever box, with endcap
TQ	5TEL105110	Flexible cable connection
LCB	5CLO205100	Joystick lever for 2 sections operation

6. Complete controls *page 44*

Proportional hydraulic control type **8IM** and ON/OFF solenoid control type **8ES**.

7. Aux. and service valves *page 100*

Port relief, anti-shock, pilot operated check and flow regulation valves.

8. Outlet port options *page 97*

TYPE	CODE	DESCRIPTION
AET	XTAP623170	Open centre plug
AEK	3XTAP522282	Closed centre plug
AE	3XGIU522460*	G3/8 carry-over sleeve
AET-L	XCAR405300	With hydraulic pilot unloader valve
AET-LT	XTAP523370	Unloader valve blanking plug

Electric control unloader valve: for valves and coils list see page 98.

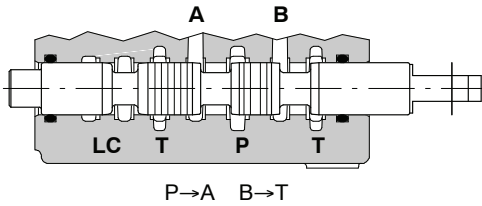
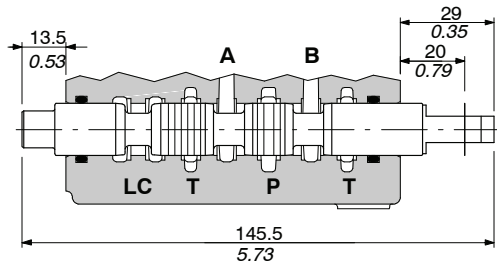
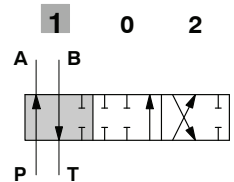
9. Inlet and outlet selection * *page 79*

TYPE	CODE	DESCRIPTION
PSL	3XTAP722160	Side ports; need n.2 G 3/8 plugs, standard configuration (omit in valve description)
PSA	3XTAP722160	Upper ports; need n.2 G 3/8 plugs

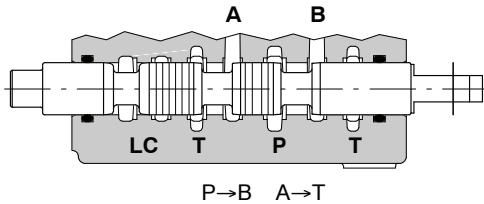
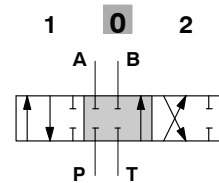
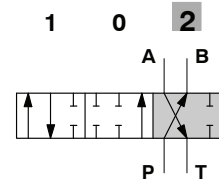
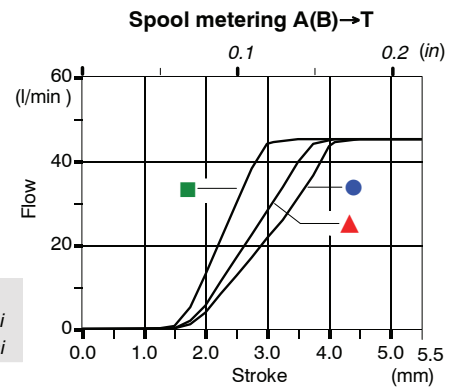
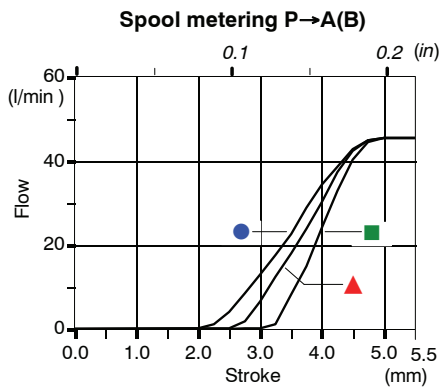
II Optional handlevers

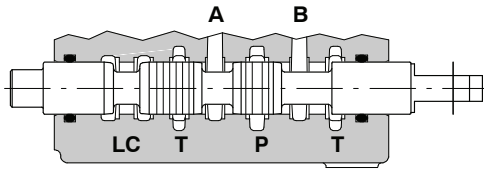
TYPE	CODE	DESCRIPTION
AL01/M8x120	170011012	For lever L: height 120 mm / 4.72 in
AL01/M10x150	170012015	For lever LM10: height 150 mm / 5.91 in
AL08/M12x150	170013115	For joystick LCB: height 150 mm / 5.91 in

SD5
directional valve with right inlet
Spool options
Tipo ED-1

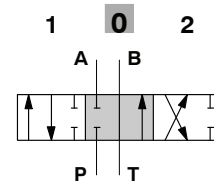
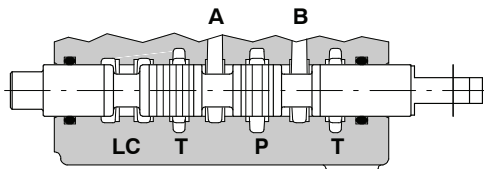
 For special requirement, spool 1CEX code **3CU1210780** suggested for flow up to 15 l/min

 stroke:
 + 5.5 mm / 0.22 in


P-A-B-T closed, with flow through line (LC) open

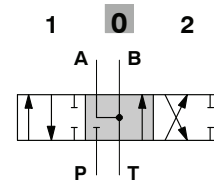
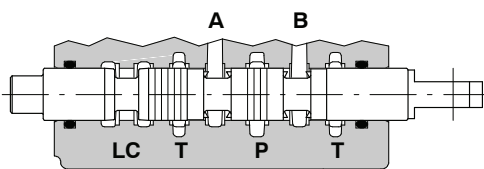

 stroke:
 - 5.5 mm / 0.22 in

Performance data


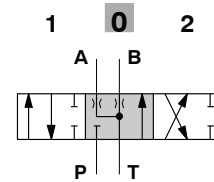
directional valve with right inlet
SD5
Spool options
Type ED-1B


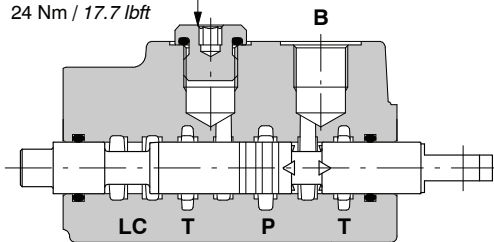
P-A closed, B→T, flow through line (LC) open

 + 5,5 mm / 0.22 in
 (1) ▶
 ◀▶ (0)
 ◀ (2)
 - 5,5 mm / 0.22 in

Type ED-2


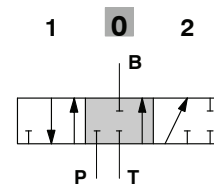
P closed, A-B→T, flow through line (LC) open

 + 5,5 mm / 0.22 in
 (1) ▶
 ◀▶ (0)
 ◀ (2)
 - 5,5 mm / 0.22 in

Type ED-2H

 P closed, A-B partially open to tank,
 flow through line (LC) open

 + 5,5 mm / 0.22 in
 (1) ▶
 ◀▶ (0)
 ◀ (2)
 - 5,5 mm / 0.22 in

Type ED-4

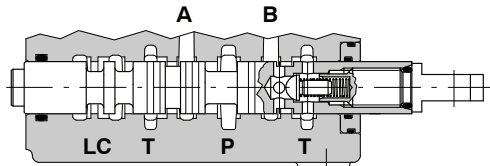
 Port A closed
 Allen wrench 6
 24 Nm / 17.7 lbft


P-A-T closed, flow through line (LC) open

 + 5,5 mm / 0.22 in
 (1) ▶
 ◀▶ (0)
 ◀ (2)
 - 5,5 mm / 0.22 in


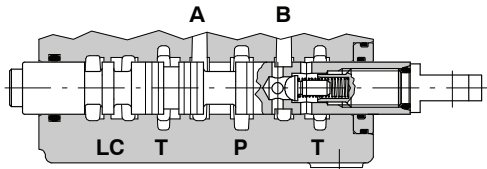
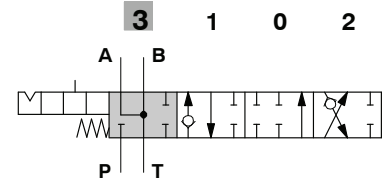
SD5
directional valve with right inlet
Spool options
Tipo ED-5PY

It needs special body with extra machining: for information please contact Sales Department.
 This spool must be coupled with positioner type **13QN** (see page 96).



A-B→T (floating detent)

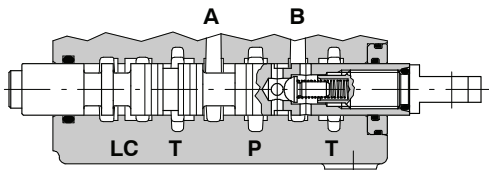
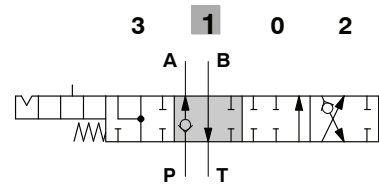
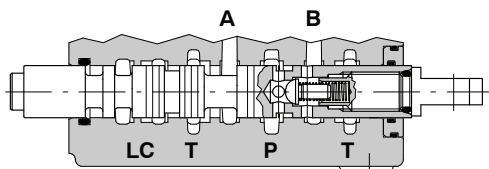
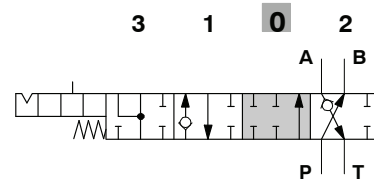
stroke:
+ 9 mm / 0.35 in



P→A , B→T

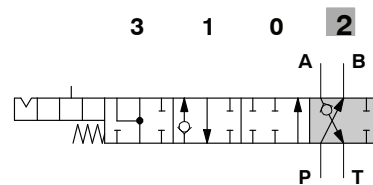
corsa + 9 mm

stroke:
+ 4.5 mm / 0.18 in

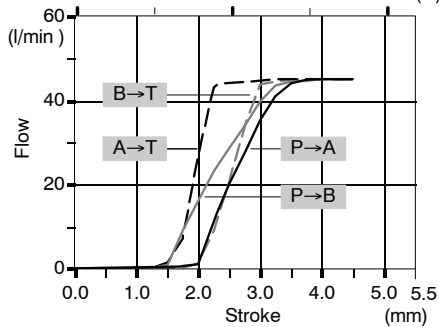
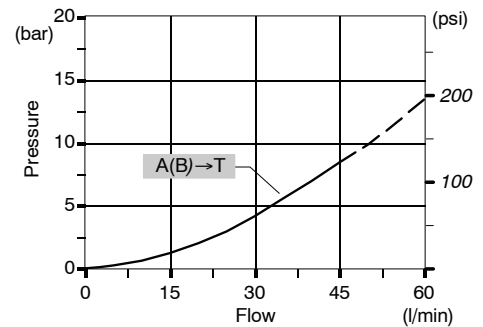

 P-A-B-T closed,
with flow through line (LC) open


P→B , A→T

stroke:
+ 4.5 mm / 0.18 in


Performance data
Spool metering

$Q_{in} = 45 \text{ l/min} / P_{(on ports)} = 100 \text{ bar} - 1450 \text{ psi}$
 0.1 0.2 (in)


Pressure drop in position 3
 (last section)


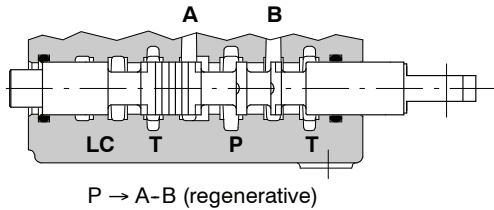
directional valve with right inlet

SD5

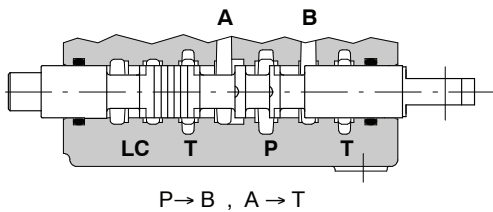
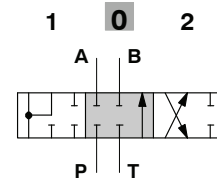
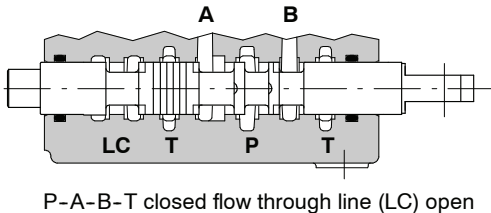
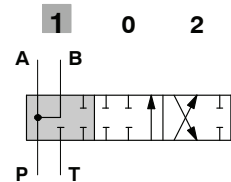
Spool options

Type ED-8F

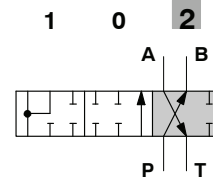
It needs special body with extra machining: for information please contact Sales Department.



▶
stroke:
+ 5.5 mm / 0.22 in



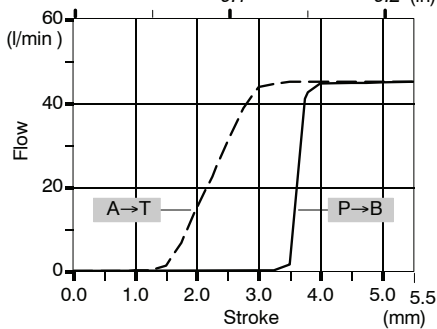
◀
stroke:
- 5.5 mm / 0.22 in



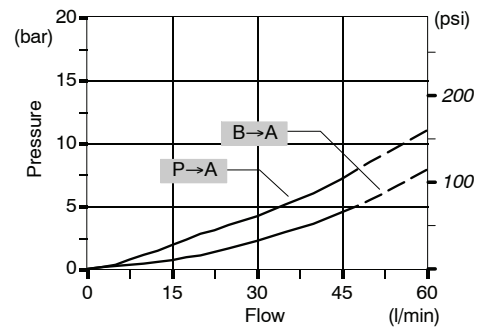
Performance data

Spool metering

$Q_{in} = 45 \text{ l/min} / P_{(on ports)} = 100 \text{ bar} - 1450 \text{ psi}$

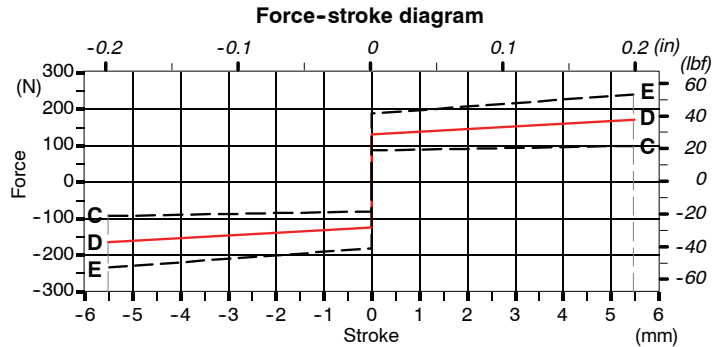
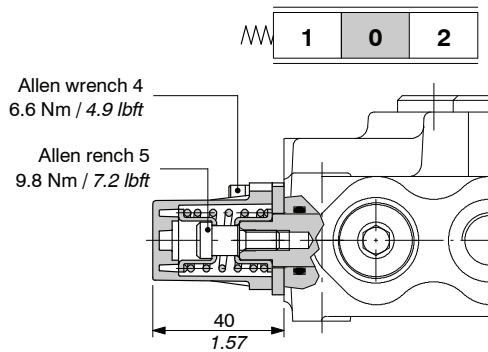


**Pressure drop in position 1
(in first section)**

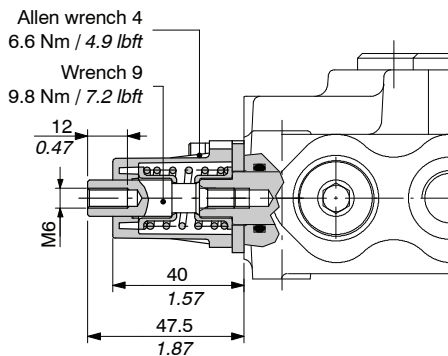
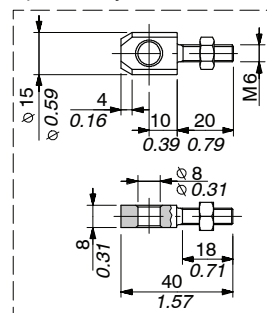
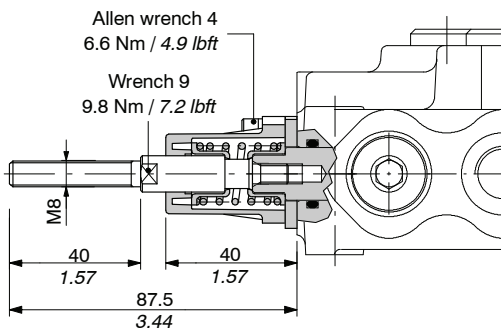


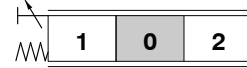
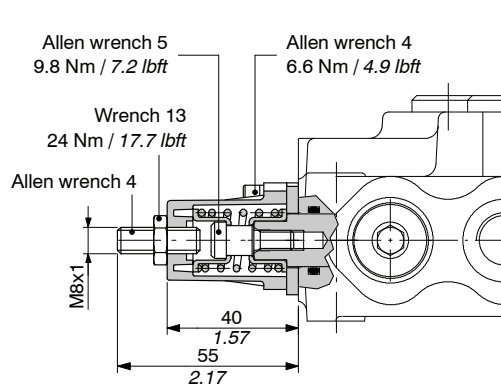
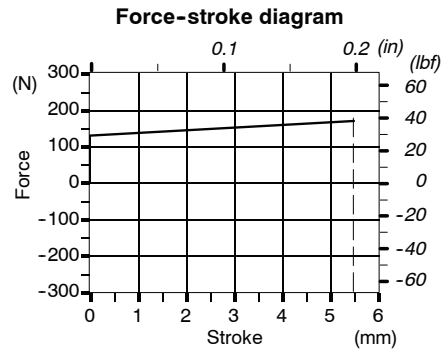
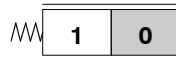
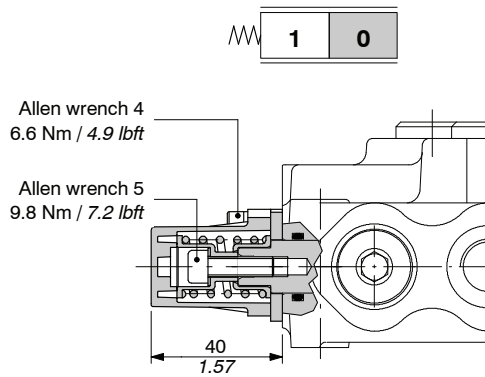
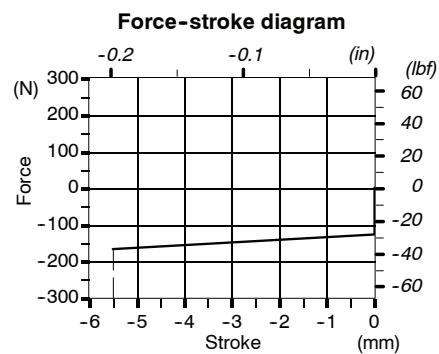
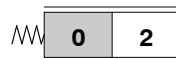
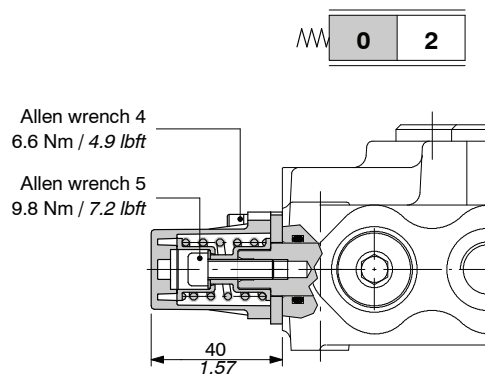
SD5
directional valve with right inlet
"A" side spool positioners
With spring return in neutral position
8 kit

It's supplied with standard spring type D (see force-stroke diagram) and available with lighter spring type C (8MC code: **5V08204000**) or heavier type E (8ME code: **5V08404000**).


8D kit

Spool end joint code **XPER315400**, is available on request in order to screw onto pin.


Spool end joint dimensions

8D2 kit


directional valve with right inlet
SD5
"A" side spool positioners
With spring return in neutral position
8F2 kit

19 kit

20 kit


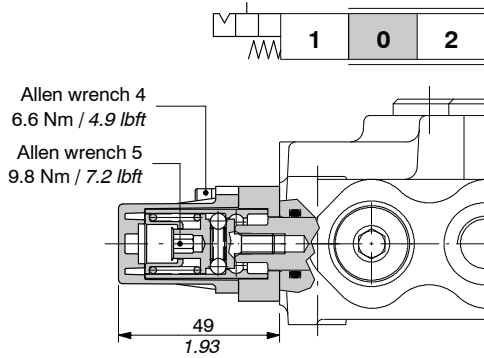
SD5

directional valve with right inlet

"A" side spool positioners

With detent

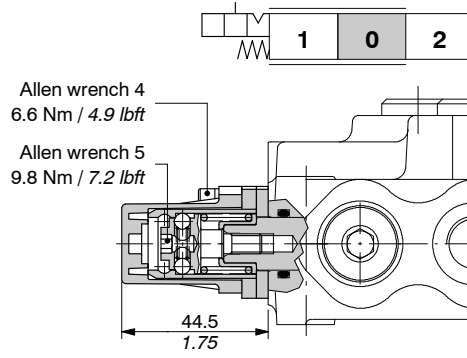
9 kit



Operating features

Locking force (from pos. 0 to 1) . . . : 150 N / 33.7 lbf ±10%
Release force (from pos. 1 to 0) . . . : 140 N / 31.5 lbf ±10%

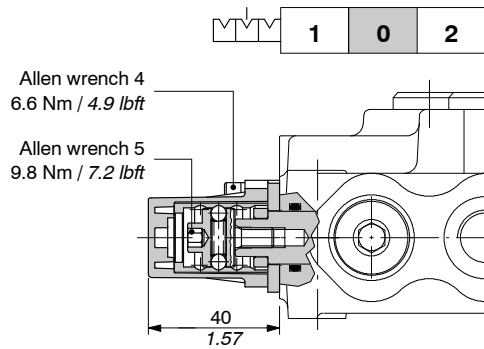
10 kit



Operating features

Locking force (from pos. 0 to 2) . . . : 150 N / 33.7 lbf ±10%
Release (from pos. 2 to 0) : 140 N / 31.5 lbf ±10%

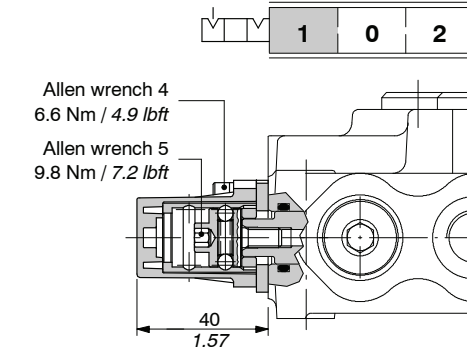
11 kit



Operating features

Locking and release force : 120 N / 27 lbf ±10%

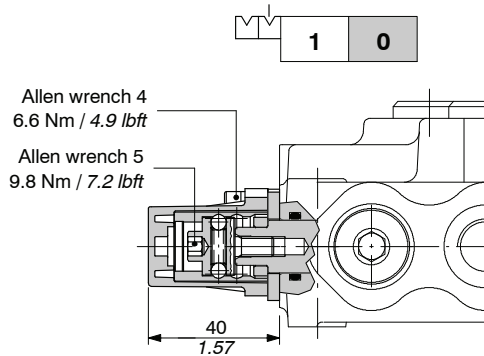
12 kit



Operating features

Locking and release force : 100 N / 22.5 lbf ±10%

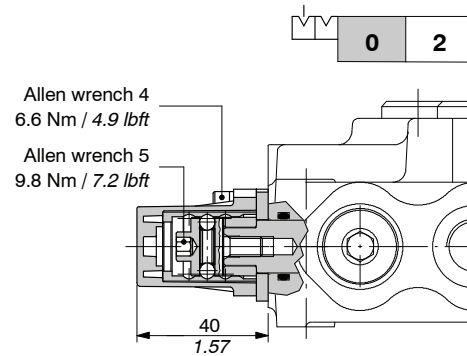
15 kit



Operating features

Locking and release force : 100 N / 22.5 lbf ±10%

16 kit



Operating features

Locking and release force : 100 N / 22.5 lbf ±10%

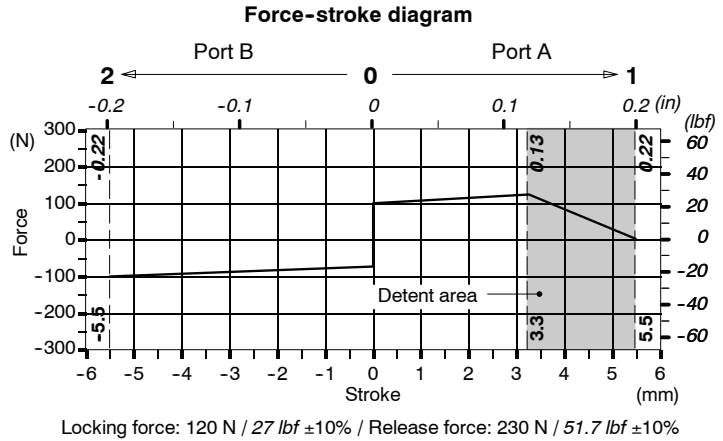
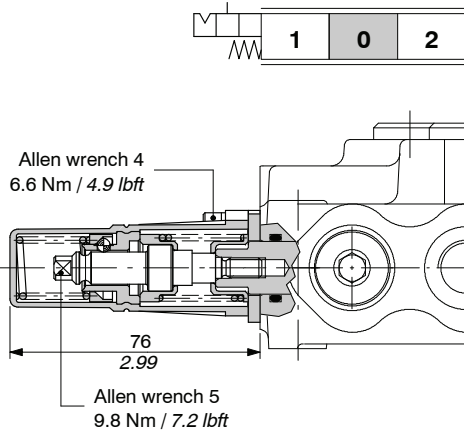
directional valve with right inlet

SD5

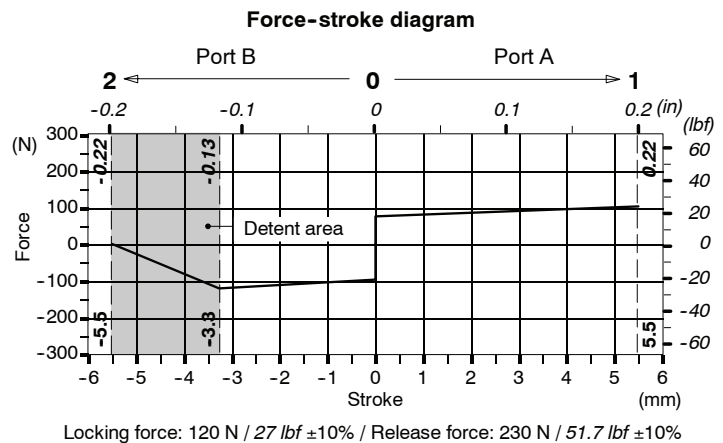
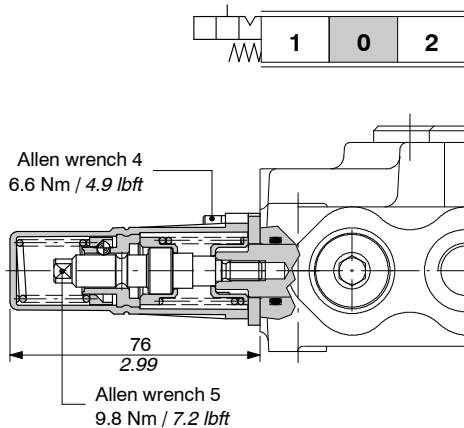
"A" side spool positioners

With detent and spring return to neutral position from either directions

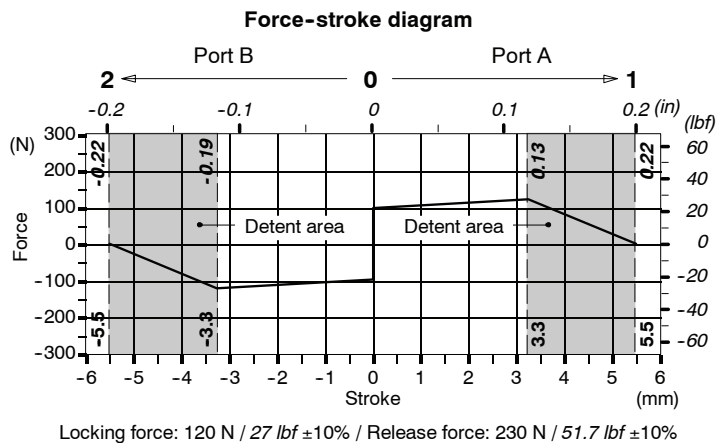
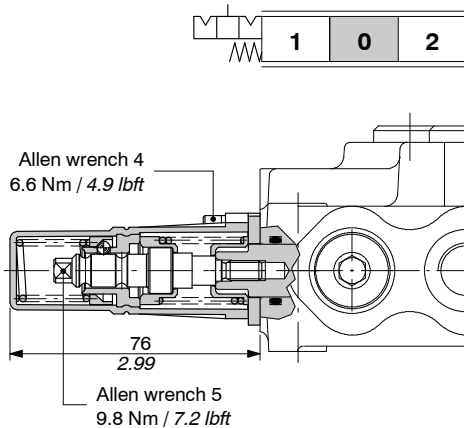
9BZ kit



10BZ kit



11BZ kit

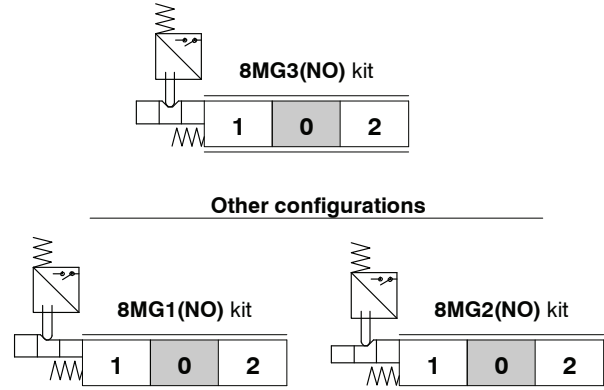
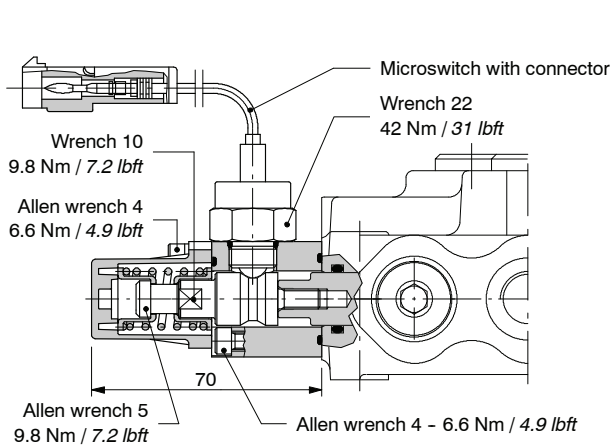


SD5
directional valve with right inlet
"A" side spool positioners
With microswitch type 8MG3(NO)

With spring return in neutral position and microswitch operated in both directions.

Also available **8MG1(NO)** configuration (microswitch operated in position 1) and **8MG2(NO)** configuration (microswitch operated in position 2); dimensions are the same of 8MG3 configuration.

Same configurations are available on request with normally closed (NC) contact.


COMPLETE CONTROLS CODE

Contact	CONTROL TYPE			Need connector type
	8MG3	8MG2	8MG1	
NO	5V08104660	5V08104680	5V08104670	C07 see page 129

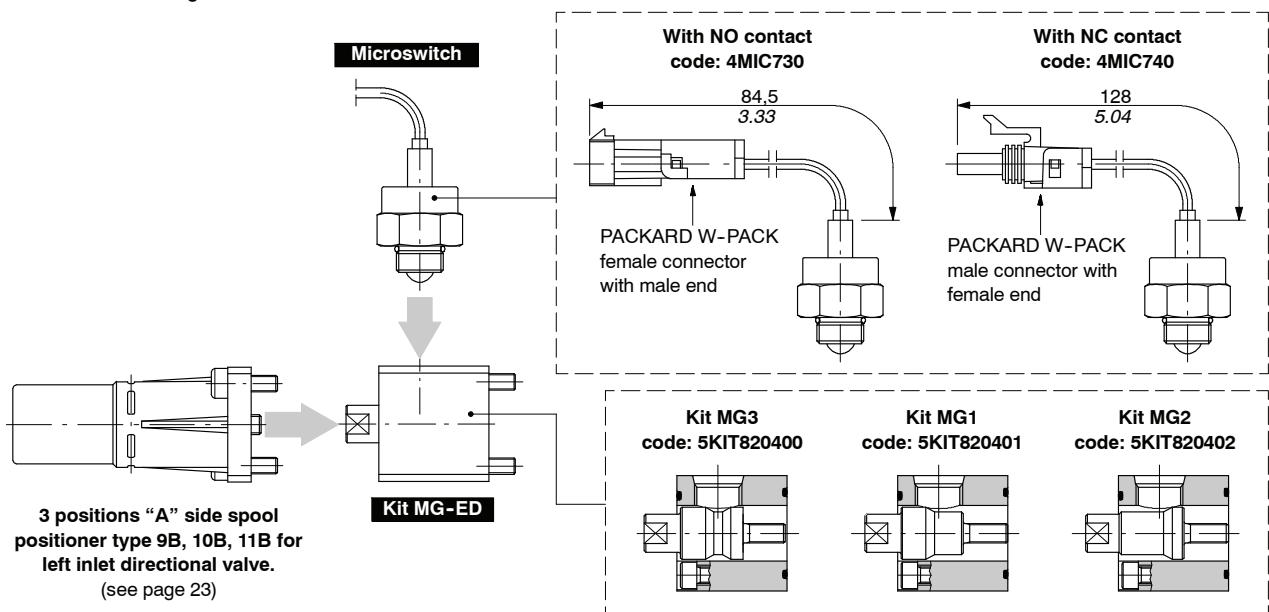
Operating features
MICROSWITCH

Mechanical life : 5x10⁵ operations

Electrical life (resistive load) : 10⁵ oper. - 7A / 13.5VDC
 : 5x10⁴ oper - 10A / 12VDC
 : 5x10⁴ per - 3A / 28VDC

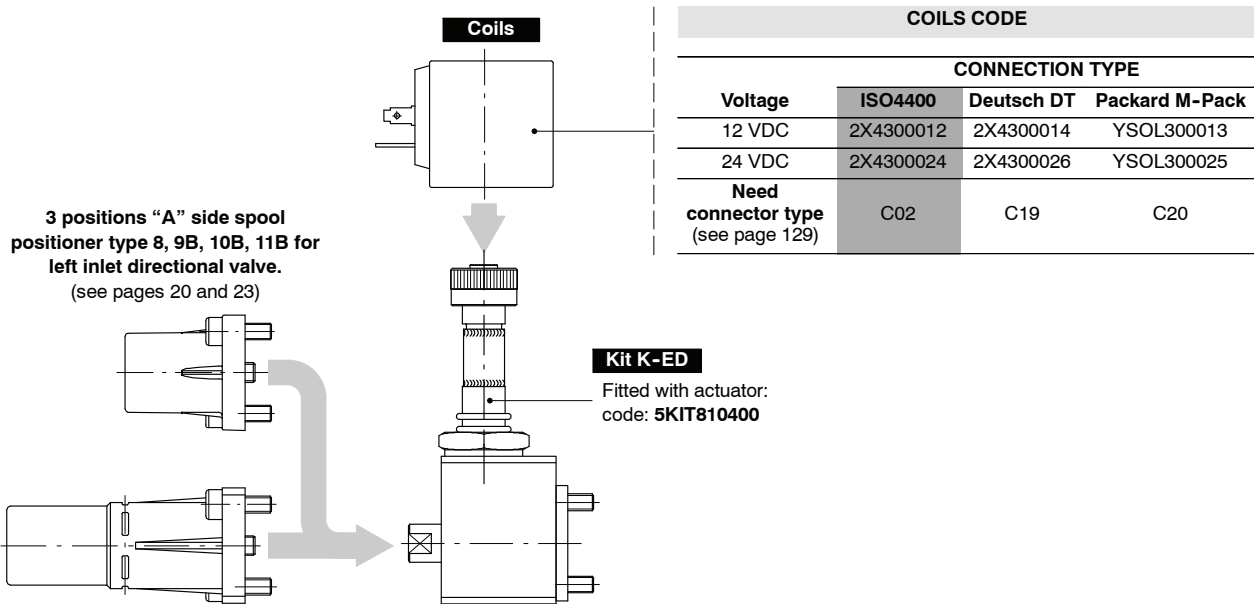
More configurations and spare parts

It's possible to obtain further configurations of complete control, using the MG kit, microswitches and 3 positions "A" side spool positioner, as following draw.



Solenoid lock device

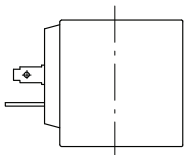
It's possible to obtain further configurations of complete control, using the kit K-ED (for right inlet directional valve), coils and 3 positions “A” side spool positioner for left inlet directional valve, as following draw: for information contact Sales Department.


Operating features
ACTUATOR

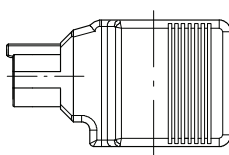
Lock stroke : 3.5 mm / 0.14 in

COIL

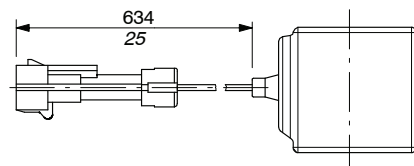
Depending on model: see following features

Coil with ISO4400 connector


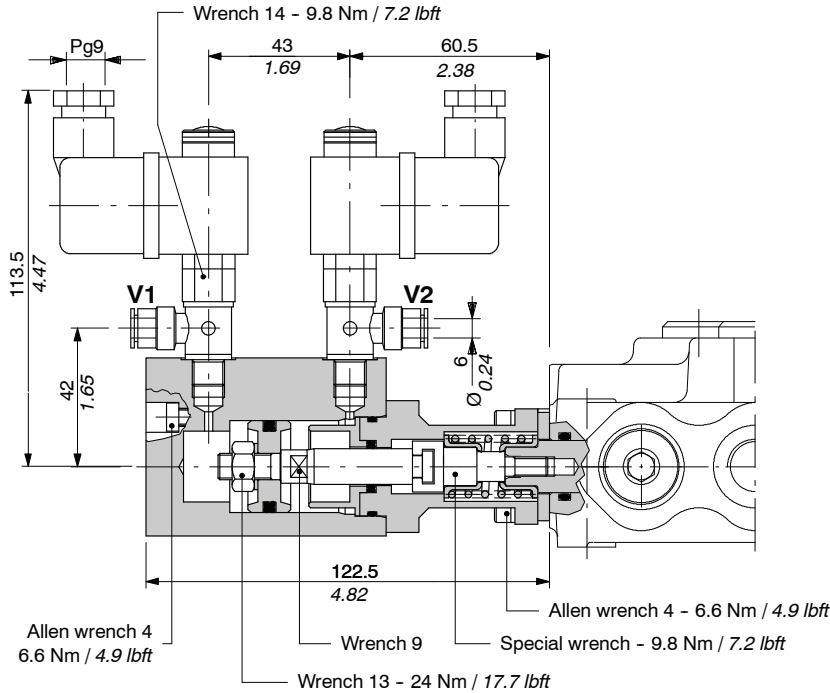
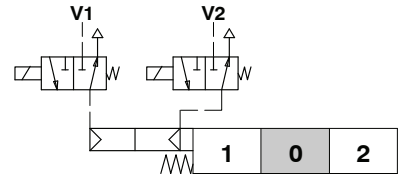
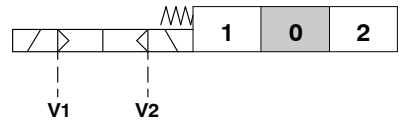
Nom. voltage tolerance . . : ±10%
 Power rating : 18 W
 Nominal current : 1.58 A - 12 VDC
 : 0.81 A - 24VDC
 Coil insulance : Class F
 Weather protection : IP65
 Duty cycle : 100%

Coil with Deutsch DT connector


Nom. voltage tolerance . . : ±10%
 Power rating : 22 W
 Nominal current : 1.9 A - 12 VDC
 : 0.95 A - 24VDC
 Coil insulance : Class H
 Weather protection : IP65
 Duty cycle : 100%

Coil with Packard M-Pack connector


Nom. voltage tolerance . . : ±10%
 Power rating : 18 W
 Nominal current : 1.58 A - 12 VDC
 : 0.81 A - 24VDC
 Coil insulance : Class F
 Weather protection : IP65
 Duty cycle : 100%

SD5
directional valve with right inlet
“A” side spool positioners
ON/OFF electropneumatic kit type 8EP3

Scheme

Scheme ISO 1219

COMPLETE CONTROL CODES

Voltage	CONNECTION TYPE	
	ISO6952	Flying leads
	CONTROL TYPE	
	8EP3	8EP35
12 VDC	5V08104735	5V08104736
24 VDC	5V08104740	5V08104741
Need connector type (see page 129)	C01 (included)	/

COIL CODES

Voltage	CONNECTION TYPE	
	ISO6952	Flying leads*
12 VDC	2X4000013	2XB1000120000
24 VDC	2X4000025	2XB1000240000

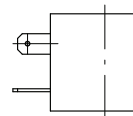
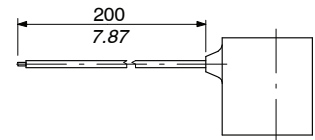
* Several type of connectors can be wired on request

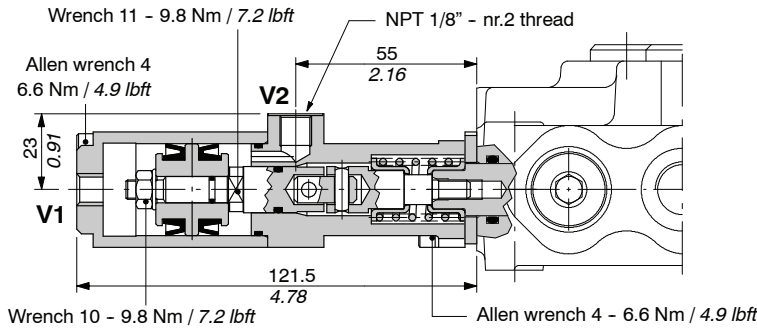
Operating features
CONTROL

Pilot pressure : 6 bar / 87 psi
 : (max.10 bar / 145 psi)

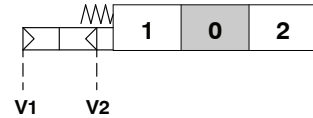
COIL

Nominal voltage tolerance : ±10%
 Power rating : 8 W
 Nominal current : 0,67 A - 12 VDC
 : 0,33 A - 24VDC
 Coil insulation : Class F
 Weather protection : IP65
 Duty cycle : 100%

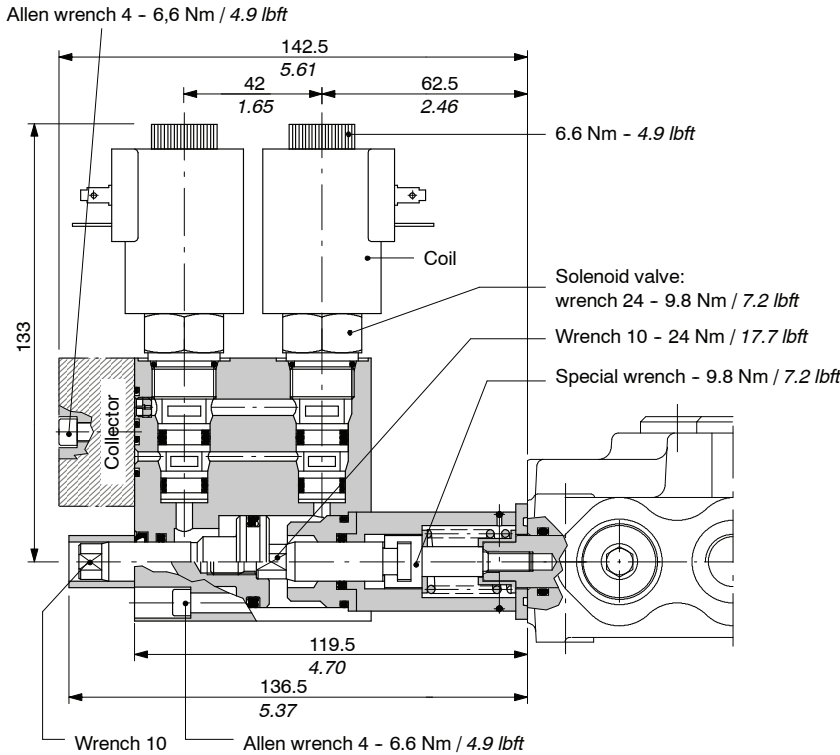
Coil with ISO6952 connector

Coil with flying leads


directional valve with right inlet
SD5
“A” side spool positioners
ON/OFF pneumatic kit type 8P


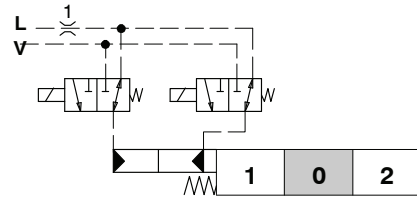
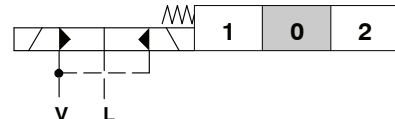
With spring return to neutral position.


Operating features

 Pilot pressure : min. 5.5 bar / 80 psi
 : max. 10 bar / 145 psi

ON/OFF electrohydraulic kit type 8ED3


With external pilot and drain.

Scheme

Scheme ISO 1219

COMPLETE CONTROL CODES

	CONNECTION TYPE			
	ISO4400	AMP JPT		Deutsch DT
without diodo		with diodo		
	CONTROL TYPE			
Voltage	8ED3	8ED32	8ED32D	8ED34
12 VDC	5V080104350	5V08104250	5V08104280	5V08104450
24 VDC	5V08104351	5V08104251	5V08104281	5V08104451
Need connector type (see page 129))	C02	C08	C08	C19

Operating features
CONTROL

 Pilot pressure : min. 10 bar / 145 psi
 : max. 50 bar / 725 psi
 Max backpressure on drain L . . . : 25 bar / 360 psi

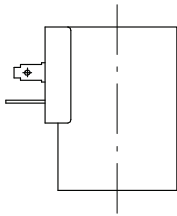
COIL

 Nominal voltage tolerance : ±10%
 Power rating : 21 W
 Nominal current : 1.75 A - 12 VDC
 : 0.87 A - 24VDC
 Coil insulation : Class F
 Weather protection : IP65
 Duty cycle : 100%

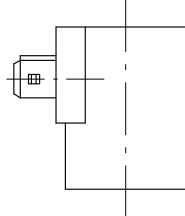
SD5
directional valve with right inlet
“A” side spool positioners
ON/OFF electrohydraulic kit type 8ED3
COIL CODES

Voltage	CONNECTION TYPE			
	ISO4400	AMP JPT		Deutsch DT
		without diodo	with diodo	
12 VDC	2XB1400121100	2XB1400121200	2XB1400121210	2XB1400120400
24 VDC	2XB1400241100	2XB1400241200	2XB1400241210	2XB1400240400

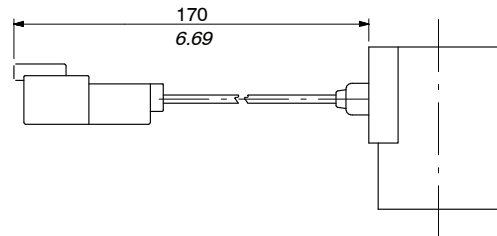
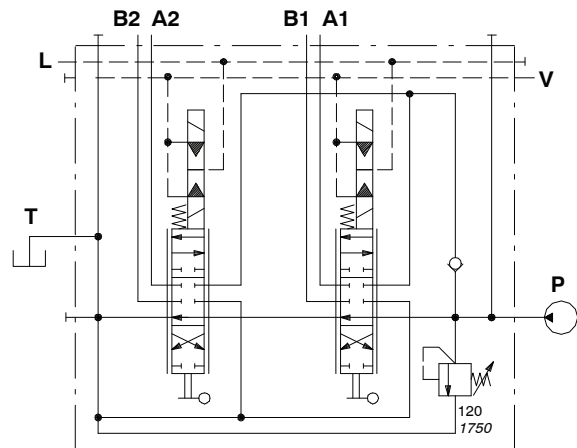
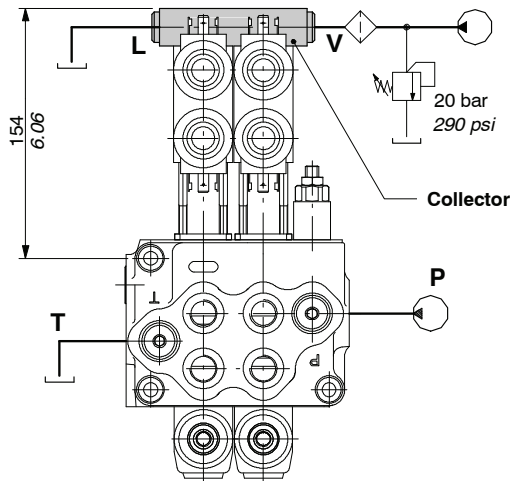
Coil with ISO4400 connection



Coil with AMP JPT connection



Coil with Deutsch DT connection


Collector kit for external pilot and drain


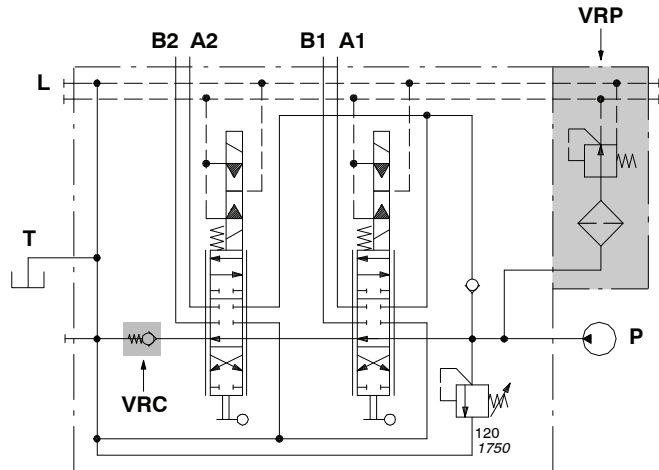
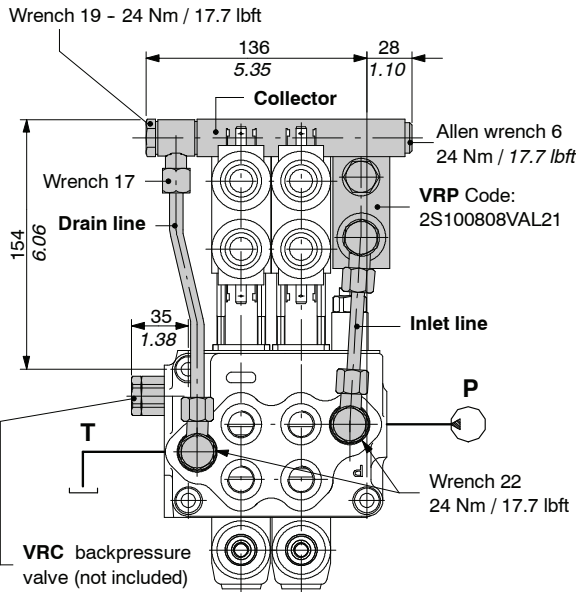
Description example:
 SD5/2-P(JG3-120)/ED-18ED3L/ED-18ED3L/AET-
 KE2S0-24VDC

COLLECTOR KIT CODES

Type	Code *	Description
KE1S0	5KE1S00030	Kit one section
KE2S0	5KE2S00230	Kit for 2 sections
KE3S0	5KE3S00230	Kit for 3 sections
KE4S0	5KE4S00230	Kit for 4 sections
KE5S0	5KE5S00230	Kit for 5 sections
KE6S0	5KE6S00230	Kit for 6 sections

(*) codes are referred to BSP thread

directional valve with right inlet
SD5
“A” side spool positioners
ON/OFF electrohydraulic kit type 8ED3
Collector kit with pilot and drain lines

 The kit is made of collector, **VRP** pressure reducing valve and pipes.


Description example:

 SD5/2-P(JG3-120)/ED-18ED3L/ED-18ED3L/
 VRC-KE2R3-24VDC

Operating features
VRP VALVE

 Output pressure : 20 bar / 290 psi
 Max flow : 8 l/min
 Filtering : 80 μ

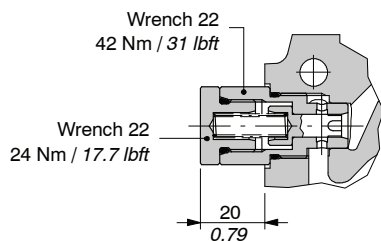
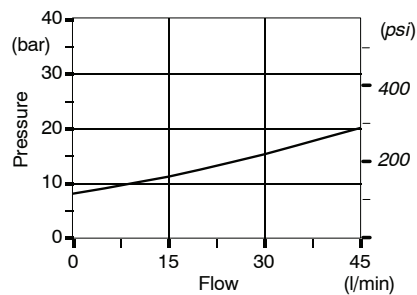
COLLECTOR KIT CODES

Tipo	Code *	Description
KE1R0	5KE1R30230	Kit one section
KE2R0	5KE2R30230	Kit for 2 sections
KE3R0	5KE3R30230	Kit for 3 sections
KE4R0	5KE4R30230	Kit for 4 sections
KE5R0	5KE5R30230	Kit for 5 sections
KE6R0	5KE6R30230	Kit for 6 sections

(*) Codes are referred to BSP thread

VRC valve: code X003600010

Valve assembled on flow through passage provides pilot pressure to the actuator.


Pressure drop P→T


SD5

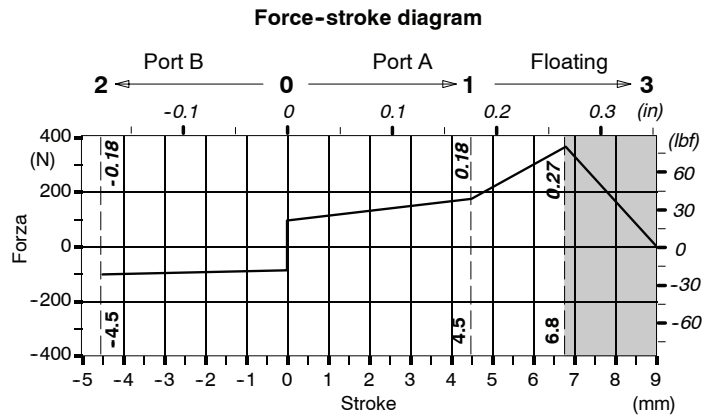
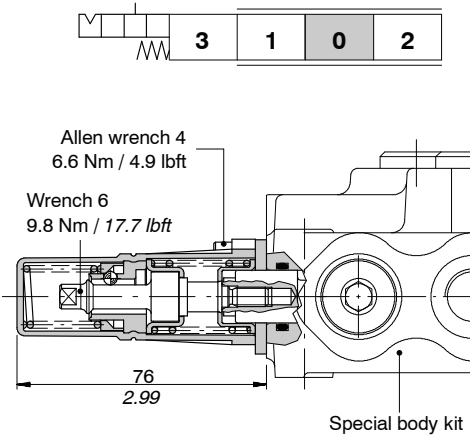
directional valve with right inlet

“A” side spool positioners

Particular positioner kits for special spools

13QN kit

Detent in 4th position with spool out: available only for spool type **ED-5PY** (see page 84).



Detent area
 Locking force: 360 N / 81 lbf ±10%
 Release force: 390 N / 87.7 lbf ±10%

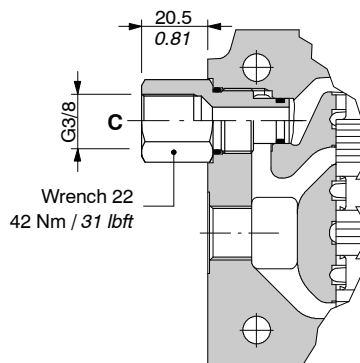
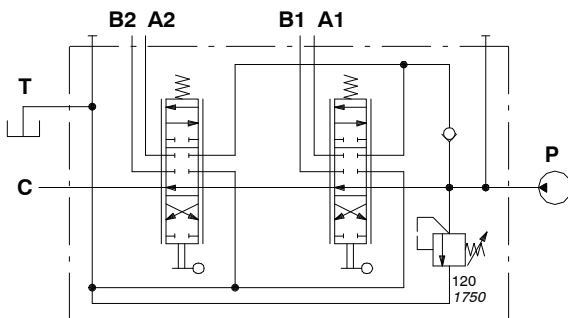
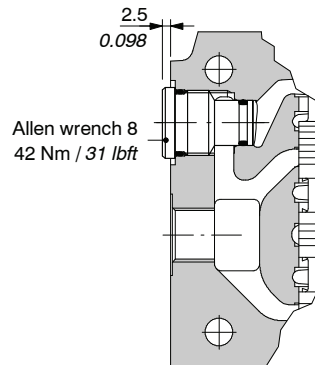
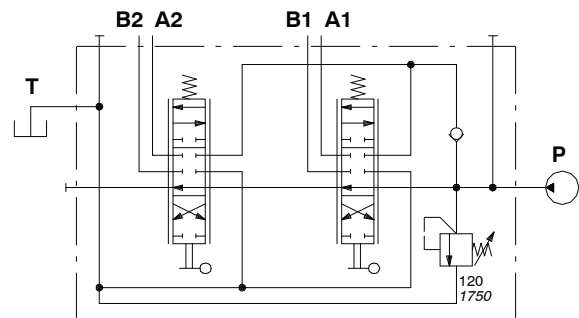
directional valve with right inlet
SD5
Outlet port options

It's possible to have open centre, closed centre and carry-over.

Unloader valves are available: these valves need special bodies with appropriate cavity on lateral outlet port, the tank connection T must be on top.

AET: open centre (standard)

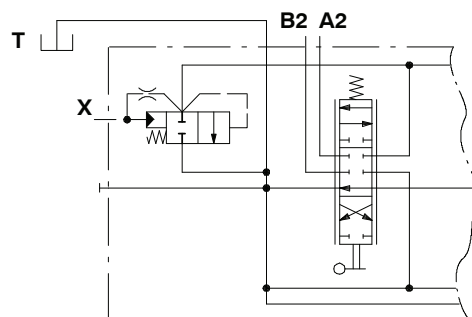
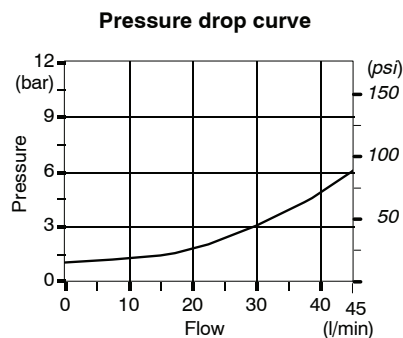
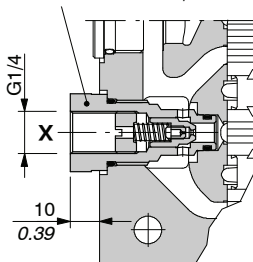
See page 79.

AE: with carry-over

AEK: closed centre

 Description example:
 SD5/2-P(KG3-120)/ED-18L/ED-18L/AE

 Description example:
 SD5/2-P(KG3-120)/ED-18L/ED-18L/AEK

With hydraulic pilot unloader valve type L

For safety reasons it's provided with pilot port plugged.

Wrench 24 - 42 Nm / 31 lbf


 Description example:
 SD5/2-P(JG3-120)/ED-18L/ED-18L/AET-L

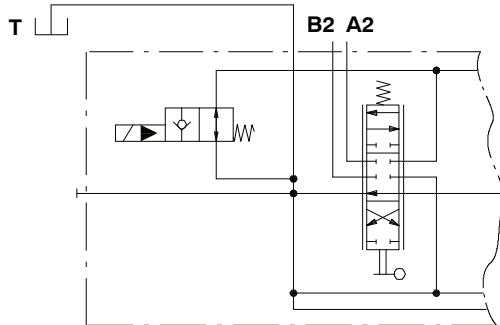
Operating features

 Internal leakage : 10 cm³/min a 100 bar
 : 0.61 in³/min at 1450 psi

SD5
directional valve with right inlet
Outlet port options
With solenoid pilot unloader valve

For the complete valve must be ordered the cartridge and the coil both; to follow please see code list and description composition.

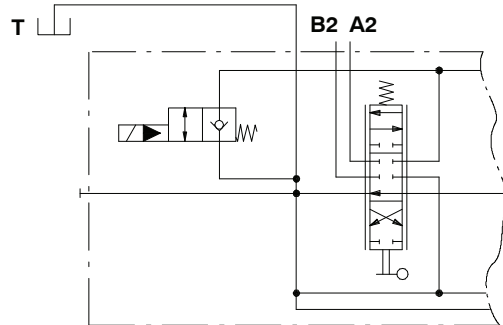
Example of directional valve with normally open unloader valve



Description example:

SD5/2-P(JG3-120)/ED-18L/ED-18L/AET-ELNW-12VDC

Example of directional valve with normally closed unloader valve



Description example:

SD5/2-P(JG3-120)/ED-18L/ED-18L/AET-ELNW(NC)-12VDC

Description example:

SD5 / 2 - P (JG3-120) / ED-18L / ED-18L / AET-ELNW 4 (NC) - 12VDC

1.

2.

1.

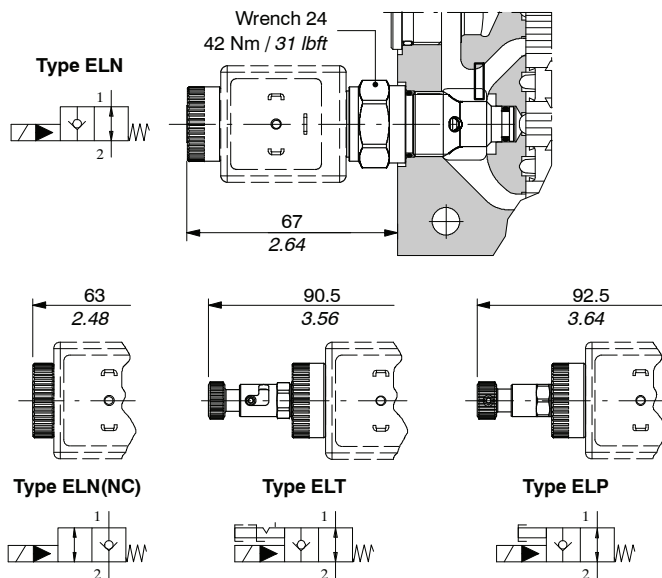
2.

1. Solenoid pilot unloader valve

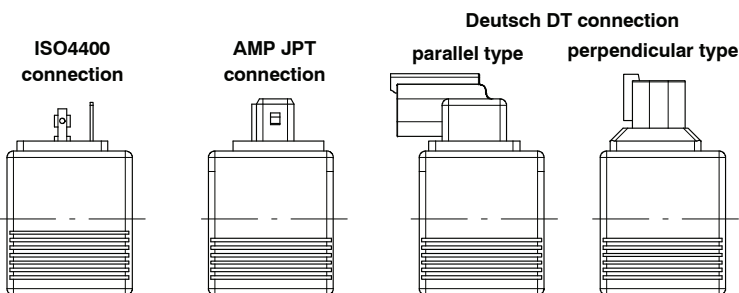
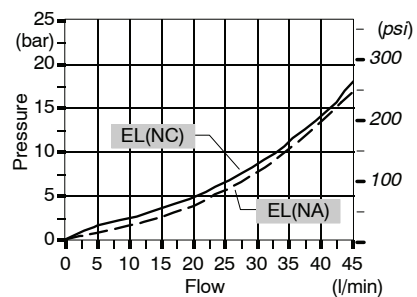
TYPE	CODE	DESCRIPTION
AET-ELNW	0EFW0132002	Normally open, without emergency
AET-ELNW(NC)	0EFW0132003	As previous, normally closed
AET-ELTW	0EFW0132000	Normally open, with "push&twist" emergency type
AET-ELPW	0EFW0132001	Normally open, with push-button emergency type

2. Coil

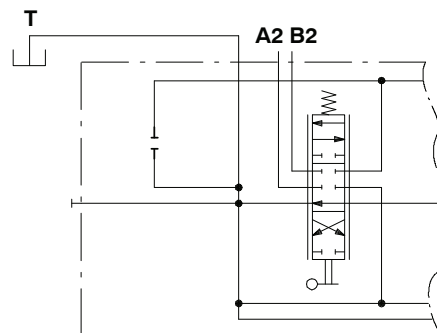
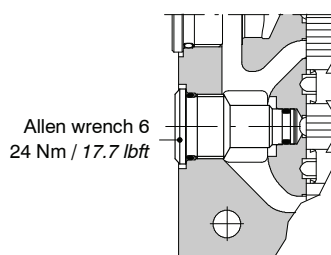
TYPE	CODE	DESCRIPTION
<u>With ISO4400 connection</u>		
12VDC	4SLE001200	Nominal voltage 12VDC
DB-12VDC	4SLE001217	As previous, with bi-directional diode
24VDC	4SLE002400	Nominal voltage 24VDC
DB-24VDC	4SLE002408	As previous, with bi-directional diode
<u>With AMP JPT connection</u>		
2-12VDC	4SLE001203	Nominal voltage 12VDC
2DB-12VDC	4SLE001211	As previous, with bi-directional diode
2-24VDC	4SLE002403	Nominal voltage 24VDC
<u>With Deutsch DT connection</u>		
4-12VDC	4SLE001202	Nominal voltage 12VDC, parallel connection
4DB-12VDC	4SLE001216	As previous, with bi-directional diode
4PD-12VDC	4SLE001201	Nominal voltage 12VDC, perpendicular connection
4PDDB-12VDC	4SLE001209	As previous, with bi-directional diode
4-24VDC	4SLE002402	Nominal voltage 24VDC, parallel connection
4PD-24VDC	4SLE002401	Nominal voltage 24VDC, perpendicular connection
4PDDB-24VDC	4SLE002407	As previous, with bi-directional diode

Outlet port options
With solenoid pilot unloader valve

Valve operating features

Max. flow : 45 l/min
 Max. pressure : 315 bar / 4600 psi
 Internal leakage (from 1 to 2) : max. 3 cm³/min at 100 bar
 : max. 4.6 in³/min at 1450 psi

**Valve pressure drop
from 1 to 2 in open position**

Coil operating features

Nominal voltage tolerance. : ±10%
 Power rating : 19.3 W - 12 VDC
 : 19.2 W - 24 VDC
 Max. operating current : 1.61 A - 12 VDC
 : 0.80 A - 24VDC
 Coil insulation : Class H
 Weather protection : IP65 - ISO4400
 : IP69K - Deutsch DT
 : IP65 - AMP JPT
 Insertion : 100%

LT: unloader valve prearrangement


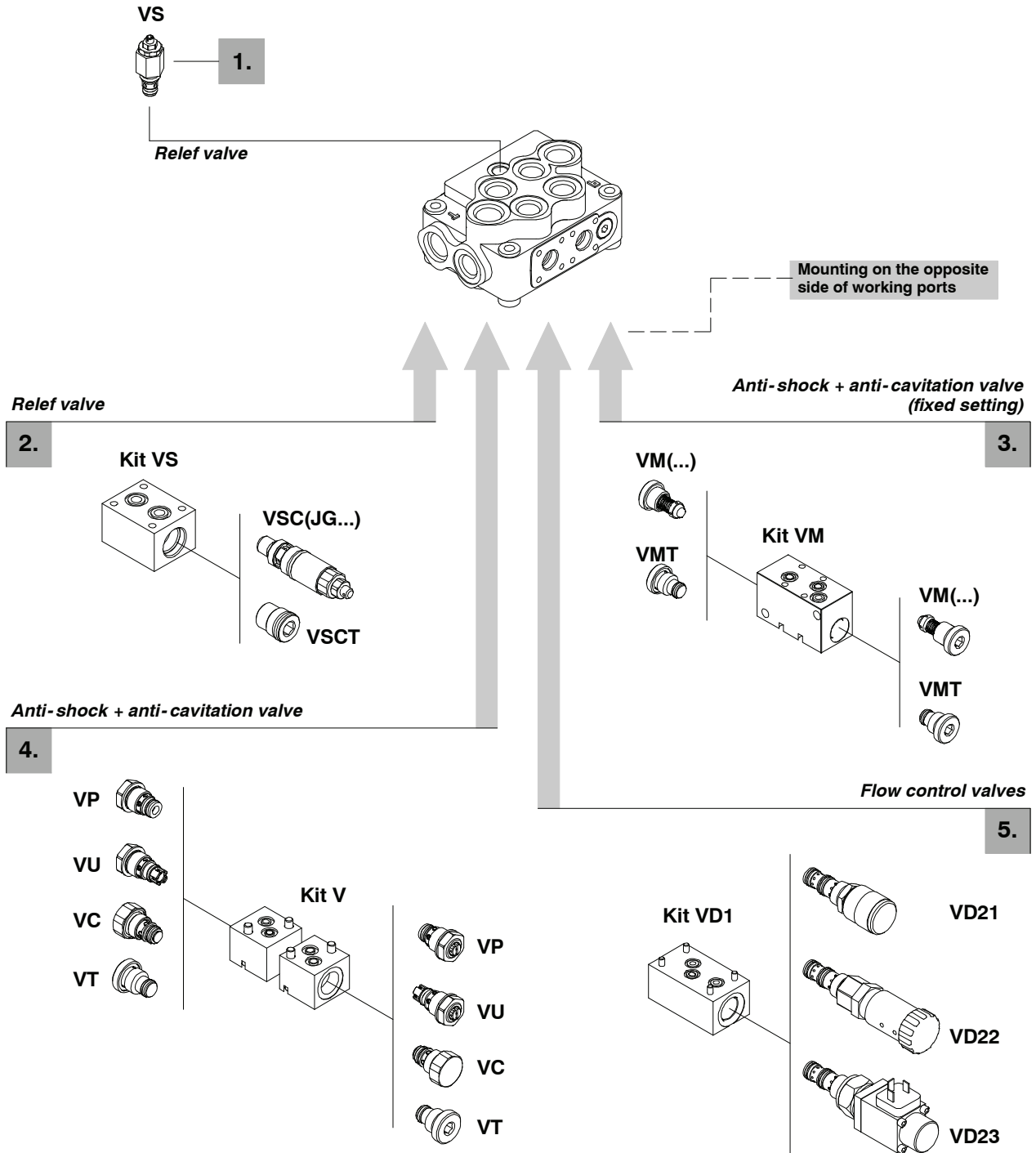
Description example>
 SD5/2-P(JG3-120)/ED-18L/ED-18L/AET-LT

SD5

directional valve with right inlet

Service and auxiliary valves

All service and auxiliary valves need **special body**: contact Sales Department.



1. Relief valves page 102

TYPE	CODE	DESCRIPTION
VS(G3-100)	3XCAR505113	Range 40 to 200 bar / 580 to 2900 psi standard setting 60 bar / 870 psi
VST	3XTAP419300	Valve blanking plug

2. Flange mounted relief valve page 103

TYPE	CODE	DESCRIPTION
VSC(JG2-60)	5KIT105412	Range 40 to 80 bar / 580 to 1150 psi standard setting 60 bar / 870 psi
VSC(JG3-100)	5KIT105413	Range 63 to 200 bar / 900 to 2900 psi standard setting 100 bar / 1450 psi
VSC(JG4-200)	5KIT105414	Range 160 to 250 bar / 2300 to 3600 psi standard setting 200 bar / 2900 psi
VSCT	XTAP623282	Valve blanking plug
Kit VS	5CO2420000	Mounting block kit

3. VM anti-schock+anti-cavitation valve page 104

 Flange mounted type with fixed setting and fitted with mounting block.

TYPE	CODE	DESCRIPTION
VM(50)	5KIT326050	Setting 50 bar / 725 psi
VM(60)	5KIT326060	Setting 60 bar / 870 psi
VM(70)	5KIT326070	Setting 70 bar / 1010 psi
VM(80)	5KIT326080	Setting 80 bar / 1150 psi
VM(90)	5KIT326090	Setting 90 bar / 1300 psi
VM(100)	5KIT326100	Setting 100 bar / 1450 psi
VM(125)	5KIT326125	Setting 125 bar / 1800 psi
VM(140)	5KIT326140	Setting 140 bar / 2050 psi
VM(160)	5KIT326160	Setting 160 bar / 2300 psi
VM(175)	5KIT326175	Setting 175 bar / 2550 psi
VM(190)	5KIT326190	Setting 190 bar / 2750 psi
VM(210)	5KIT326210	Setting 210 bar / 3050 psi
VM(230)	5KIT326230	Setting 230 bar / 3350 psi
VM(250)	5KIT326250	Setting 250 bar / 3600 psi
VM(260)	5KIT326260	Setting 260 bar / 3750 psi
VM(280)	5KIT326280	Setting 280 bar / 4050 psi
VM(300)	5KIT326300	Setting 300 bar / 4350 psi
VMT	XTAP221340	Valve blanking plug
Kit VM	5CO2820020	Mounting block kit

4. V anti-schock+anti-cavitation valve page 106

Set of valves fitted with mounting block.

TYPE	CODE	DESCRIPTION
Kit V	5CO2820010	Mounting block kit
T	XTAP524280	Valve blanking plug
C	5KIT406110	Anti-cavitation valve

Anti-shock valves

P(G2)	5KIT206112	Range 60 to 125 bar / 870 to 1800 psi standard setting 80 bar / 1150 psi
P(G3)	5KIT206113	Range 80 to 200 bar / 1150 to 2900 psi standard setting 120 bar / 1750 psi
P(G4)	5KIT206114	Range 160 to 250 bar / 2300 to 3600 psi standard setting 200 bar / 2900 psi

Anti-shock + anti-cavitation valves

U(G2)	5KIT305112	Range 40 to 100 bar / 580 to 1450 psi standard setting 80 bar / 1150 psi
U(G3)	5KIT305113	Range 80 to 200 bar / 1150 to 2900 psi standard setting 120 bar / 1750 psi
U(G4)	5KIT305114	Range 160 to 315 bar / 2300 to 4600 psi standard setting 200 bar / 2900 psi

5. Flow control valves page 110

Flow control on every section; with auxiliary inlet

TYPE	CODE	DESCRIPTION
VD21	2S0PP10002000	Fine regulation from 3 to 28 l/min
VD22	2S1636020211	As VD11, one turn with detent
VD23	2S0PP10002002	12VDC proportional solenoid valve
Kit VD2	5CO2822020*	Mounting block kit

NOTE - Valve setting at points 1-2-4-5-6 are referred to 10 l/min flow.
 - (*) Codes are referred to **BSP** threads.

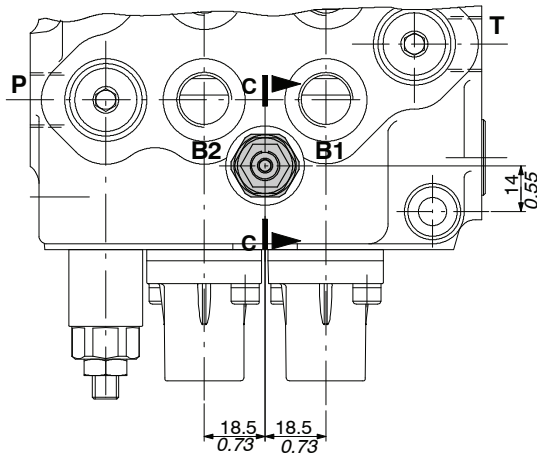
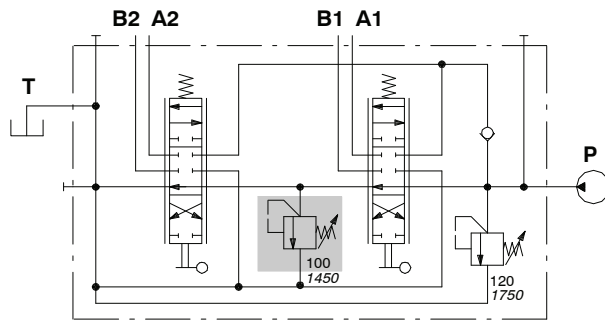
SD5
directional valve with right inlet
Service and auxiliary valves
VS relief valve

It's suggested for flow up to 25 l/min, and it's mounted on parallel body to limitate the pressure, at lower value than main relief valve (min. gap 20 bar / 290 psi), on downstream section.

It's in parallel with flow trough and it works only with single operation.

VS (G 3 - 100)

- Pressure setting in bar (standard 100 bar / 1450 psi)
- Spring type
- Adjustment type (G, H)

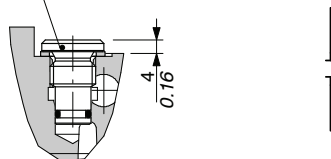

Hydraulic circuit


Description example:

SD5/2-P(KG3-120)/ED-18L/VS(G3-100)/ED-18L/AET-PSA

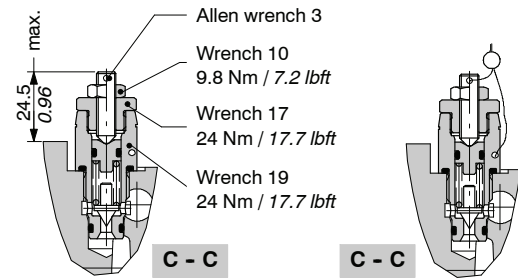
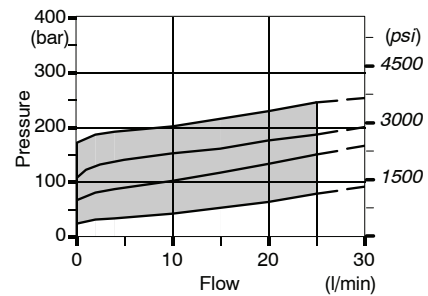
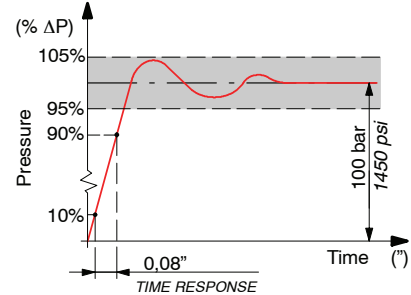
VST: valve blanking plug

Allen wrench 6
42 Nm / 31 lbft


Adjustment type

G: with screw

H: valve set and locked


Performance data
Spring nr. 3 (blue band)

Time response


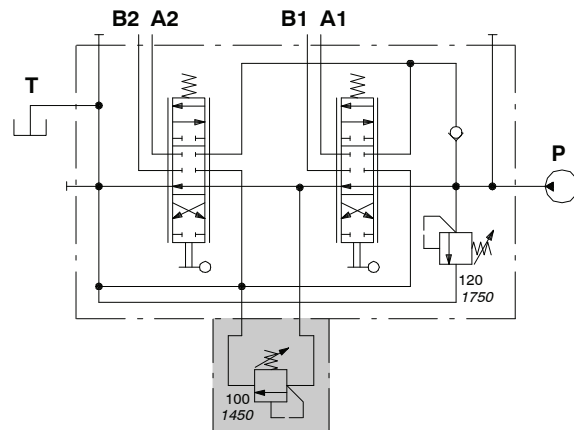
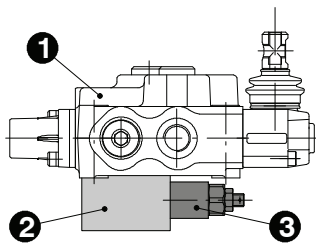
directional valve with right inlet
SD5
Service and auxiliary valves
VSC relief valve

It's flange mounted on parallel body on the opposite side of working ports, the function to limit the pressure, at lower value than main relief valve (min. gap 20 bar / 290 psi) on downstream sections.

It's in parallel with flow through line and it works only with single operation.

It needs a dedicated body with extra machining: for production requirements, the block (2) is flanged (1) before the final honing of spool hole, while the valve (3) is mounted during final assembling phase.

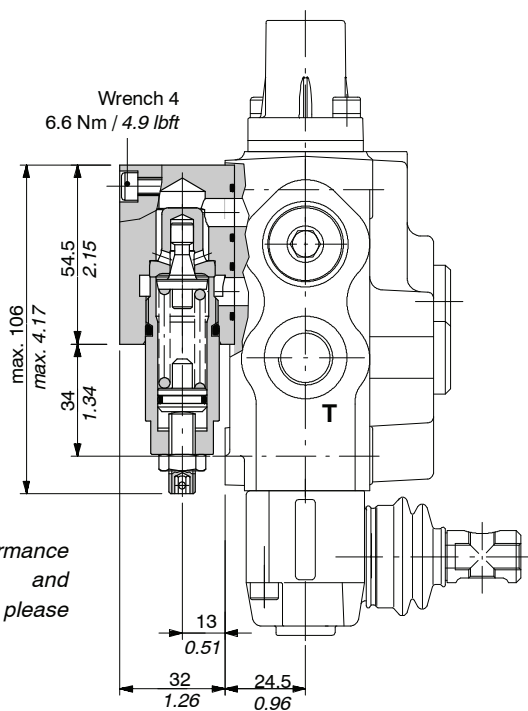
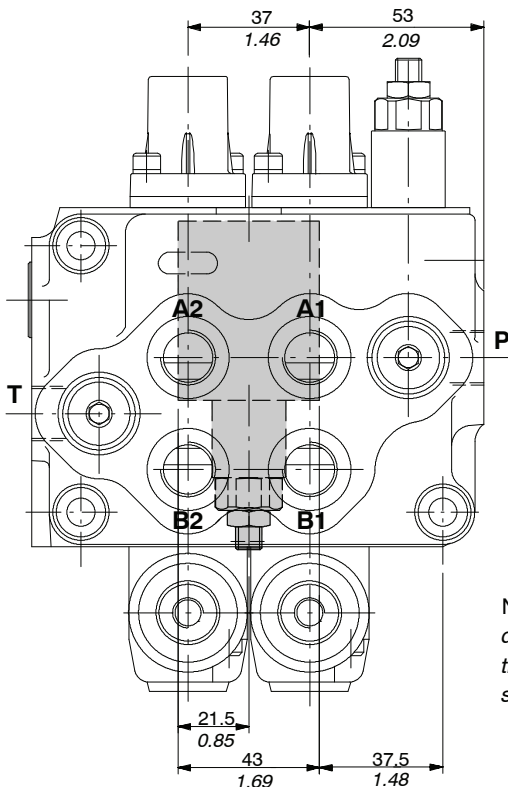
For information contact Sales Department.


VSC (J G 3 - 100)

- Standard setting in bar (for value see page 101)
- Adjustable spring type (2, 3, 4).
- Adjustment type (G, H).

Description example:

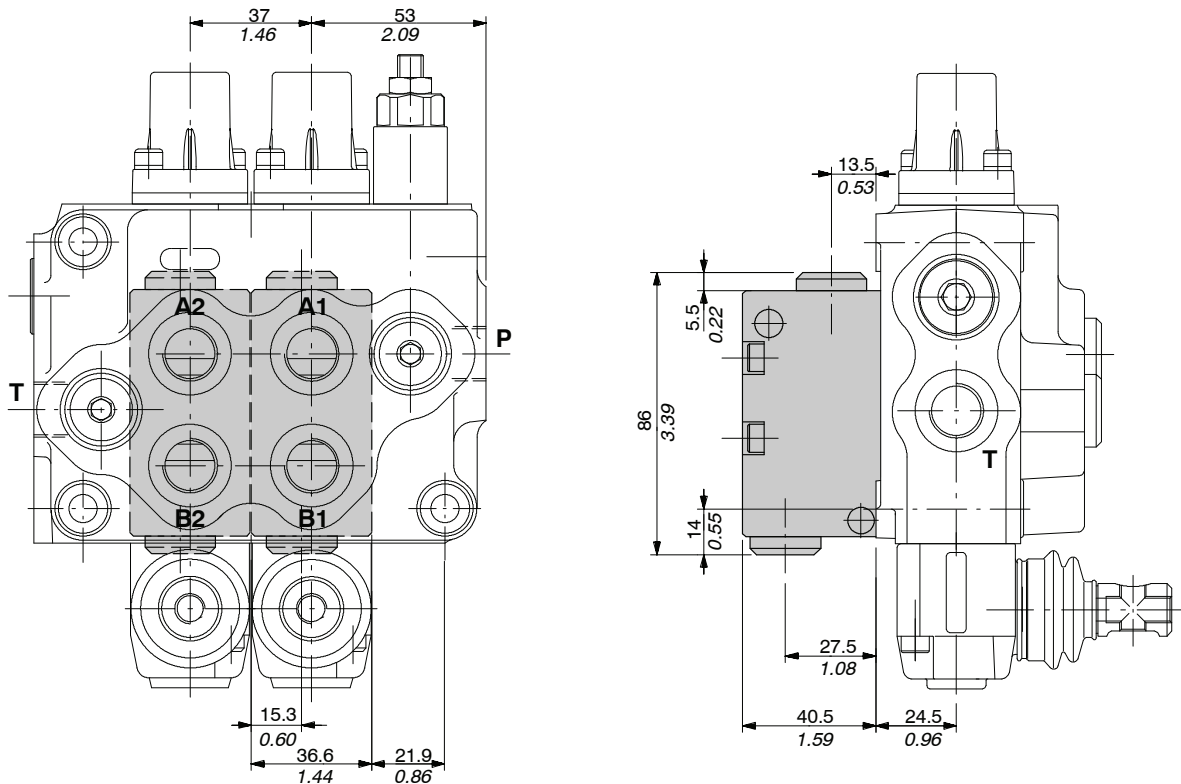
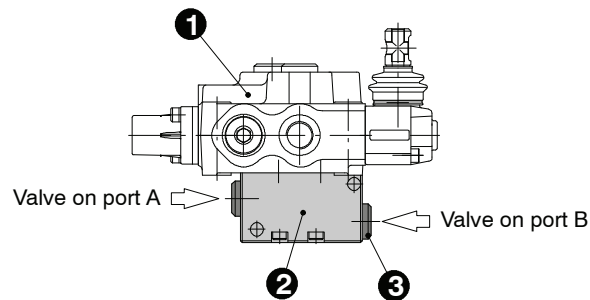
SD5/2-P(JG3-120)/ED-18L/VSC(JG3-100)/ED-18L/AET



NOTE - For performance data, wrench and tightening force, please see page 12.

SD5
directional valve with right inlet
Service and auxiliary valves
VM anti-shock and anti-cavitation

They are flange mounted on the opposite side of working ports, connected in parallel with A and B ports and with outlet on T port. It needs a dedicated body with extra machining: for production requirements, the block (2) is flanged on body (1) before the final honing of spool hole, while the valve (3) is mounted during final assembling phase. For information contact Sales Department.



directional valve with right inlet

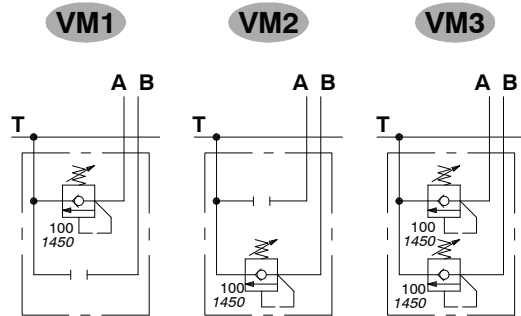
SD5

Service and auxiliary valves

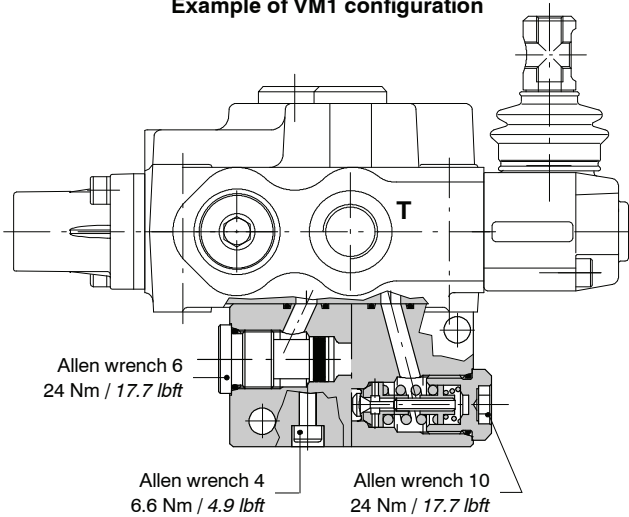
VM anti-shock and anti-cavitation

VM 1 (100)

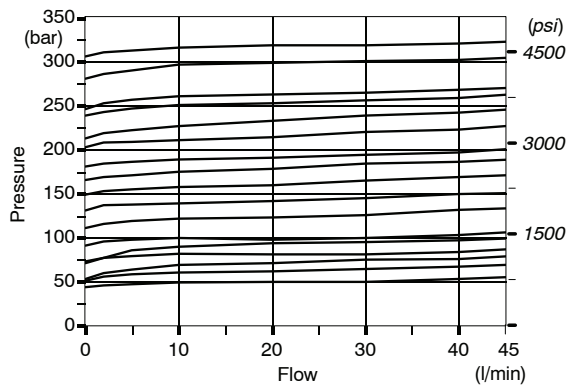
- Valve setting in bar
- 1** mounted on port A
 - 2** mounted on port B
 - 3** mounted on ports A and B



Example of VM1 configuration



Pressure-flow diagram

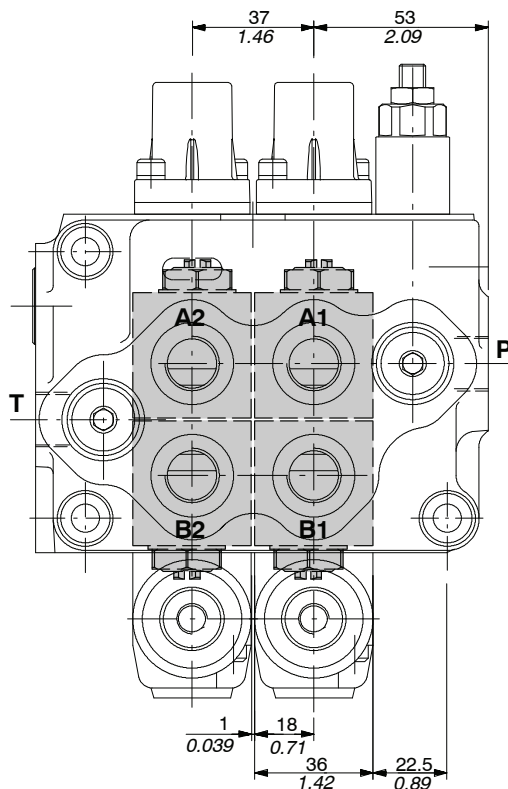
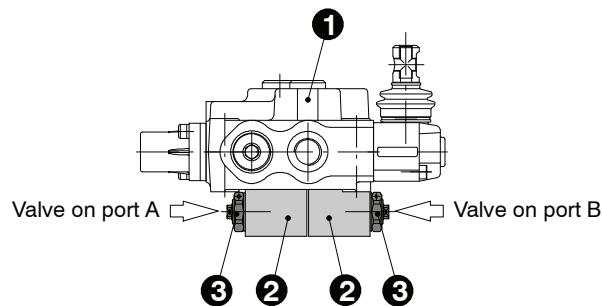


SD5
directional valve with right inlet
Service and auxiliary valves
V anti-shock and anti-cavitation

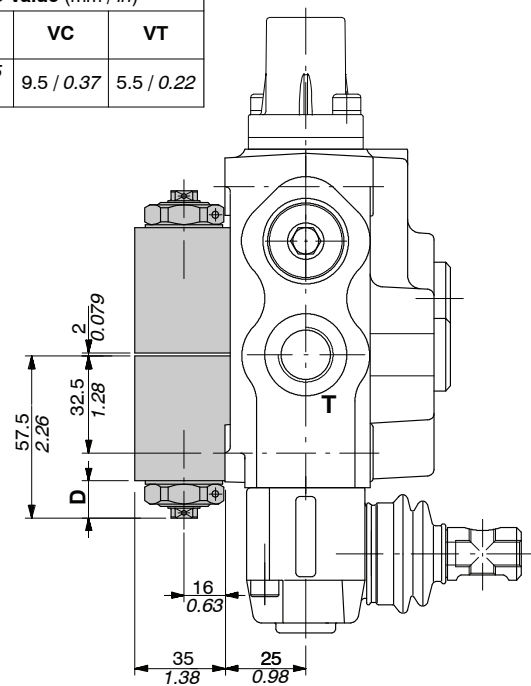
They are anti-shock (VP), anti-shock and anti-cavitation (VU) and anti-cavitation (VC) service valves, flange mounted on the opposite side of working ports connected in parallel with A and B ports.

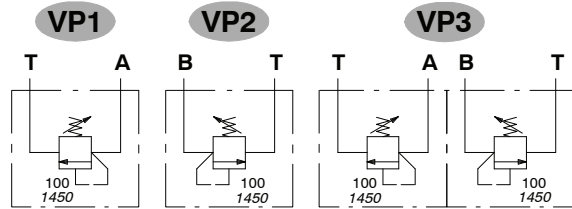
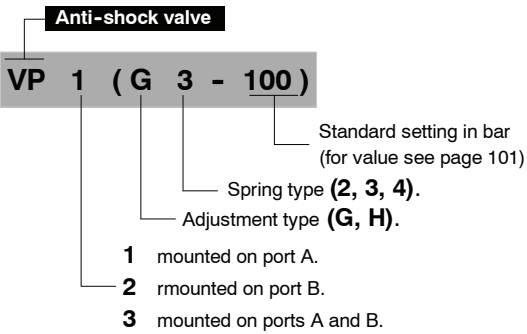
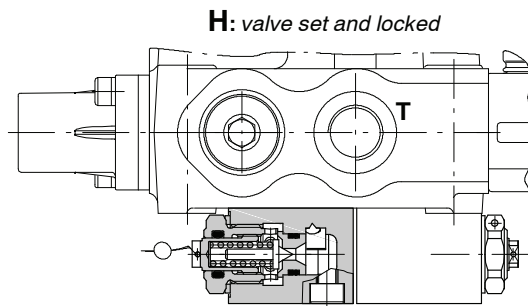
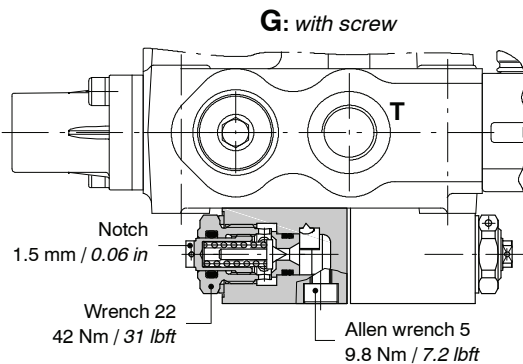
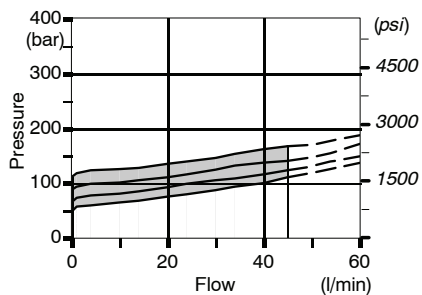
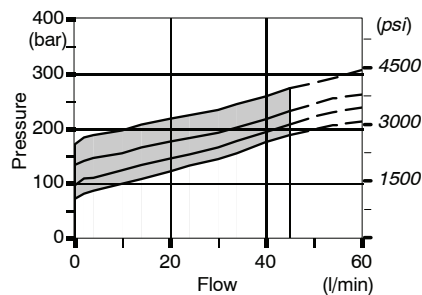
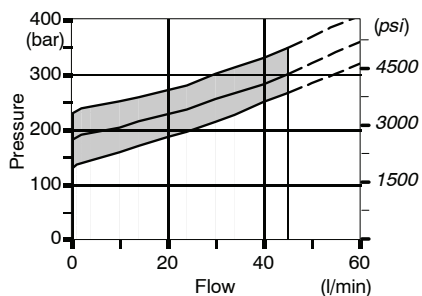
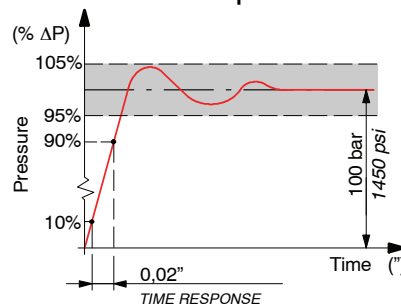
They need a dedicated body with extra machining: for production requirements, the blocks (2) are flanged on body (1) before the final honing of spool hole, while the valves (3) are mounted during final assembling phase.

For information contact Sales Department



Dimension D value (mm / in)			
VP	VU	VC	VT
14 / 0.55 max.	14 / 0.55 max.	9.5 / 0.37	5.5 / 0.22



V anti-schock+anti-cavitation valves

Adjustment type

Performance data
Spring nr. 2 (green band)

Spring nr. 3 (blue band)

Spring nr.4 (red band)

Time response


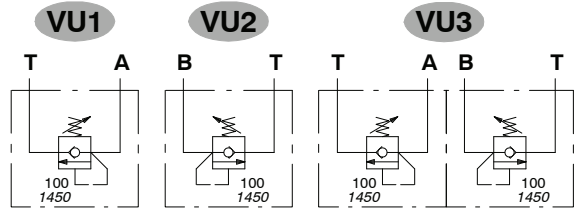
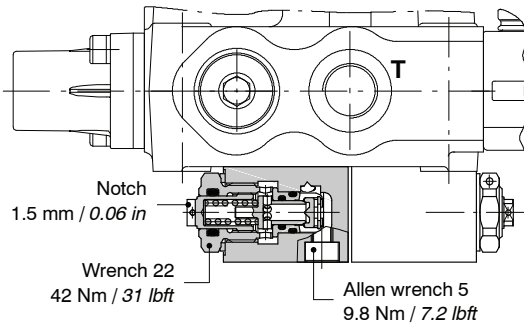
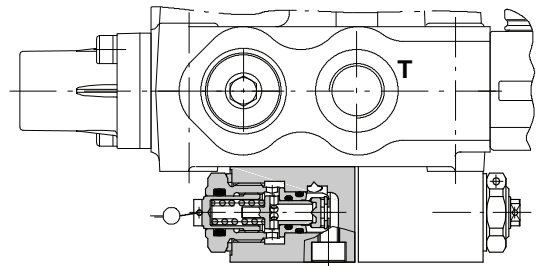
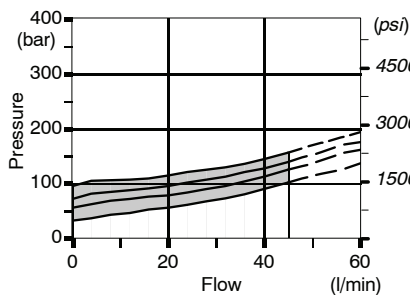
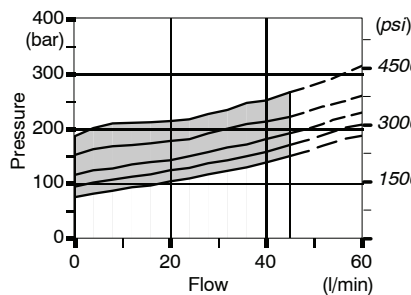
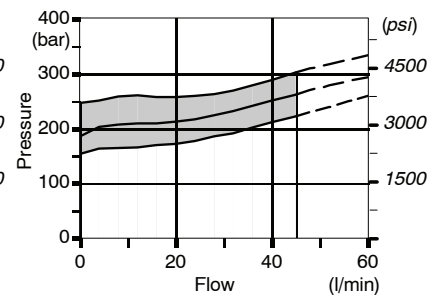
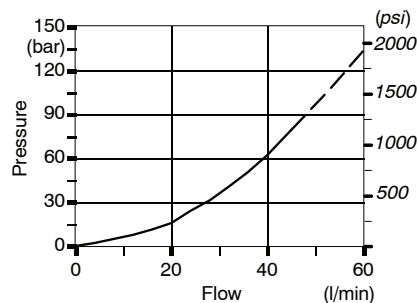
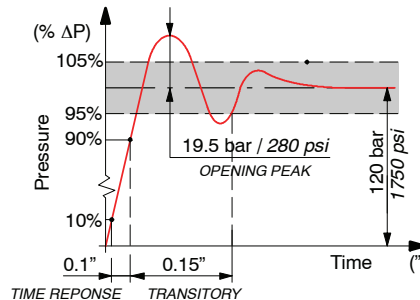
SD5
directional valve with right inlet
Service and auxiliary valves
V anti-shock and anti-cavitation
Anti-shock + anti-cavitation valve
VU 1 (G 3 - 100)

 Standard setting in bar
 (for value see page 53)

Spring type (2, 3, 4).

Adjustment type (G, H).

- 1** mounted on port A.
- 2** mounted on port B.
- 3** mounted on ports A and B.

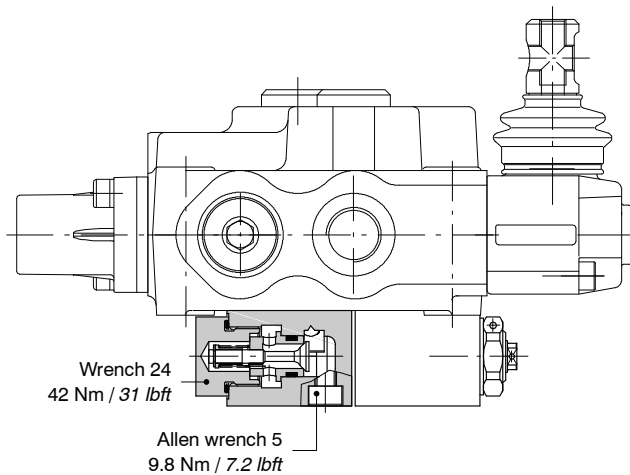
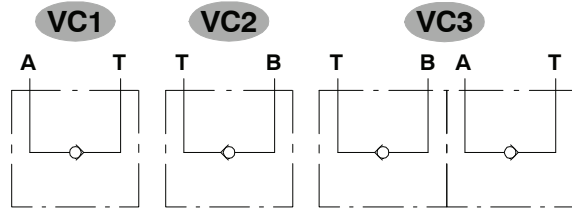

Adjustment type
G: with screw

H: valve set and locked

Performance data
Spring nr. 2 (green band)

Spring nr. 3 (blue band)

Spring nr. 4 (red band)

Pressure drops

Time response


V anti-shock and anti-cavitation

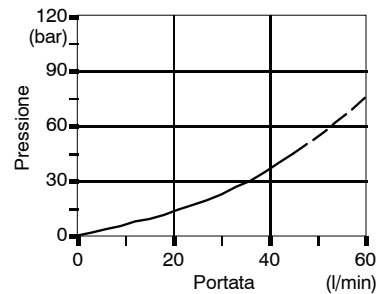
Anti-cavitation valve

VC 1

- 1 mounted on port A.
- 2 mounted on port B.
- 3 mounted on ports A and B.



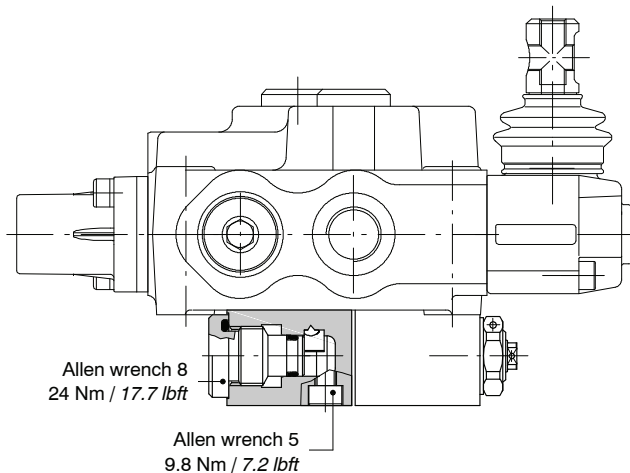
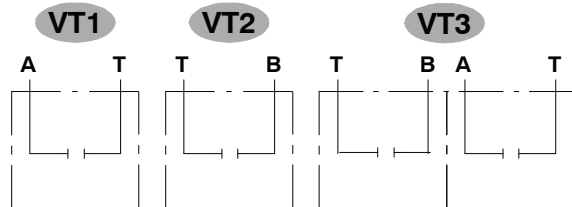
Perdita di carico



Valve blanking plug

VT 1

- 1 mounted on port A.
- 2 mounted on port B.
- 3 mounted on ports A and B.



SD5
directional valve with right inlet
Service and auxiliary valves
VD2 flow control valves

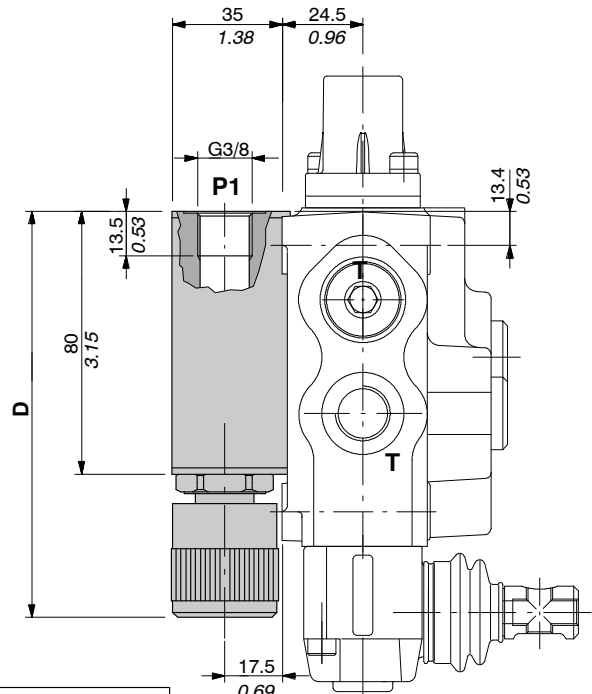
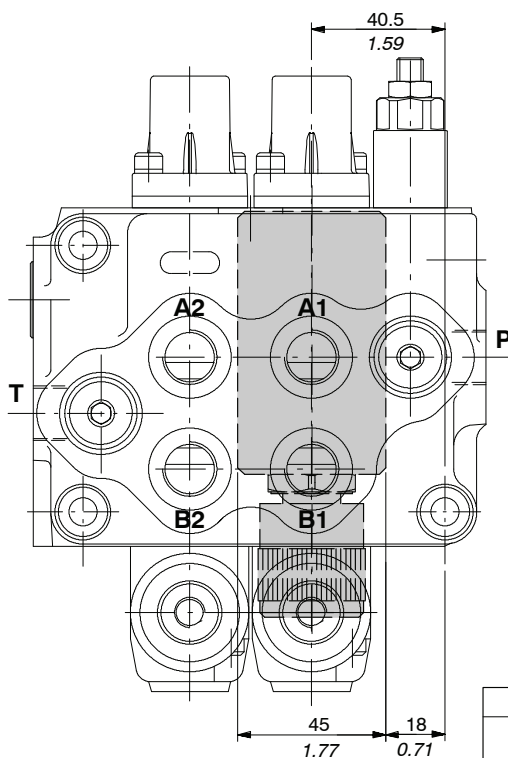
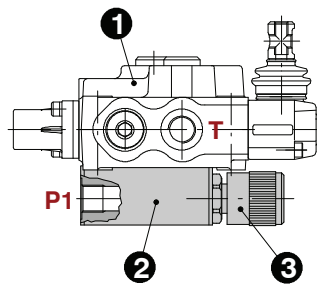
Block with pressure compensated 3-way flow control valve, to be flange mounted on body with parallel circuit.

The cavity is oriented toward lever side.

The flow is regulated on every working section while the exceeding flow goes to tank: max. regulated flow 28 l/min (with inlet on P1 port).

It needs a dedicated body with extra machining: for production requirements, the block (2) is flanged (1) before the final honing of spool hole, while the valve (3) is mounted during final assembling phase.

For information contact Sales Department.



Dimension D value (mm / in)		
VD21	VD22	VD23
124 / 4.88	174.5 / 6.87	174.5 / 6.87

directional valve with right inlet

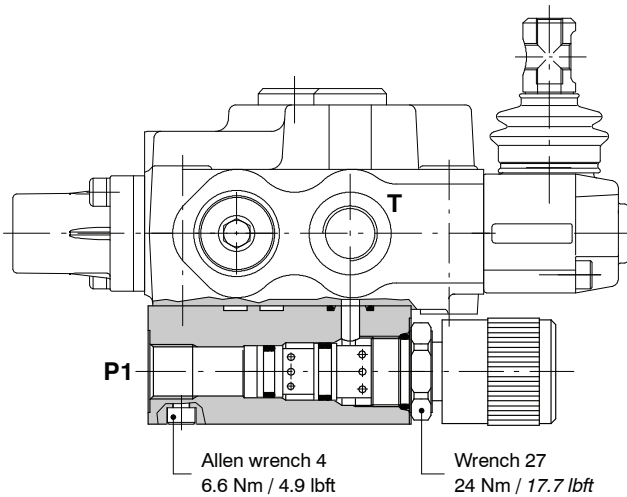
SD5

Service and auxiliary valves

VD2 flow control valves

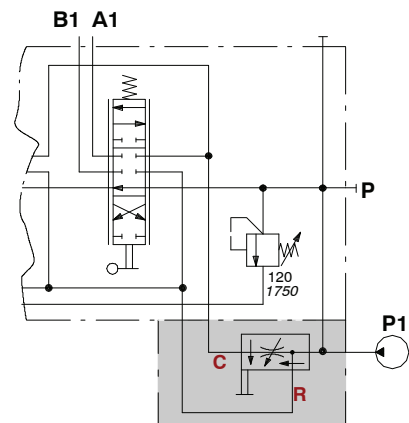
Manual control

VD21: continuous fine regulation

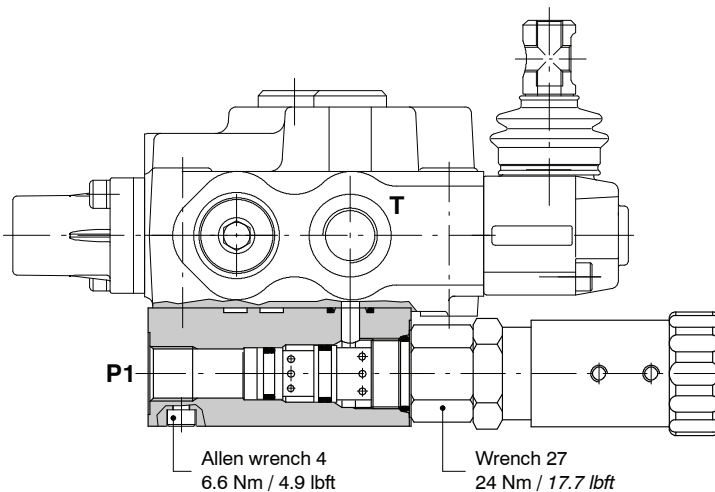


Description example: SD5/2-P(JG3-120)VD11/ED-18L/ED-18L/AET

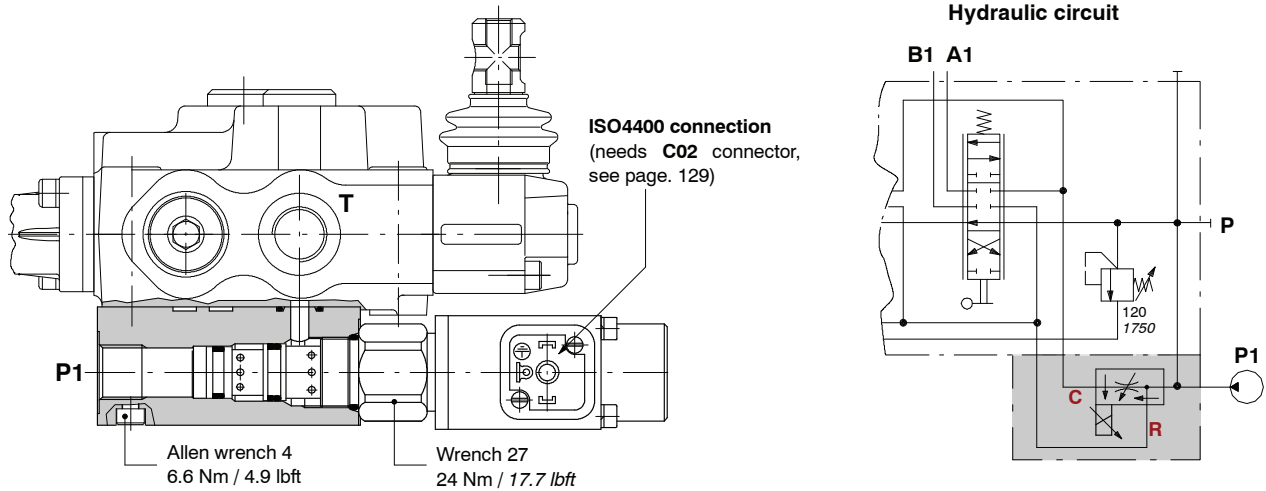
Hydraulic circuit



VD22: one turn with detent handknob regulated



Description example: SD5/2-P(JG3-120)VD12/ED-18L/ED-18L/AET

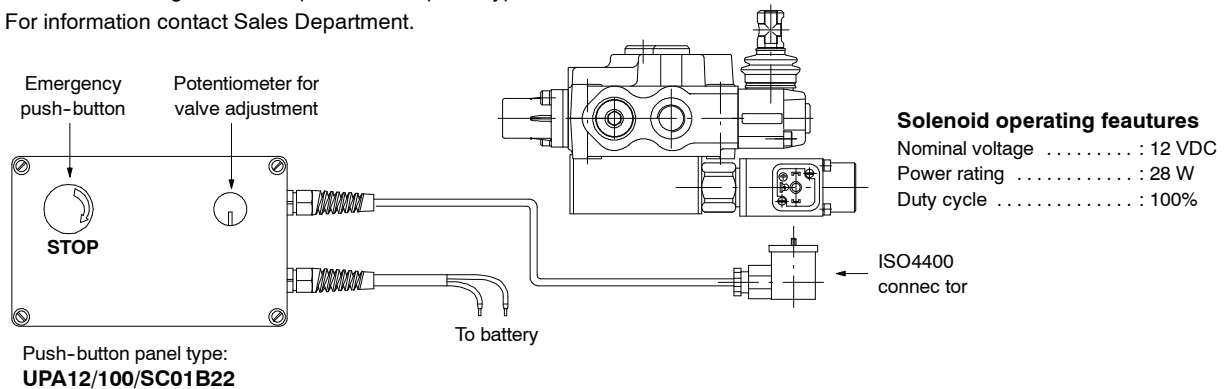
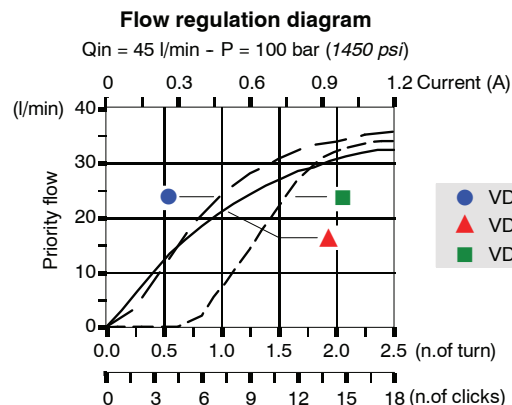
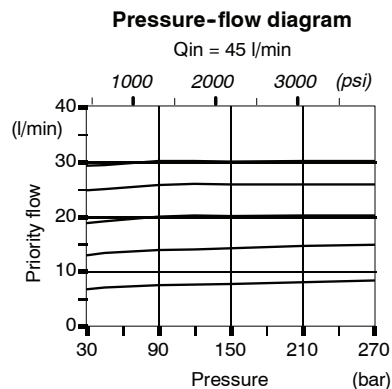
SD5
directional valve with right inlet
Service and auxiliary valves
VD2 flow control valves
VD13 with proportional solenoid control


Description example: SD5/2-P(JG3-120)VD13/ED-18L/ED-18L/AET

Proportional solenoid flow control valve connection

It's shows a configuration with push-button panel type UPA.

For information contact Sales Department.


Performance data



SD5/1-N page 114

It's available only with one working section and it can be used in hydraulic circuits where carry-over doesn't required.

- For controls, spool positioning and valves, refer to directional valve with parallel circuit.


SD5/1-D page 115

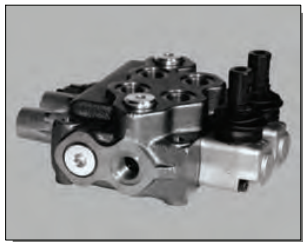
It's available only with one working section and it can be used in hydraulic circuits where carry-over is required.

- For controls and spool positioning refer to directional valve with parallel circuit.
- Configurations with service and auxiliary valves aren't available


SD5-S: with series circuit page 116

Available from 2 to 6 sections, it can be used in systems with one downstream section from series connection must work with upstream ones at the same time.

- On the same body are possible more than one connection.
- It's not available the carry-over circuit.
- For controls, spool positioning and valves, refer to directional valve with parallel circuit.


SD5-SP: with tandem circuit page 118

Available from 2 to 6 sections, for security reasons it can be used in systems which is required to prohibit engagement of downstream sections from tandem connection when the upstream sections are working.

- On the same body are possible more than one connection.
- For controls, spool positioning and valves, refer to directional valve with parallel circuit.


SDM105: with flow control valve page 120

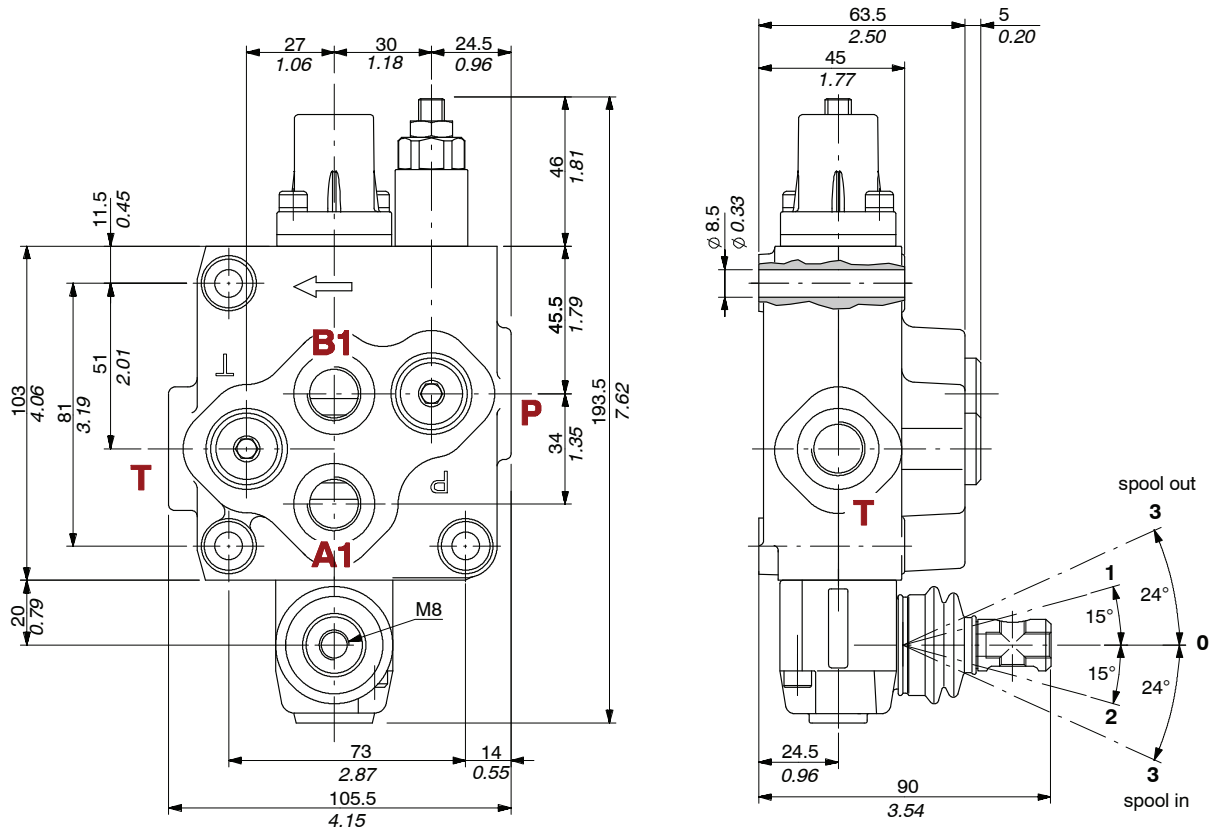
One section available.

- It can be configured with unloader valve.
- For controls and spool positioning refer to directional valve with parallel circuit.
- Configurations with service and auxiliary valves aren't available.

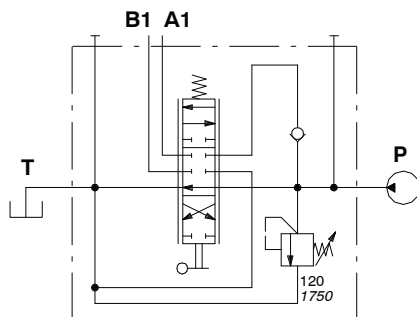
SD5/1-N

directional valve with right inlet

Dimensional data

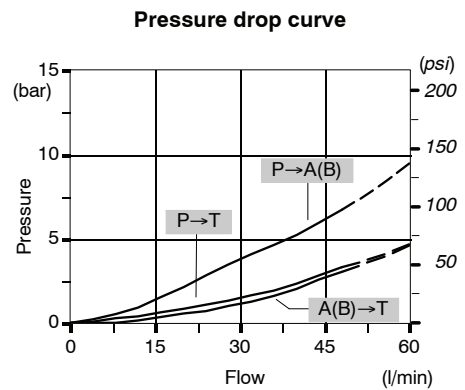


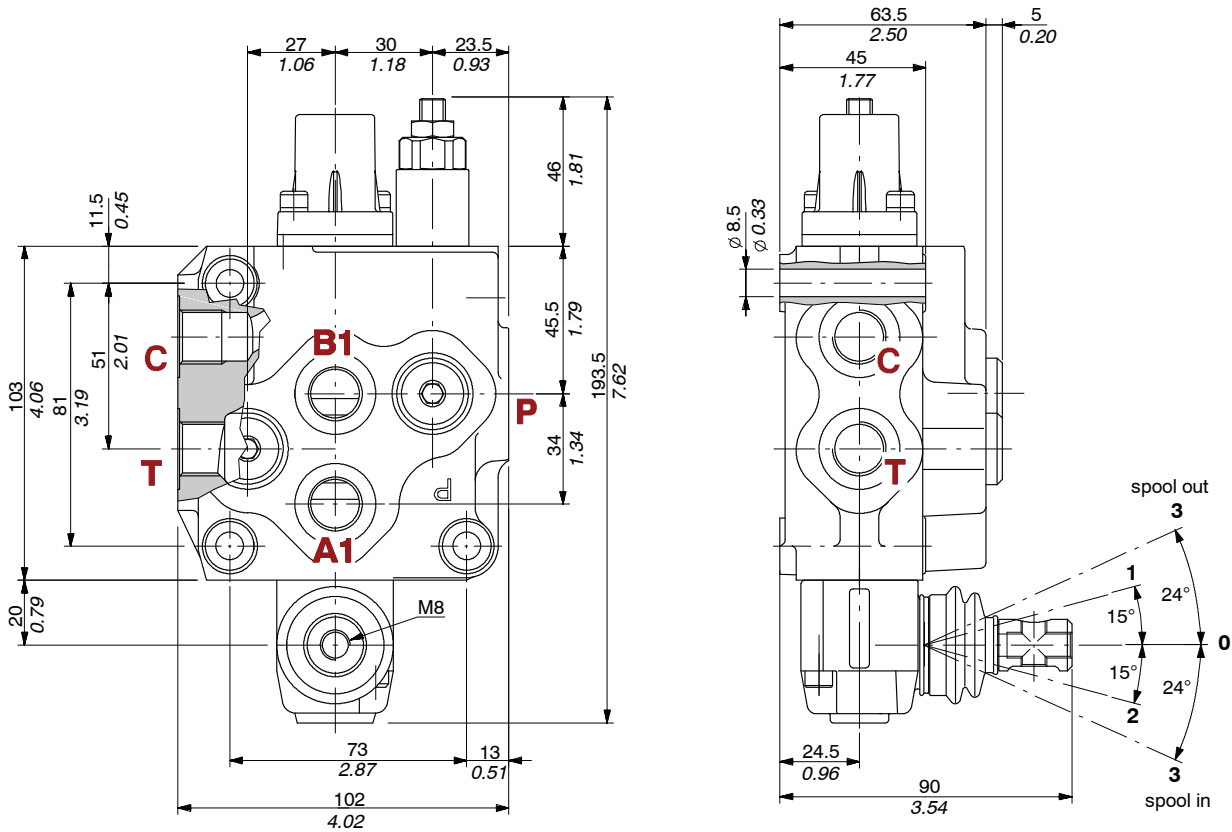
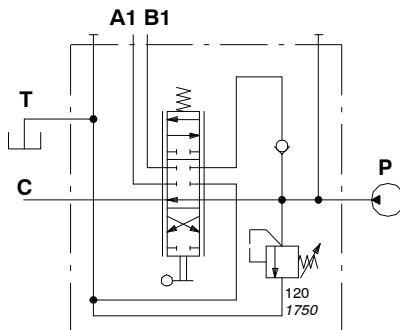
Hydraulic circuit



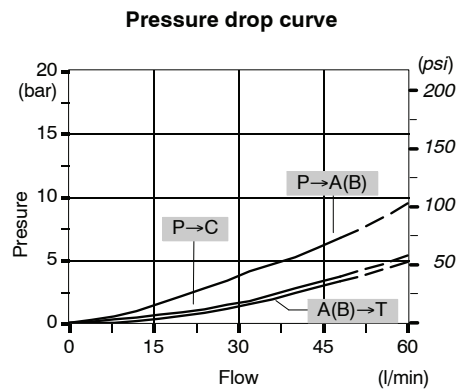
Description example
SD5/1-N(JG3-120)/ED-18L
Code: 102110033

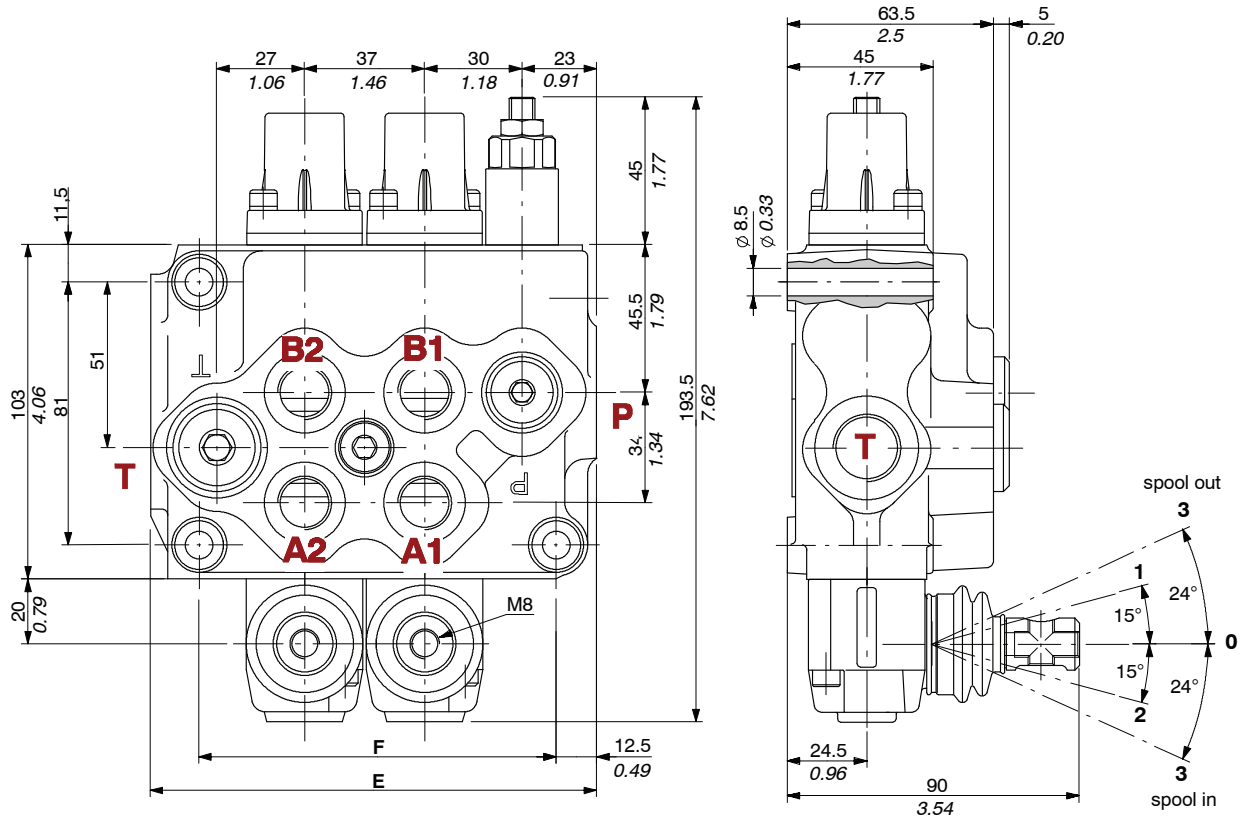
Performance data



directional valve with right inlet
SD5/1-D
Dimensional data

Hydraulic circuit


Description example:
 SD5/1-D(JG3-120)/ED-18L
 Code: 102160027

Performance data


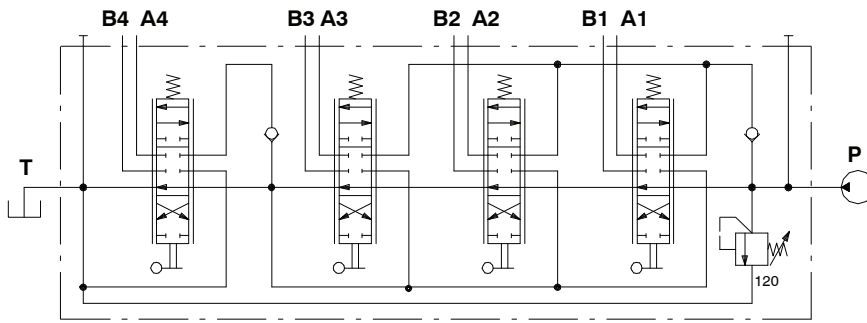
SD5-S
directional valve with right inlet
Dimensional data


TYPE	E		F		Weight	
	mm	in	mm	in	kg	lb
SD5/2-S	137.5	5.41	110	4.33	5.2	11.4
SD5/3-S	174.5	6.87	147	5.79	6.9	15.2
SD5/4-S	211.5	8.33	184	7.24	8.1	17.9

TYPE	E		F		Weight	
	mm	in	mm	in	kg	lb
SD5/5-S	248.5	9.78	221	8.70	10.1	22.3
SD5/6-S	285.5	11.2	258	10.2	11.7	25.8

directional valve with right inlet
SD5-S
Hydraulic circuit

The description of SD5 valve with series circuit is marked with letter "S" and one figure which indicate the downstream sections from series connection.



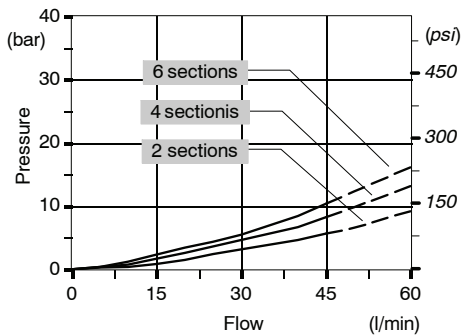
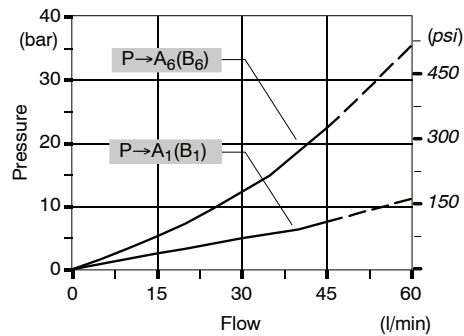
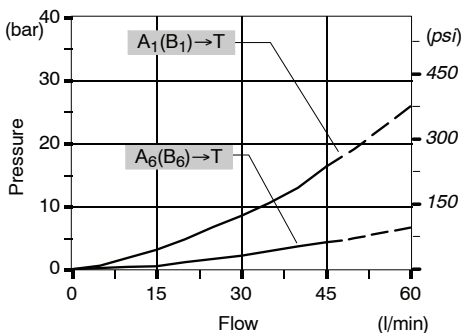
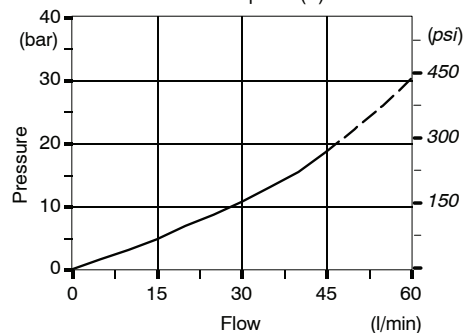
Description example:
 SD5/4-S1(JG3-120)/ED-18L/ED-18L/ED-18L/ED-18L

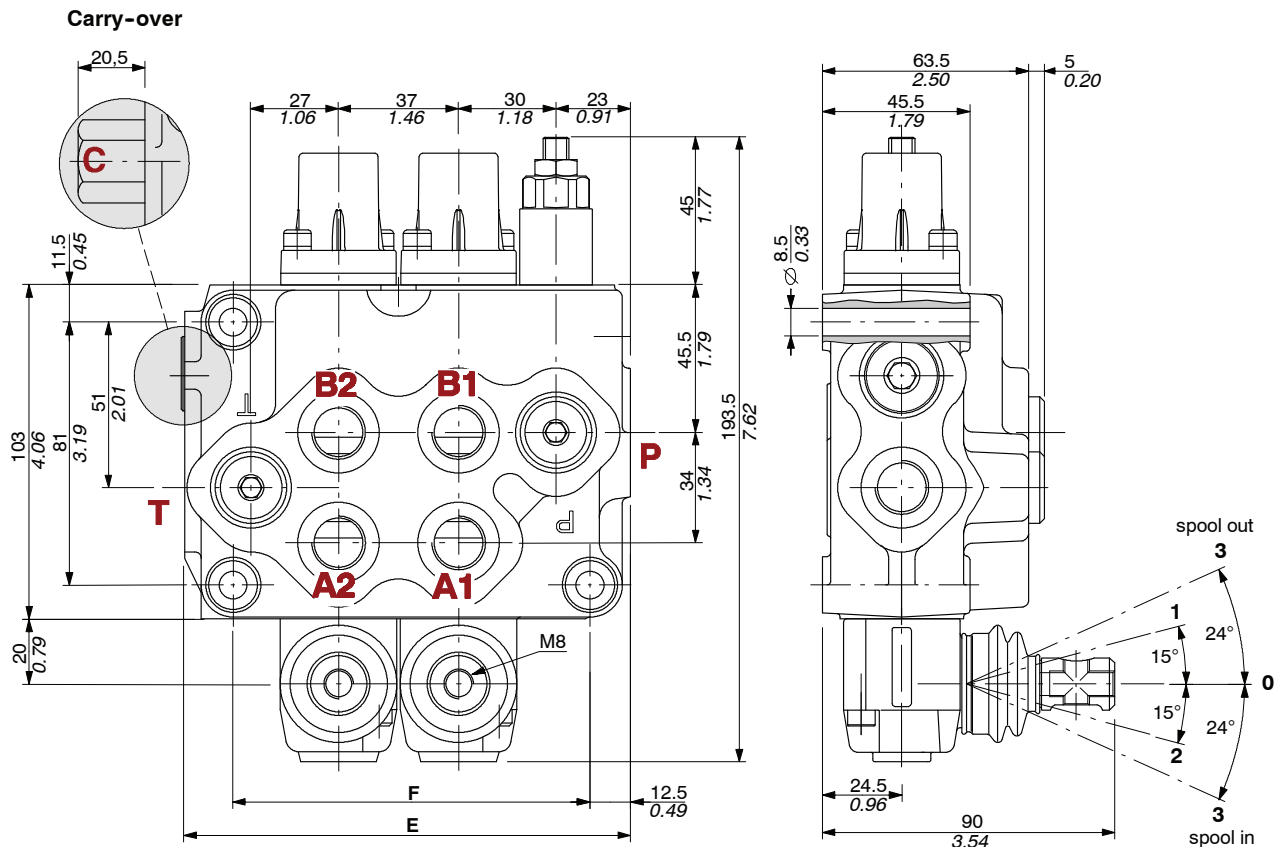
Available body kits *

CODE	DESCRIPTION
5KC1153040	SD5/2-S1
5KC1253003	SD5/3-S1
5KC12D3000	SD5/3-S1+1
5KC1283003	SD5/4-S1
5KC12E3000	SD5/4-S1+1+1
5KC1324033	SD5/5-S1
5KC1073001	SD5/5-S1+1+1+1
5KC13A3000	SD5/5-S2+1
5KC1363003	SD5/6-S1

Include body, seals and load check valves.

NOTE (*) - Codes are referred to **BSP** thread.

Performance data
Pressure drop P→T

Pressure drop P→A(B)
 on 6 sections directional valve

Pressure drop A(B)→T
 on 6 sections directional valve

Pressure drop
 between port A(B) before series connection and port A(B) after


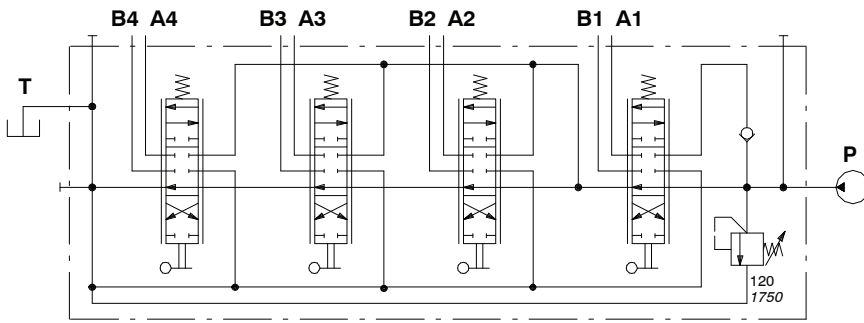
SD5-SP
directional valve with right inlet
Dimensional data


TYPE	E		F		Weight	
	mm	in	mm	in	kg	lb
SD5/2-SP1	137.5	5.41	110	4.33	4.8	10.6
SD5/3-SP2	174.5	6.87	147	5.79	6.7	14.8
SD5/4-SP3	211.5	8.33	184	7.24	8.1	17.6

TYPE	E		F		Weight	
	mm	in	mm	in	kg	lb
SD5/5-SP4	248.5	9.78	221	8.70	10.2	22.5
SD5/6-SP5	285.5	11.2	258	10.2	11.3	24.9
SD5/7-SP6	322.5	13.1	295	11.6	12.7	28

directional valve with right inlet
SD5-SP
Hydraulic circuit

The description of SD5 valve with tandem circuit is marked with letters "SP" and one figure which indicate the downstream sections from tandem connection.



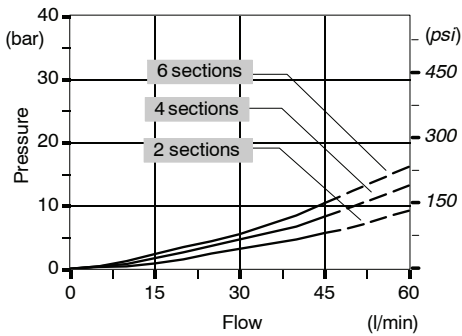
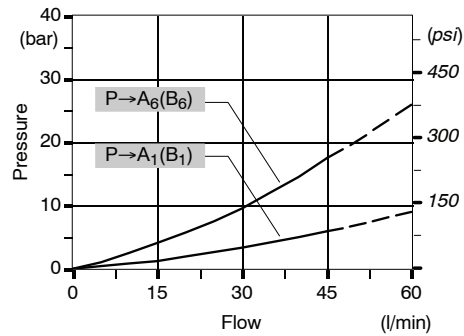
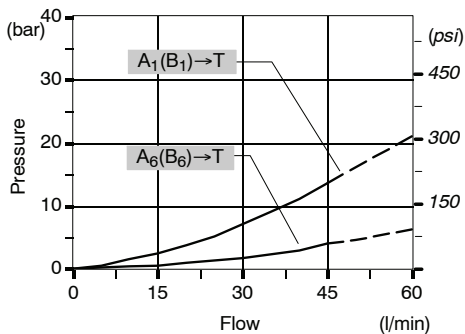
Description example:
 SD5/4-SP3(JG3-120)/ED-18L/ED-18L/ED-18L/ED-18L/AET

NOTE (*) - Codes are referred to **BSP** threads.

Available body kits *

CODICE	DESCRIZIONE
5KC1183000	SD5/2-SP1
5KC12G3000	SD5/3-SP2
5KC1303000	SD5/4-SP1
5KC12H3000	SD5/4-SP1+1
5KC12I3000	SD5/4-SP2+1
5KC1293000	SD5/4-SP3
5KC13D3000	SD5/5-SP2+2
5KC1343000	SD5/5-SP3+1
5KC1333000	SD5/5-SP4
5KC1393000	SD5/6-SP3+1
5KC13Y3000	SD5/6-SP3+2
5KC1373000	SD5/6-SP5
5KC13I3000	SD5/7-SP3+1
5KC13G3000	SD5/7-SP4
5KC13L3000	SD5/7-SP5+1
5KC13F3000	SD5/7-SP6

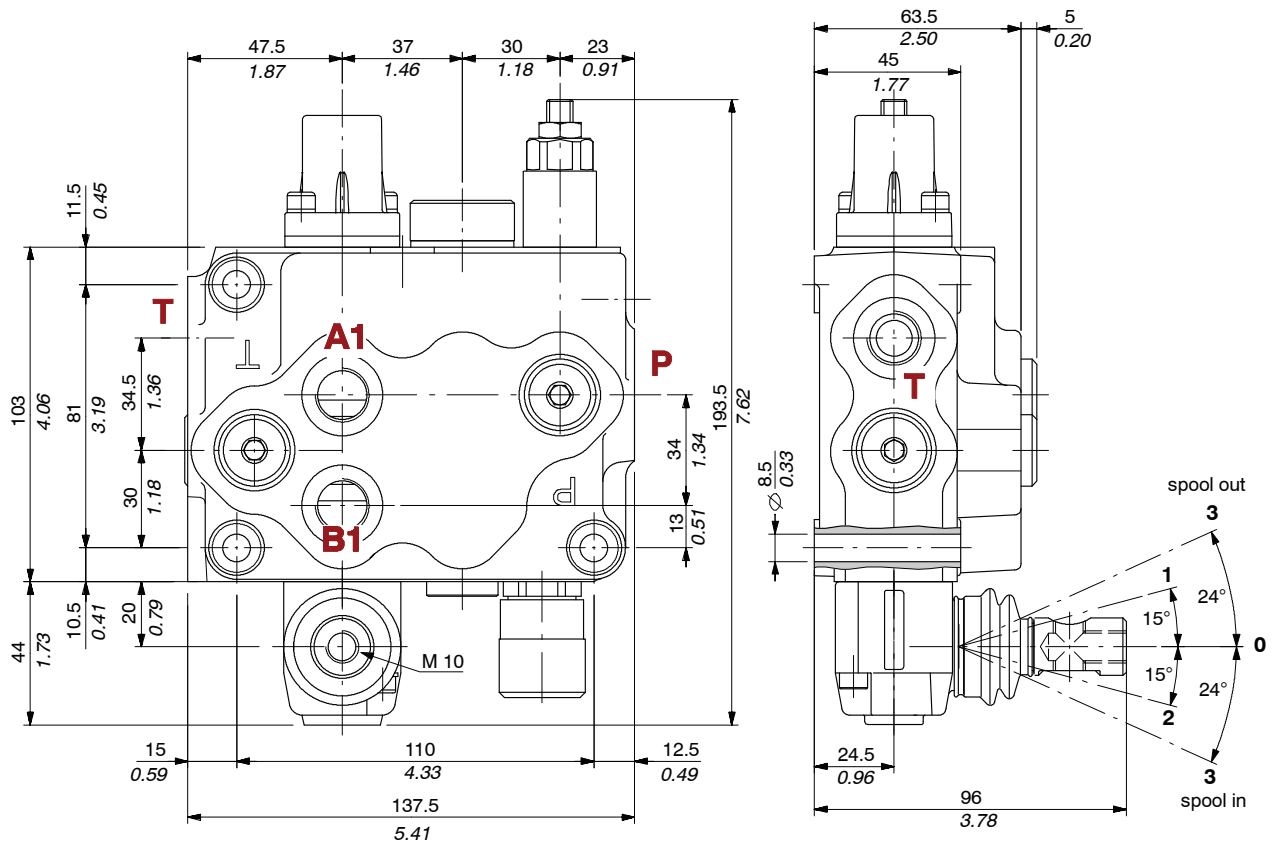
Include body, seals and load check valve.

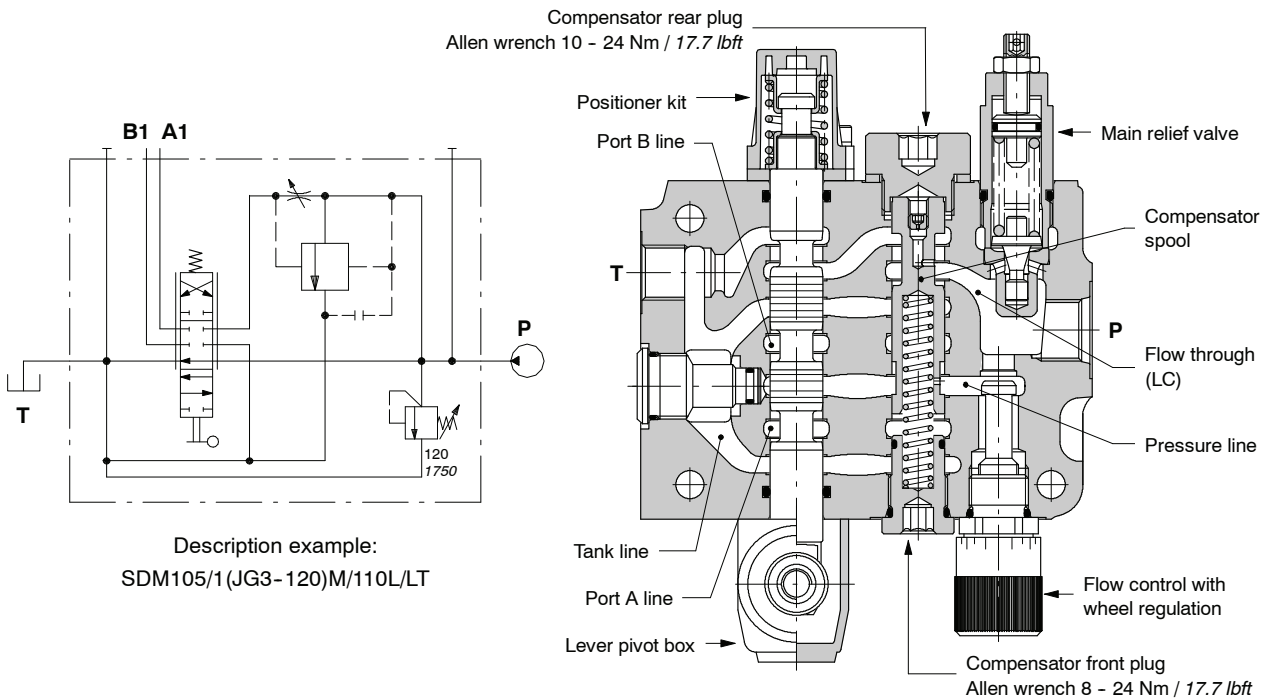
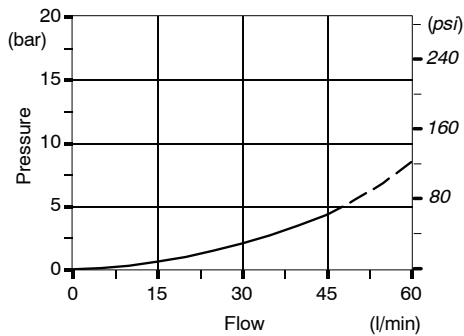
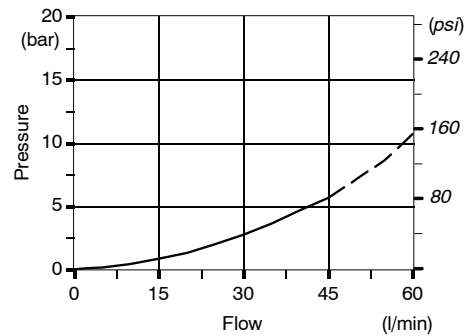
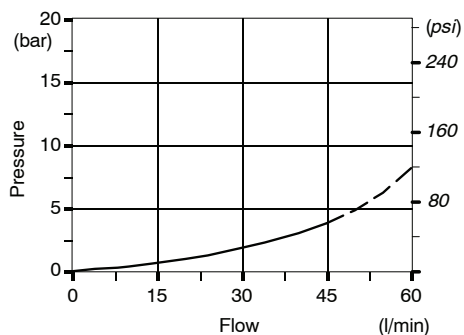
Performance data
Pressure drop P→T

**Pressure drop P→A(B)
 on 6 sections directional valve**

**Pressure drop A(B)→T
 on 6 sections directional valve**


SDM105

directional valve with right inlet

Dimensional data



directional valve with right inlet
SDM105
Hydraulic circuit

Performance data
Pressure drop P→T

Pressure drop P→A(B)

Pressure drop A(B)→T


SDM105
directional valve with right inlet
Ordering codes
Description example:

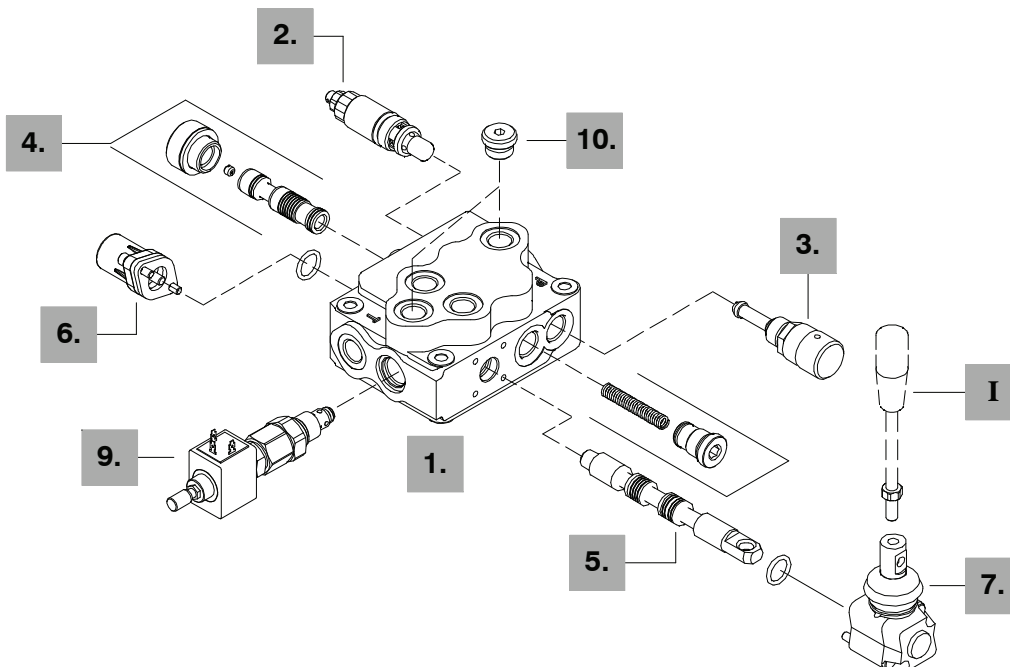
Valve setting in bar

SDM105 / 1 - P (JG3-120) M / 2 10 L / EL-12VDC -

1. 2. 3. 5. 6. 7. 9. 10.

SDM105 / 1 - P (JG3-120) M / 18ES3 / LT - 12VDC

8.


1. Body kit *

TYPE	CODE	DESCRIPTION
1-P	5KC5013000	Parallel, 1 section

Include body and seals.

2. Inlet relief options
page 12

TYPE	CODE	DESCRIPTION
<u>VMD5 direct pressure relief valve type J</u>		
<i>Standard setting is referred to 10 l/min flow.</i>		
(JG2-63)	5KIT105412	Range 40 to 63 bar / 580 to 900 psi standard setting 63 bar / 900 psi
(JG3-120)	5KIT105413	Range 50 to 200 bar / 725 to 2900 psi standard setting 120 bar / 1750 psi
(JG4-220)	5KIT105414	Range 160 to 315 bar / 2300 to 4600 psi standard setting 220 bar / 3200 psi
SV	XTAP623282	Relief valve blanking plug

NOTE (*) - Codes are referred to **BSP** threads.

directional valve with right inlet
SDM105
Ordering codes
3. Flow controls page 124

TYPE	CODE	DESCRIPTION
M	XCAR705211	Continuous fine wheel regulation
G	XCAR705202	Screw regulation with locking nut

4. Compensator kit

TYPE	CODE	DESCRIPTION
-	5CAS316065	Compensator kit

5. Spool options page 125

TYPE	CODE	DESCRIPTION
1	3CU1210730	Double acting, 3 positions, with A and B closed in neutral position
2	3CU1225730	Double acting, 3 positions, with A and B open to tank in neutral position
<u>Special spools for particular positioner kits</u> page 14		
5T	3CU1243701	Double acting, 4 positions, floating circuit in 4 th position with spool out.

6. "A" side spool positioners page 86

TYPE	CODE	DESCRIPTION
8	5V08104000	With spring return in neutral position
8D	5V08104200	With spring return in neutral position and pin with M6 female thread for dual control
8D2	5V08104220	With spring return in neutral position and pin with M8 male thread for dual control
8F2	5V08104101	With spring return in neutral position and adjustable flow limiter
19	5V19104000	2 positions, with spring return in neutral position from position 1
20	5V19104000	2 positions, with spring return in neutral position from position 2
9	5V09104010	With detent in position 1 and spring return in neutral position
10	5V10104011	With detent in position 2 and spring return in neutral position
11	5V11104000	Detent in positions neutral, 1 and 2
12	5V12104000	Detent in positions 1 and 2
15	5V15104000	2 positions, detent in positions 1 and neutral
16	5V16104000	2 positions, detent in positions 2 and neutral
9BZ	5V09204010	With detent in position 1 and spring return in neutral position
10BZ	5V10204010	With detent in position 2 and spring return in neutral position
11BZ	5V11204010	Detent in positions 1 and 2 and spring return in neutral position
8MG3	5V08104660	With spring return in neutral position and microswitch in positions 1 and 2
8P	5V08104701	ON/OFF pneumatic kit
8EP3	5V08104735	ON/OFF 12 VDC electro-pneumatic kit
	5V08104740	ON/OFF 24 VDC electro-pneumatic kit
8ED3	5V08104350	ON/OFF 12 VDC electro-hydraulic kit
	5V08104351	ON/OFF 24 VDC electro-hydraulic kit
<u>Particular positioner kits for special spools</u> page 96		
13QN	5V13404020	4 pos. with spring return in neutral pos. and detent in 4 th pos.: for spool 5T

7. "B" side options page 39

TYPE	CODE	DESCRIPTION
L	5LEV205000	Lever box for M10 handlever (for dimensions see LM10 for SD5 directional valve)
SLP	5COP105000	Without lever box, with dust-proof plate
TQ	5TEL105110	Flexible cable connection

8. Complete controls page 46

 ON/OFF solenoid control type **8ES**.

9. Solenoid pilot unloader valve page

TYPE	CODE	DESCRIPTION
EL-12VDC	YC405305	With 12VDC electric control unloader valve; normally open circuit
EL-24VDC	YC405310	As previous 24VDC
ELC-12VDC	5CAR405330	With 12VDC electric control unloader valve; normally closed circuit
ELC-24VDC	5CAR405331	As previous 24VDC
LT	XTAP523370	Valve blanking plug

10. Inlet and outlet selection * page 79

TYPE	CODE	DESCRIPTION
PSL	3XTAP722160	Side ports; need n.2 G 3/8 plugs, standard configuration (omit in valve description)
PSA	3XTAP722160	Upper ports; need n.2 G 3/8 plugs

I Optional handlevers

TYPE	CODE	DESCRIPTION
AL01/M10x150	170012015	For lever L: height 150 mm / 5.91 in

SDM105

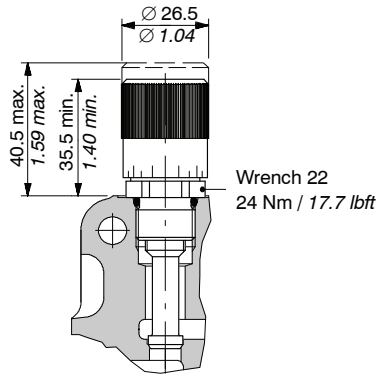
directional valve with right inlet

Flow controls

Pressure compensated flow control with max. regulated flow = 45 l/min.

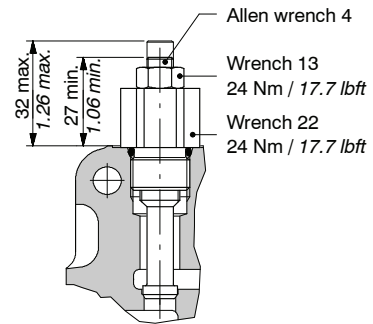
Type M

Continuous fine wheel regulation

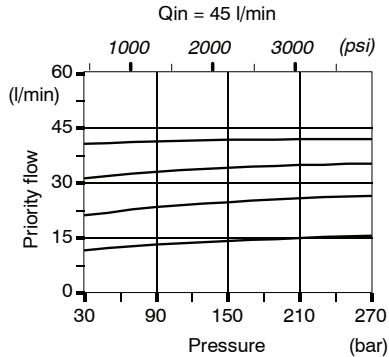


Type G

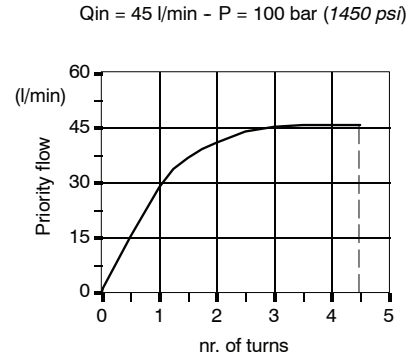
Continuous screw regulation with locking nut.



Pressure-flow diagram



Flow regulation diagram

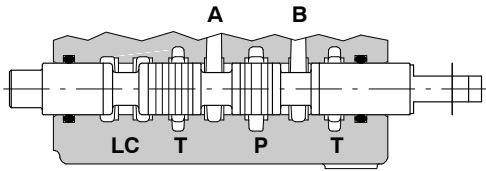


directional valve with right inlet

SDM105

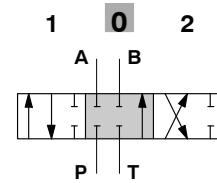
Spool options

Type 1

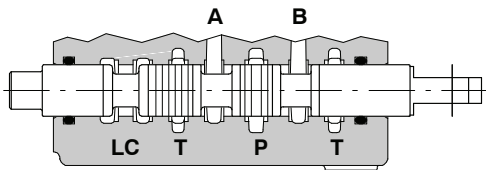


P-A-B-T closed, with flow through line (LC) open

+ 5,5 mm / 0.22 in
(1) ►
◄► (0)
◄ (2)
- 5,5 mm / 0.22 in

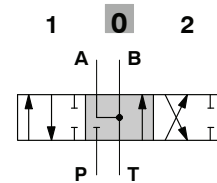


Type 2



P closed, A-B→T, flow through line (LC) open

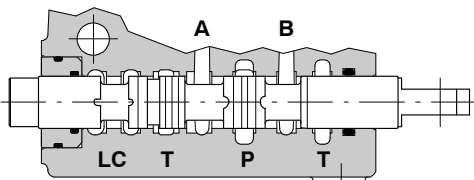
+ 5,5 mm / 0.22 in
(1) ►
◄► (0)
◄ (2)
- 5,5 mm / 0.22 in



Type 5T

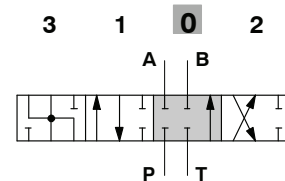
It needs special body with extra machining: for information please contact Sales Department.

This spool must be coupled with positioner type **13QN** (see page 96).



P-A-B-T closed, with flow through line (LC) open

+ 9 mm / 0.35 in
(3) ►►
(1) ► + 4.5 mm / 0.18 in
◄► (0)
◄ (2)
- 4.5 mm / 0.18 in



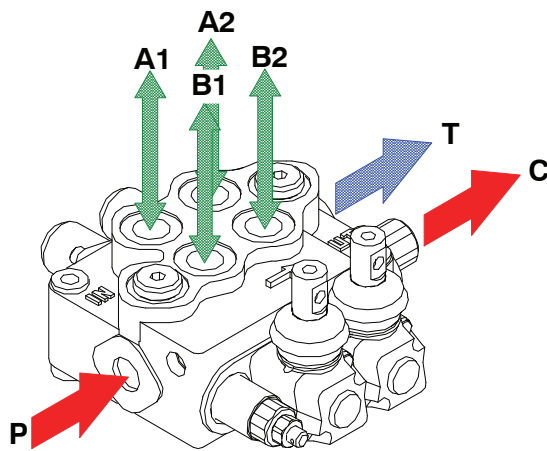
SD5

Installation and maintenance

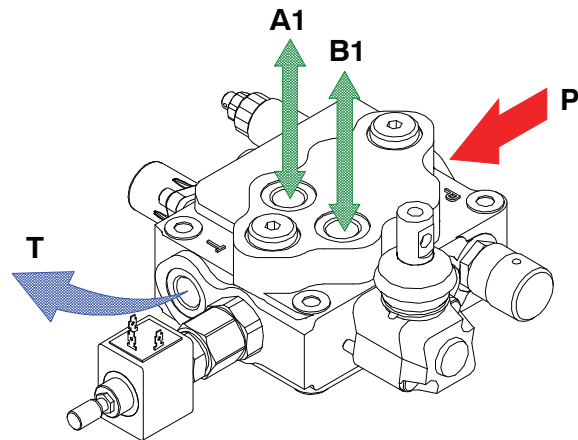
The SD5 valve is assembled and tested as per the technical specification of this catalogue.

Before the final installation on your equipment, follow the below recommendations:

- the valve can be assembled in any position, in order to prevent body deformation and spool sticking mount the product on a flat surface;
- in order to prevent the possibility of water entering the lever box and spool control kit, do not use high pressure wash down directly on the valve;
- prior to painting, ensure plastic port plugs are tightly in place.



**SD5 directional valve
with carry-over configuration**



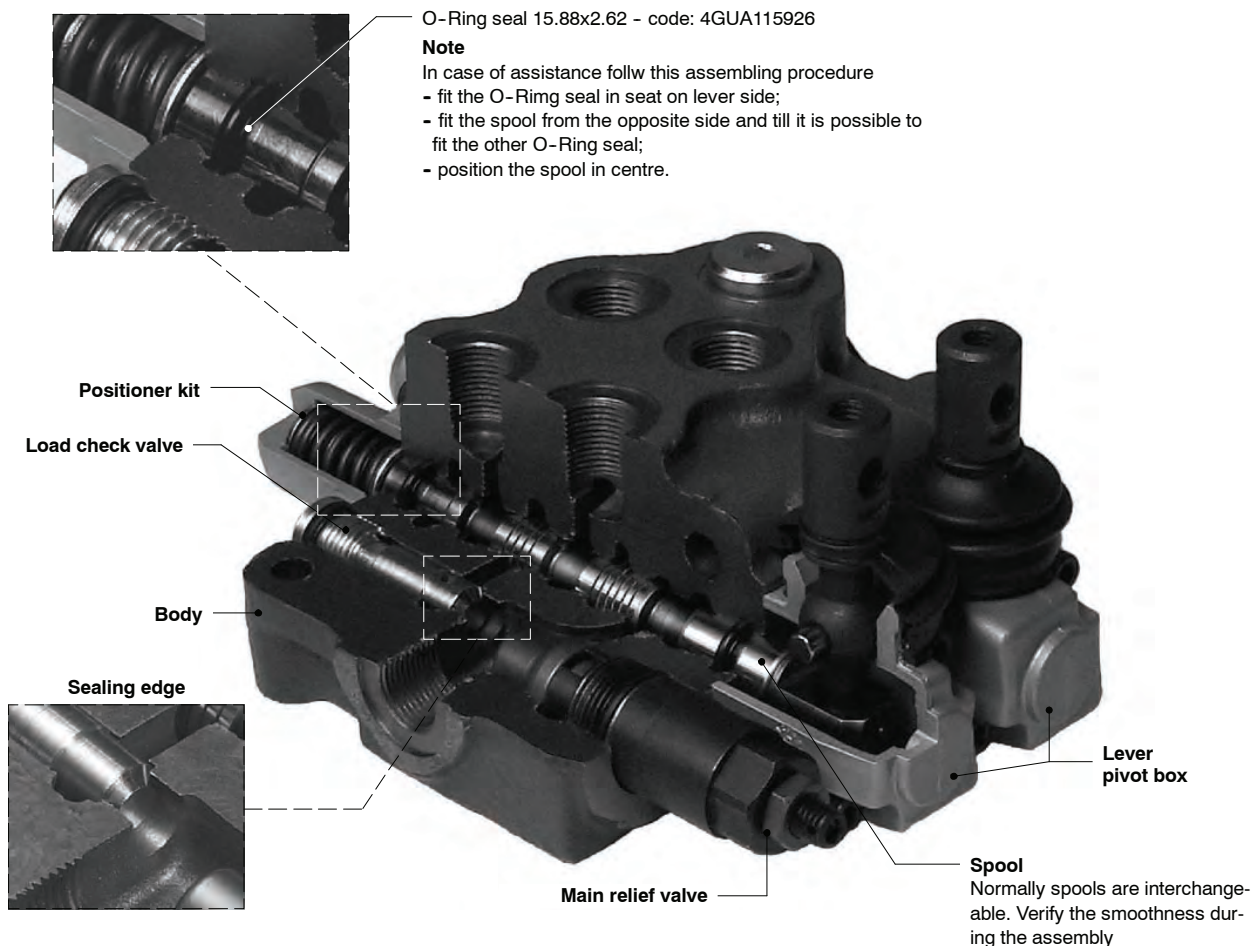
SDM105 directional valve

Fittings tightening torque - Nm / lbft

THREADS TYPE	P and C ports	A and B ports	T port
BSP (ISO 228/1)	G 3/8	G 3/8	G 3/8 (G 1/2 [*])
With O-Ring seal	35 / 25.8	35 / 25.8	35 / 25.8 (50 / 36.9 [*])
With copper washer	40 / 29.5	40 / 29.5	40 / 29.5 (50 / 36.9 [*])
With steel and rubber washer	30 / 22.1	30 / 22.1	30 / 22.1 (50 / 36.9 [*])
UN-UNF (ISO 11926-1)	3/4-16 UNF-2B (SAE 8)	9/16-18 UNF-2B (SAE 6)	3/4-16 UNF-2B (SAE 8)
With O-Ring seal	40 / 29.5	30 / 22.1	30 / 22.1
METRIC (ISO 262)	M18 x 1.5	M18 x 1.5	M18 x 1.5 (M22x1.5 [*])
With O-Ring seal	35 / 25.8	35 / 25.8	35 / 25.8 (50 [*])
With copper washer	40 / 29.5	40 / 29.5	40 / 29.5 (50 [*])
With steel and rubber washer	40 / 29.5	40 / 29.5	40 / 29.5 (50 [*])

(^{*}) - Only for series circuit.

NOTE - These torque are recommended. Assembly tightening torque depends on many factors, including lubrication, coating and surface finish. The manufacturer shall be consulted.

SD5 directional control valve


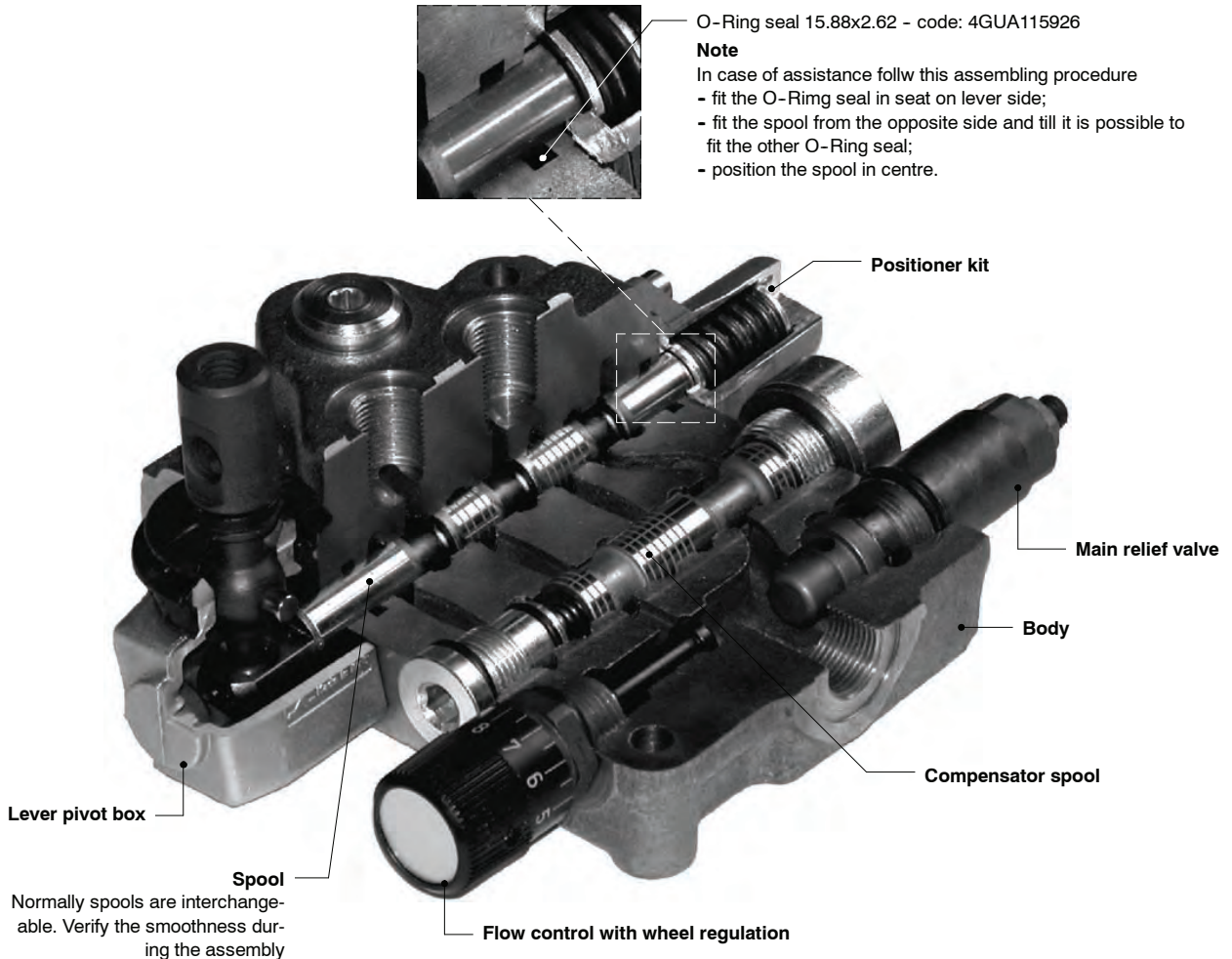
NOTE - All articulated parts inside cap, lever box and mechanical joystick are lubricated with synthetic base grease grade NLGI2

Malfunction	Cause	Remedy
External leakage pivot box lever or control kit side.	Worn spool seal due to mechanical actuation or high back pressure.	Locate the leakage and replace the seal. Check back pressure level.
Excessive internal leakage on A and B ports.	Increase clearance between spools and body due to high wear.	Replace the directional control valve and check the oil contamination level.
Dropping load during transition while raising	High leakage on the load check valve.	Remove the load check valve and clean the seat, verifying it's not dented.
Inability to build pressure on A and B ports.	Pressure relief valve blocked open. Low pump pressure and flow.	Remove and clean or replace the valve. Check the pump and circuit.

SD5

Installation and maintenance

SDM105 directional control valve

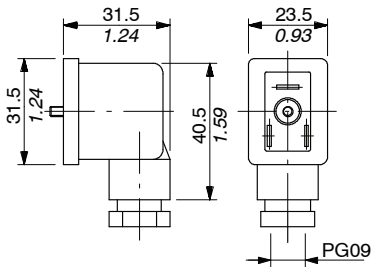


NOTE - All articulated parts inside cap, lever box and mechanical joystick are lubricated with synthetic base grease grade NLGI2

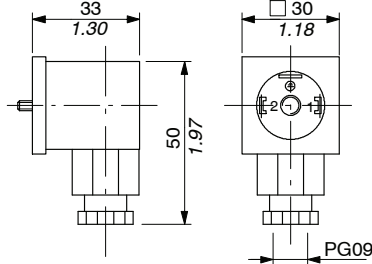
Malfunction	Cause	Remedy
External leakage pivot box lever or control kit side.	Worn spool seal due to mechanical actuation or high back pressure.	Locate the leakage and replace the seal. Check back pressure level.
Excessive internal leakage on A and B ports.	Increase clearance between spools and body due to high wear.	Replace the directional control valve and check the oil contamination level.
	Pressure relief valve blocked open.	Remove and clean or replace the valve.
	Low pump pressure and flow.	Check the pump and circuit.
Inability to build pressure on A and B ports.	Compensator spool is jammed.	Substitute the compensator spool and verify the smoothness during assembly. Check the oil contamination level.
	The flow doesn't vary at the working ports by operating the flow regulator.	Control device of flow regulator is damaged.

Connectors
Type C01 code: 2X1001020

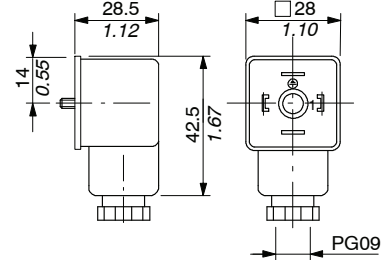
2P+T, according to EN175301-803


Type C02 code: 2X1001010

2P+T according to ISO4400 / EN175301-803

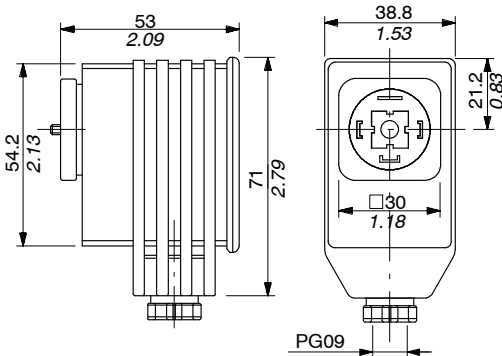

Type C03 code: 2X1001030

3P+T according to ISO4400 / EN175301-803

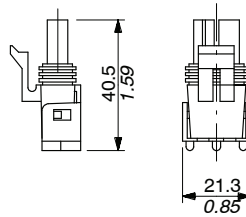

Type C05 code: 2X1001080

3P+T according to ISO4400 / EN175301-803.

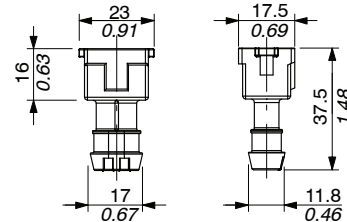
With bridge rectifier, to use with VAC supply.


Type C07 code: 5CON001

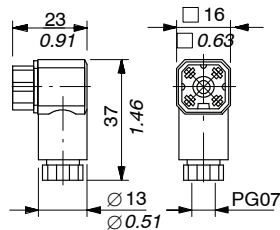
2 poles, type Packard "Weather Pack" 2 poles, type AMP "Junior-Power-Timer" male housing with female ends


Type C08 code: 5CON003

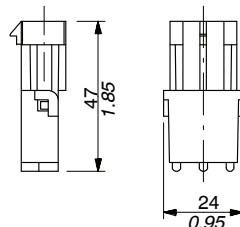
2 poles, type AMP "Junior-Power-Timer" female housing with female ends


Type C11 code: 5CON006

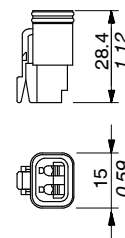
4 poles according to VDE0660-0110


Type C17 code: 5CON005

2 poles, type Packard "Weather Pack" female housing with male ends


Type C19 code: 5CON007

2 poles, type "Deutsch DT06-2S" male housing with female ends



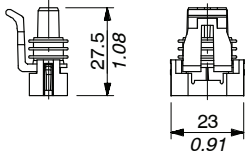
SD5

Accessories

Connectors

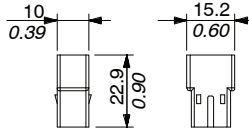
Type C20 code: 5CON017

2 pole, type "PACKARD Metri-Pack"
male housing with female ends



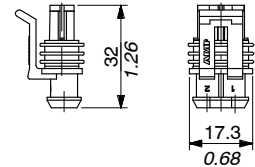
Type C21 code: 5CON018

2 poles, type "AMP Fastin-Faston"
female housing with male ends



Type C24 code: 5CON0031

2 poles, type "AMP Superseal"
male housing with female ends



Type	Poles	Nominal voltage	Nominal current	Permitted conductor section range	Permitted cable diameter range	Weather protection
C01	2P + T	250 VAC / 300 VDC	10 A	max.1.5 mm ² / max.0.0023 in ²	6 to 8 mm / 0.24 to 0.31 in	IP65
C02	2P + T	250 VAC / 300 VDC	10 A	max.1.5 mm ² / max.0.0023 in ²	6 to 8 mm / 0.24 to 0.31 in	IP65
C03	3P + T	250 VAC / 300 VDC	10 A	max.1.5 mm ² / max.0.0023 in ²	6 to 8 mm / 0.24 to 0.31 in	IP65
C05	3P + T	230 VAC	1.5 A	max.1.5 mm ² / max.0.0023 in ²	6 to 8 mm / 0.24 to 0.31 in	IP65
C06	3P + T	250 VAC / 300 VDC	6 A	max.0.75 mm ² / max.0.00116 in ²	3.5 to 6 mm / 0.14 to 0.24 in	IP65
C07	2P	/	20 A	1 to 2 mm ² / 0.00155 to 0.0031 in ²	2.8 to 3.5 mm / 0.11 to 0.14 in	IP67
C08	2P	250 VAC	12 A	0.5 to 1 mm ² / 0.00077 to 0.00155 in ²	1.3 to 1.6 mm / 0.05 to 0.063 in	IP65
C11	4P	50 VAC / 120 VDC	6 A	0.14 to 0.5 mm ² / 0.00022 to 0.00077 in ²	4 to 7.5 mm / 0.16 to 0.29 in	IP65
C17	2P	/	20 A	1 to 2 mm ² / 0.00155 to 0.0031 in ²	1.3 to 1.4 mm / 0.05 to 0.067 in	IP67
C19	2P	/	13 A	1 to 1.2 mm ² / 0.00155 to 0.00186 in ²	2.2 to 3.5 mm / 0.088 to 0.14 in	IP67
C20	2P	/	14 A	0.8 to 1 mm ² / 0.00124 to 0.00155 in ²	1.3 to 1.7 mm / 0.05 to 0.067 in	/
C21	2P	/	7A	0.3 to 0.8 mm ² / 0.00046 to 0.0012 in ²	2.2 to 3 mm / 0.087 to 0.118 in	/
C24	2P	/	14 A	0.3 to 5 mm ² / 0.00046 to 0.00077 in ²	1.4 to 1.7 mm / 0.055 to 0.067 in	IP67

Notes

SD5 valve can be supplied with one coat of black paint (**CVN** configuration).
Description example: SD5/2-P(JG3-120)/18L/18L/AET- <CVN>

NOTE - For different colour consult Sales Department.

DIMENSIONE "A"

Tipo valvola	(mm)
ELN(NA)	67
ELP(NA)	90,5
ELT(NA)	92,5
ELN(NC)	63

SD5

