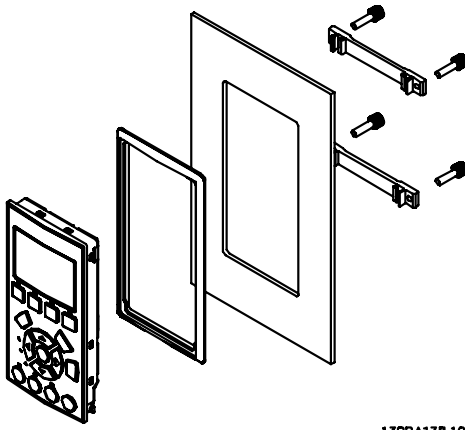


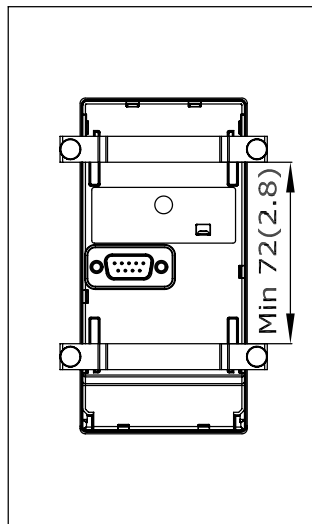
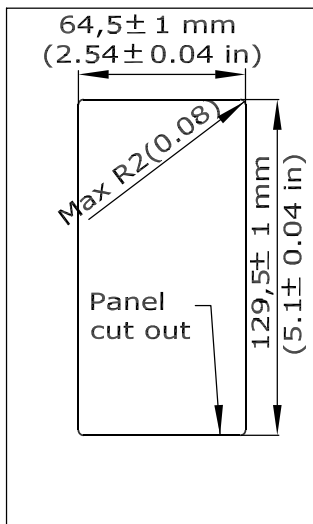
VLT® HVAC Drive FC 100, VLT® AQUA Drive FC 200 and VLT® AutomationDrive FC 300

■ LCP Frontmounting Kit IP55

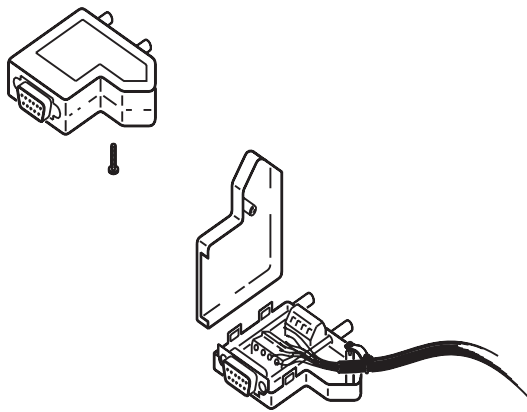
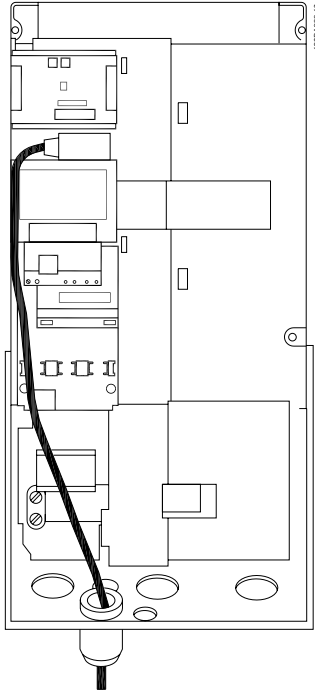


130BA138.10

Installation and Mounting Instructions



130BA139.11

VLT® HVAC Drive FC 100, VLT® AQUA Drive FC 200 and VLT® AutomationDrive FC 300


130BA765.10

| | Dansk | English | Deutsch | Français | |
|---|--------|---------|---------|----------|---|
| A | | | | | B |
| 1 | Grøn | Green | Grün | Vert | 1 |
| 2 | Brun | Brown | Braun | Marron | 2 |
| 3 | Rød | Red | Rot | Rouge | 3 |
| 4 | Gul | Yellow | Gelb | Jaune | 4 |
| 5 | Sort | Black | Schwarz | Noir | 5 |
| 6 | Orange | Orange | Orange | Orange | 6 |
| 7 | Blå | Blue | Blau | Bleu | 7 |
| 8 | Lilla | Purple | Lila | Voilet | 8 |
| 9 | Grå | Grey | Grau | Gris | 9 |

Danfoss can accept no responsibility for possible errors in catalogues, brochures and other printed material. Danfoss reserves the right to alter its products without notice. This also applies to products already on order provided that such alterations can be made without subsequential changes being necessary in specifications already agreed. All trademarks in this material are property of the respective companies. Danfoss and the Danfoss logotype are trademarks of Danfoss A/S. All rights reserved.

