

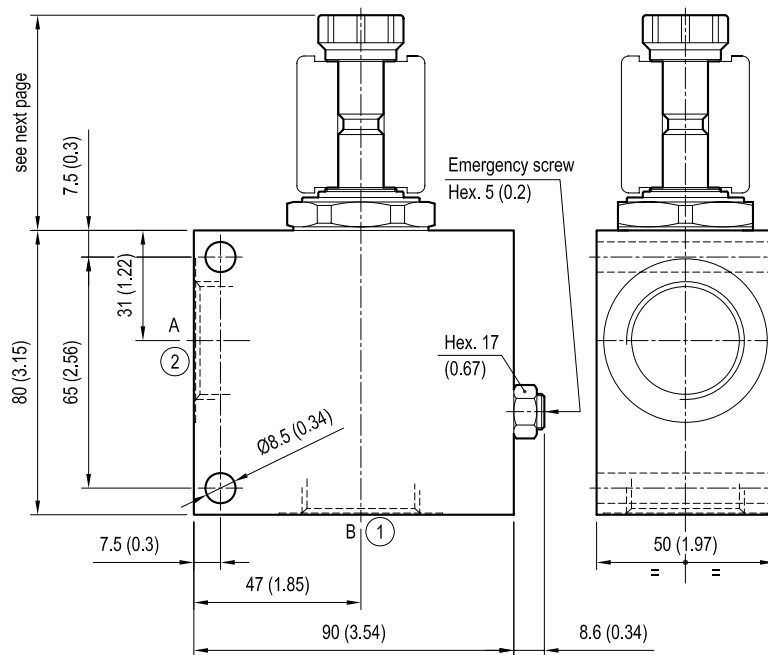
Solenoid operated valves

2-way 2-positions, normally closed

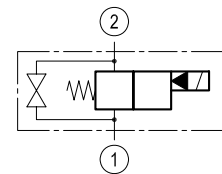
Special cavity
in emergency manifold

VEI-CE-8A-12
OE.15 - K - 21 - Y - Z - W

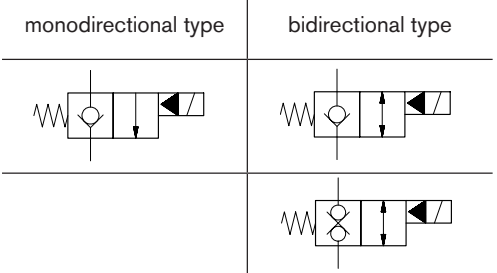
Dimensions



[mm (inches)]



Cartridge schemes



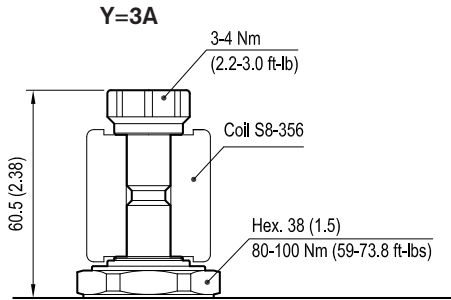
Technical data

Max flow:	up to 150 l/min	(40 gpm)
Max operating pressure for steel body:	350 bar	(5000 psi)
Max operating pressure for aluminium body:	210 bar	(3000 psi)

To order only manifold see data sheet RE 18325-85

Archivierung: 06/2022

Dimensions



[mm (inches)]

CARTRIDGE TECHNICAL DATA

Special cavity: **021-E**

Filtration: 25 µm nominal or better

Minimum voltage required: 90% of nominal value

Coil : **must be ordered separately**
see data sheet RE 18325-90

Mounting position: unrestricted

For other details see cartridge data sheet

OE15	- K -		21	- Y -		- Z -		- W -		CARTRIDGE SCHEME	
	monodir.	bidir.		Rated Flow	Ports size 1-2	Material		monodir.	bidir.		
				150 l/min (40 gpm)	G 1	Aluminium	Steel				
OD15	01	05	21	3A		05	00	S0			
OD15		31	21	3A		05	00	S0			

Archivierung: 06/2022

Performance graphs

