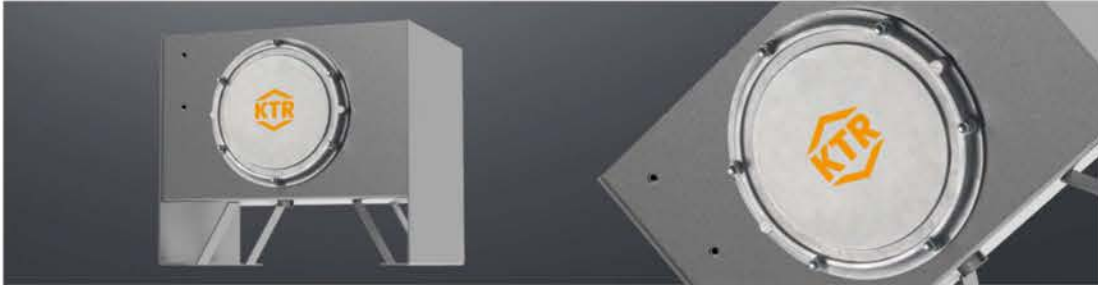
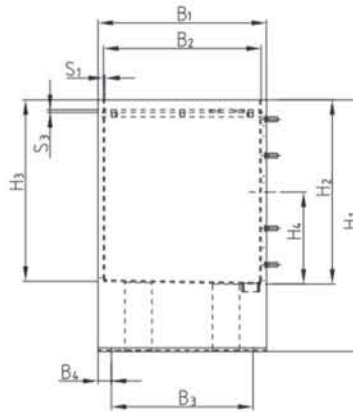
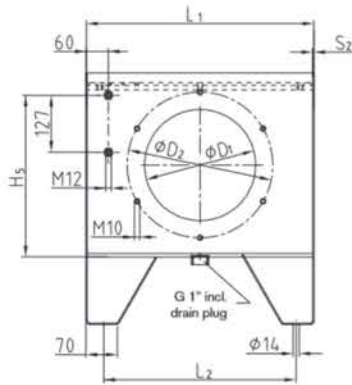


## STEEL TANK BSK HYDRAULIC COMPONENTS

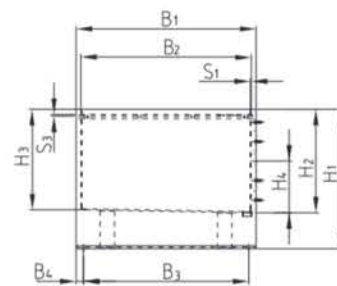
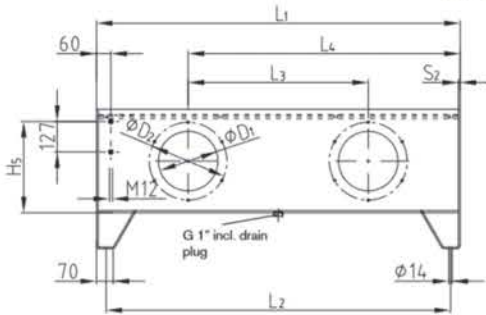
### Series BSK



up to NG 200



from NG 250

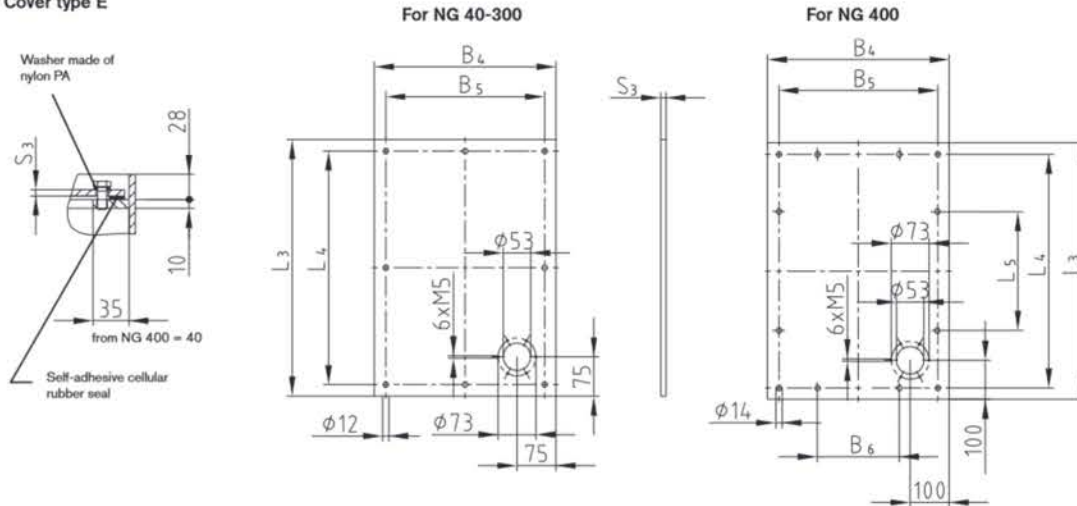


### Series BSK, NG 40 - 400

Order description	Part number	Effective vol. [litre]	Weight [kg]	Tank dimensions [mm]															Cleaning cover		Bore pattern for oil level indicator					
				L1	L2	L3	L4	B1	B2	B3	B4	H1	H2	H3	H4	H5	D1	D2	S1	S2	S3	No.	Type	No.		
BSK 40	270405000000	38	34	508	428	-	-	375	365	315	30	430	280	273	140	230	195	250	3	3	6	1	V 250-4	1		
BSK 83	270635000000	59	38	508	428	-	-	375	365	315	30	560	410	403	205	360			3	3	6	1		1		
BSK 100	271005000000	92	70	633	553	-	-	474	460	414	30	560	407	399	205	357			4	4	6	1		1		
BSK 160	271605000000	152	86	810	730	-	-	604	590	544	30	560	410	400	205	360			4	4	6	1	V 324-6	1		KO02
BSK 200	272005000000	184	101	900	820	-	-	654	640	594	30	560	410	399	205	360	248	324	4	4	6	1		1		
BSK 250	272505000000	235	138	1010	930	410	710	704	690	644	30	580	430	418	215	380			4	4	7	2		1		KO02
BSK 300	273005000000	272	144	1208	1128	410	809	714	700	654	30	580	412	400	206	362			4	4	7	2		1		
BSK 400	274005000000	375	201	1514	1434	750	1132	749	735	689	30	580	430	417	215	380			4	7	7	2		1		

All tanks are available in short term - please contact us.

Ordering example:	BSK	250	E
		KTR standard tank	Nominal size of tank

**Tank cover**  
 Cover type E


Cover type "E"								
NG	Dimensions [mm]							
	L <sub>3</sub>	L <sub>4</sub>	L <sub>5</sub>	B <sub>4</sub>	B <sub>5</sub>	B <sub>6</sub>	S <sub>3</sub>	Number of bores
40	492	448	-	349	305	-	6	8x
63	492	448	-	349	305	-	6	8x
100	615	571	-	442	398	-	6	8x
160	792	748	-	572	528	-	6	8x
200	882	838	-	622	578	-	6	8x
250	992	948	-	672	628	-	7	8x
300	1190	1146	-	682	638	-	7	8x
400	1490	1440	480	717	667	222	7	12x

**Scope of delivery:**

- Bore pattern for filler filter KE02
- Bore pattern for oil level indicator
- Cleaning cover incl. cap nut and gasket
- Cover gasket NBR 15 x 5 self-adhesive
- Cover fastening screws
- Oil drain plug G 1"

**Coating:**

- Our tanks are primed with mineral oil-resistant 2K-EP paint as a standard

**Please contact us:**

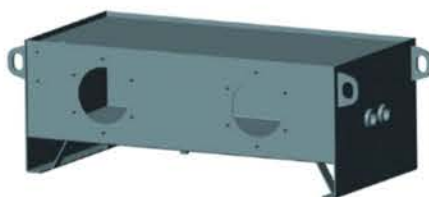
- Tanks are available without tank cover on request

- We will be pleased to paint your tanks as specified by you

- We will be pleased to do remachining for you (e. g. additional sleeves, drilling holes, etc.)

- Accessories such as fillers, oil level indicators, heaters, etc. can be additionally ordered from the KTR scope of delivery

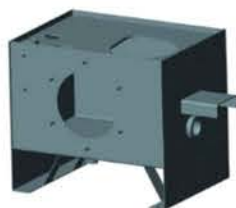
- We are able to produce all tanks made of stainless steel

**Tank BSK with remachining**


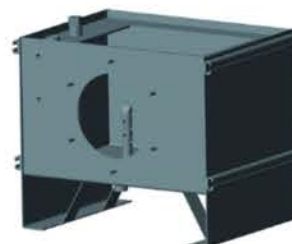
BSK 400



BSK 250



BSK 63



BSK 160