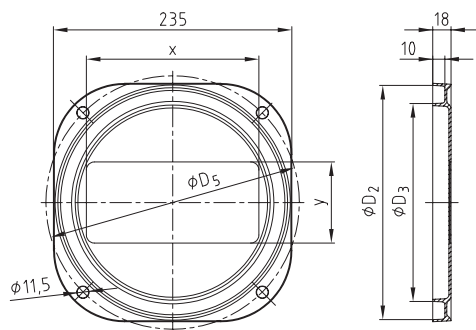


ACCESSORIES FOR OIL TANKS HYDRAULIC COMPONENTS

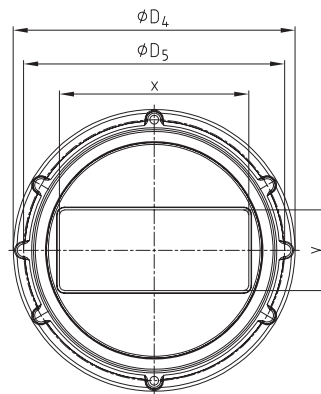
Cleaning cover



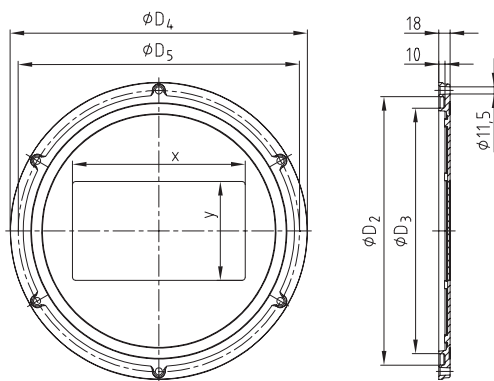
Cleaning cover V250-4 PRD



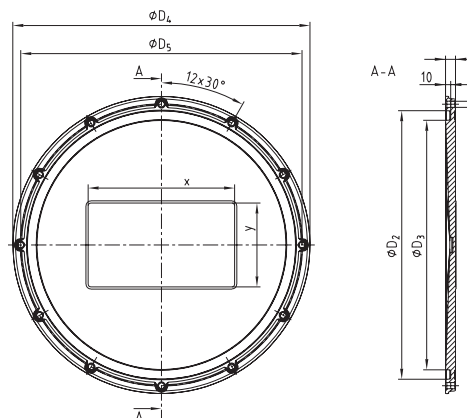
Cleaning cover V324-6 acc. to DIN 24339



Cleaning cover V449-6 acc. to DIN 24339

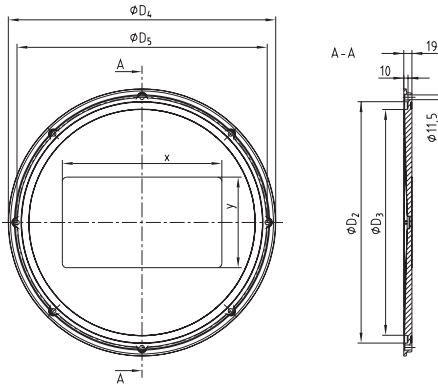
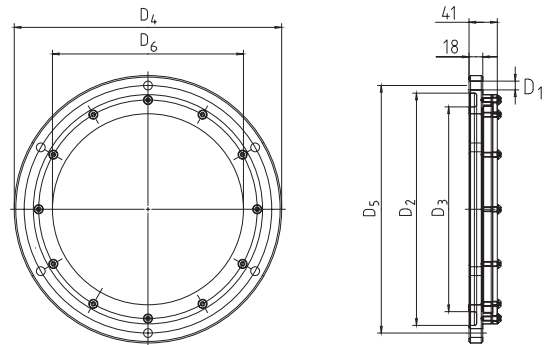


Cleaning cover V530-12



Technical data				
Screw tightening torque	Max. permissible pressure	HFC liquids	Perm. temperature range	Logo
10 Nm	0.5 bar	Order suffix/HFC	-30 °C to +100 °C	On request

Ordering example:	V324-6/W	PRD 393 NBR
	Cleaning cover	Spline seal

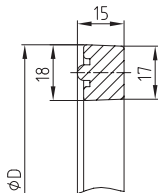
Cleaning cover V580-8

**Cleaning cover
Type W aluminium/polycarbonate (sight glass)**


- Screw tightening torque max. 10 Nm
- Max. permissible pressure = 0.5 bar
- Permissible temperature range type W -20 °C to +90 °C

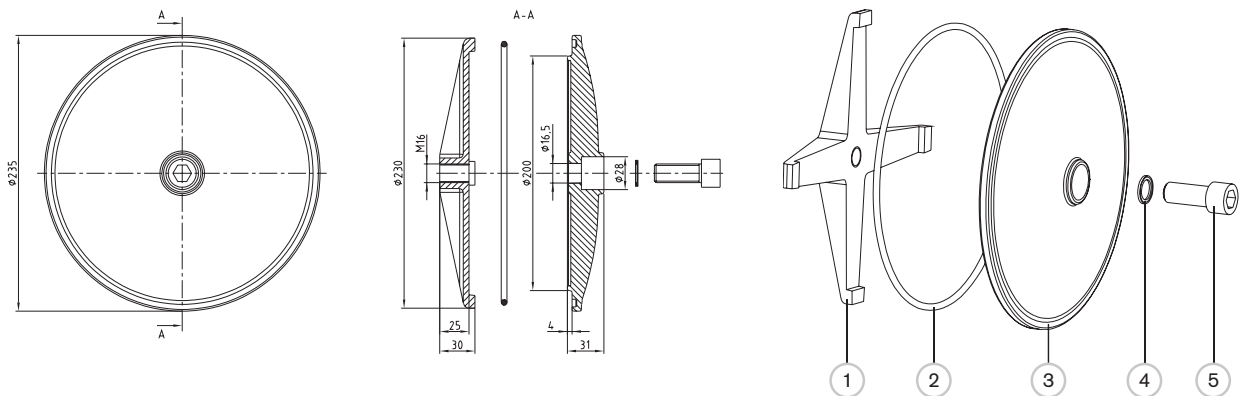
Cleaning cover

Size	Dimensions [mm]								
	D ₁	D	D ₃	D ₄	D ₅	Sight glass	Number of bores	x	y
V250-4 PRD		229	193	-	250	-	4	170	80
V324-6 / V324-6 HFC		304	268	350	324	-		235	100
V324-6 permanent mould *		304	268	350	324	-		-	-
V324-6 /W	11.5	304	268	350	324	Ø250	6	276	158
V449-6 / V449-6 HFC		429	393	475	449	-		276	158
V449-6 /W		429	393	475	449	Ø250		-	-
V530-12 / V530-12 HFC		505	471	560	530	-	12	276	158
V580-8 / V580-8 HFC		560	523	620	580	-	8	370	210

* Cover with mounting by 4 holes on request.


Gaskets for cleaning covers

Size	For cleaning cover	D [mm]
PRD 193 NBR	PRD 193 FKM V250- PRD	229
PRD 268 NBR	PRD 268 FKM V324	304
PRD 393 NBR	PRD 393 FKM V449	429
PRD 471 NBR	- V530	507
PRD 525 NBR	- V580	561
O-ring 214-5 NBR	215-5 FKM V235	224

Cleaning cover V235

List of components:

- 1 Fixing cross
- 2 O-ring 214 x 5
- 3 Cover
- 4 Gasket Usit 22 x 16
- 5 Screw M 16 x 40 tightening torque max. 40 Nm

Perm. temperature range -30 °C to +100 °C