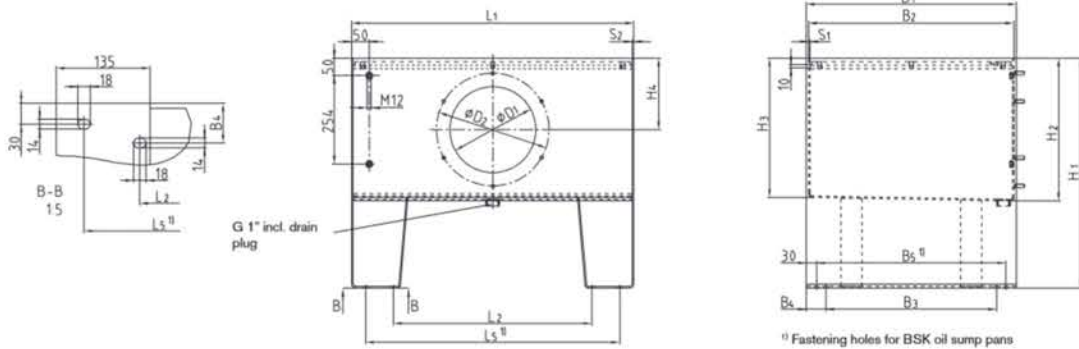


## STEEL TANK TYPE BNK HYDRAULIC COMPONENTS

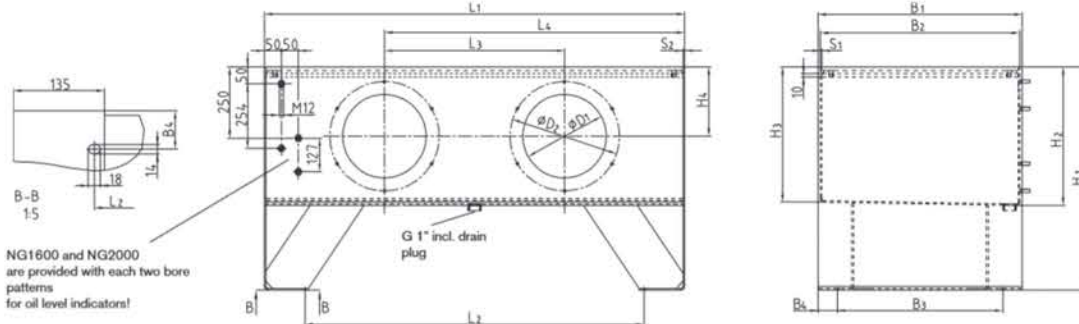
### Series BNK type A (new) DIN24339



up to NG 250



from NG 400



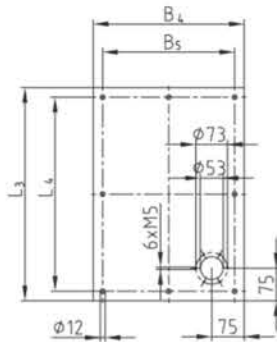
### Series BNK design A, NG 63 - 2000

Order description	Material number	Effective vol. [litre]	Weight [kg]	Tank dimensions [mm]																Cleaning cover		Bore pattern for oil level indicator			
				L1	L2	L3	L4	L5	B1	B2	B3	B4	B5	H1	H2	H3	H4	D1	D2	S1	S2	No.	Type	No.	
BNK 63 A/E	270635109000	59	47	508	308	-	-	428	375	365	285	45	315	660	410	404	205			3	3	1		1	KO03
BNK 100 A/E	271005109000	92	77	633	393	-	-	553	474	460	360	57	414	660	410	402	205			4	4	1		1	KO03
BNK 160 A/E	271605109000	152	109	810	570	-	-	730	604	590	490	57	544	660	410	400	205	248	324	4	4	1	V 324-6	1	KO03
BNK 250 A/E	272505109000	235	149	1010	770	-	-	930	704	690	590	57	644	680	430	418	215			4	4	1		1	KO03
BNK 400 A/E	274005109000	375	230	1512	1274	750	1131	1434	749	735	635	57	689	680	430	417	215			4	6	2		1	KO03
BNK 630 A/E	276305109000	595	300	1512	1274	750	1131	-	959	945	845	57	-	770	520	504	255			4	6	2		1	KO03
BNK 800 A/E	278005109000	752	382	2012	1774	1000	1506	-	914	900	800	57	-	770	520	504	255			5	6	2		1	KO03
BNK 1000 A/E	271015109000	945	445	2012	1774	1000	1506	-	1079	1065	965	57	-	800	550	531	265			5	6	2		1	KO03
BNK 1250 A/E	271255109000	1180	532	2012	1774	1000	1506	-	1349	1335	1235	57	-	800	550	527	265	383	449	5	6	2	V 449-6	1	KO03
BNK 1600 A/E	271615109000	1590	680	2016	1774	1000	1506	-	1444	1430	1330	57	-	900	650	625	325			6	8	2		2	KO03 + KO02
BNK 2000 A/E	272015109000	1960	805	2316	2070	1150	1733	-	1564	1550	1450	57	-	900	650	623	325			6	8	2		2	KO03 + KO02

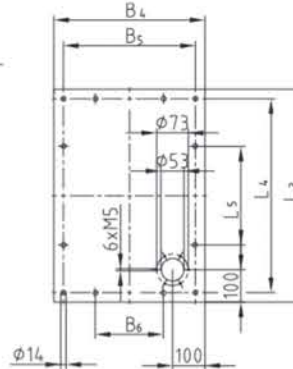
Ordering example:	BNK	250	A	E
	KTR standard tank	Nominal size of tank	Tank design "A"	Cover type "E"

**Tank cover**  
 Cover type E


For NG 63-250



For NG 400-2000



NG	Dimensions [mm]						Number of bores
	L <sub>3</sub>	L <sub>4</sub>	L <sub>5</sub>	B <sub>4</sub>	B <sub>5</sub>	B <sub>6</sub>	
63	492	448	-	349	305	-	8
100	615	571	-	442	398	-	8
160	792	748	-	572	528	-	8
250	992	948	-	672	628	-	8
400	1490	1440	480	717	667	222	12
630	1490	1440	480	927	877	292	12
800	1990	1940	647	880	830	277	12
1000	1990	1940	647	1045	995	332	12
1250	1990	1940	647	1315	1265	422	12
1600	1990	1940	647	1408	1358	478	12
2000	2290	2240	1120	1528	1478	558	14

**Scope of delivery:**

- Bore pattern for filler filter KE02
- Bore pattern for oil level indicator
- Cleaning cover incl. cap nut and gasket
- Cover gasket NBR 15 x 5 self-adhesive
- Cover fastening screws
- Oil drain plug G 1"

**Coating:**

- Our tanks are primed with mineral oil-resistant 2K-EP paint as a standard

**Please contact us:**

- Tanks are available without tank cover on request - stock products
- We will be pleased to paint your tanks as specified by you
- We will be pleased to do remachining for you (e.g. additional sleeves, drilling holes, etc.)
- Z spline (Z30 DIN1027) available as a support frame
- Accessories such as fillers, oil level indicators, heaters, etc. can be additionally ordered from the KTR scope of delivery
- We are able to produce all tanks made of stainless steel

**Series BNK design B / Cover type A**

**Special options:**

- Tank with oil collecting groove and cover welded on with dripping rim
  - This tank is available on request.
- Please contact us.

**Series BNK design A / Cover type C**

**Special options:**

- Tank type with shrink-wrapped cover
  - This tank is available on request.
- Please contact us.

**Tank BNK with remachining**


BNK 1000



BNK 100



BNK 160



BNK 250



BNK 400



BNK 630

 For continuously updated data please refer to our online catalogue at [www.ktr.com](http://www.ktr.com)

75

Archivierung: 01/2023