



aerospace
climate control
electromechanical
filtration
fluid & gas handling
hydraulics
pneumatics
process control
sealing & shielding



DA Series Diaphragm Accumulators

Previously known as ELM Series



ENGINEERING YOUR SUCCESS.

Description

Diaphragm accumulators are inexpensive, compact and lightweight and are ideally suited where weight and space is an important consideration. Ideally suited to Mobile -Agricultural and Construction markets (140 to 350 bar/ 0.075 to 3.5L).

The DA diaphragm accumulator offers a reliable and efficient solution for storing energy under pressure and as an hydraulic spring. Utilizing comprehensive tools and resources including an applications database, CAD/CAM we offer an optimized design and performance membrane accumulator. (all hydraulic accumulators are compliant to 2014/68/EU regulation)

DA diaphragm accumulators (also referred to as membrane accumulators) are gas-loaded accumulators in which separation between the liquid and gas sides is achieved by a flexible diaphragm. They have a compact and lightweight design are available in 2 elastomer mixes; Nitrile and Hydrin (for low temperature working conditions) with a maximum pressure of 350bar (up to 2,8 liters) and volume of 3.5 Litres (up to 250 Bar).

DA accumulator range comes with a bonded seal (BS) fluid port with female or male and female fluid connection and M28x1,5 gas connection.

Accumulator accessories such as Safety Blocks, Clamps, Lock nut, Charging Sets (VGU), can aid the safe installation and operation of the accumulators in any hydraulic system.

Parker Olaer have developed very sophisticated simulation software to optimize sizing recommendations for hydraulic accumulators. You can download the accumulator sizing software from www.Parker.com/acde.

Markets

- **Mobile**
- **Industrial**
- **Defense**
- **Energy**
- **Renewable**
- **Marine**
- **Mining**
- **Oil and Gas**
- **Rail**

Features/Benefits

- **The adaption of a hydraulic shock absorber made up of a diaphragm accumulator improves driver comfort and offers immediate response times when driving over obstacles or rough terrain.**
- **The DA diaphragm accumulator offers a cost effective solution for hydraulic systems.**
- **The DA diaphragm accumulators are PED compliant and can be used in over 35 countries.**
- **The DA diaphragm accumulators offer high compression ratio (up to 8 – according to type)**
- **Low maintenance product**
- **We offer a wealth of product knowledge and experience thus enabling us to provide first class technical support and customer service.**

E-configurable product
 visit Parker.com/acde

Applications

- **Agricultural equipment**
- **Construction equipment**
- **Forestry**
- **Handling/Cranes**
- **Truck**
- **Wind Energy**
- **Hydraulic Power Units**
- **Lubrication Systems**
- **Power Generation**
- **Energy Transmission & Distribution**
- **Defence**
- **Air & Gas Compressors**
- **Entertainment Automation**
- **Moulding**
- **Plastic Presses**
- **Die Casting**
- **Vehicle Assembly Facilities**
- **Machine Tools**

DA Series Technical Characteristics

The technical characteristics are as follows:

Minimum/maximum temperature allowable (° Celsius) :

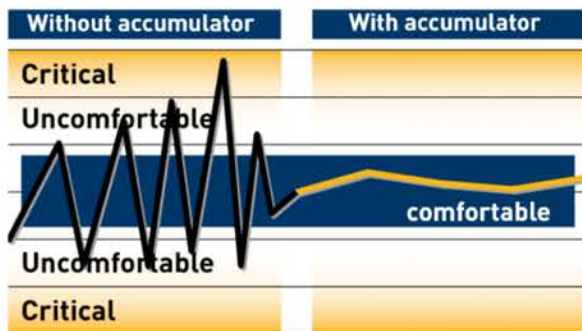
- 20/+80 for standard nitrile elastomers for models between 0.5 < V < 1.4 Litre
- 10/+80 for standard nitrile elastomers for models ≥ 2 Litres and < 0.32 Litre
- 35/+80 for hydrin elastomers

Materials : carbon steel, nitrile or hydrin diaphragm, for other constructions: please consult Parker.

This non-repairable accumulator comprises a shell electron beam welded in carbon steel or stainless steel, nitrile or hydrin diaphragm, for other constructions please consult Parker Olaer.



Comparative cycle for a tractor and its accessories in working conditions !



DA Series: How to order a diaphragm accumulator

DA - 140 - 140 90 A F 11 25 P000
Product Type

DA Diaphragm Accumulators

Volume

007	0,075L
016	0.16L
032	0.32L
050	0.5L
075	0.75L
100	1L
140	1.4L
200	2L
280	2.8L
350	3.5L

Working Pressure

100	100 bar
140	140 bar
210	210 bar
250	250 bar
350	350 bar

Approval

00	PED 2014/68/EU Art. 4.3
90	EC (according to PED 2014/68/EU)

Fluid connection

A	G 1/2"
B	G 3/4"
C	G 1/2" + External thread M33x1,5
D	G 3/4" + External thread M45x1,5

Gas connection

F	M28x1,5
---	---------

Construction

11	Carbon steel shell
----	--------------------

Membrane rubber compound

25	NBR
02	ECO

Precharge

000	No-precharge
XXX	005 to 130bar (Step 5 by 5)



DA Series 140 - 350 BAR, 0.075 to 0.75 Litres

NBR rubber mix (previous known as ELM range)

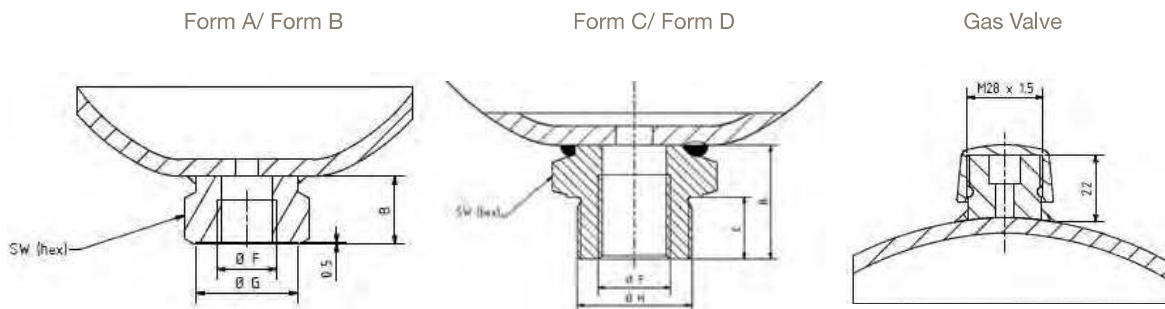
 Standard Version (Carbon steel /mix NBR) compatible with mineral oils (2)
 According to PED 2014/68/EU
 Product, Part numbers, Accessories

E-configurable product
 visit Parker.com/acde

Type Part number	Clamps Model	Lock nut Model	Cross Reference OLAER	Cross Reference ADE
DA-0.075L-250BAR-10849201125 DA-007-25000AF1125PXXX*	-	-	ELM 0.075-250/00/AF* 10849201125	ADE007-25R1A2
DA-0.16L-250BAR-10849301125 DA-016-25000AF1125PXXX*	-	-	ELM 0.16-250/00/AF* 10849301125	ADE016-25R1A2
DA-0.32L-210BAR-10986601125 DA-032-21000AF1125PXXX*	E95 (1) 20250803648	-	ELM 0.32-210/00/AF* 10986601125	ADE032-21R1A2
DA-0.50L-210BAR-10849501125 DA-050-21000AF1125PXXX*	E106 (1) 20250903648	-	ELM 0.5-210/00/AF* 10849501125	ADE050-21R1A2
DA-0.50L-210BAR-10849601125 DA-050-21000CF1125PXXX*	E106 (1) 20250903648	M33x1.5 10945700100	ELM 0.5-210/00/CF* 10849601125	
DA-0.75L-210BAR-10849701125 DA-075-21000AF1125PXXX*	E114 (1) 20251003648	-	ELM 0.75-210/00/AF* 10849701125	ADE075-21R1A2
DA-0.75L-210BAR-10849801125 DA-075-21000CF1125PXXX*	E114 (1) 20251003648	M33x1.5 10945700100	ELM 0.75-210/00/CF* 10849801125	
DA-0.75L-350BAR-10931801125 DA-075-35000AF1125PXXX*	E136 (1) 20251103648	-	ELM 0.75-350/00/AF* 10931801125	
DA-0.75L-350BAR-10931901125 DA-075-35000CF1125PXXX*	E136 (1) 20251103648	M33x1.5 10945700100	ELM 0.75-350/00/CF* 10931901125	

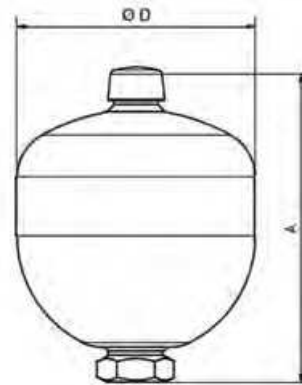
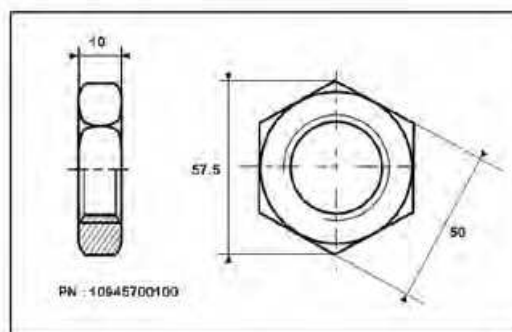
(2) For other fluids consult Parker

* According to Article 4.3 PED 2014/68/EU



Type	Effective Gas vol. Litres	Max. Working pressure (PS) bar	Temp. Min/ Max (°C)	Max. Pre-charge bar	Max compression in bar ratio P2/P0	Max Pressure amplitude P2-P1	Weight kg	Dimensions in mm						Oilport	
								A max Height	B	C	SW	D	G	F	H
DA-0.075L-250BAR-10849201125	0.075	250	-10/+80	130	8	210	0.7	112	20		32	64	29	G½	-
DA-0.16L-250BAR-10849301125	0.16	250	-10/+80	130	6	210	1	120	20		32	75	29	G½	-
DA-0.32L-210BAR-10986601125	0.32	210	-10/+80	130	8	140	1.4	135	20		32	92	29	G½	-
DA-0.50L-210BAR-10849501125	0.5	210	-20/+80	130	8	175	2	153	22		41	107	34	G½	-
DA-0.50L-210BAR-10849601125	0.5	210	-20/+80	130	8	175	2	164	33	18	41	107	-	G½	M33x1.5
DA-0.75L-210BAR-10849701125	0.75	210	-20/+80	130	8	175	2.6	167	22		41	122	34	G½	-
DA-0.75L-210BAR-10849801125	0.75	210	-20/+80	130	8	175	2.6	178	33	18	41	122	-	G½	M33x1.5
DA-0.75L-350BAR-10931801125	0.75	350	-20/+80	130	8	150	4	174	22		41	128	34	G½	-
DA-0.75L-350BAR-10931901125	0.75	350	-20/+80	130	8	150	4	185	33	18	41	128	-	G½	M33x1.5

Lock-nut



DA Series 140 - 350 BAR, 1 to 1.4 Litres

NBR rubber mix (previous known as ELM range)

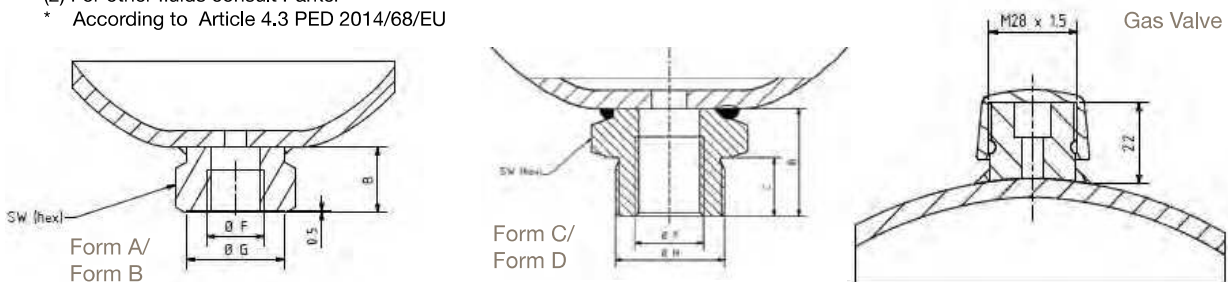
 Standard Version (Carbon steel /mix NBR) compatible with mineral oils (2)
 According to PED 2014/68/EU

E-configurable product
 visit Parker.com/acde

Type Part number	Clamps Model (quantity) Part number	Lock nut Model (quantity) Part number	Cross Reference OLAER	Cross Reference ADE
DA-1.00L-210BAR-10984701125 DA-100-21000AF1125PXXX*	E136 (1) 20251103648	-	ELM 1-210/00/AF* 10984701125	ADE100-21R1A2
DA-1.00L-210BAR-10984801125 DA-100-21000CF1125PXXX*	E136 (1) 20251103648	M33x1.5 10945700100	ELM 1-210/00/CF* 10984801125	
DA-1.00L-350BAR-11110901125 DA-100-35000AF1125PXXX*	E136 (1) 20251103648	-	ELM 1-350/00/AF* 11110901125	
DA-1.00L-350BAR-11111001125 DA-100-35000CF1125PXXX*	E136 (1) 20251103648	M33x1.5 10945700100	ELM 1-350/00/CF* 1111101125	
DA-1.40L-140BAR-10850201125 DA-140-14090AF1125PXXX	E155 (1) 20251203648	-	ELM 1.4-140/90/AF 10850201125	ADE140-14R1C2
DA-1.40L-140BAR-10850301125 DA-140-14090CF1125PXXX	E155 (1) 20251203648	M33x1.5 10945700100	ELM 1.4-140/90/CF 10850301125	
DA-1.40L-210BAR-10996501125 DA-140-21090AF1125PXXX	E155 (1) 20251203648	-	ELM 1.4-210/90/AF 10996501125	
DA-1.40L-210BAR-10996601125 DA-140-21090CF1125PXXX	E155 (1) 20251203648	M33x1.5 10945700100	ELM 1.4-210/90/CF 10996601125	
DA-1.40L-250BAR-11013201125 DA-140-25090AF1125PXXX	E155 (1) 20251203648	-	ELM 1.4-250/90/AF 11013201125	ADE140-25R1C2
DA-1.40L-250BAR-11013301125 DA-140-25090CF1125PXXX	E155 (1) 20251203648	M33x1.5 10945700100	ELM 1.4-250/90/CF 11013301125	
DA-1.40L-350BAR-10932101125 DA-140-35090AF1125PXXX	E160 (1) 20259003648	-	ELM 1.4-350/90/AF 10932101125	
DA-1.40L-350BAR-10932201125 DA-140-35090CF1125PXXX	E160 (1) 20259003648	M33x1.5 10945700100	ELM 1.4-350/90/CF 10932201125	

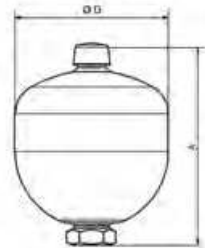
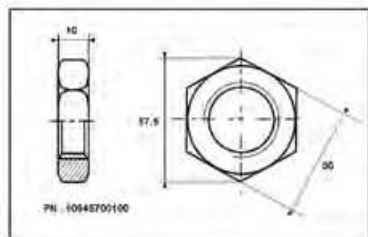
(2) For other fluids consult Parker

* According to Article 4.3 PED 2014/68/EU



Type	Effective Gas vol. Litres	Max. Working pressure (PS) bar	Temp. Min/Max (°C)	Max. Pre-charge bar	Max compression in bar ratio P2/P0	Max Pressure amplitude P2-P1	Weight kg	Dimensions in mm						Oilport	
								A max Height	B	C	SW	D	G	F	H
DA-1.00L-210BAR-10984701125	1	210	-20/+80	130	8	170	3.5	182	22		41	136	34	G½	-
DA-1.00L-210BAR-10984801125	1	210	-20/+80	130	8	170	3.5	192	33	18	41	136	-	G½	M33x1.5
DA-1.00L-350BAR-11110901125	1	350	-10/+80	130	8	150	5	200	22		41	129	34	G½	-
DA-1.00L-350BAR-11111001125	1	350	-10/+80	130	8	150	5	211	33	18	41	129		G½	M33x2
DA-1.40L-140BAR-10850201125	1.4	140	-20/+80	130	8	120	4.2	192	22		41	147	34	G½	-
DA-1.40L-140BAR-10850301125	1.4	140	-20/+80	130	8	120	4.2	203	33	18	41	147	-	G½	M33x1.5
DA-1.40L-210BAR-10996501125	1.4	210	-20/+80	130	8	120	4.2	192	22		41	148	34	G½	-
DA-1.40L-210BAR-10996601125	1.4	210	-20/+80	130	8	120	4.2	203	33	18	41	148	-	G½	M33x1.5
DA-1.40L-250BAR-11013201125	1.4	250	-20/+80	130	8	140	5.4	196	22		41	152	34	G½	
DA-1.40L-250BAR-11013301125	1.4	250	-20/+80	130	8	140	6	207	33	18	41	152	-	G½	M33x1.5
DA-1.40L-350BAR-10932101125	1.4	350	-20/+80	130	8	150	7	199	22		41	156	34	G½	
DA-1.40L-350BAR-10932201125	1.4	350	-20/+80	130	8	150	7	221	44	18	44	156	-	G½	M33x1.5

Lock-nut



DA Series 140 - 350 BAR, 2 to 3.5 Litres

NBR rubber mix (previous known as ELM range)

Standard Version (Carbon steel /mix NBR) compatible with mineral oils (2)

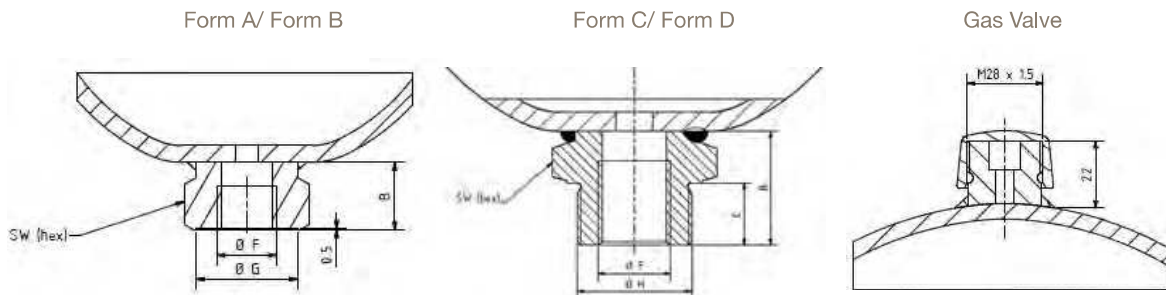
According to PED 2014/68/EU

Product, Part numbers, Accessories

E-configurable product
 visit Parker.com/acde

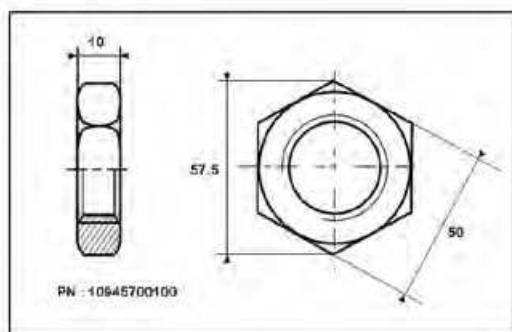
Type Part number	Clamps Model (quantity) Part number	Lock nut Model (quantity) Part number	Cross Reference OLAER	Cross Reference ADE
DA-2.00L-100BAR-10850401125 DA-200-10090AF1125PXXX	E155 (1) 20251203648	-	ELM 2-100/90/AF 10850401125	
DA-2.00L-250BAR-11013401125 DA-200-25090BF1125PXXX	E155 (1) 20251203648	-	ELM 2-250/90/AF 11013401125	
DA-2.00L-350BAR-11006001125 DA-200-35090BF1125PXXX	E160 (1) 20259003648	-	ELM 2-350/90/AF 11006001125	
DA-2.00L-350BAR-11006101125 DA-200-35090DF1125PXXX	E160 (1) 20259003648	M45X1.5	ELM 2-350/90/CF 11006101125	
DA-2.80L-250BAR-10887901125 DA-280-25090BF1125PXXX	E168 (1) 20251303648	-	ELM 2.8-250/90/AF 10887901125	ADE280-25R1C2
DA-2.80L-350BAR-10975801125 DA-280-35090BF1125PXXX	E180 (1) 20243203625	-	ELM 2.8-350/90/AF 10975801125	
DA-2.80L-350BAR-10975901125 DA-280-35090DF1125PXXX	E180 (1) 20243203625	M45X1.5	ELM 2.8-350/90/CF 10975901125	
DA-3.50L-250BAR-10850501125 DA-350-25090BF1125PXXX	E168 (1) 20251303648	-	ELM 3.5-250/90/AF 10850501125	ADE350-25R1C2
MBSP 3,5-350 350-1315-032-711	E180 (1) 20243203625	-	ELM 3.5-350/90/AF 10984901125	
MBSP 3,5-350 350-1315-022-711	E180 (1) 20243203625	M45X1.5	ELM 3.5-350/90/CF 10985001125	

(2) For other fluids consult Parker

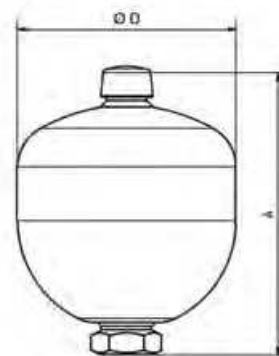


Type Part number	Effective Gas vol. Litres	Max. Working pressure (PS) bar	Temp. Min/ Max (°C)	Max. Pre-charge bar	Max compres- sion in bar ratio P2/P0	Max Pressure amplitude P2-P1	Weight kg	Dimensions in mm						Oilport	
								A max Height	B	C	SW	D	G	F	H
DA-2.00L-100BAR-10850401125	2	100	-10/+80	100	8	80	3.5	241	22		41	145	34	G½	
DA-2.00L-250BAR-11013401125	2	250	-10/+80	130	8	150	9.5	252	22		41	156	33	G3/4	
DA-2.00L-350BAR-11006001125	2	350	-10/+80	130	8	150	9.5	252	22		41	156	33	G3/4	
DA-2.00L-350BAR-11006101125	2	350	-10/+80	130	8	150	9.5	270	40	20	50	156	-	G3/4	M45x1.5
DA-2.80L-250BAR-10887901125	2.8	250	-10/+80	130	6	140	8.5	269	20		41	168	33	G3/4	
DA-2.80L-350BAR-10975801125	2.8	350	-10/+80	130	6	200	14.3	265	23		55	180	34	G3/4	
DA-2.80L-350BAR-10975901125	2.8	350	-10/+80	130	6	200	14.5	286	21	20	55	180	-	G3/4	M45x1.5
DA-3.50L-250BAR-10850501125	3.5	250	-10/+80	130	4	100	10.2	314	20		41	168	33	G3/4	
MBSP 3,5-350	3.5	350	-10/+80	130	4	200	16	305	23		55	180	34	G3/4	
MBSP 3,5-350	3.5	350	-10/+80	130	4	200	16.5	326	26	20	55	180	-	G3/4	M45x1.5

Lock-nut



Above:



DA Series 140 - 350 BAR, 0.075 to 0.75 Litres

ECO rubber mix (previous known as ELM range)

 Standard Version (Carbon steel /mix ECO) compatible with mineral oils (2)
 According to PED 2014/68/EU.

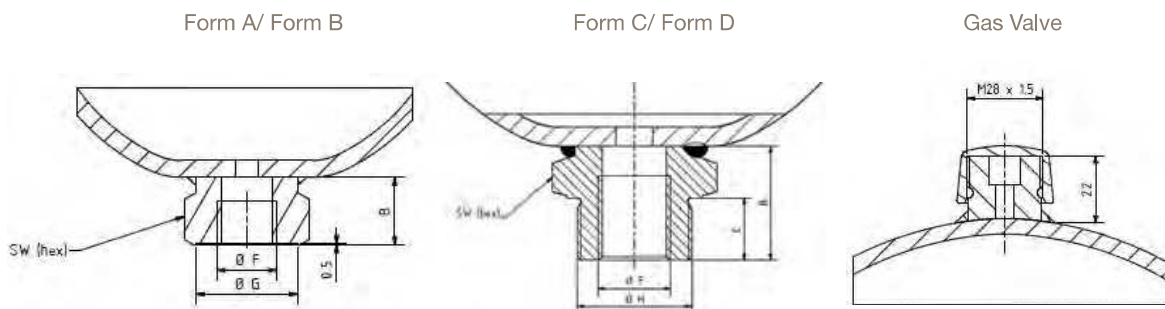
Product, Part numbers, Accessories

E-configurable product
 visit Parker.com/acde

Type Part number	Clamps Model (quantity) Part number	Lock nut Model (quantity) Part number	Cross Reference OLAER	Cross Reference ADE
DA-0.075L-250BAR-10849201102 DA-007-25000AF1102PXXX*	-	-	ELM 0.075-250/00/AF* 10849201102	ADE007-25R9A2
DA-0.16L-250BAR-10849301102 DA-016-25000AF1102PXXX*	-	-	ELM 0.16-250/00/AF* 10849301102	ADE016-25R9A2
DA-0.32L-210BAR-10986601102 DA-032-21000AF1102PXXX*	E95 (1) 20250803648	-	ELM 0.32-210/00/AF* 10986601102	ADE032-21R9A2
DA-0.50L-210BAR-10849501102 DA-050-21000AF1102PXXX*	E106 (1) 20250903648	-	ELM 0.5-210/00/AF* 10849501102	ADE050-21R9A2
DA-0.50L-210BAR-10849601102 DA-050-21000CF1102PXXX*	E106 (1) 20250903648	M33x1.5 10945700100	ELM 0.5-210/00/CF* 10849601102	
DA-0.75L-210BAR-10849701102 DA-075-21000AF1102PXXX*	E114 (1) 20251003648	-	ELM 0.75-210/00/AF* 10849701102	ADE075-21R9A2
DA-0.75L-210BAR-10849801102 DA-075-21000CF1102PXXX*	E114 (1) 20251003648	M33x1.5 10945700100	ELM 0.75-210/00/CF* 10849801102	
DA-0.75L-350BAR-10931801102 DA-075-35000AF1102PXXX*	E136 (1) 20251103648	-	ELM 0.75-350/00/AF* 10931801102	
DA-0.75L-350BAR-10931901102 DA-075-35000CF1102PXXX*	E136 (1) 20251103648	M33x1.5 10945700100	ELM 0.75-350/00/CF* 10931901102	

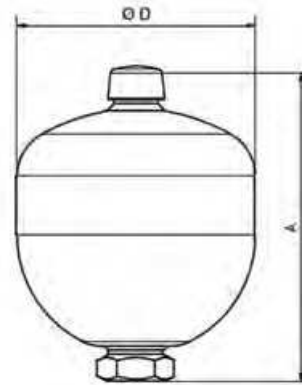
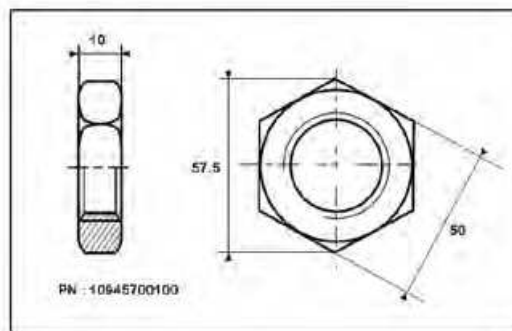
(2) For other fluids consult Parker

* According to Article 4.3 PED 2014/68/EU



Type Part number	Effective Gas vol. Litres	Max. Working pressure (PS) bar	Temp. Min/ Max (°C)	Max. Pre-charge bar	Max compression in bar ratio P2/P0	Max Pressure amplitude P2-P1	Weight kg	Dimensions in mm							Oilport	
								A max Height	B	C	SW	D	G	F	H	
DA-0.075L-250BAR-10849201102	0.075	250	-35/+80	130	8	210	0.7	112	20		32	64	29	G½	-	
DA-0.16L-250BAR-10849301102	0.16	250	-35/+80	130	6	210	1	120	20		32	75	29	G½	-	
DA-0.32L-210BAR-10986601102	0.32	210	-35/+80	130	8	140	1.4	135	20		32	92	29	G½	-	
DA-0.50L-210BAR-10849501102	0.5	210	-35/+80	130	8	175	2	153	22		41	107	34	G½	-	
DA-0.50L-210BAR-10849601102	0.5	210	-35/+80	130	8	175	2	164	33	18	41	107	-	G½	M33x1.5	
DA-0.75L-210BAR-10849701102	0.75	210	-35/+80	130	8	175	2.6	167	22		41	122	34	G½	-	
DA-0.75L-210BAR-10849801102	0.75	210	-35/+80	130	8	175	2.6	178	33	18	41	122	-	G½	M33x1.5	
DA-0.75L-350BAR-10931801102	0.75	350	-35/+80	130	8	150	4	174	22		41	128	34	G½	-	
DA-0.75L-350BAR-10931901102	0.75	350	-35/+80	130	8	150	4	185	33	18	41	128	-	G½	M33x1.5	

Lock-nut



DA Series 140 - 350 BAR, 1 to 1.4 Litres

ECO rubber mix (previous known as ELM range)

Standard Version (Carbon steel /mix ECO) compatible with mineral oils (2)
 According to PED 2014/68/EU.

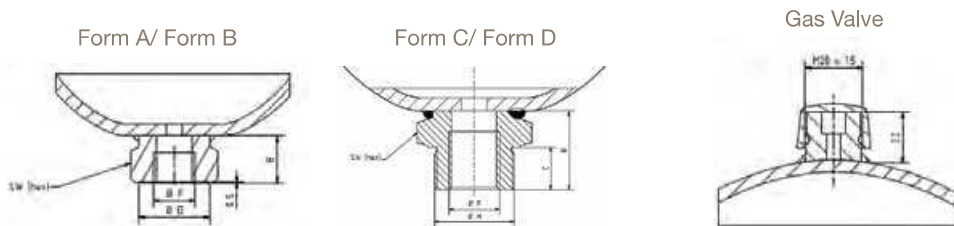
Product, Part numbers, Accessories

E-configurable product
 visit Parker.com/acde

Type Part number	Clamps Model (quantity) Part number	Lock nut Model (quantity) Part number	Cross Reference OLAER	Cross Reference ADE
DA-1.00L-210BAR-10984701102 DA-100-21000AF1102PXXX*	E136 (1) 20251103648	-	ELM 1-210/00/AF* 10984701102	ADE100-21R9A2
DA-1.00L-210BAR-10984801102 DA-100-21000CF1102PXXX*	E136 (1) 20251103648	M33x1.5 10945700100	ELM 1-210/00/CF* 10984801102	
DA-1.00L-350BAR-11110901102 DA-100-35000AF1102PXXX*	E136 (1) 20251103648	-	ELM 1-350/00/AF* 11110901102	
DA-1.00L-350BAR-11111001102 DA-100-35000CF1102PXXX*	E136 (1) 20251103648	M33x1.5 10945700100	ELM 1-350/00/CF* 11111001102	
DA-1.40L-140BAR-10850201102 DA-140-14090AF1102PXXX	E155 (1) 20251203648	-	ELM 1.4-140/90/AF 10850201102	ADE140-14R9C2
DA-1.40L-140BAR-10850301102 DA-140-14090CF1102PXXX	E155 (1) 20251203648	M33x1.5 10945700100	ELM 1.4-140/90/CF 10850301102	
DA-1.40L-210BAR-10996501102 DA-140-21090AF1102PXXX	E155 (1) 20251203648	-	ELM 1.4-210/90/AF 10996501102	
DA-1.40L-210BAR-10996601102 DA-140-21090CF1102PXXX	E155 (1) 20251203648	M33x1.5 10945700100	ELM 1.4-210/90/CF 10996601102	
DA-1.40L-250BAR-11013201102 DA-140-25090AF1102PXXX	E155 (1) 20251203648	-	ELM 1.4-250/90/AF 11013201102	ADE140-25R9C2
DA-1.40L-250BAR-11013301102 DA-140-25090CF1102PXXX	E155 (1) 20251203648	M33x1.5 10945700100	ELM 1.4-250/90/CF 11013301102	
DA-1.40L-350BAR-10932101102 DA-140-35090AF1102PXXX	E160 (1) 20259003648	-	ELM 1.4-350/90/AF 10932101102	
DA-1.40L-350BAR-10932201102 DA-140-35090CF1102PXXX	E160 (1) 20259003648	M33x1.5 10945700100	ELM 1.4-350/90/CF 10932201102	

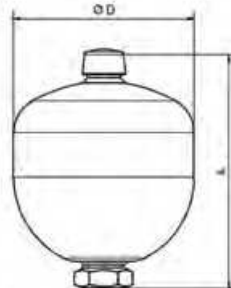
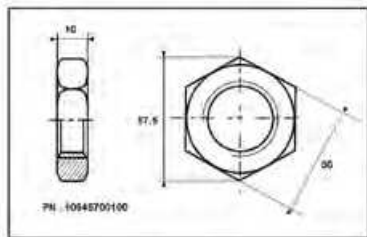
(2) For other fluids consult Parker

* According to Article 4.3 PED 2014/68/EU



Type Part number	Effective Gas vol. Litres	Max. Working pressure (PS) bar	Temp. Min/ Max (°C)	Max. Pre-charge bar	Max compression in bar ratio P2/P0	Max Pressure amplitude P2-P1	Weight kg	Dimensions in mm						Oilport	
								A max Height	B	C	SW	D	G	F	H
DA-1.00L-210BAR-10984701102	1	210	-35/+80	130	8	170	4	182	22		41	136	34	G½	-
DA-1.00L-210BAR-10984801102	1	210	-35/+80	130	8	170	4	192	33	18	41	136	-	G½	M33x1.5
DA-1.00L-350BAR-11110901102	1	350	-35/+80	130	8	150	5	200	22		41	129	34	G½	-
DA-1.00L-350BAR-11110011102	1	350	-35/+80	130	8	150	5	211	33	18	41	129		G½	M33x2
DA-1.40L-140BAR-10850201102	1	140	-35/+80	130	8	120	4	192	22		41	147	34	G½	-
DA-1.40L-140BAR-10850301102	1	140	-35/+80	130	8	120	4	203	33	18	41	147	-	G½	M33x1.5
DA-1.40L-210BAR-10996501102	1	210	-35/+80	130	8	120	4	192	22		41	148	34	G½	-
DA-1.40L-210BAR-10996601102	1	210	-35/+80	130	8	120	4	203	33	18	41	148	-	G½	M33x1.5
DA-1.40L-250BAR-11013201102	1	250	-35/+80	130	8	140	5	196	22		41	152	34	G½	
DA-1.40L-250BAR-11013301102	1	250	-35/+80	130	8	140	6	207	33	18	41	152	-	G½	M33x1.5
DA-1.40L-350BAR-10932101102	1	350	-35/+80	130	8	150	7	199	22		41	156	34	G½	
DA-1.40L-350BAR-10932201102	1	350	-35/+80	130	8	150	7	221	44	18	44	156	-	G½	M33x1.5

Lock-nut



DA Series 140 - 350 BAR, 2 to 3.5 Litres

ECO rubber mix (previous known as ELM range)

Standard Version (Carbon steel /mix ECO) compatible with mineral oils (2)
 According to PED 2014/68/EU.

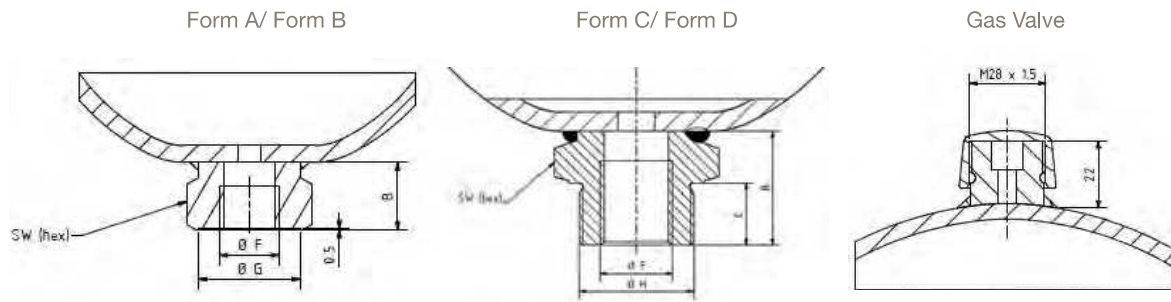
Product, Part numbers, Accessories

E-configurable product
 visit Parker.com/acde

Type Part number	Clamps Model (quantity) Part number	Lock nut Model (quantity) Part number	Cross Reference OLAER	Cross Reference ADE
DA-2.00L-100BAR-10850401102 DA-200-10090AF1102PXXX	E155 (1) 20251203648	-	ELM 2-100/90/AF 10850401102	
DA-2.00L-250BAR-11013401102 DA-200-25090BF1102PXXX	E155 (1) 20251203648	-	ELM 2-250/90/AF 11013401102	
DA-2.00L-350BAR-11006001102 DA-200-35090BF1102PXXX	E160 (1) 20259003648	-	ELM 2-350/90/AF 11006001102	
DA-2.00L-350BAR-11006101102 DA-200-35090DF1102PXXX	E160 (1) 20259003648	M45X1.5	ELM 2-350/90/CF 11006101102	
DA-2.80L-250BAR-10887901102 DA-280-25090BF1102PXXX	E168 (1) 20251303648	-	ELM 2.8-250/90/AF 10887901102	ADE280-25R9C2
DA-2.80L-350BAR-10975801102 DA-280-35090BF1102PXXX	E180 (1) 20243203625	-	ELM 2.8-350/90/AF 10975801102	
DA-2.80L-350BAR-10975901102 DA-280-35090DF1102PXXX	E180 (1) 20243203625	M45X1.5	ELM 2.8-350/90/CF 10975901102	
DA-3.50L-250BAR-10850501102 DA-350-25090BF1102PXXX	E168 (1) 20251303648	-	ELM 3.5-250/90/AF 10850501102	ADE350-25R9C2
MBSP 3,5-350 350-1315-032-741	E180 (1) 20243203625	-	ELM 3.5-350/90/AF 10984901102	
MBSP 3,5-350 350-1315-022-741	E180 (1) 20243203625	M45X1.5	ELM 3.5-350/90/CF 10985001102	

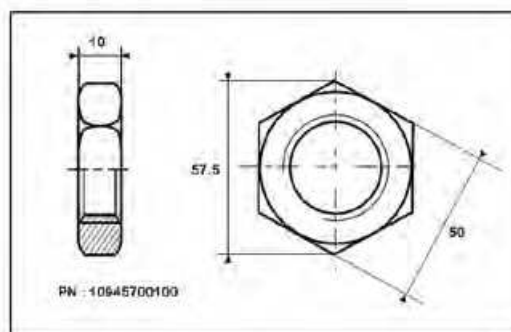
(2) For other fluids consult Parker

* According to Article 4.3 PED 2014/68/EU



Type Part number	Effective Gas vol. Litres	Max. Working pressure (PS) bar	Temp. Min/ Max (°C)	Max. Pre-charge bar	Max compression in bar ratio P2/P0	Max Pressure amplitude P2-P1	Weight kg	Dimensions in mm							Oilport	
								A max Height	B	C	SW	D	G	F	H	
DA-2.00L-100BAR-10850401102	2.0	100	-35/+80	100	8	80	3.50	241	22		41	145	34	G½		
DA-2.00L-250BAR-11013401102	2.0	250	-35/+80	130	8	150	9.50	252	22		41	156	33	G3/4		
DA-2.00L-350BAR-11006001102	2.0	350	-35/+80	130	8	150	9.50	252	22		41	156	33	G3/4		
DA-2.00L-350BAR-11006101102	2.0	350	-35/+80	130	8	150	9.50	270	40	20	50	156	-	G3/4	M45x1.5	
DA-2.80L-250BAR-10887901102	2.8	250	-35/+80	130	6	140	8.50	269	20		41	168	33	G3/4		
DA-2.80L-350BAR-10975801102	2.8	350	-35/+80	130	6	200	14.30	265	23		55	180	34	G3/4		
DA-2.80L-350BAR-10975901102	2.8	350	-35/+80	130	6	200	14.50	286	21	20	55	180	-	G3/4	M45x1.5	
DA-3.50L-250BAR-10850501102	3.5	250	-35/+80	130	4	100	10.20	314	20		41	168	33	G3/4		
MBSP 3,5-350	3.5	350	-35/+80	130	4	200	16.00	305	23		55	180	34	G3/4		
MBSP 3,5-350	3.5	350	-35/+80	130	4	200	16.50	326	26	20	55	180	-	G3/4	M45x1.5	

Lock-nut



Above

