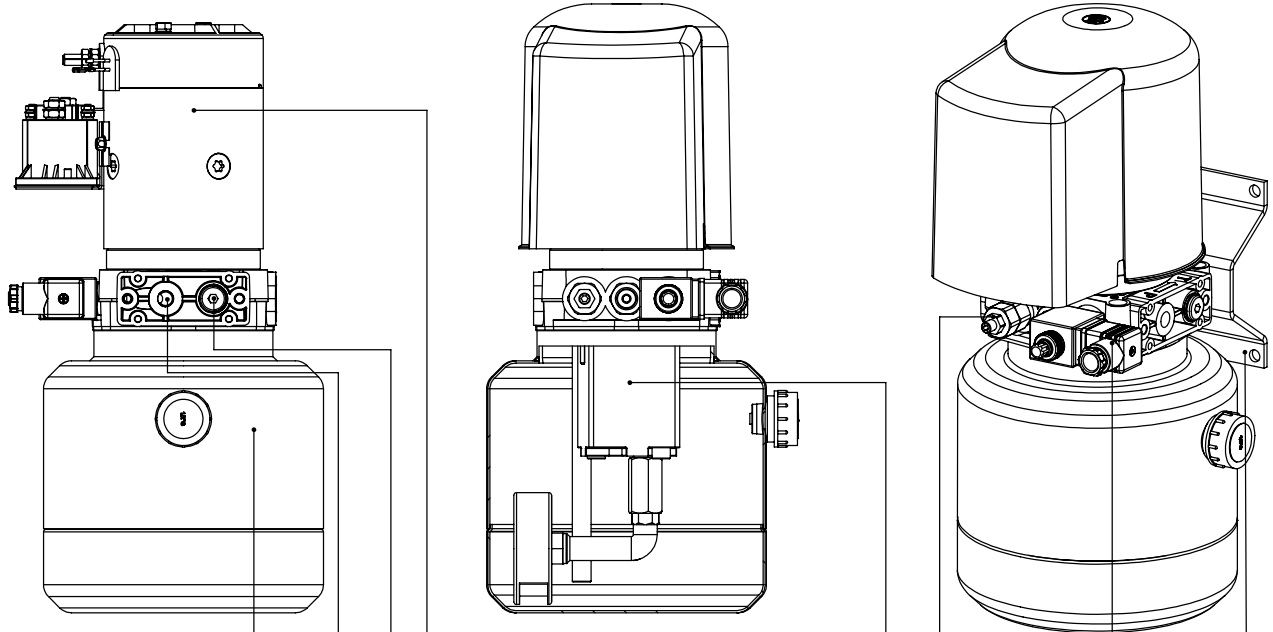


**Compact hydraulic power pack NHY-K-5-4,5-230-2,2/24/24V=  
Art.No. 50400000**



Steel tank

Pressure connection P

Tank connection T (optional)

Electric motor

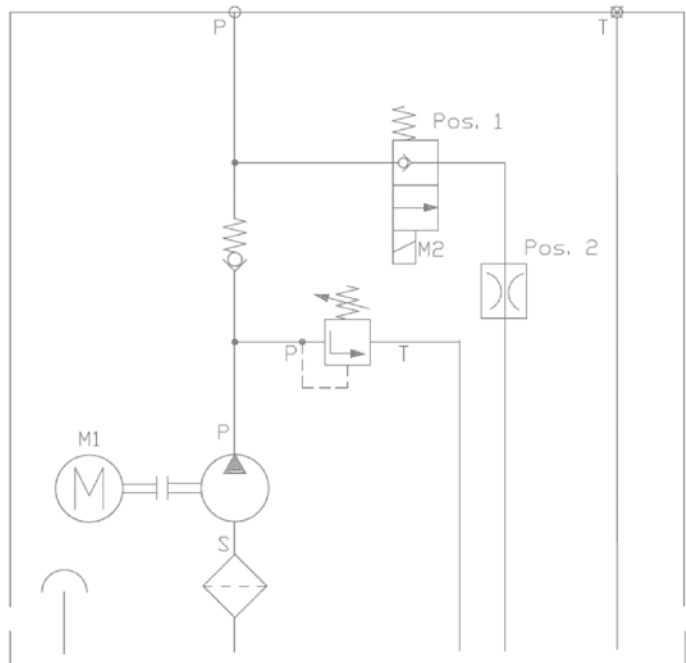
Gear pump

Pressure relief valve

Way valve

Aggregate mounting

Circuit diagram:



Medium: HLP46

Operating temperature: 0°C - 55°C

max. operating pressure: 230bar

## Technical data

### Steel tank

V=5L

### Pressure connection P

G1/4 inch

### Tank connection T

G1/4 inch

### E-Motor

2,2kW 24V DC incl. starting relay 200A

### Gear pump

1.6 cc/rev (Q=approx.4.5 l/min at 230bar)

### Pressure relief valve

set to p max. 230bar

### Valve option Pos. 1

Art. No. 50410003 2/2 way valve, normally open

### Valve option Pos. 2

Art. No. 5041006 lowering throttle valve 1l/min, not adjustable

Art. No. 5041007 lowering throttle valve 2l/min, not adjustable

Art. No. 5041008 lowering throttle valve 4l/min, not adjustable

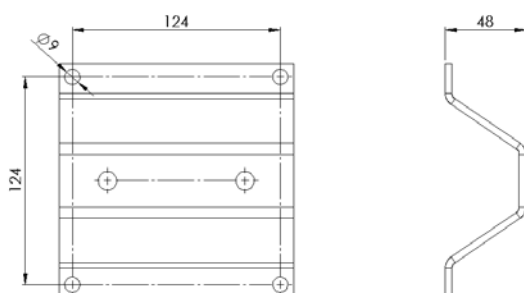
### Valve coil

Art. No. 50410000 Valve coil 24V DC

Art. No. 50410001 Valve coil 220V RAC

### Aggregate mounting

Art. No. 50410009 Aggregate mounting



### Electrical control

Electrical control

Art. No. 50410010 Cable remote control for electric motor 24V DC and 2/2 way valve (24V DC)

Supply voltage by customer

### Mounting position

For horizontal installation, filling must be Connection pointing upwards

