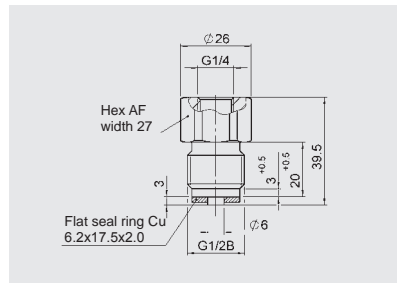


HYDAC INTERNATIONAL

Accessories for sensors

Mounting and installation

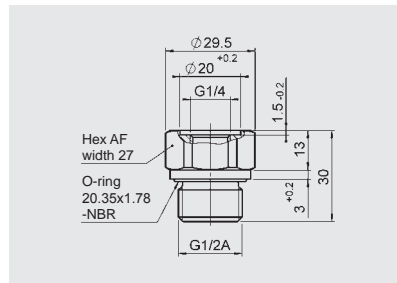
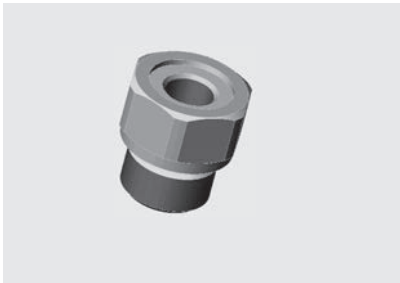
Adapters for pressure sensors:



ZBM 01

Adapter female thread G1/4 –
male thread G1/2 B,
DIN EN 837-1

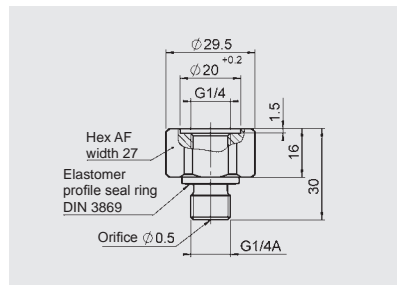
Part no.: 257276



ZBM 02

Adapter female thread G1/4 –
male thread G1/2 A,
ISO 1179-2

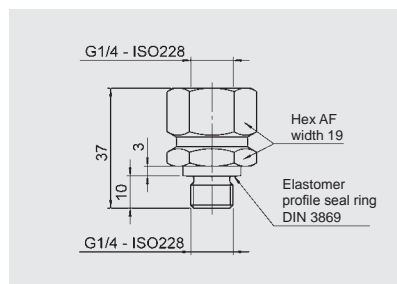
Part no.: 257277



ZBM 13

Adapter female thread G1/4 –
male thread G1/4 A,
with orifice 0.5 mm

Part no.: 906968



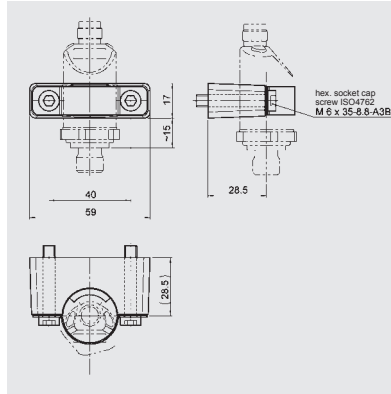
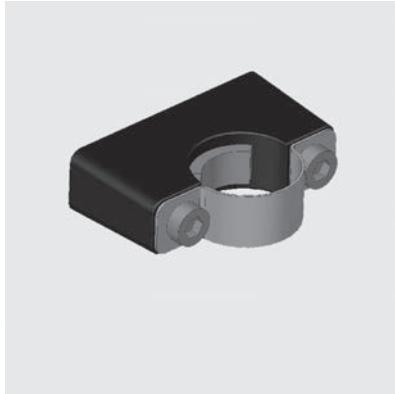
ZBM 14

Adapter female thread G1/4 –
male thread G1/4 (rotating)

Part no.: 907818

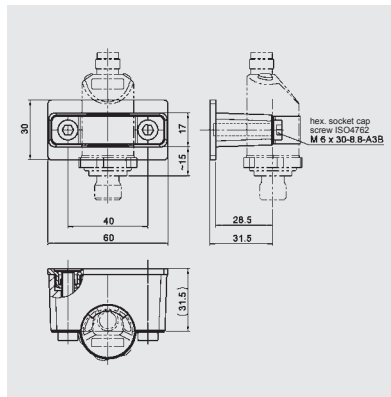
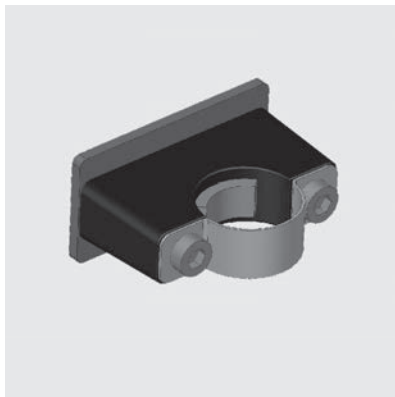


Mounting accessories for HDA 8000, EDS 8000 and EDS 810:



ZBM 8000

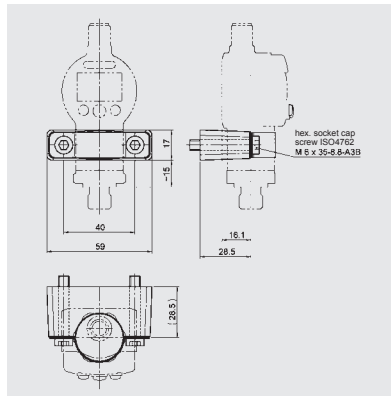
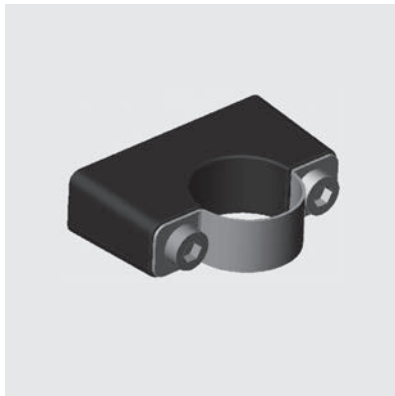
Clamp for wall-mounting
– screw-type fitting –
(Material of lower section:
TPE Santoprene 10187;
Material of top section:
steel strip DIN 95381-1.4571)
Part no.: 3546755



ZBM 8100

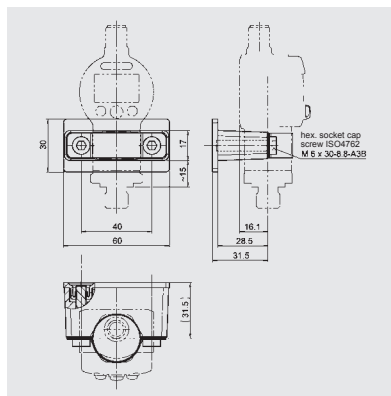
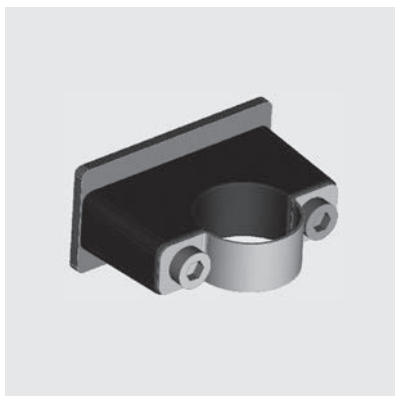
Clamp for wall-mounting
– weld-type fitting –
(Material of welding bridge:
QSTE340TM, zinc coating
EN 12329 FE/ZN8/B;
Material of lower section:
TPE Santoprene 10187;
Material of top section:
steel strip DIN 95381-1.4571)
Part no.: 3546757

Mounting accessories for EDS 3000, ETS 3000, AS 3000, ENS 3000 and HNS 3000:



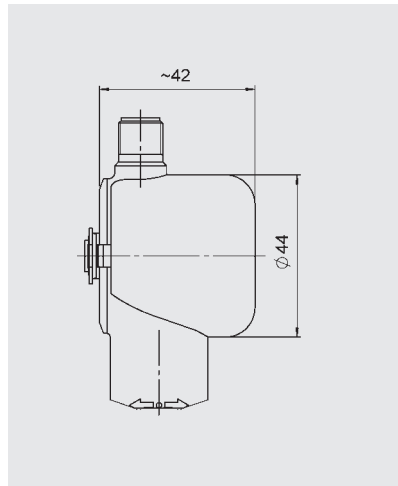
ZBM 3000

Clamp for wall-mounting
– screw-type fitting –
(Material of lower section:
TPE Santoprene 10187;
Material of top section:
steel strip DIN 95381-1.4571)
Part no.: 3184630



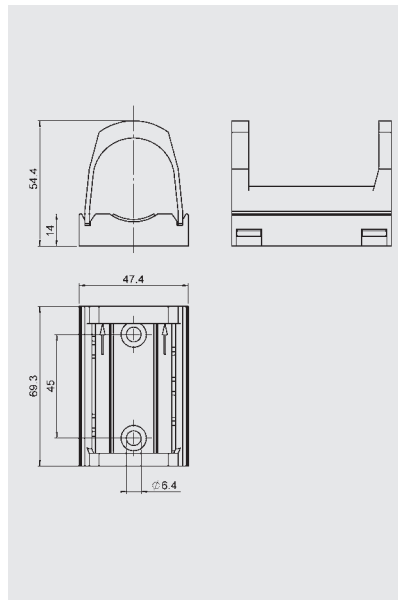
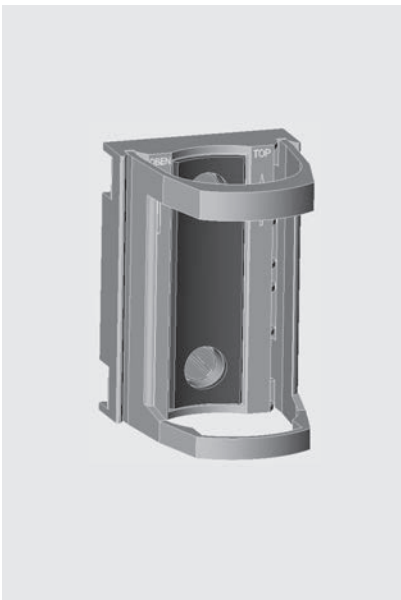
ZBM 3100

Clamp for wall-mounting
– weld-type fitting –
(Material of welding bridge:
QSTE340TM, zinc coating
EN 12329 FE/ZN8/B;
Material of lower section:
TPE Santoprene 10187;
Material of top section:
steel strip DIN 95381-1.4571)
Part no.: 3184632

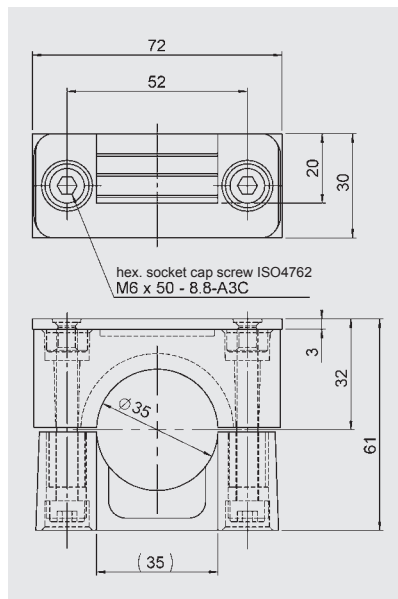
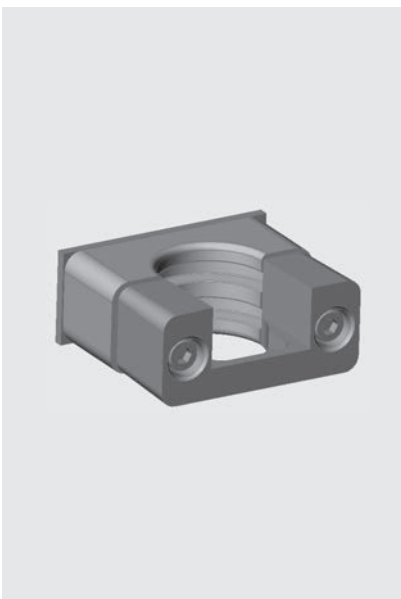


ZBM 3200
Splash guard
(Material: Elastollan S60 A15 SPF 000)
Part no.: 3201919

Mounting accessories for EDS 300 and ETS 300:



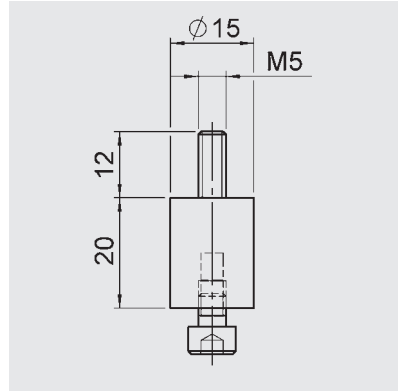
ZBM 300
Clamp for wall-mounting – screw-type fitting –
(Material polypropylene)
Part no.: 906385



ZBM 310
Clamp for wall-mounting – weld-type fitting –
(Material polypropylene, aluminium AISi12, steel)
Part no.: 6011511

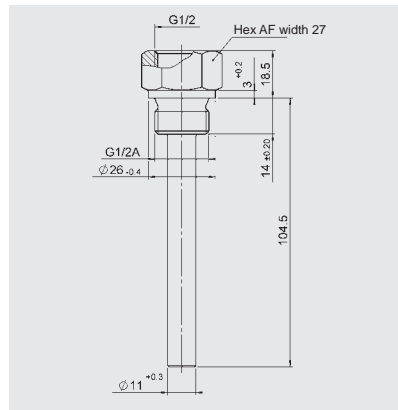


Mounting accessories for EDS 1700 and ETS 1700:



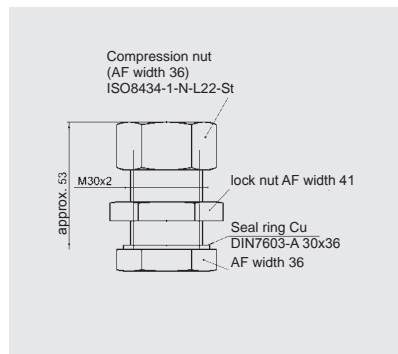
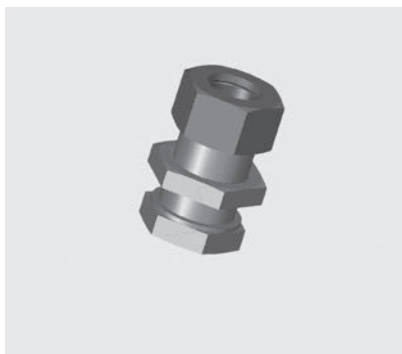
Vibration mounts
Part no.: 257492

Installation accessories for ETS 3000 (100 mm):

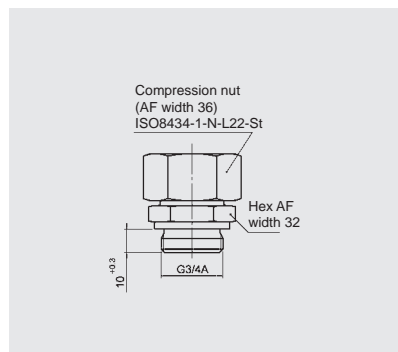


Protective sleeve for tank installation
(Material CuZn39Pb3 - DIN 1763, electro-nickel-plated)
Part no.: 909640

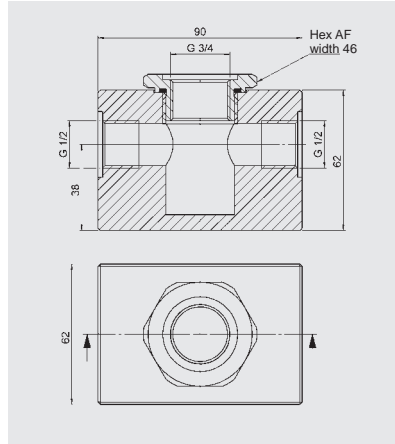
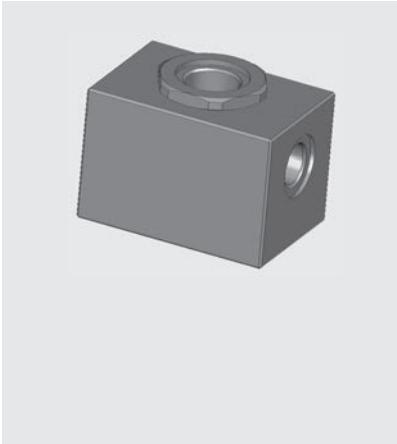
Connection accessories for ENS 3000:



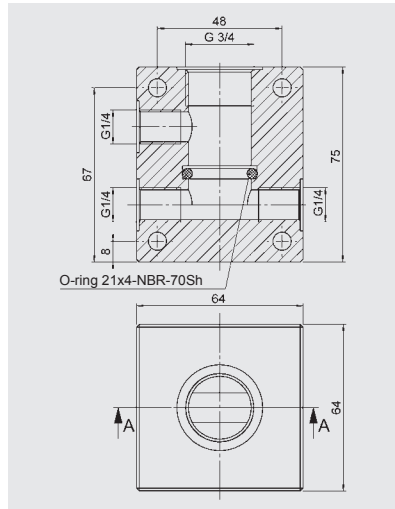
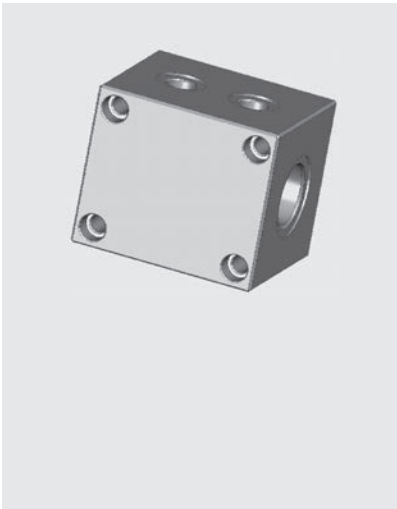
ZBM 19
Straight bulkhead connection acc. to ISO 8434
Part no.: 908738
Note: Not suitable for ENS with 250 mm rod length



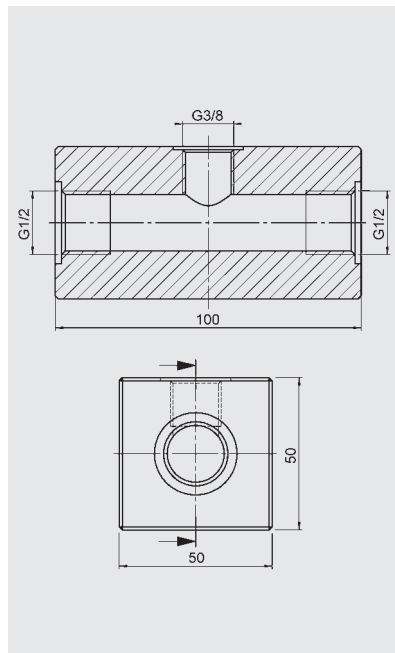
ZBM 20
Straight male stud coupling acc. to ISO 8434
Part no.: 908739

**Connection accessories for
HLB 1400:**


ZBM 21 (Flow)
Mounting block
for flow rates > 2 l/min
Part no.: 3244260



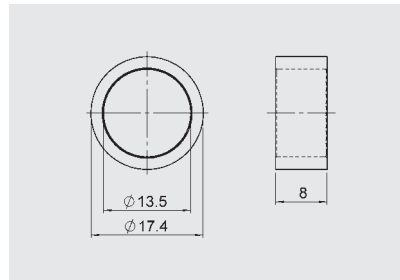
ZBM 23 (Low Flow)
Mounting block
for flow rates from 0.5 .. 10 l/min
Part no.: 3299331

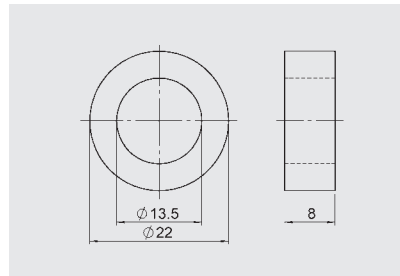
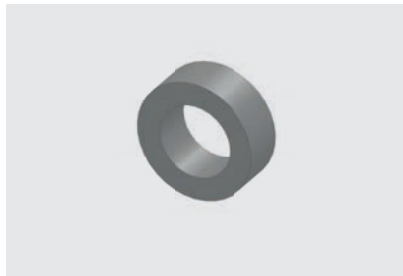
**Connection accessories for
AS 1000 and AS 3000:**


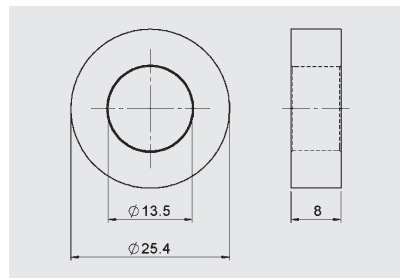
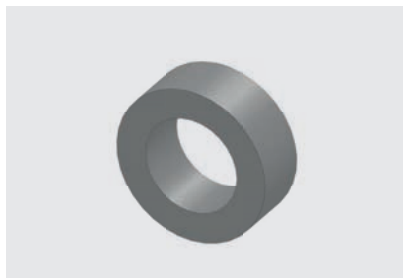
ZBM 22
Mounting block for AquaSensor
Part no.: 3248511

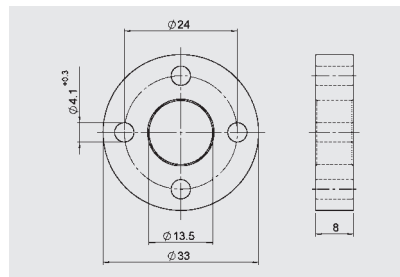
Distance and position sensor accessories
Magnets for HLT 700, HLT 1000 and HLT 2000:

Distance sensors	Magnets								
	ZBL MR17.4	ZBL MR22	ZBL MR 25.4	ZBL MR 33	ZBL MR-HLT700	ZBL MF38-18	ZBL MU38-20	ZBL MV63	ZBL MVS35-39
HLT 1100	✓	✓	✓	✓			✓	✓	
HLT 2100	✓	✓	✓	✓			✓	✓	
HLT 2102/3	✓	✓	✓	✓			✓	✓	
HLT 2150	✓	✓	✓	✓			✓	✓	
HLT 2500-F1						✓			
HLT 2500-L2							✓	✓	✓
HLT 2550							✓	✓	✓
HLT 700					✓				

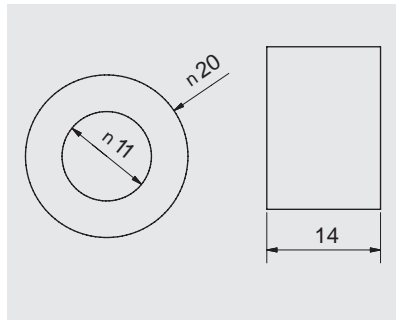
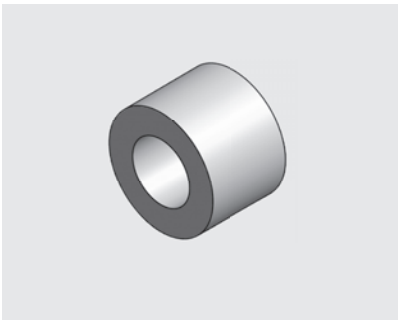

ZBL MR17.4

 Position magnet for HLT 1x00 and HLT 21xx
 Part no.: 6119372

ZBL MR22

 Position magnet for HLT 1x00 and HLT 21xx
 Part no.: 6084453

ZBL MR25.4

 Position magnet for HLT 1x00 and HLT 21xx
 Part no.: 6141689

ZBL MR33

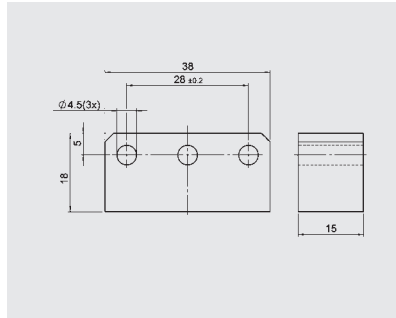
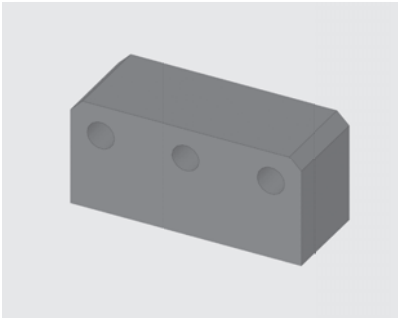
 Position magnet for HLT 1x00 and HLT 21xx
 Part no.: 6084207



ZBL MR-HLT700

Position magnet for HLT 700

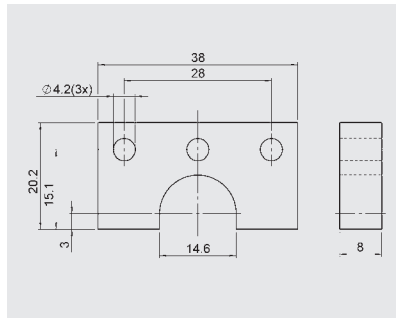
Part no.: 4105026



ZBL MF38-18

Position magnet for HLT 2500-F1

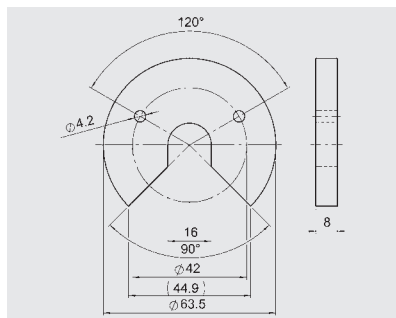
Part no.: 6084456



ZBL MU38-20

Position magnet for HLT 1x00, HLT 21xx and HLT 25xx-L2

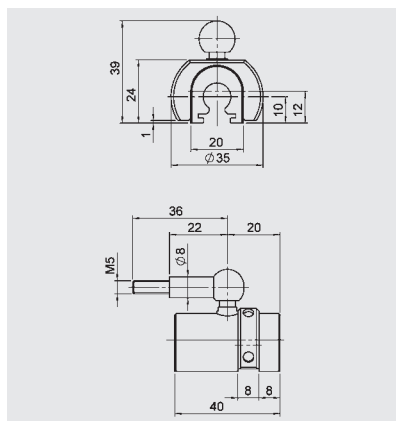
Part no.: 6084455



ZBL MV63

Position magnet for HLT 1x00, HLT 21xx and HLT 25xx-L2

Part no.: 6084454



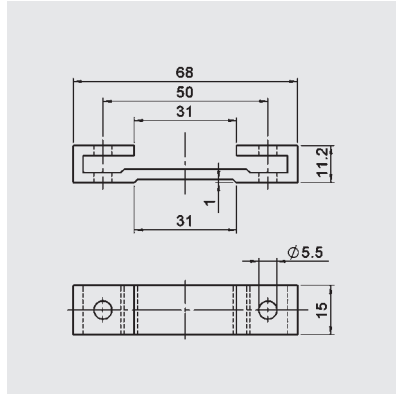
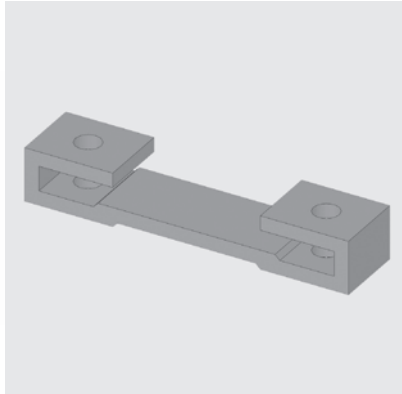
ZBL MVS35-39

Magnet slide for HLT 25xx-L2

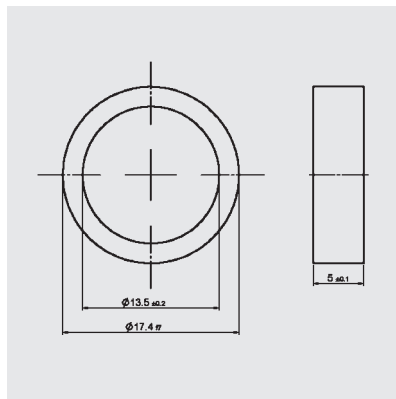
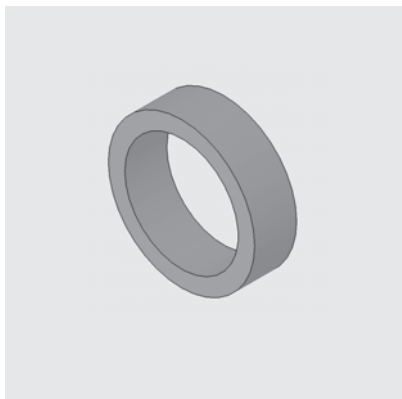
Part no.: 6105654



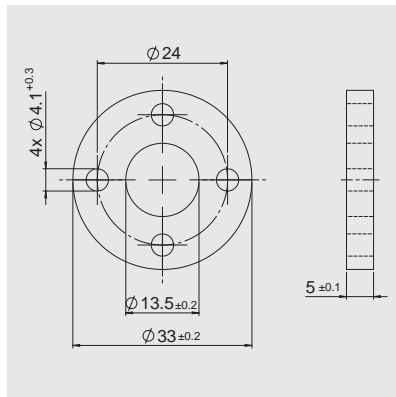
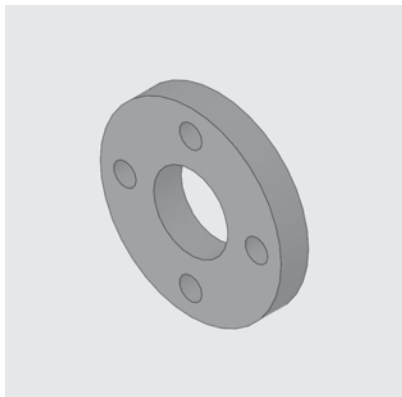
Mounting and installation accessories for HLT 2000:



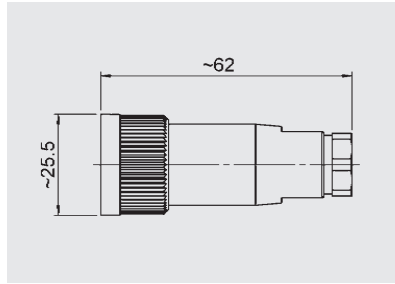
Mounting kit
for HLT 25xx
Part no.: 6105653



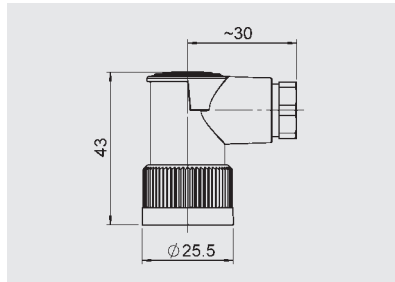
Intermediate ring AD17.4xID13.5x5
for HLT 21xx
Part no.: 3903233



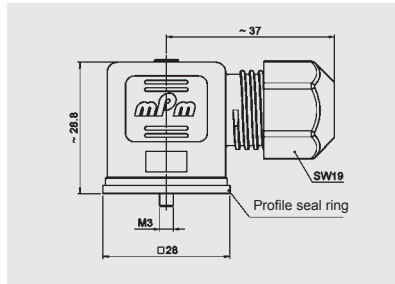
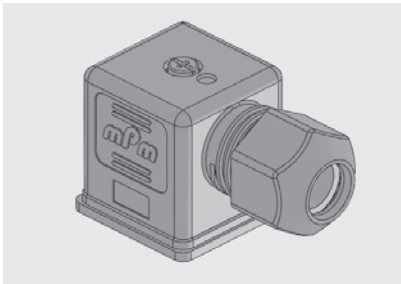
Intermediate ring AD33xID13.5x5
for HLT 25xx
Part no.: 3887829

Electrical connection
For electrical connection code "4" (Binder series 714 M18):

ZBE 02

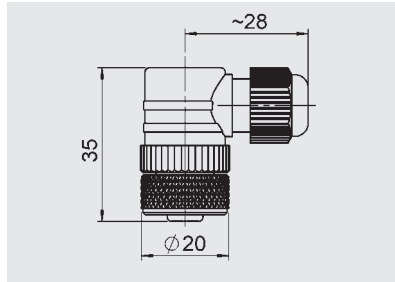
Mating connector, Binder series 714 M18
4 pole, straight
Cable diameter: 6.5 .. 8 mm
Part no.: 609479


ZBE 03

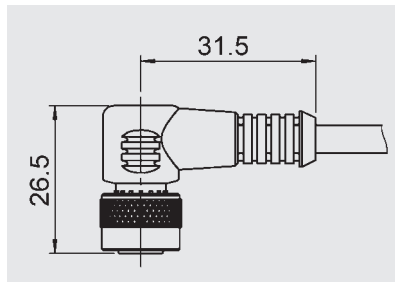
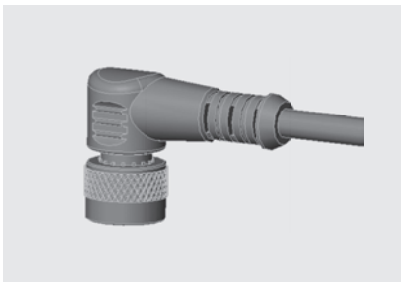
Mating connector, Binder series 714 M18
4 pole, right-angle
Cable diameter: 6.5 .. 8 mm
Part no.: 609480

For electrical connection code "5" (male EN 175301-803):

ZBE 01

Mating connector
EN175301-803
3 pole + PE, right-angle
Cable diameter: 4.5 .. 7 mm
Part no.: 905701

For electrical connection code "6" and "006" (male M12x1, 4 pole):

ZBE 06

Mating connector M12x1
4 pole, right-angle
Cable diameter: 2.5 .. 6.5 mm
Part no.: 6006788

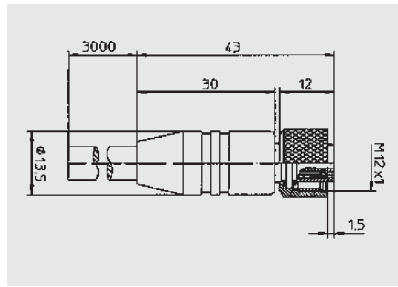
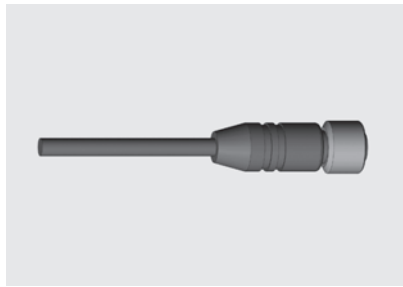

ZBE 06-02

Mating connector M12x1
4 pole, right-angle
with 2 m cable
Part no.: 6006790

ZBE 06-05

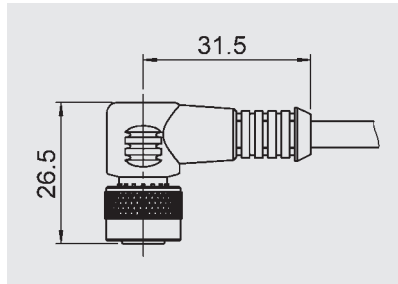
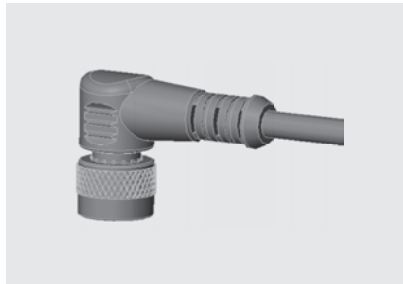
Mating connector M12x1
4 pole, right-angle
with 5 m cable
Part no.: 6006789

Colour code	
Pin 1	brown
Pin 2	white
Pin 3	blue
Pin 4	black

**ZBE 06S-03**

Mating connector M12x1
4 pole, straight
with 3 m cable, shielded

Part no.: 6098243

**ZBE 06S-05**

Mating connector M12x1
4 pole, straight
with 5 m cable, shielded

Part no.: 6143284

ZBE 06S-05

Mating connector M12x1
4 pole, right-angle
with 5 m cable, shielded

Part no.: 6044891

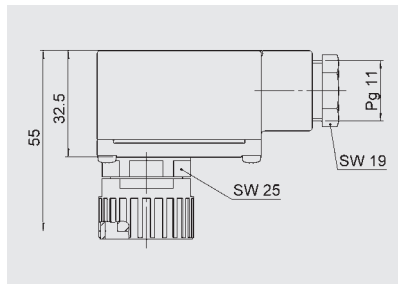
Colour code

Pin 1 brown

Pin 2 white

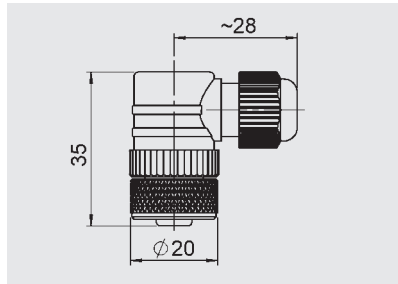
Pin 3 blue

Pin 4 black

For electrical connection code "7" (male DIN EN 175201-804):**ZBE 10**

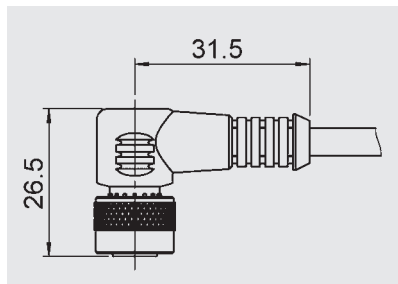
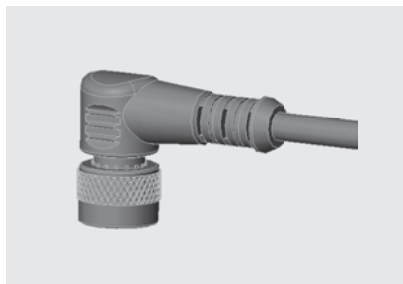
Mating connector DIN EN 175201-804
6 pole + PE, right-angle
Cable diameter: 7 .. 9 mm

Part no.: 654527

For electrical connection code "8", "008" and "C61" (male M12x1, 5 pole):**ZBE 08**

Mating connector M12x1
5 pole, right-angle
Cable diameter: 2.5 .. 6.5 mm

Part no.: 6006786

**ZBE 08-02**

Mating connector M12x1
5 pole, right-angle
with 2 m cable

Part no.: 6006792

ZBE 08-05

Mating connector M12x1
5 pole, right-angle
with 5 m cable

Part no.: 6006791

Colour code

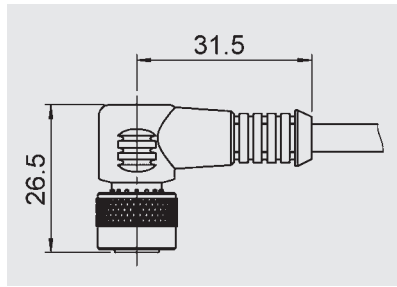
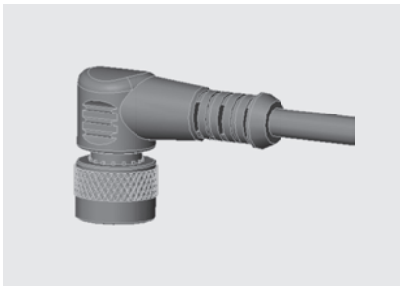
Pin 1 brown

Pin 2 white

Pin 3 blue

Pin 4 black

Pin 5 grey


ZBE 08S-02

Mating connector M12x1
5 pole, right-angle
with 2 m cable, shielded

Part no.: 6019455

ZBE 08S-05

Mating connector M12x1
5 pole, right-angle
with 5 m cable, shielded

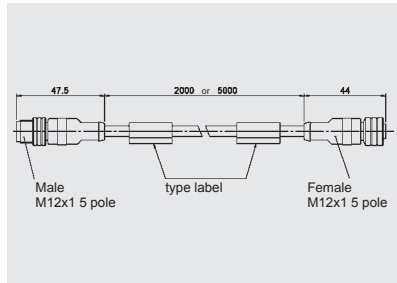
Part no.: 6019456

ZBE 08S-10

Mating connector M12x1
5 pole, right-angle
with 10 m cable, shielded

Part no.: 6023102

	Colour code
Pin 1	brown
Pin 2	white
Pin 3	blue
Pin 4	black
Pin 5	grey


ZBE 30-02

Connection cable M12x1
male/female
5 pole, 2 m

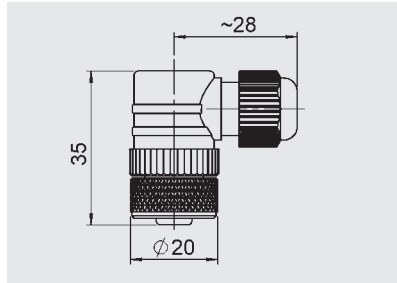
Part no.: 6040851

ZBE 30-05

Connection cable M12x1
male/female
5 pole, 5 m

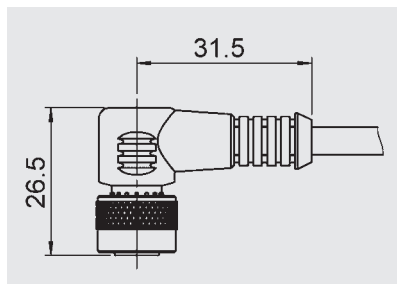
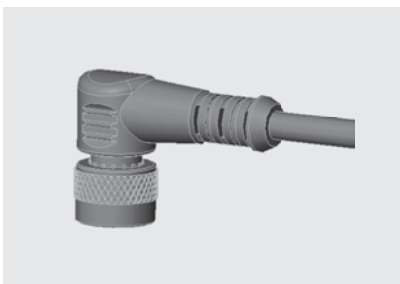
Part no.: 6040852

For electrical connection code "P" and "00P" (male M12x1, 8 pole):


ZBE 0P

Mating connector M12x1
8 pole, right-angle
Cable diameter: 4 .. 8 mm

Part no.: 6055444


ZBE 0P-02

Mating connector M12x1
8 pole, right-angle
with 2 m cable

Part no.: 6052697

ZBE 0P-05

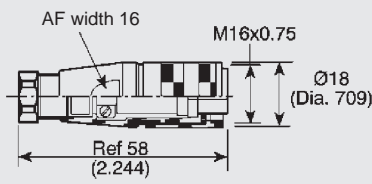
Mating connector M12x1
8 pole, right-angle
with 5 m cable

Part no.: 6052698

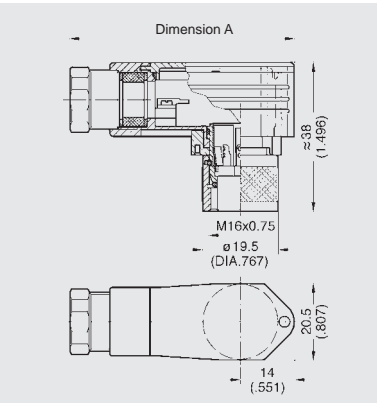
	Colour code
Pin 1	white
Pin 2	brown
Pin 3	green
Pin 4	yellow
Pin 5	grey
Pin 6	pink
Pin 7	blue
Pin 8	red



For electrical connection code "M06" (male M16, 6 pole):

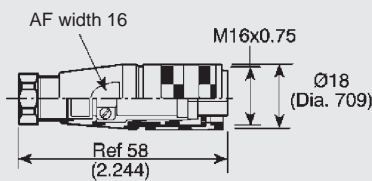


Mating connector C091,
6 pole, straight
Part no.: 654653

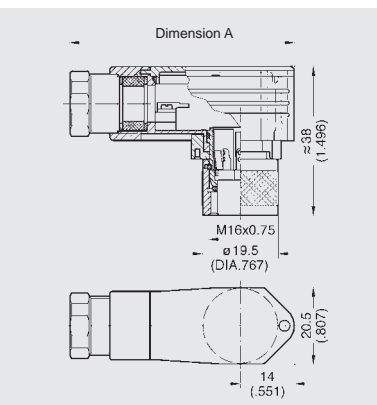


Mating connector C091,
6 pole, right angle
Part no.: 6174764

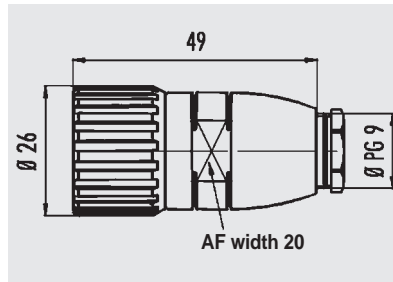
For electrical connection code "M08" (male M16, 8 pole):



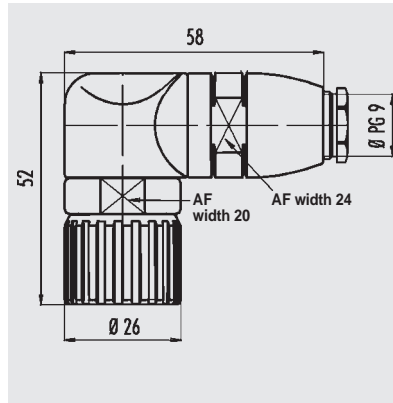
Mating connector C091,
8 pole, straight
Part no.: 6123255



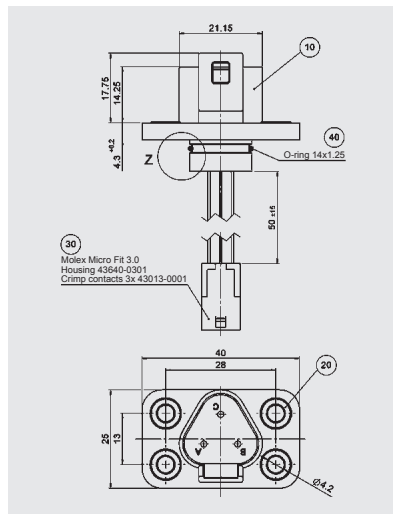
Mating connector C091,
8 pole, right angle
Part no.: 6174765

For electrical connection code "S00" (CONTACT male connector, 12 pole):


Cable connector M23,
12 pole, straight
Part no.: 6120462



Cable connector M23,
12 pole, right-angle
Part no.: 6120463

For electrical connection code "M06", "M08" and "M24" (separate male connector Molex, 3 pole) for HLT 724 and HLT 1100:


ZBE 50
Male flange connector DT04,
3 pole Molex
Part no.: 4143770

Pin assignment:

DT04	Molex
A	1
B	2
C	3



Note:

The information in this brochure relates to the operating conditions and applications described.

For applications or operating conditions not described, please contact the relevant technical department.

Subject to technical modifications.

HYDAC ELECTRONIC GMBH
Hauptstr. 27, 66128 Saarbrücken
Germany
Telephone +49 (0)6897 509-01
Fax +49 (0)6897 509-1726
e-mail: electronic@hydac.com
Internet: www.hydac.com