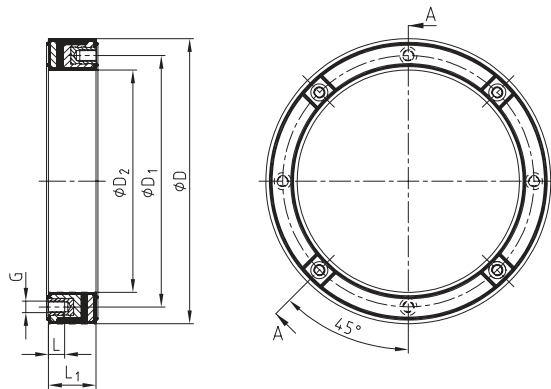
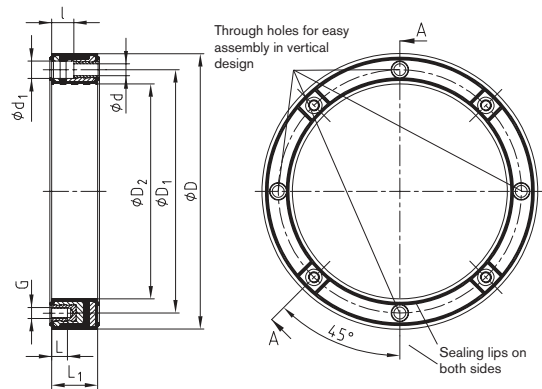


## DAMPING ELEMENTS HYDRAULIC COMPONENTS

### Damping rings type DT / DT.../2 and DTSV/ DTSV.../2

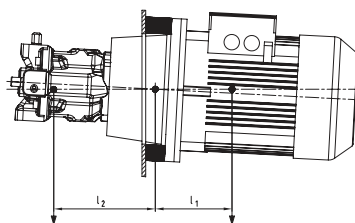

**Damping ring type DT**

**Damping ring type DT.../2**  
(not suitable for lateral installation of tank)

**Damping ring type DT and DTV\***

IEC motor size	Damping ring size	Dimensions [mm]									Screw tightening torque [Nm]
		D	D <sub>1</sub>	D <sub>2</sub>	z x G	L	L <sub>1</sub>	z x d	z x d <sub>1</sub>	l	
71	DTV* 160	160	130	111	4 x M8	16.5	35	4 x 9	4 x 14.5	18	12
80, 90S/90L	DT 200	200	165	145.2	4 x M10	20	40	4 x 11	4 x 17.5	20	23
100L/112M	DT 250	250	215	191	4 x M12	17.5	45	4 x 13	4 x 19.5	22	40
132S/132M	DT 300	300	265	235	4 x M12	17.5	50	4 x 13	4 x 19.5	24	40
160M/160L, 180M/180L	DT 350	350	300	261	4 x M16	31	60	4 x 17	4 x 25	26	100
200L	DT 400	400	350	301	4 x M16	31	70	4 x 17	4 x 25	31	100
225S/225M	DT 450	450	400	351	8 x M16	31	80	8 x 17	8 x 25	41	100
250M, 280S/280M	DT 550	550	500	451	8 x M16	30	68	8 x 17	8 x 25	23	210
315S/315M	DT 660	660	600	551	8 x M20	30	68	8 x 22	8 x 33	23	410
355	DTV* 800	800	740	681	8 x M20	25	71	-	-	-	410

\* Suitable for vertical assembly only!

**Damping ring DTSV for servo-hydraulic drives (for V1 design only)**

IEC motor size	Damping ring size	Dimensions [mm]									Screw tightening torque [Nm]
		D	D <sub>1</sub>	D <sub>2</sub>	z x G	L	L <sub>1</sub>	z x d	z x d <sub>1</sub>	l	
100L/112M	DTSV 250	250	215	191	4 x M12	17.5	45	4 x 13	4 x 19.5	22	79
132S/M	DTSV 300	300	265	235	4 x M12	17.5	50	4 x 13	4 x 19.5	24	79
160M/L - 180M/L	DTSV 350	350	300	261	4 x M16	31	60	4 x 17	4 x 25	26	195


**Permissible weight and bending load of damping rings  
considering an ambient temperature of +60 °C**

Size	DT 200	DT 250	DT 300	DT 350	DT 400	DT 450	DT 550	DT 660
F <sub>perm.</sub> [N]	370	720	1450	3600	4800	6600	13000	24000
M <sub>b perm.</sub> [Nm]	30	65	175	740	1100	1600	4400	9000

$$F_{perm.} \geq F_P + F_M$$

$$M_{b perm.} \geq F_M \cdot l_1 - F_P \cdot l_2$$

**Ordering  
example:**

DT	250
Damping ring	Size